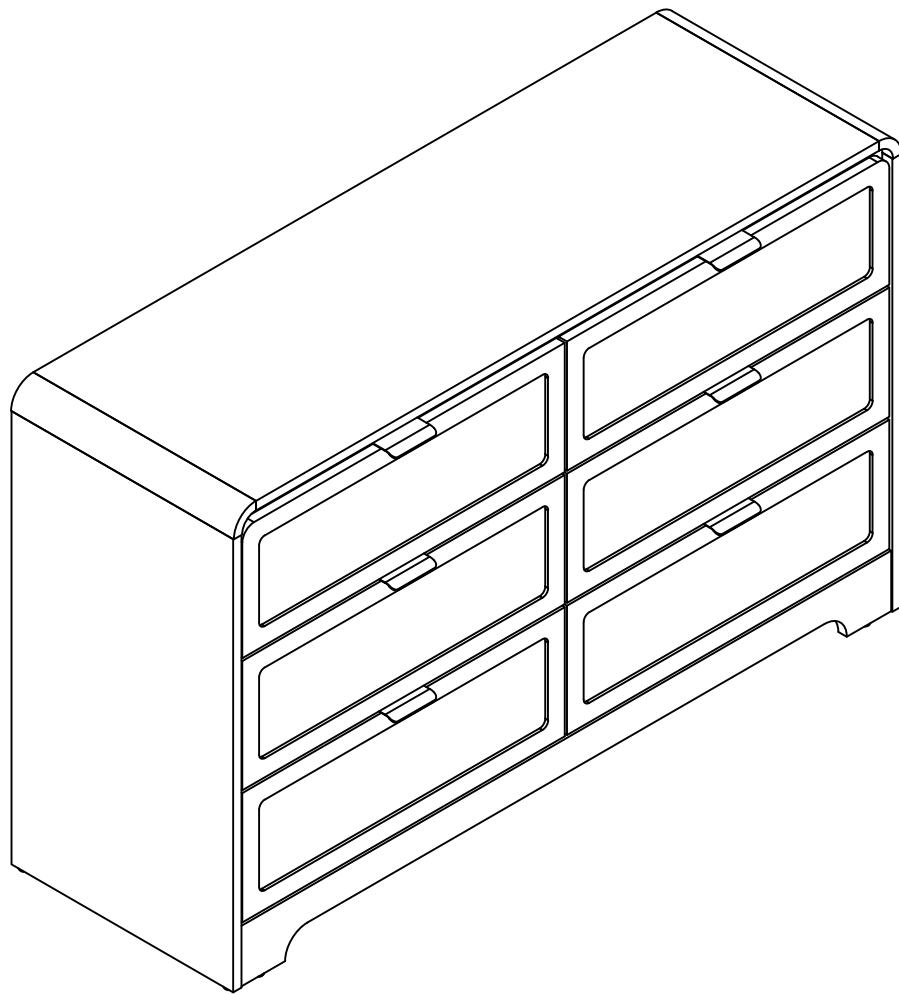
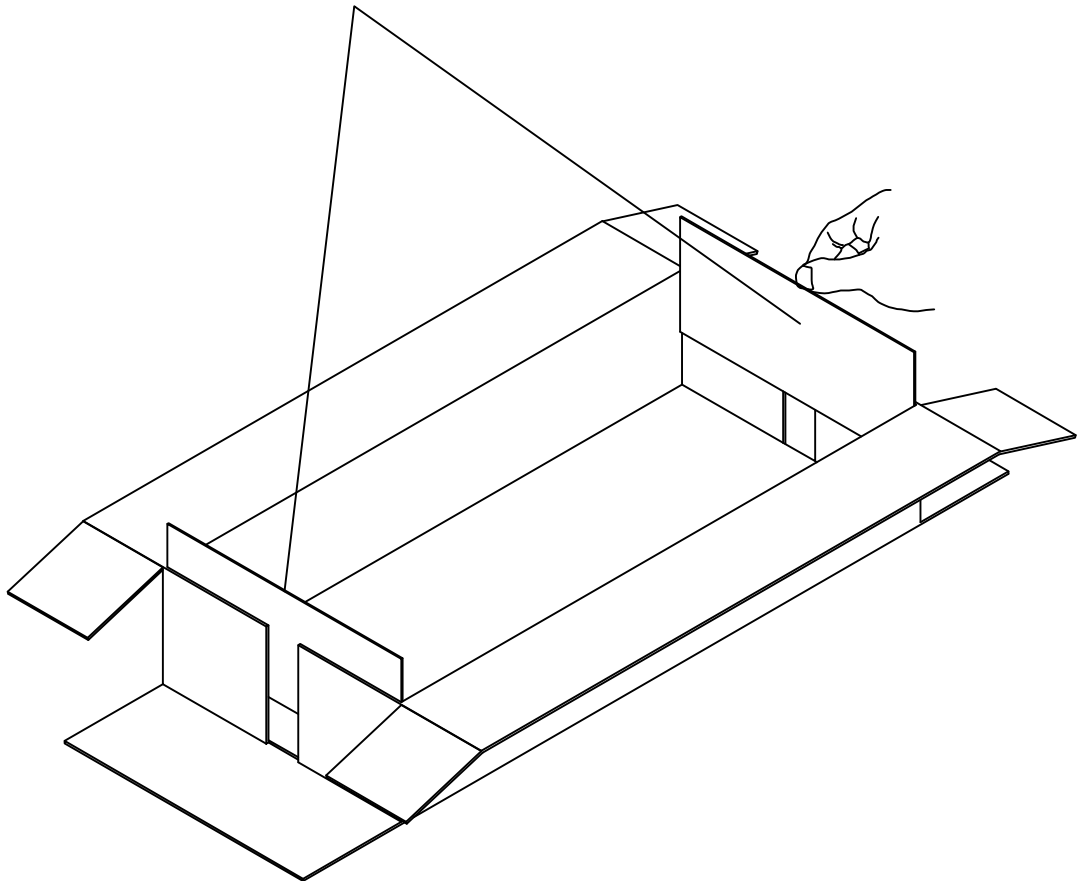


# Installation Instruction





The two panels on the left and right of the package are used to protect the product, you can just throw it away.

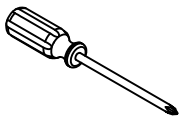


# Assembling

---

## What you need

- Use the packaging carton as a working surface to prevent product damage during assembly
- Phillips head screwdriver



---

## Weight Limitation



**100** | **35**  
lbs table top | lbs per

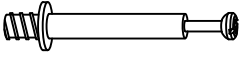
# What' included

---

Code Description	Qty
A Cam Bolt M6X35MM	57
B Cam Lock 15X10MM	57
C Wooden Dowel M8X30MM	18
D Screw M4X40MM	34
E Screw M3.5X14MM	30
F Metal shake handhandle	6
G Metal connector	2
H Screw M3.0X14MM	48
I Self-adhesive hole sticker	57
J The back button	16
K Anchor	2
L MATS	6
M Adjustable foot pads	1
CL Left mother extended orbit	6
CR Right mother extended orbit	6
DL Left public extension track	6
DR Right public extends track	6

# The Hardwares

(A)



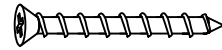
(B)



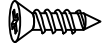
(C)



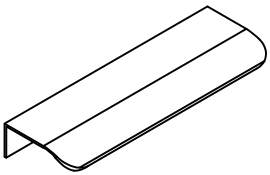
(D)



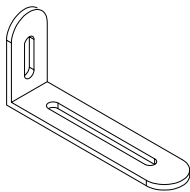
(E)



(F)



(G)



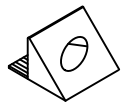
(H)



(I)



(J)



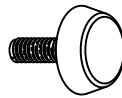
(K)



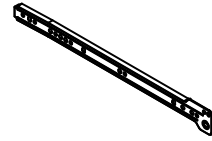
(L)



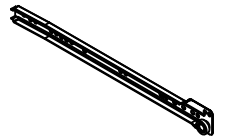
(M)



(CL)



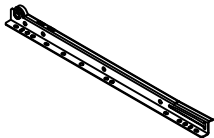
(CR)



(DL)



(DR)



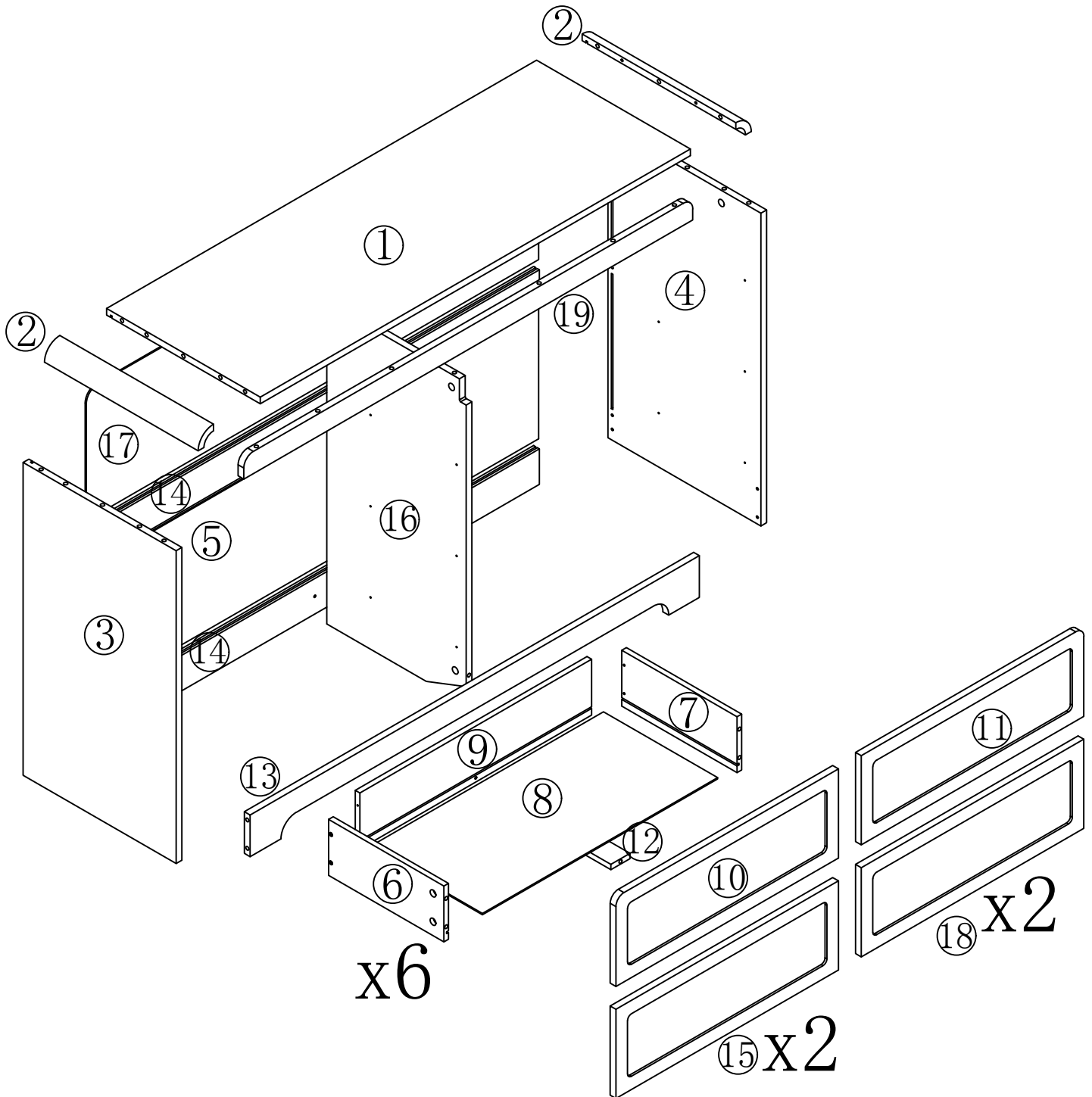
## IMPORTANT:

1. Do not tighten bolts / screws completely until all bolts / screws are lined up and inserted into holes.
2. Do not over tighten screws and bolts to avoid stripping
3. You can use a screwdriver. Power tools can also be used. (Be careful with power tools)

# Included Accessories

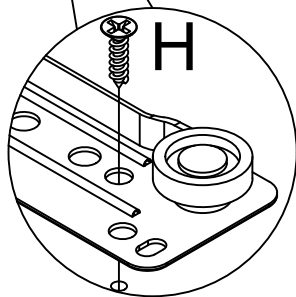
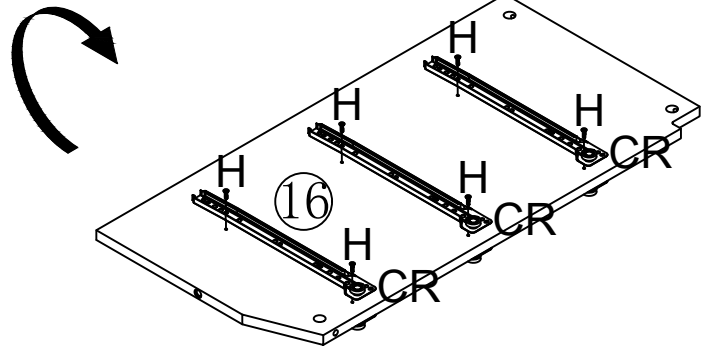
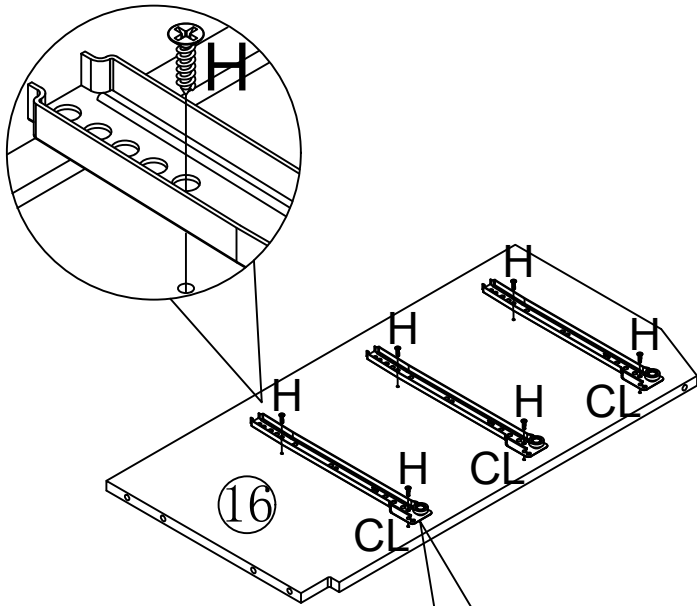
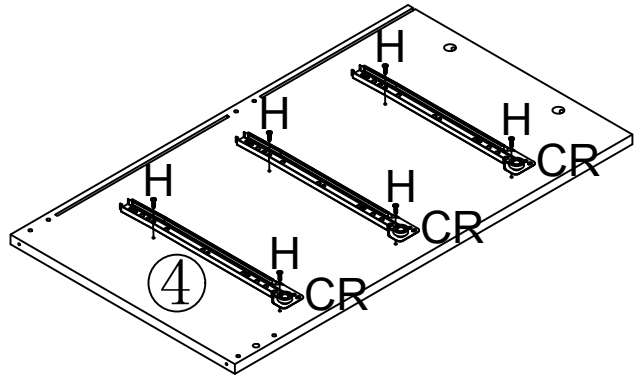
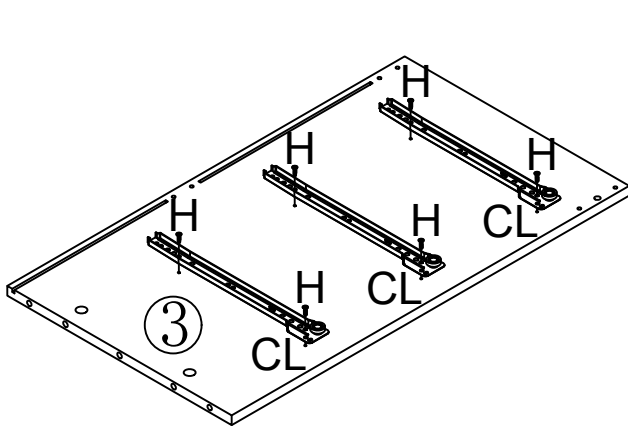
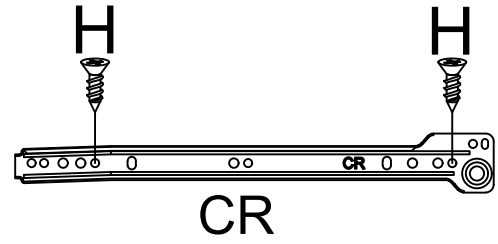
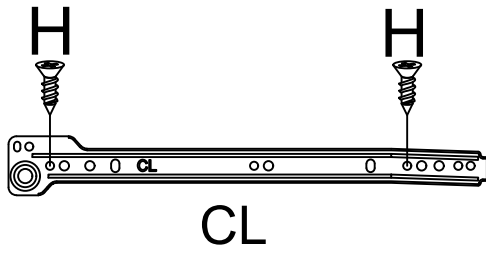
Code	Description	Qty
1	Cabinet Top	1
2	Arc connecting plate	2
3	Left Side Panel	1
4	Right Side Panel	1
5	Upper back plate	1
6	Drawer left panel	6
7	Drawer right side panel	6
8	The drawer bottom	6
9	After the drawer board	6
10	Upper left drawer panel	1
11	Upper right drawer panel	1
12	At the bottom of the drawer	6
13	Front Support Bar	1
14	After the gusset plates	2
15	Left middle lower drawer panel	2
16	Intermediate partition	1
17	below back plate	1
18	Right middle lower drawer panel	2
19	Panel reinforcing platel	1

# The Accessories

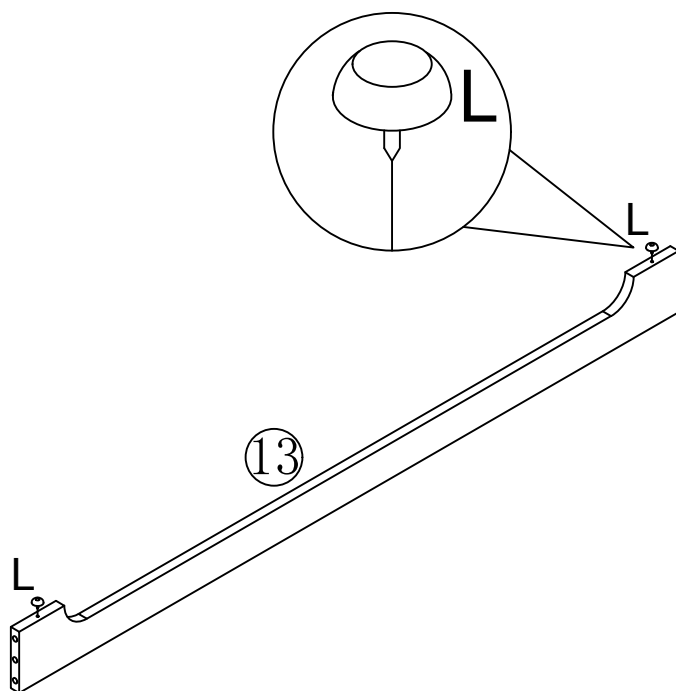
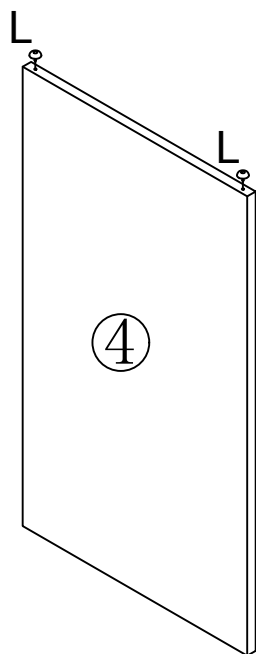
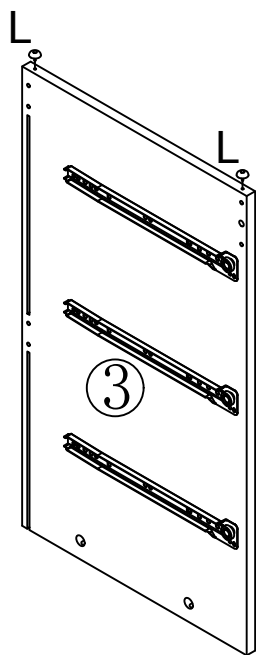
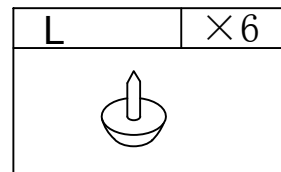


# Step 1

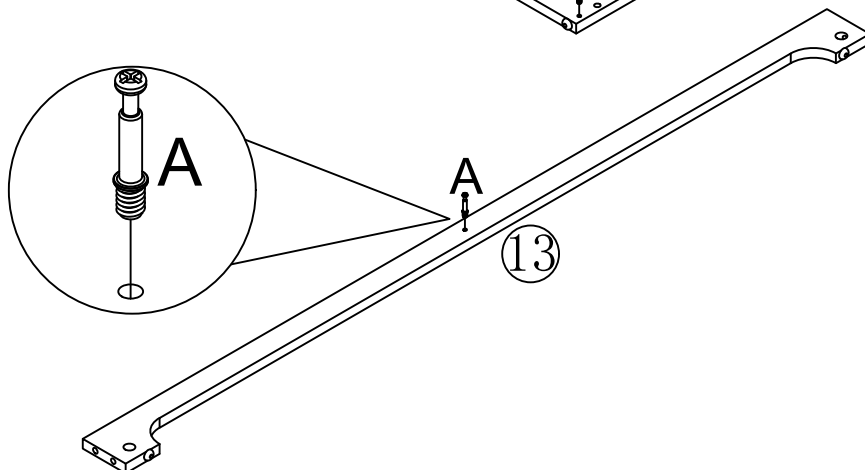
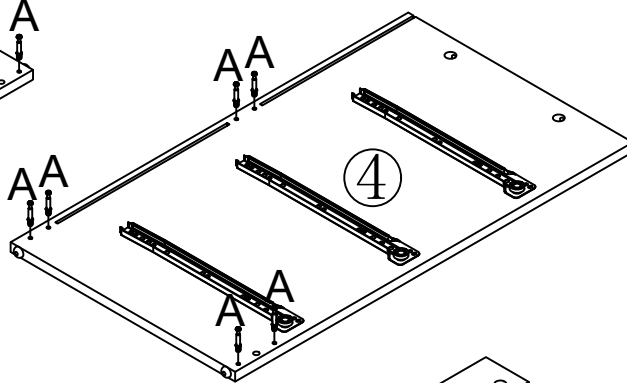
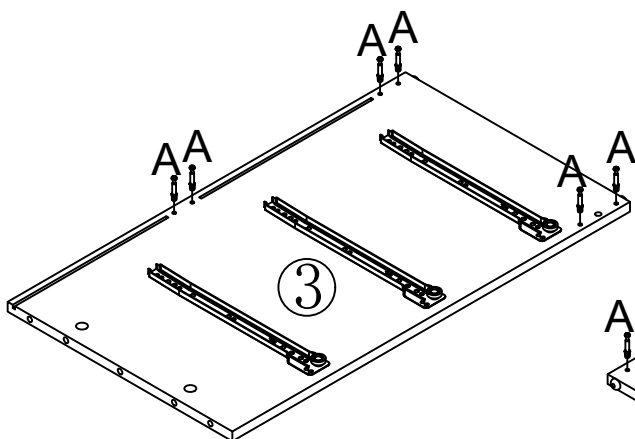
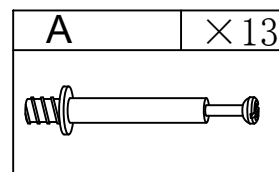
CL	×6	CR	×6	H	×24





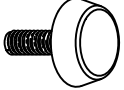
# Step 2

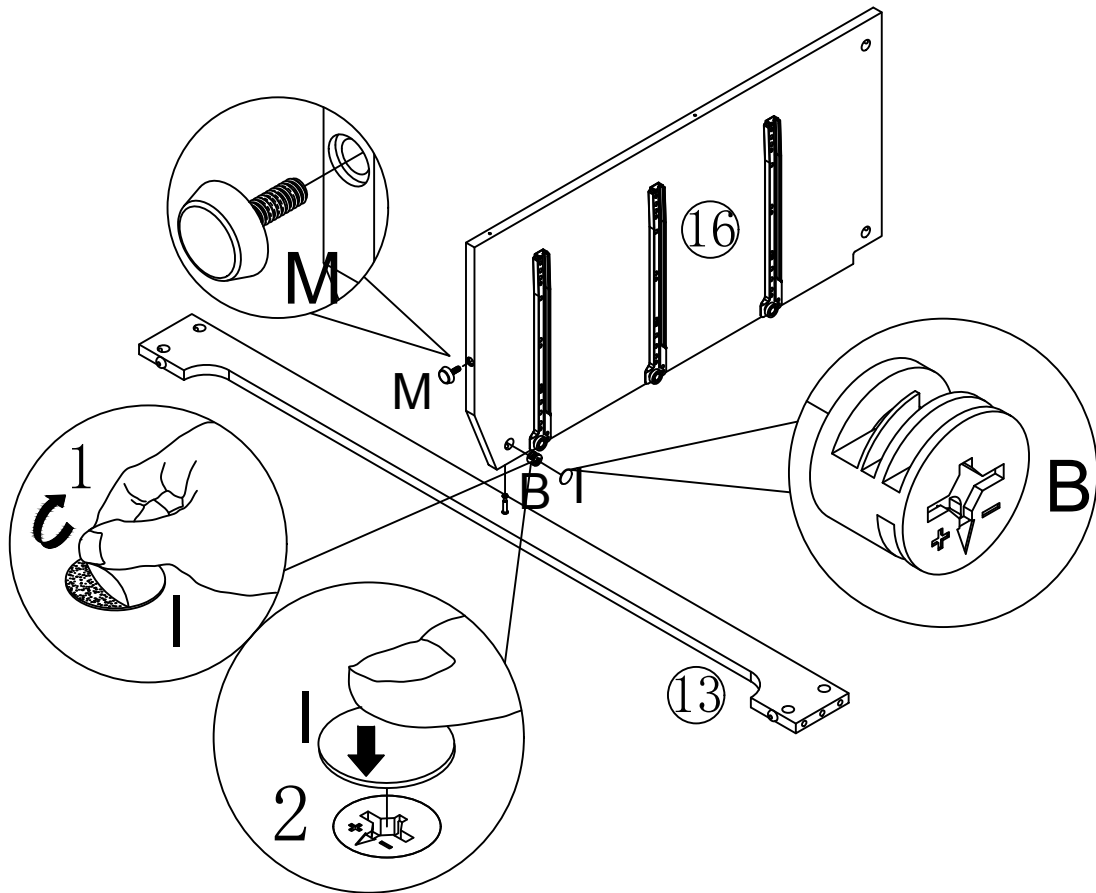


# Step 3

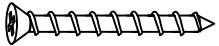


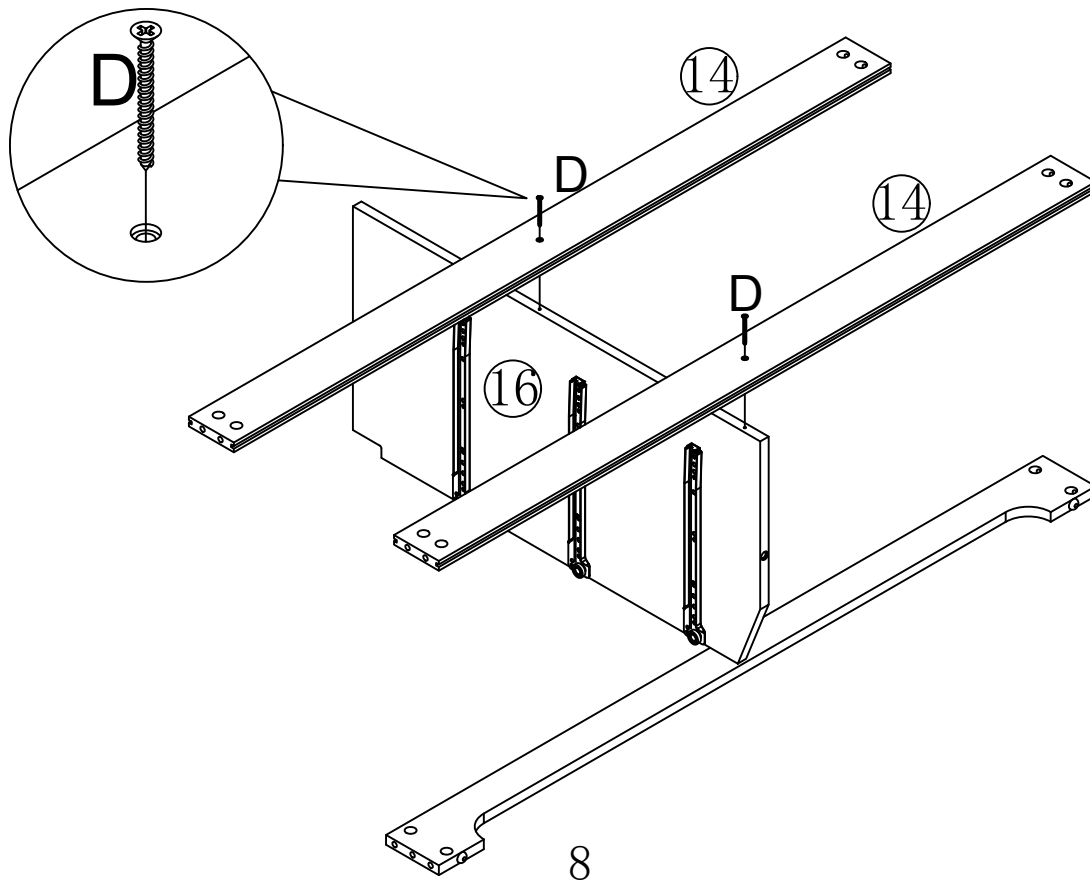
# Step 4

B	×1	I	×1	M	×1
					

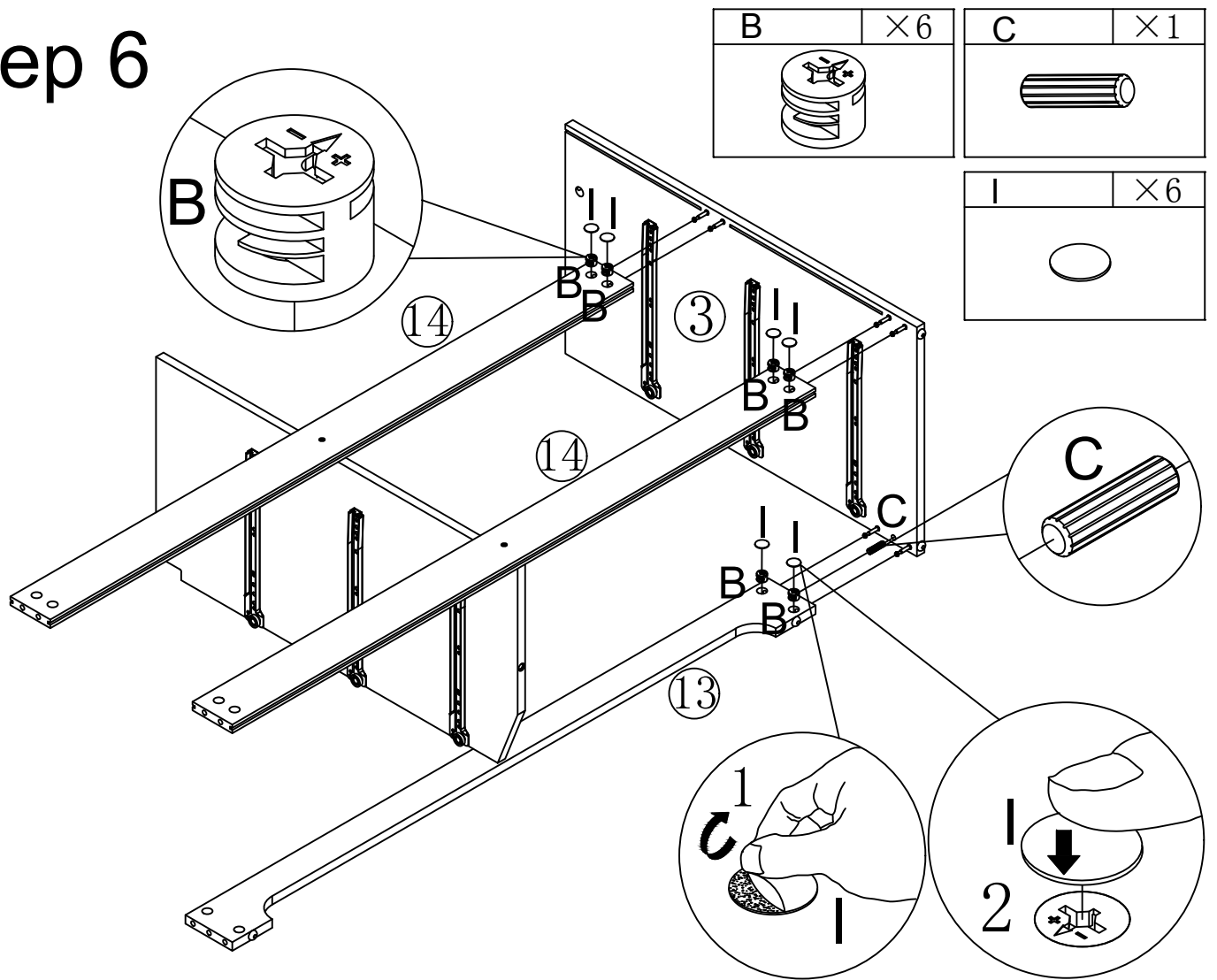


# Step 5

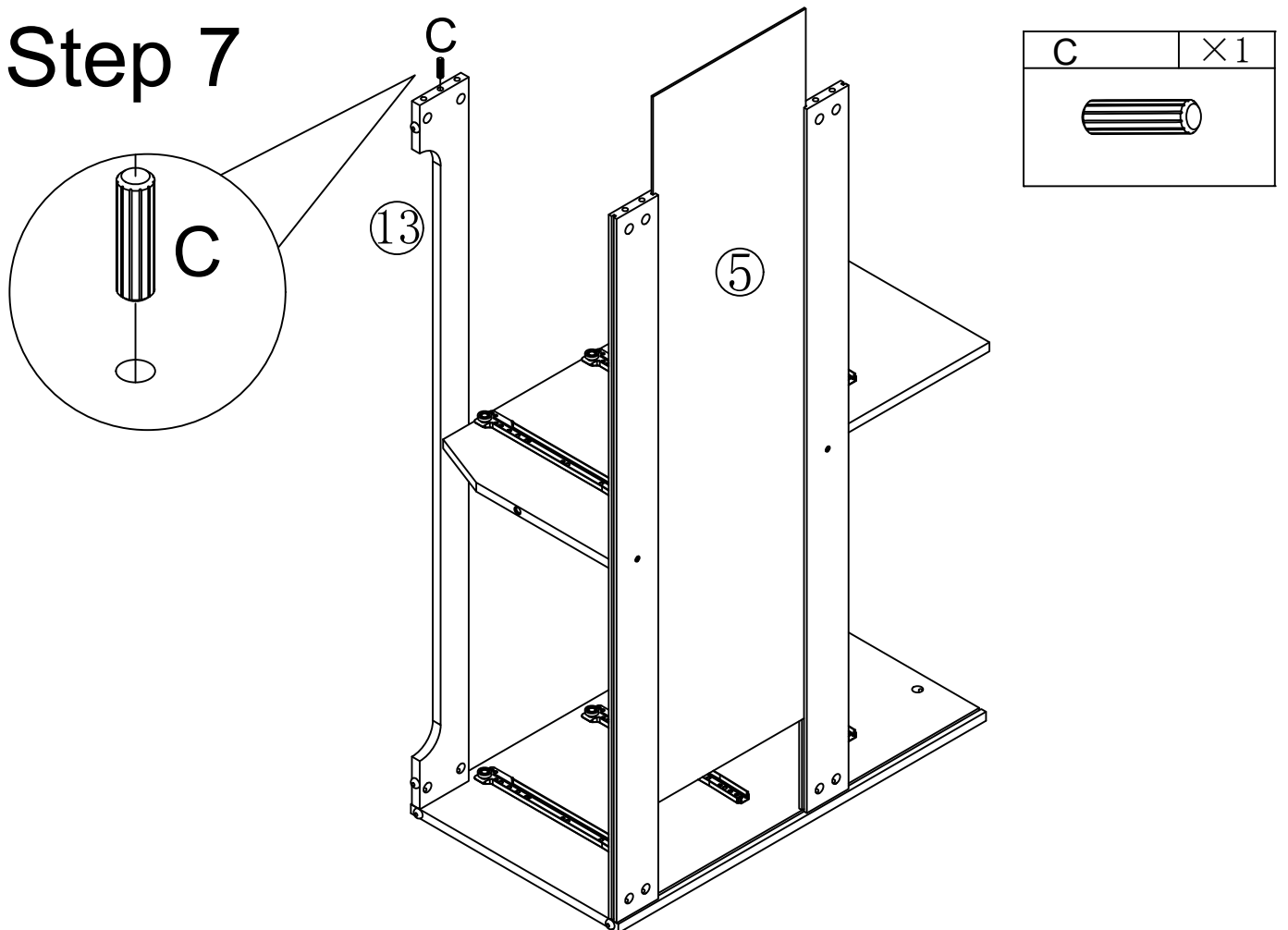
D	×2
	



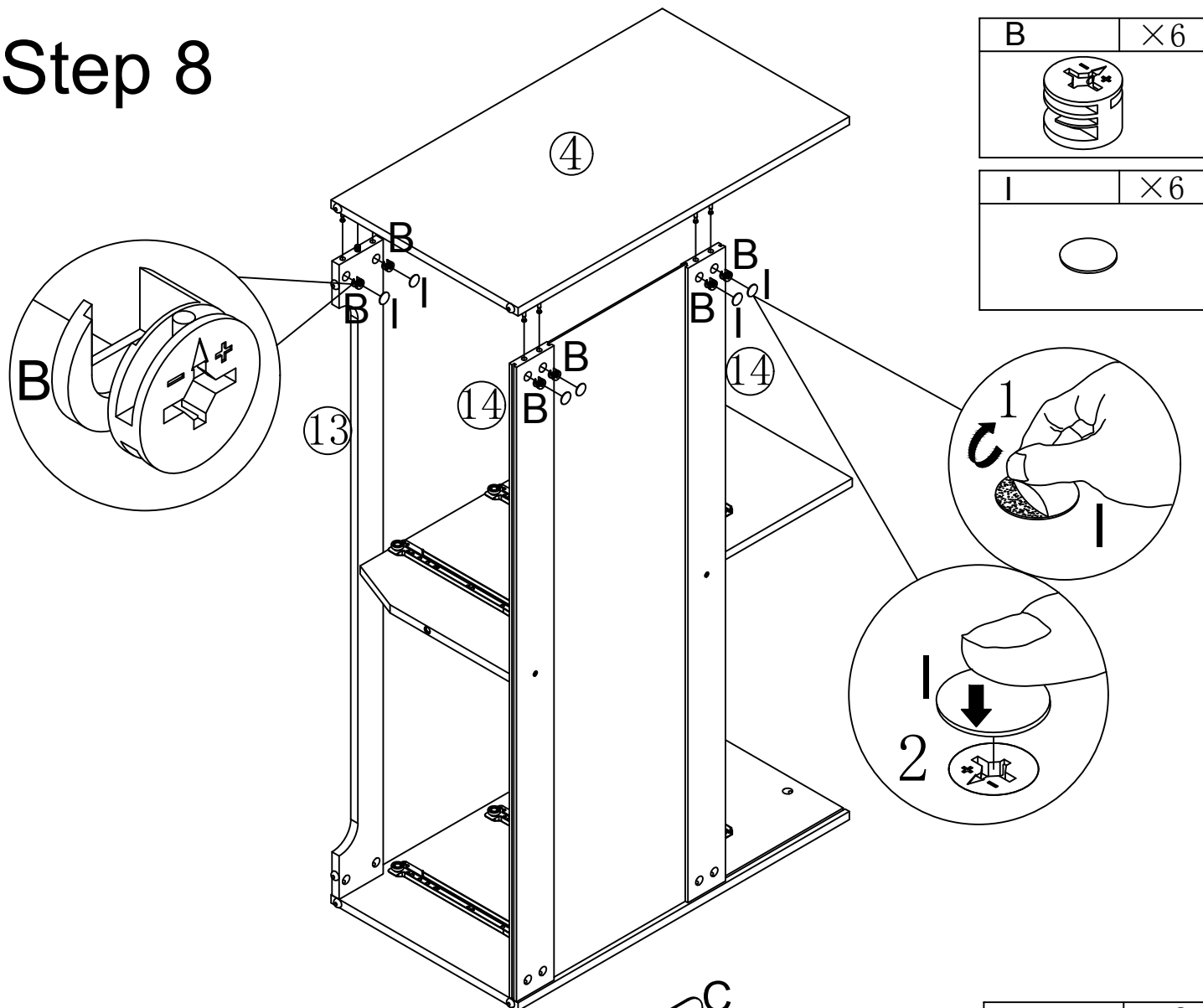
# Step 6



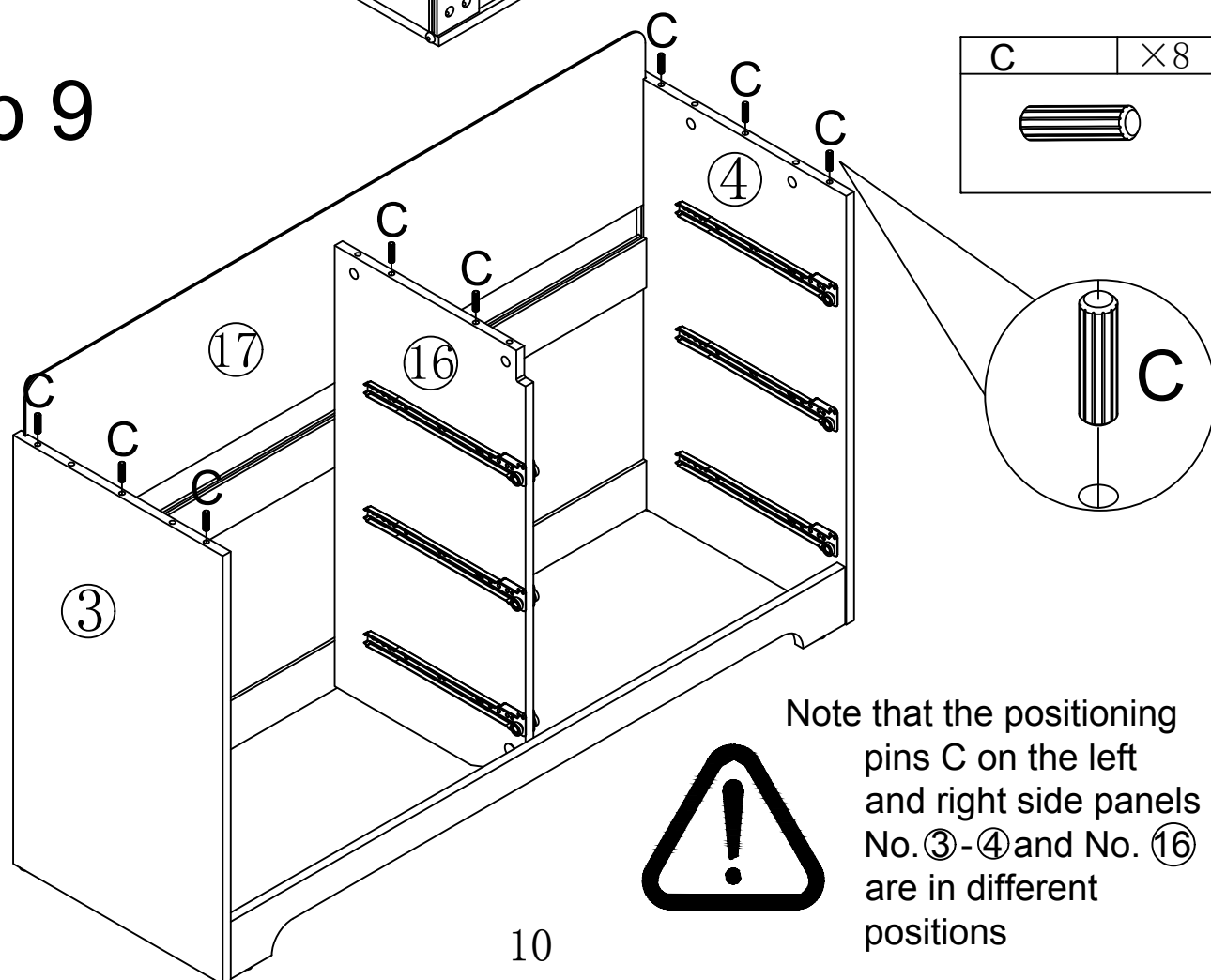
# Step 7



# Step 8



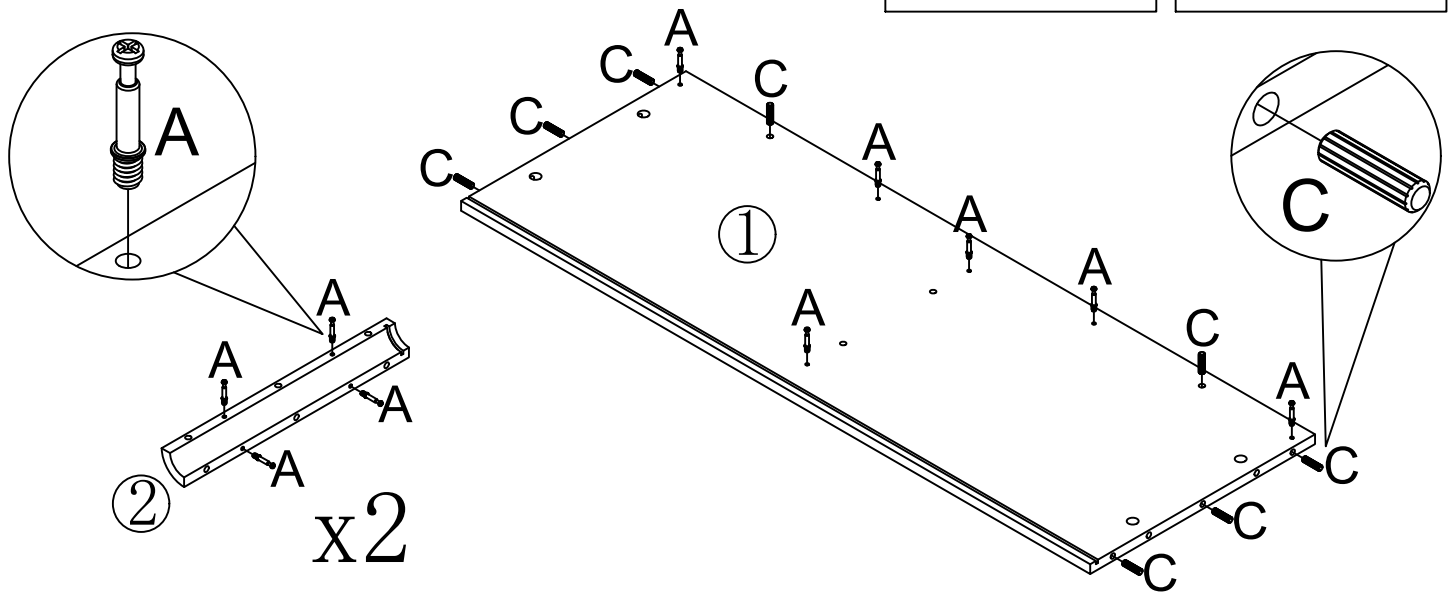
# Step 9



Note that the positioning pins C on the left and right side panels No. ③-④ and No. ⑬ are in different positions

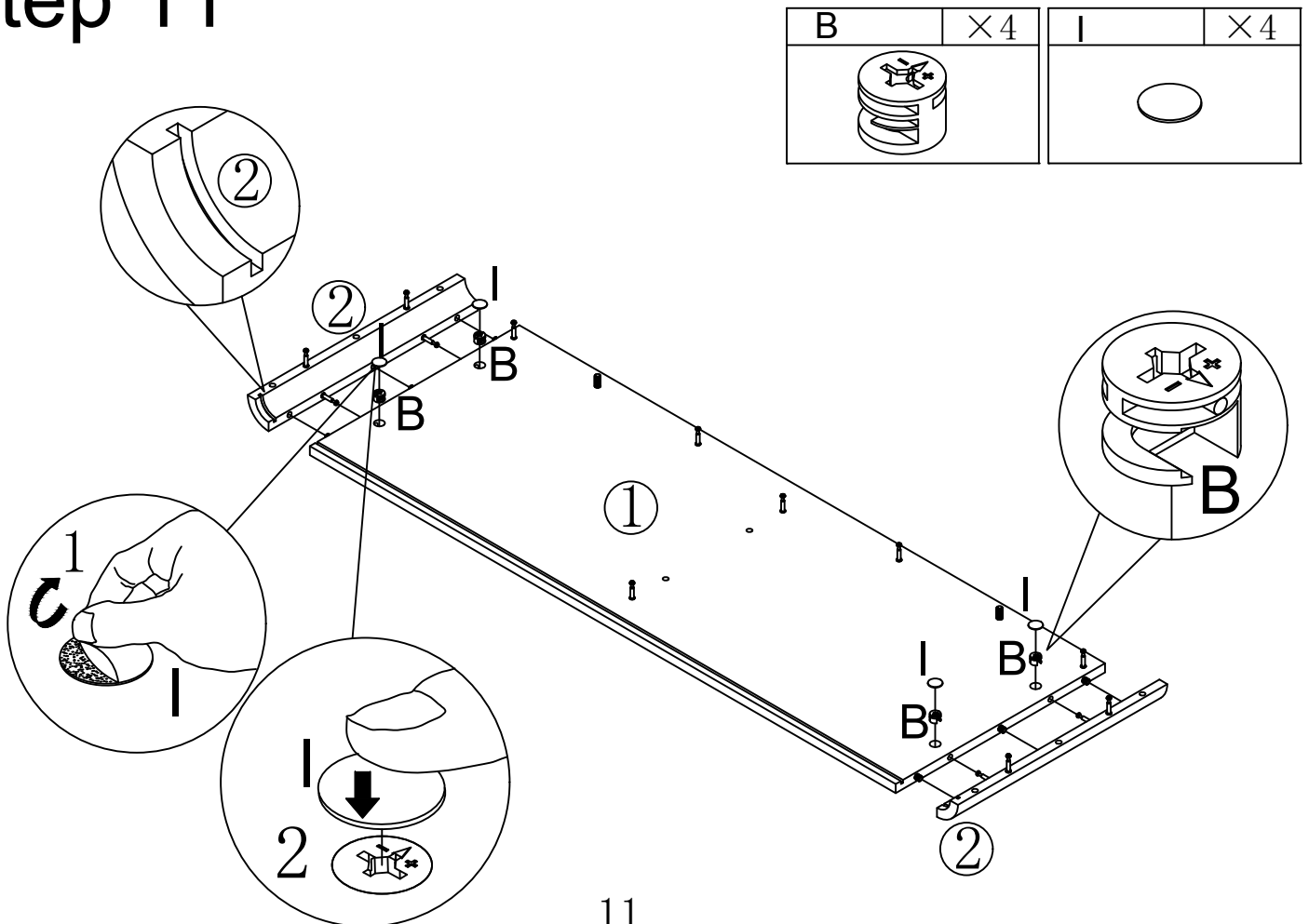


# Step 10

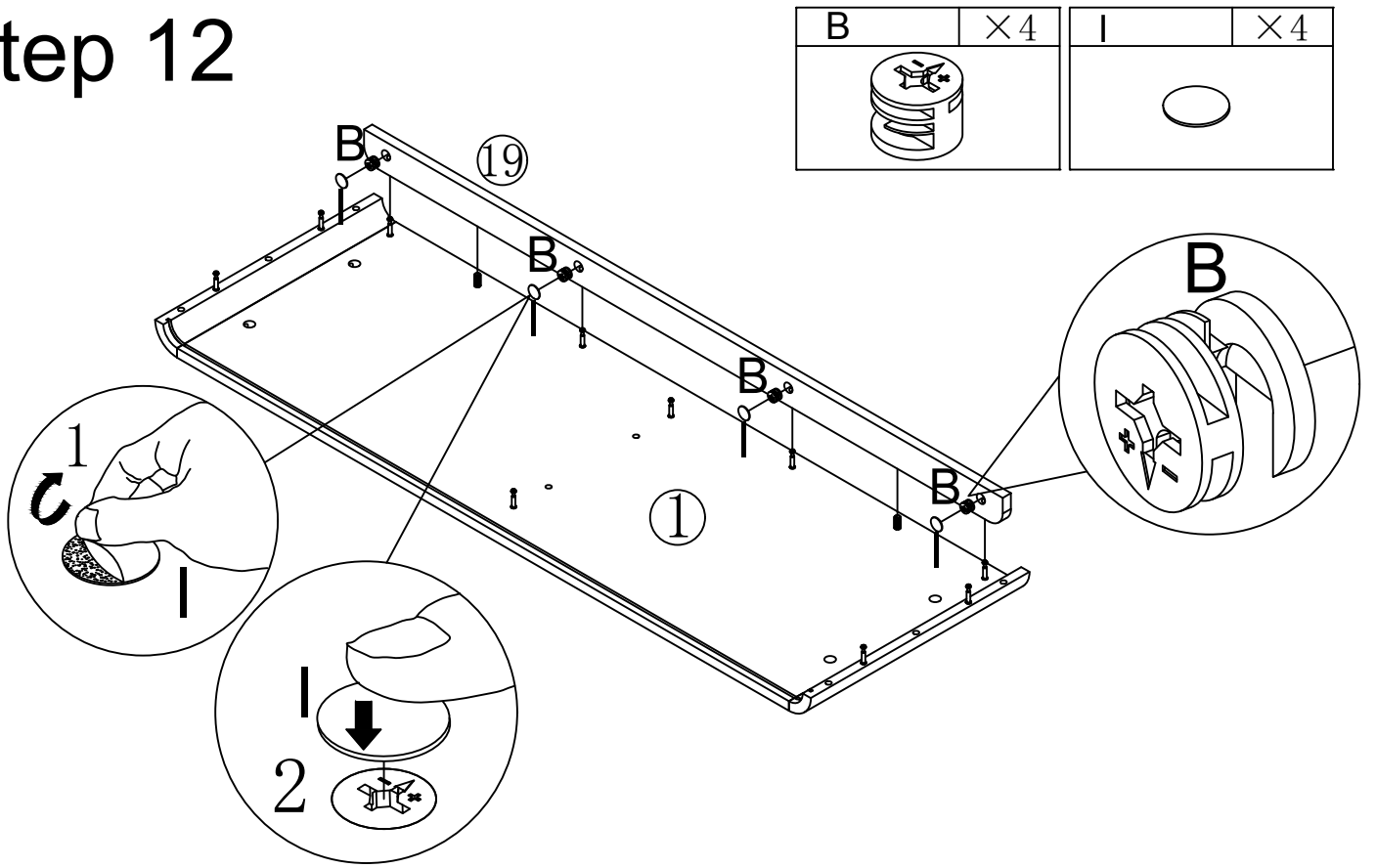


Note that when the No. 2 connecting plate is equipped with R Angle lock hardware A, it should be locked straight, not crooked, not very tight, and the normal lock is flat

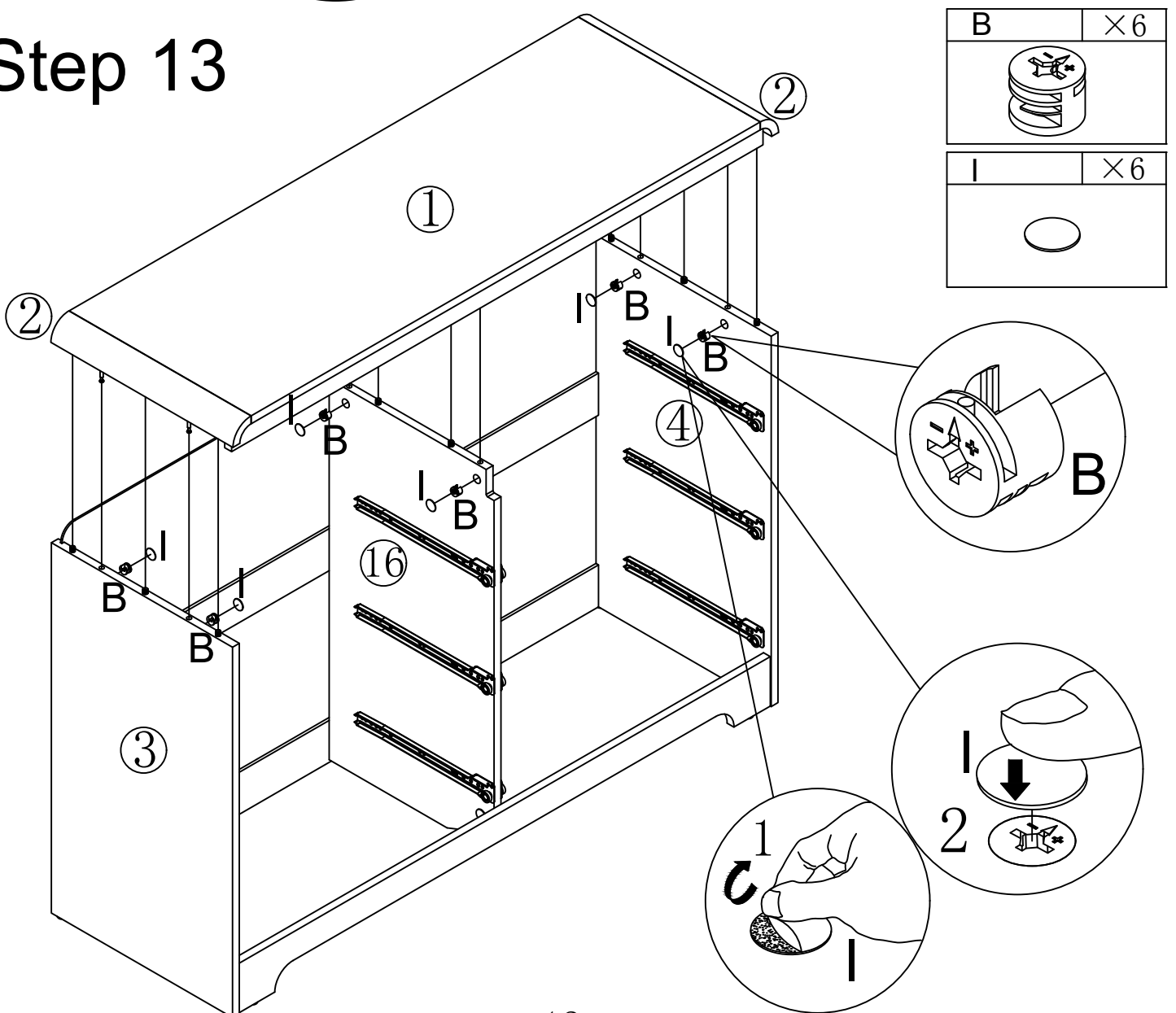
# Step 11



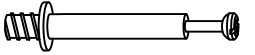
# Step 12

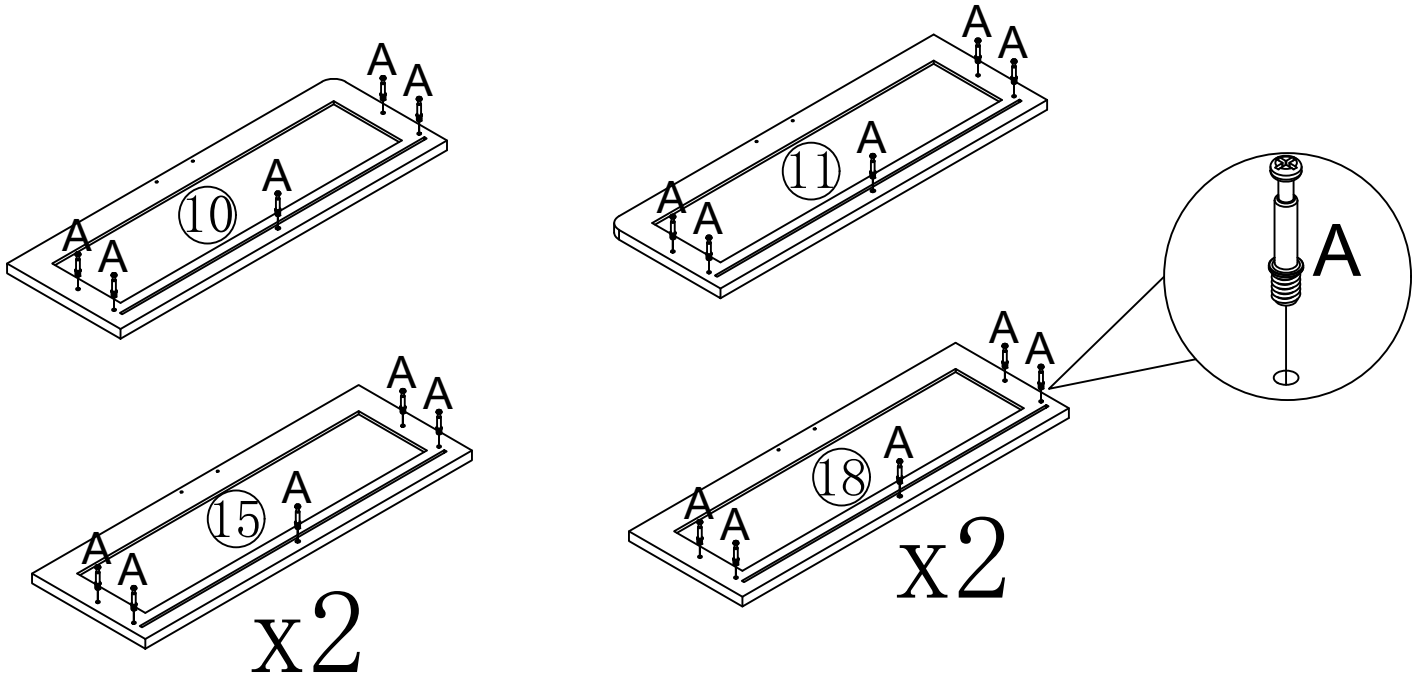


# Step 13





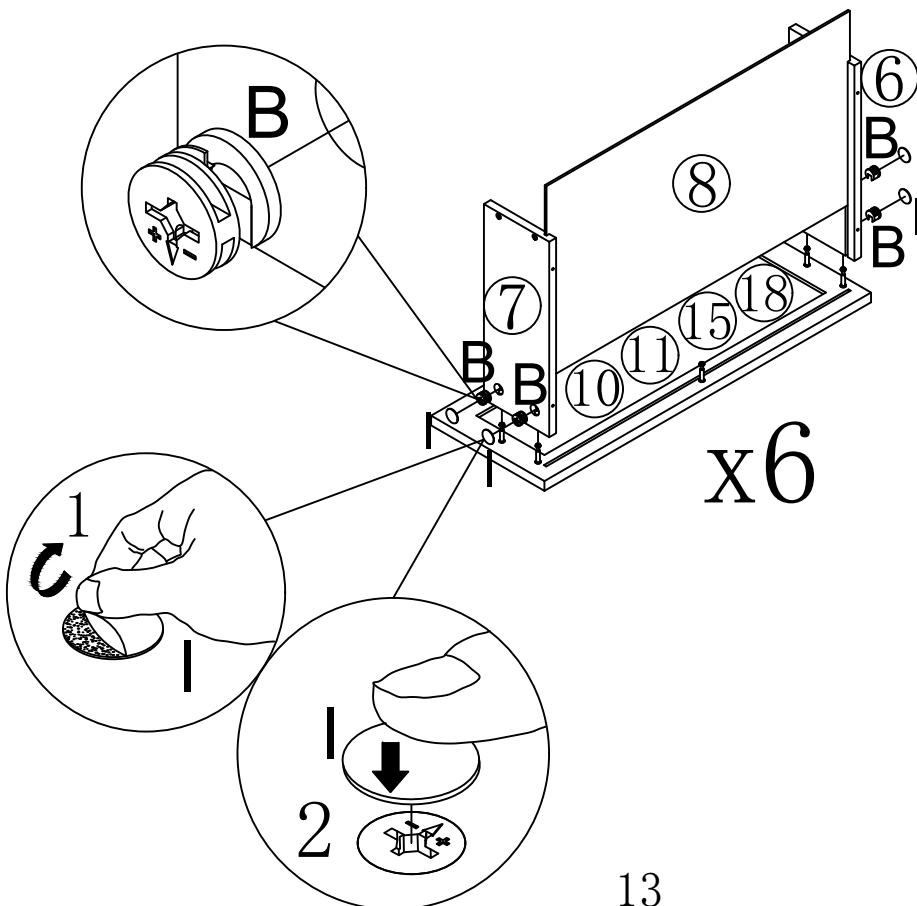
# Step 14

A	×30
	





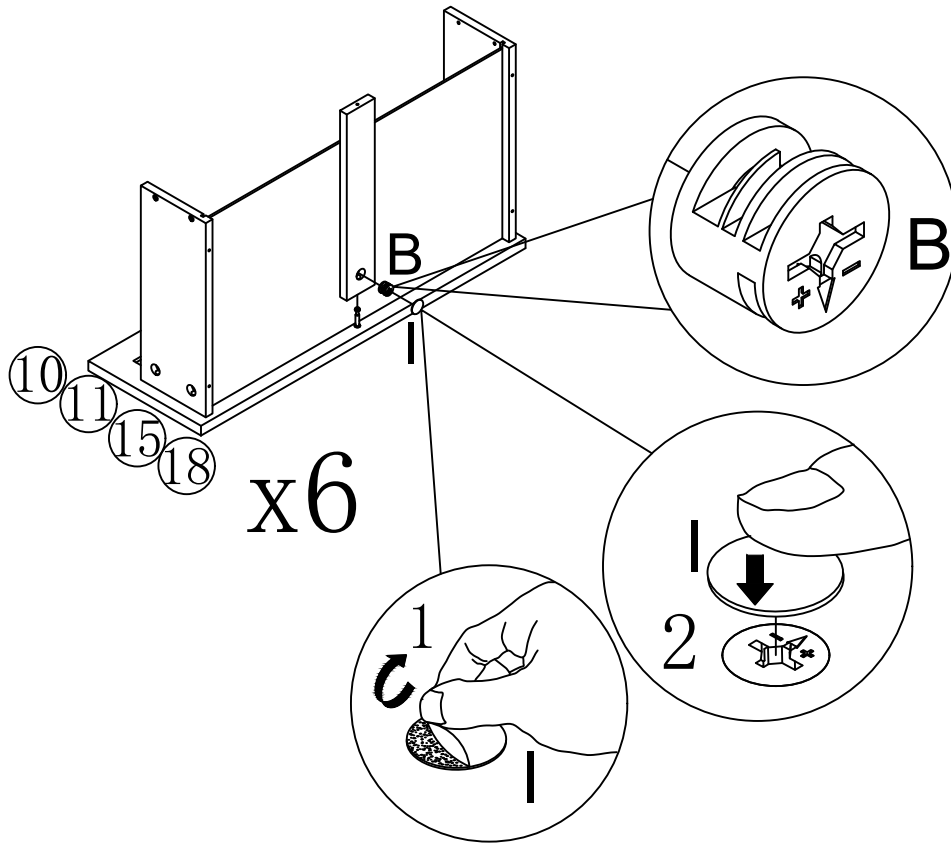
# Step 15

B	×24	I	×24
			

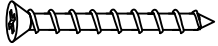


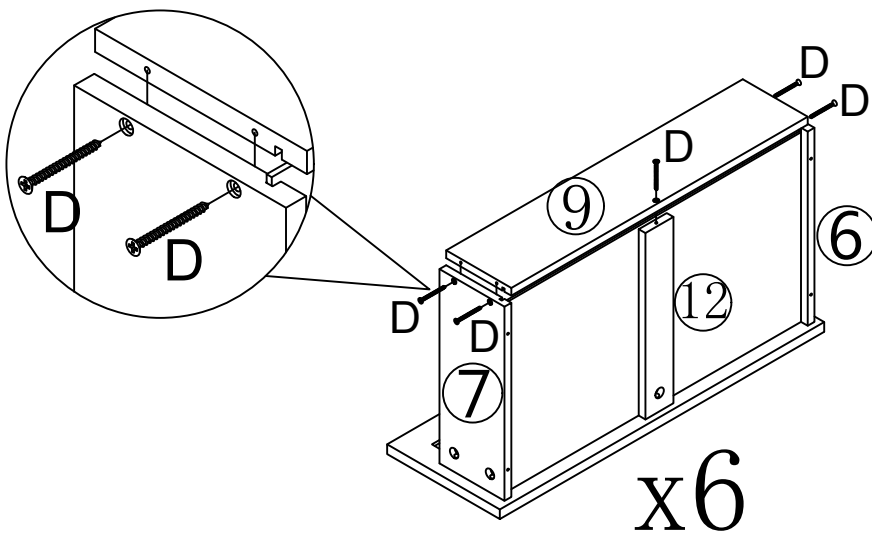
# Step 16

B	×6	I	×6
			

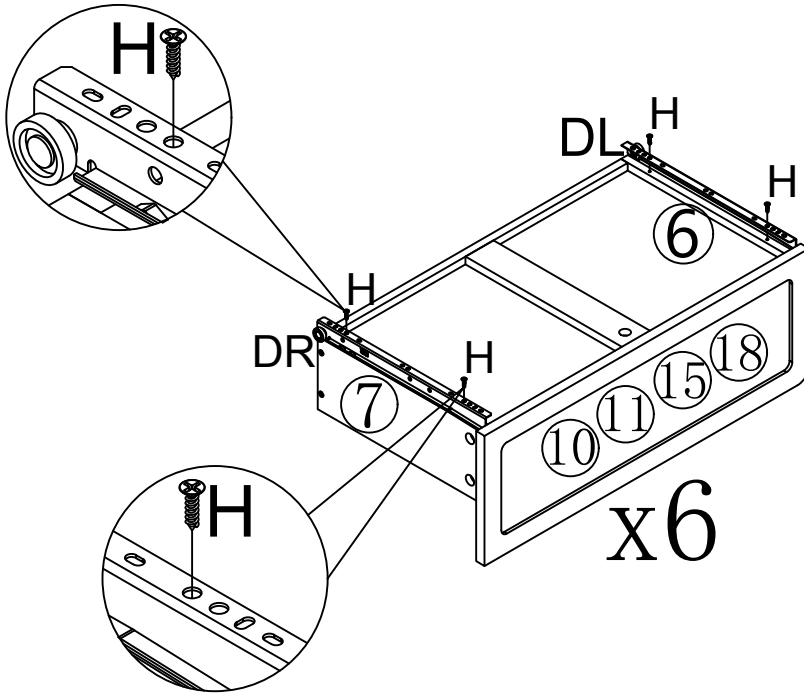
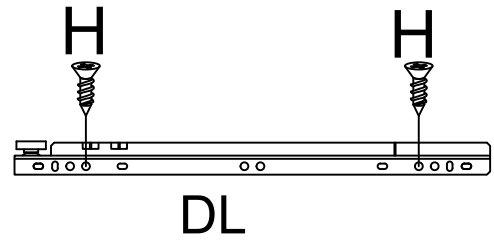
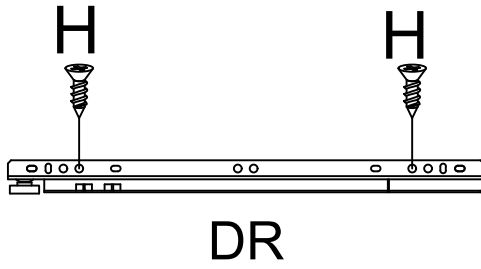
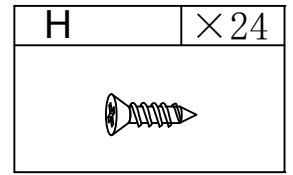
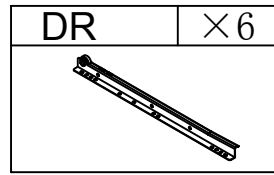
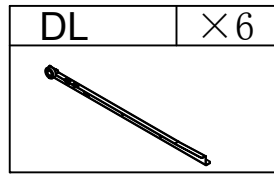


# Step 17

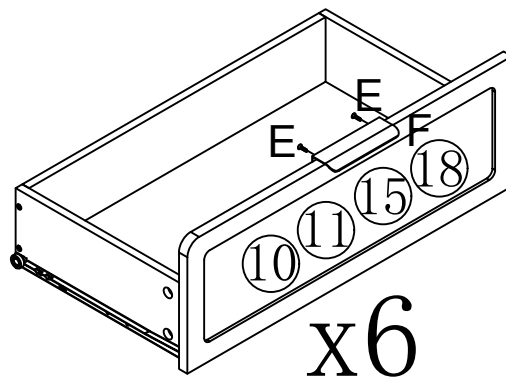
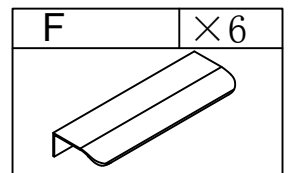
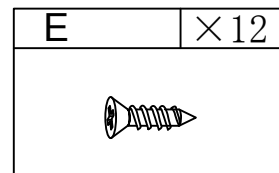
D	×30
	



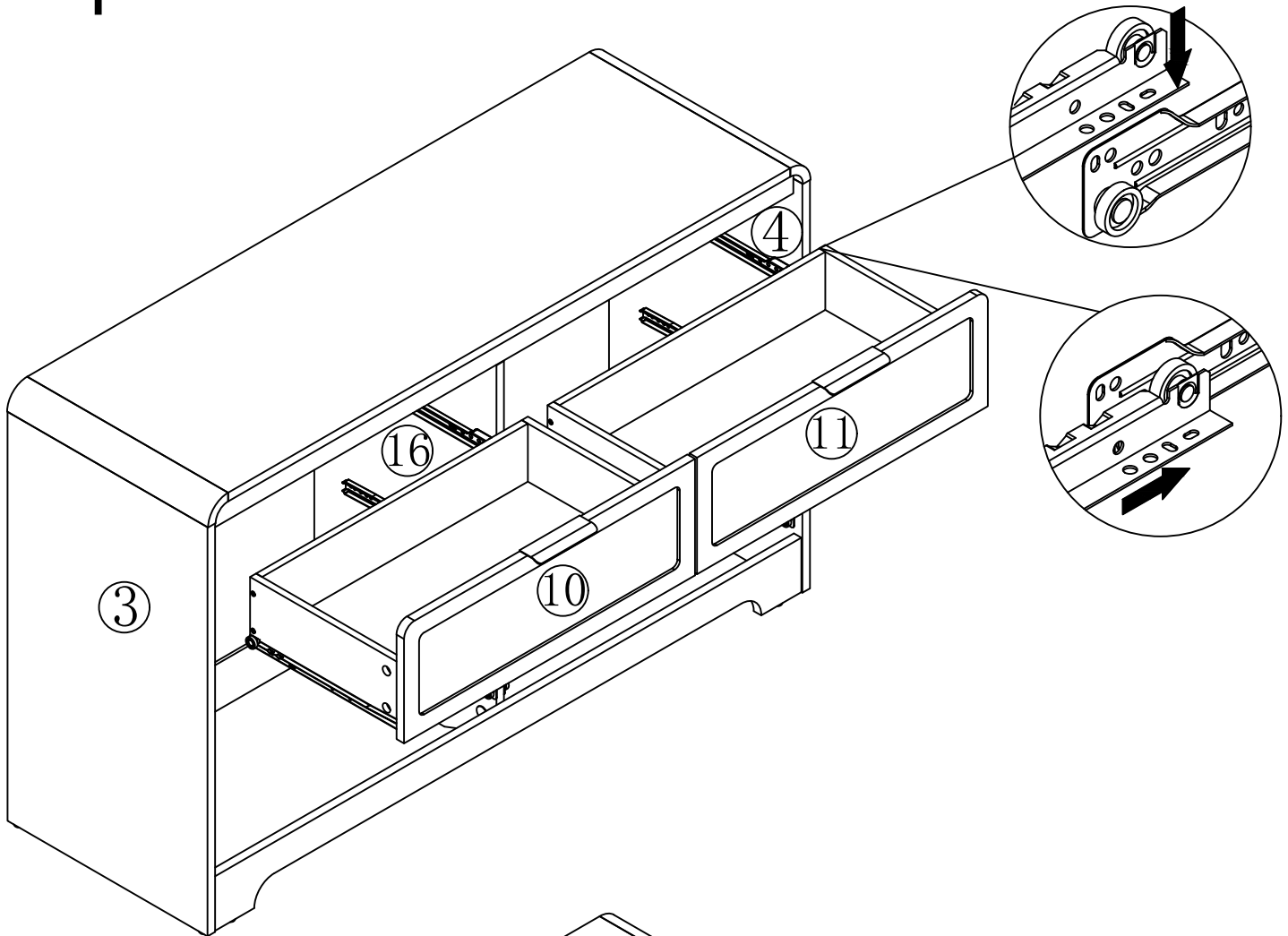
# Step 18



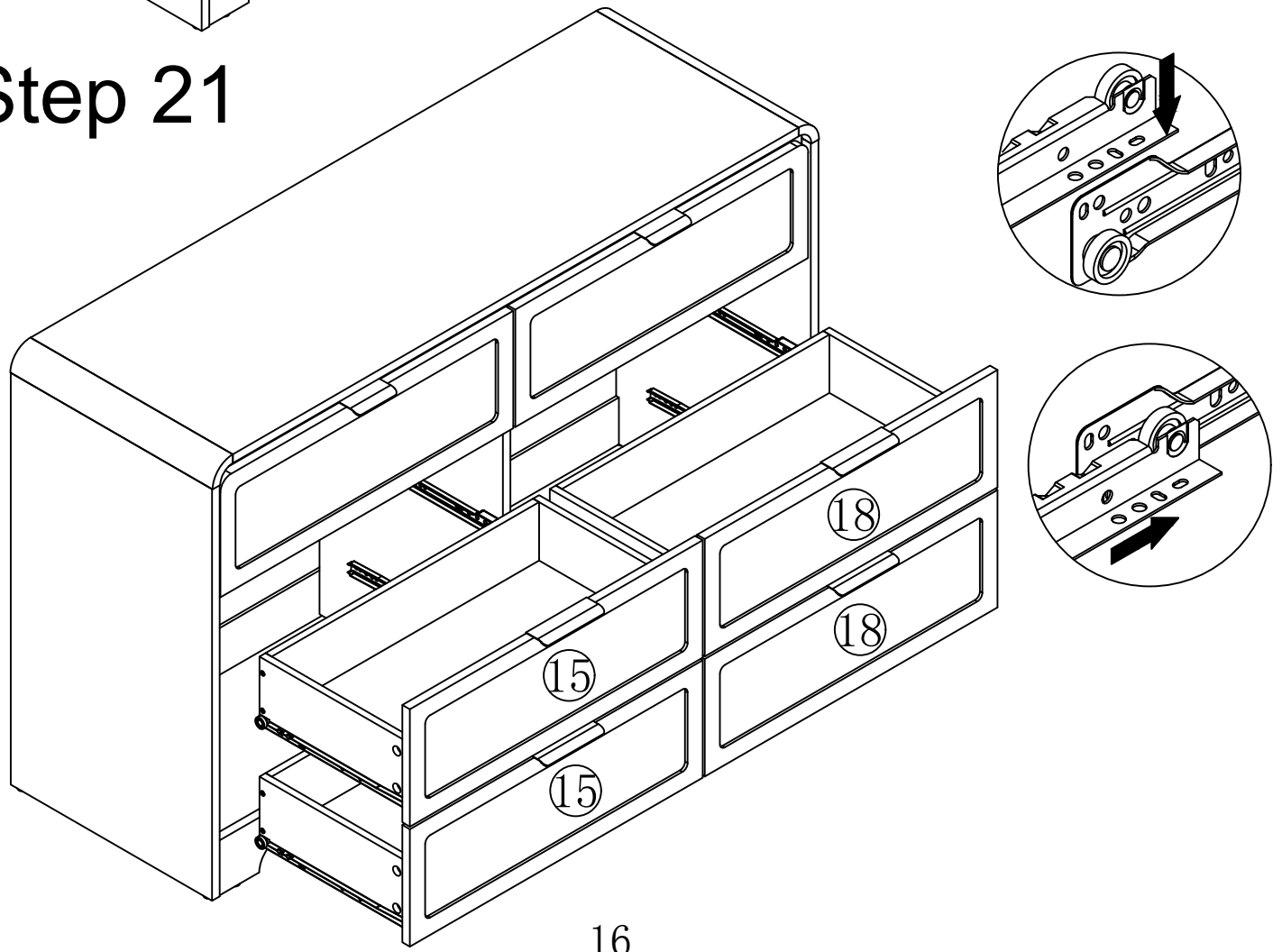
# Step 19



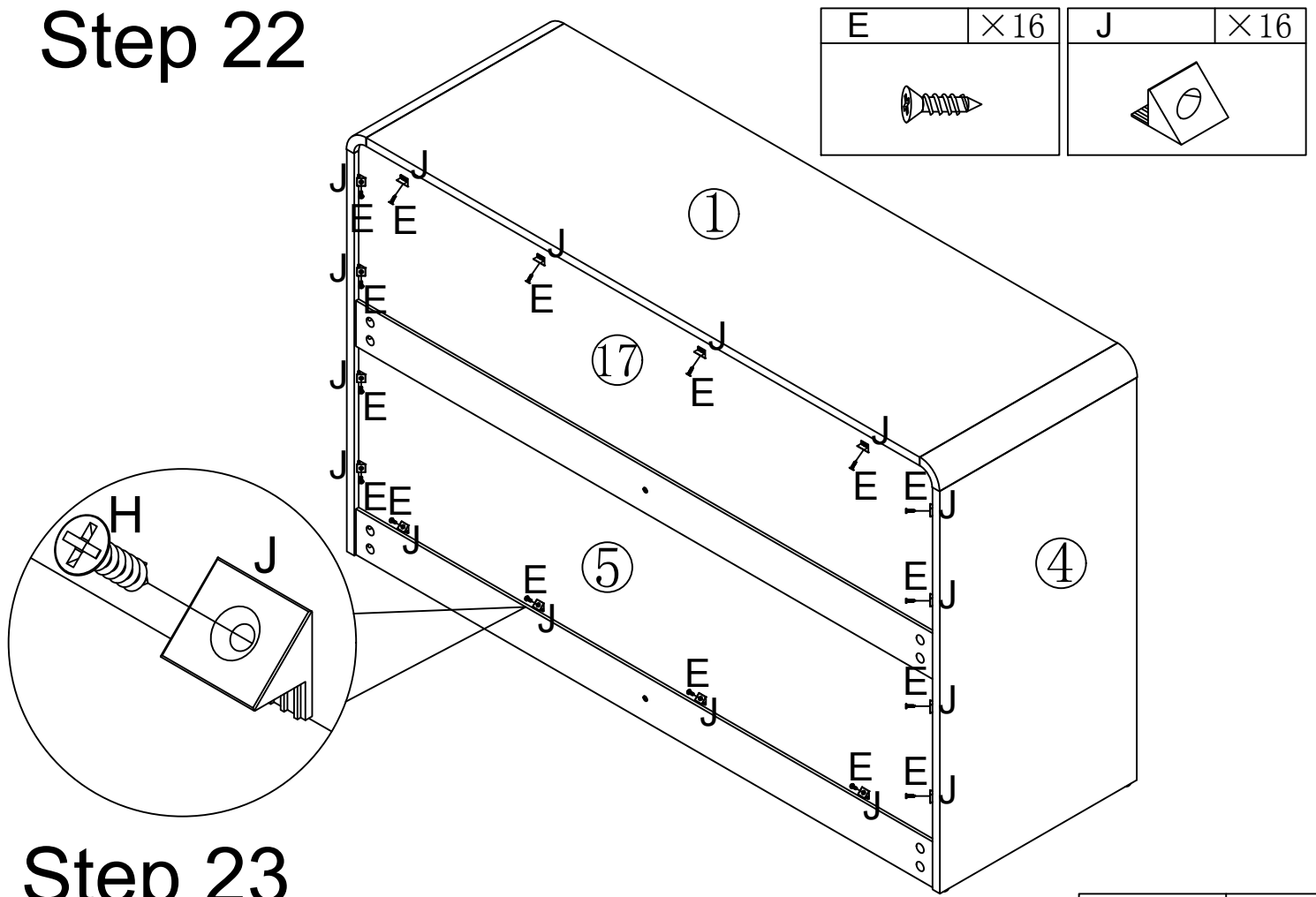
# Step 20



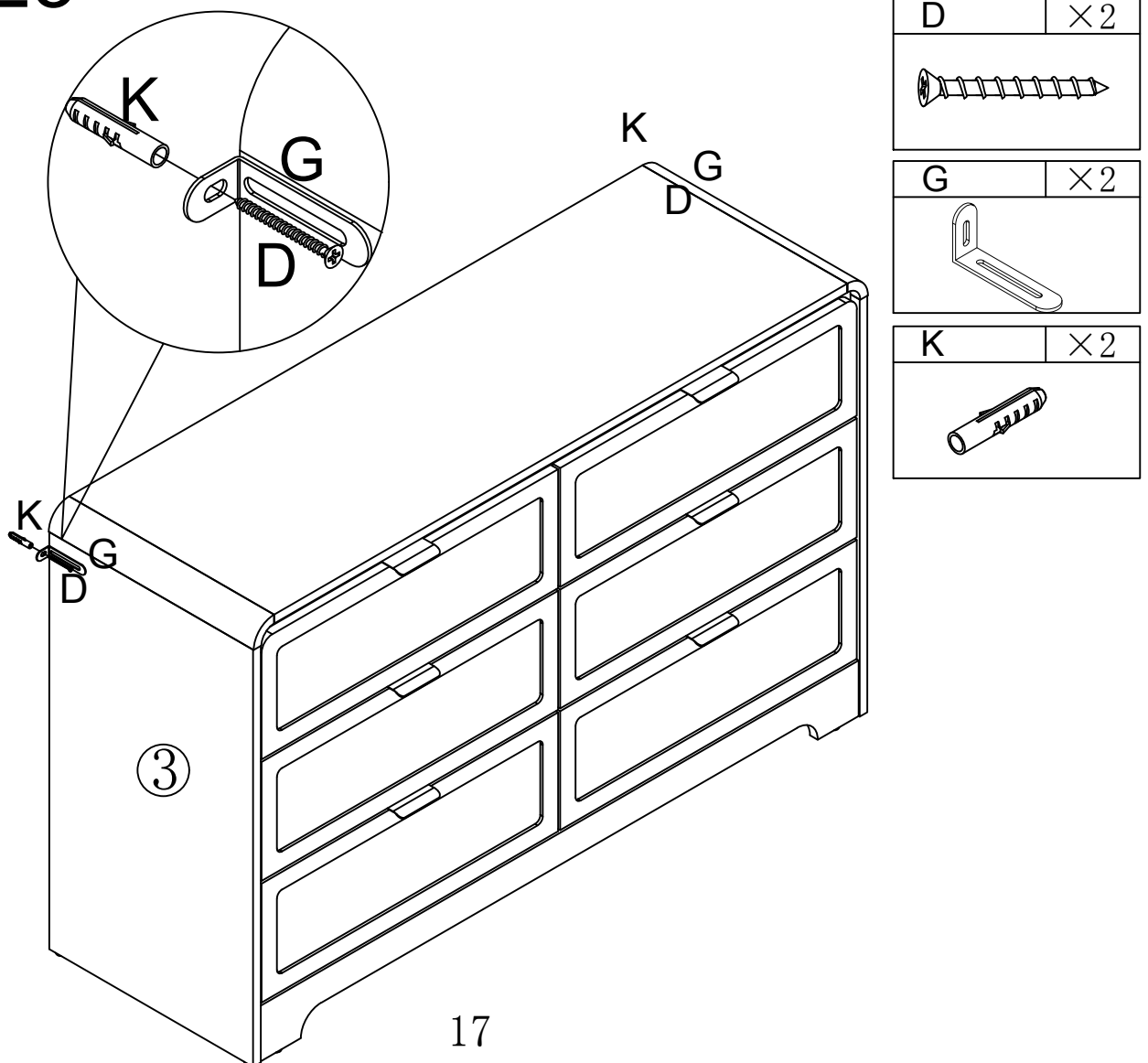
# Step 21



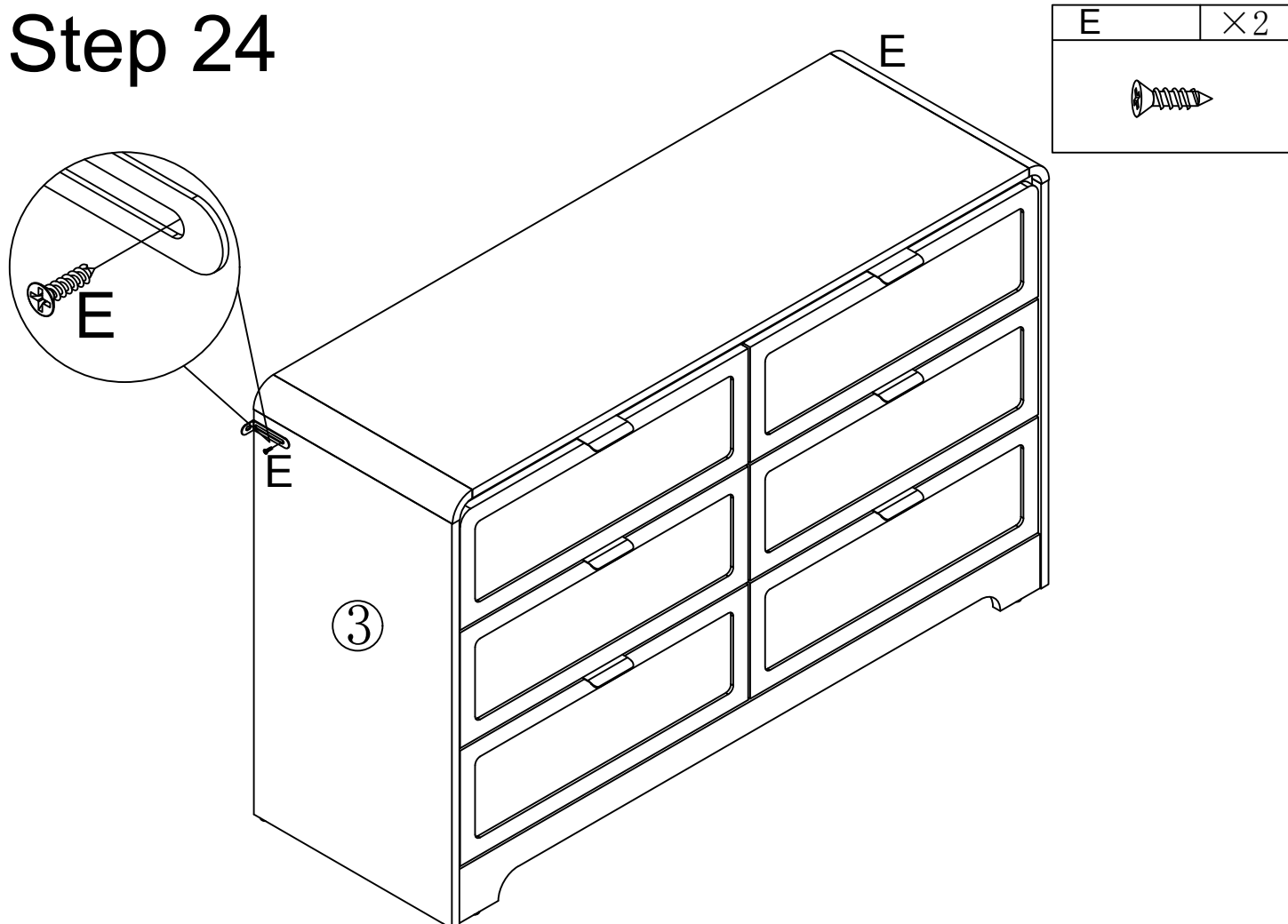
# Step 22



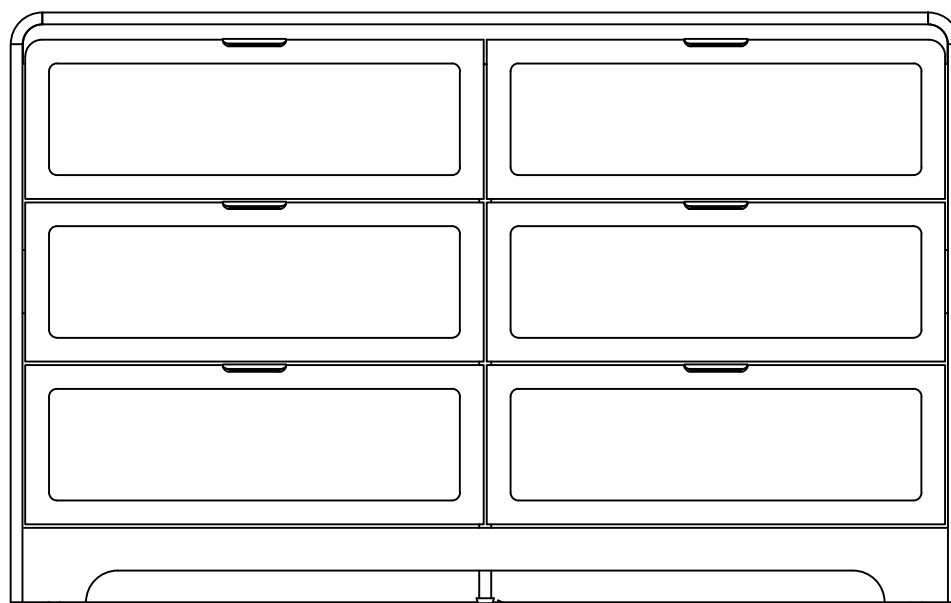
# Step 23



# Step 24



# Step 25



If the cabinet is not straight due to uneven bottom, adjust the plastic foot pads on board ⑬

