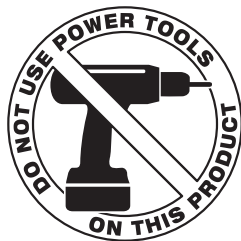
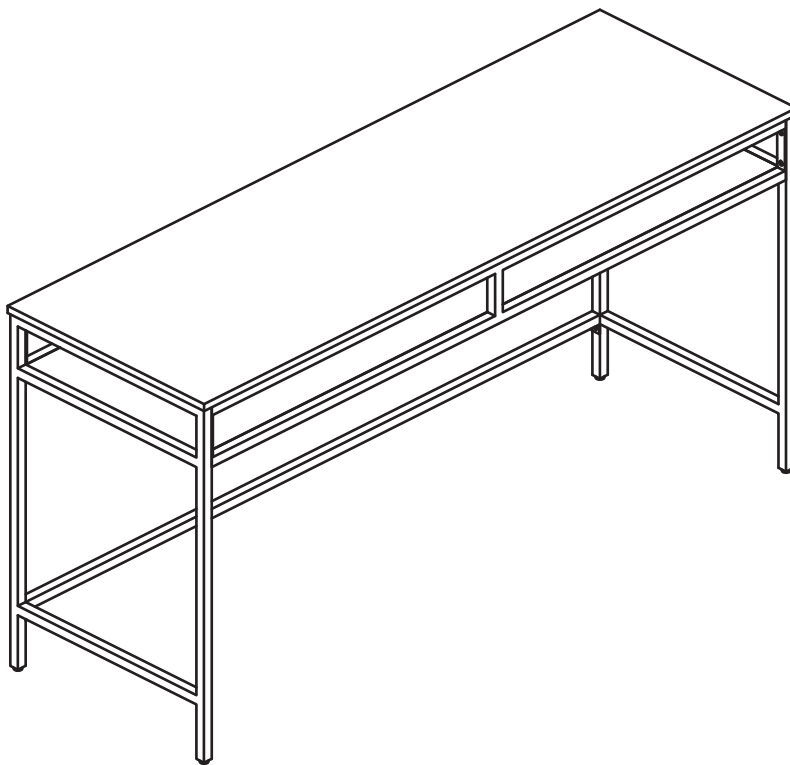
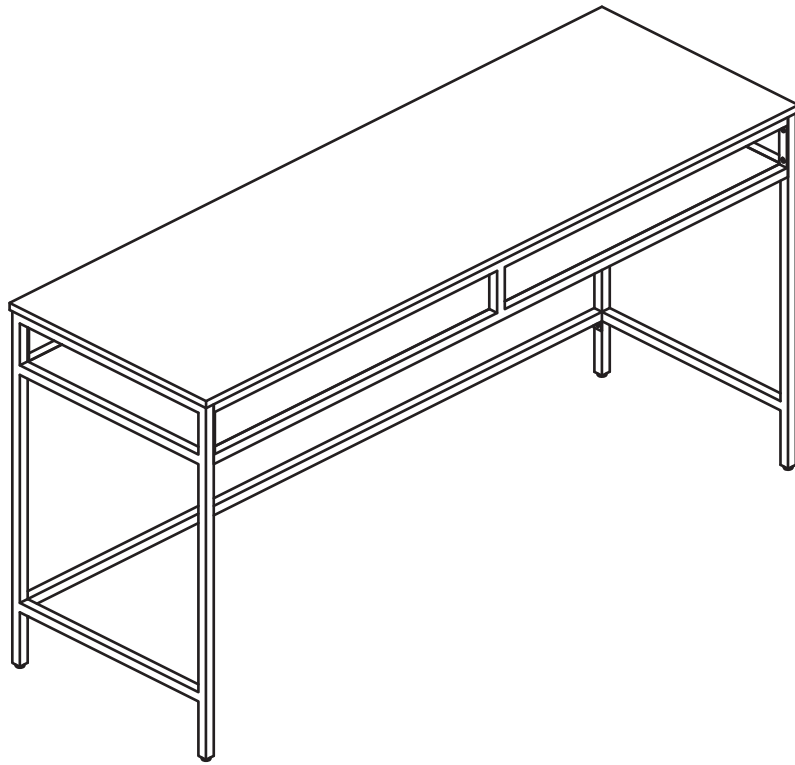

60" WRITING DESK



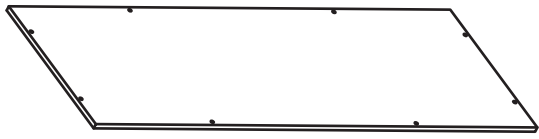
Assembly Instructions - Important:

Carefully unpack and identify each component before attempting to assemble. Refer to parts list. Please take care when assembling the unit and always set the parts on a clean, soft surface.

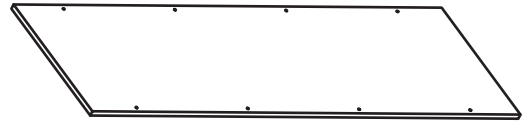


1. Do not use this product unless all screws and bolts are securely tightened.
2. Check that all screws and bolts are tight every three months or as needed.
3. Dispose of packing material properly. Do not use plastic cover as head covering. It may cause suffocation.
4. Do not use this product as a stepladder.
5. Use this product for its intended purpose only.
6. **FOR INDOOR RESIDENTIAL USE ONLY.**

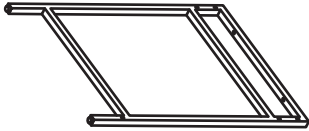
PARTS



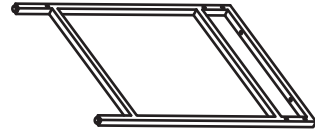
(A) Desktop (1 Pc)



(B) Shelf (1 Pc)



(C) Left Leg Frame (1 Pc)



(D) Right Leg Frame (1 Pc)

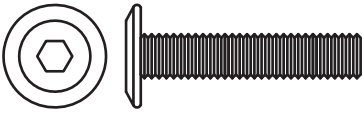





(E) Support Frame (2 Pcs)



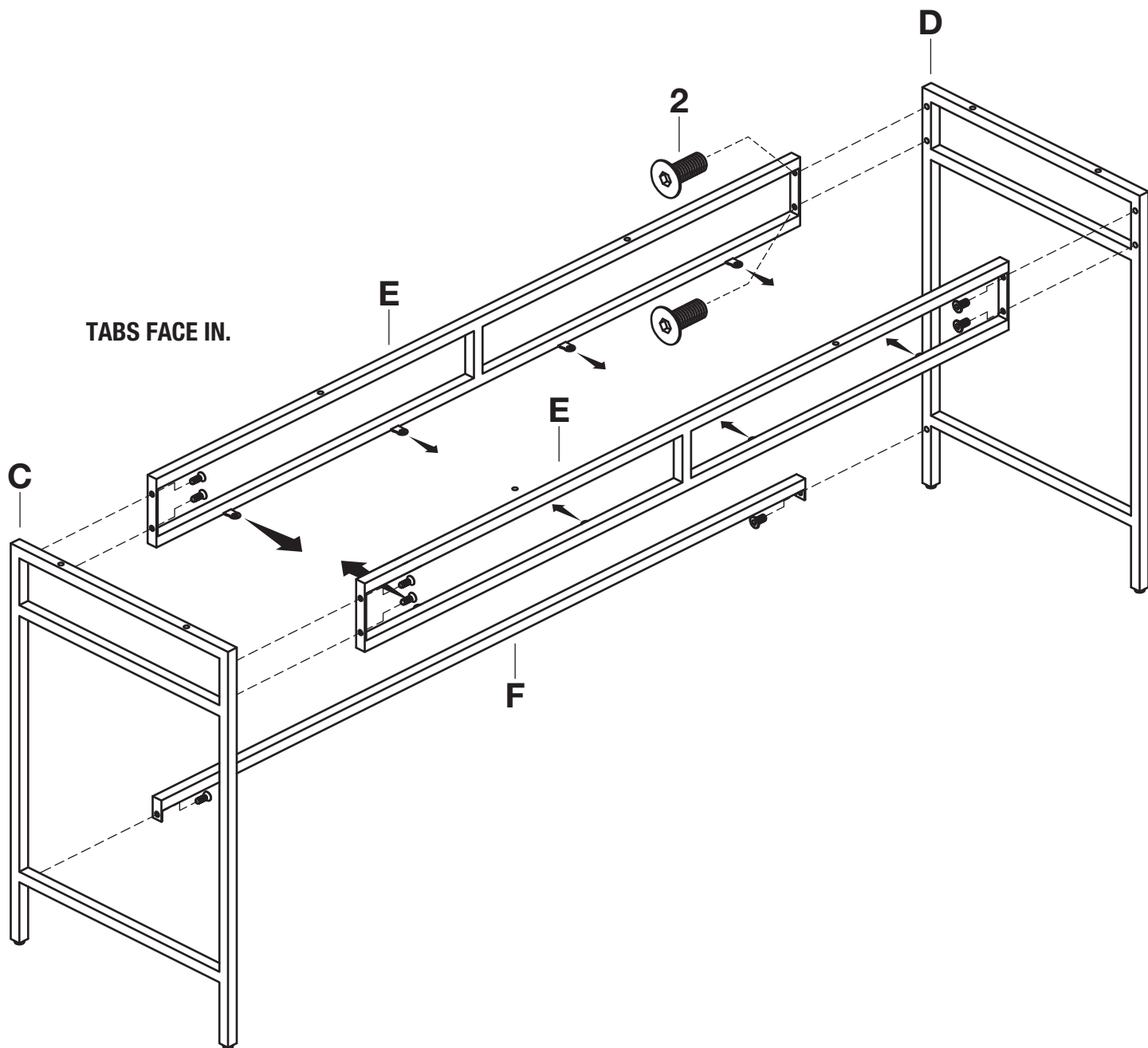
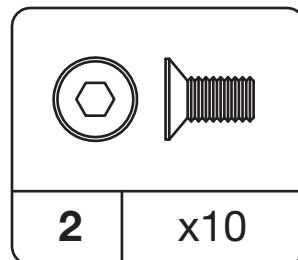
(F) Support Bar (1 Pc)

HARDWARE

| NO | DRAWING | DESCRIPTION | SIZE | QUANTITY |
|----|---|----------------|-------------|----------|
| 1 |  | Allen Bolt | 1/4" x 30mm | 8 Pcs |
| 2 |  | Allen Bolt | 1/4" x 12mm | 10 Pcs |
| 3 |  | Phillips Screw | 3.5 x 12mm | 8 Pcs |
| 4 |  | Allen Key | M4 | 1 Pc |


Phillips screwdriver also needed for assembly (not provided)

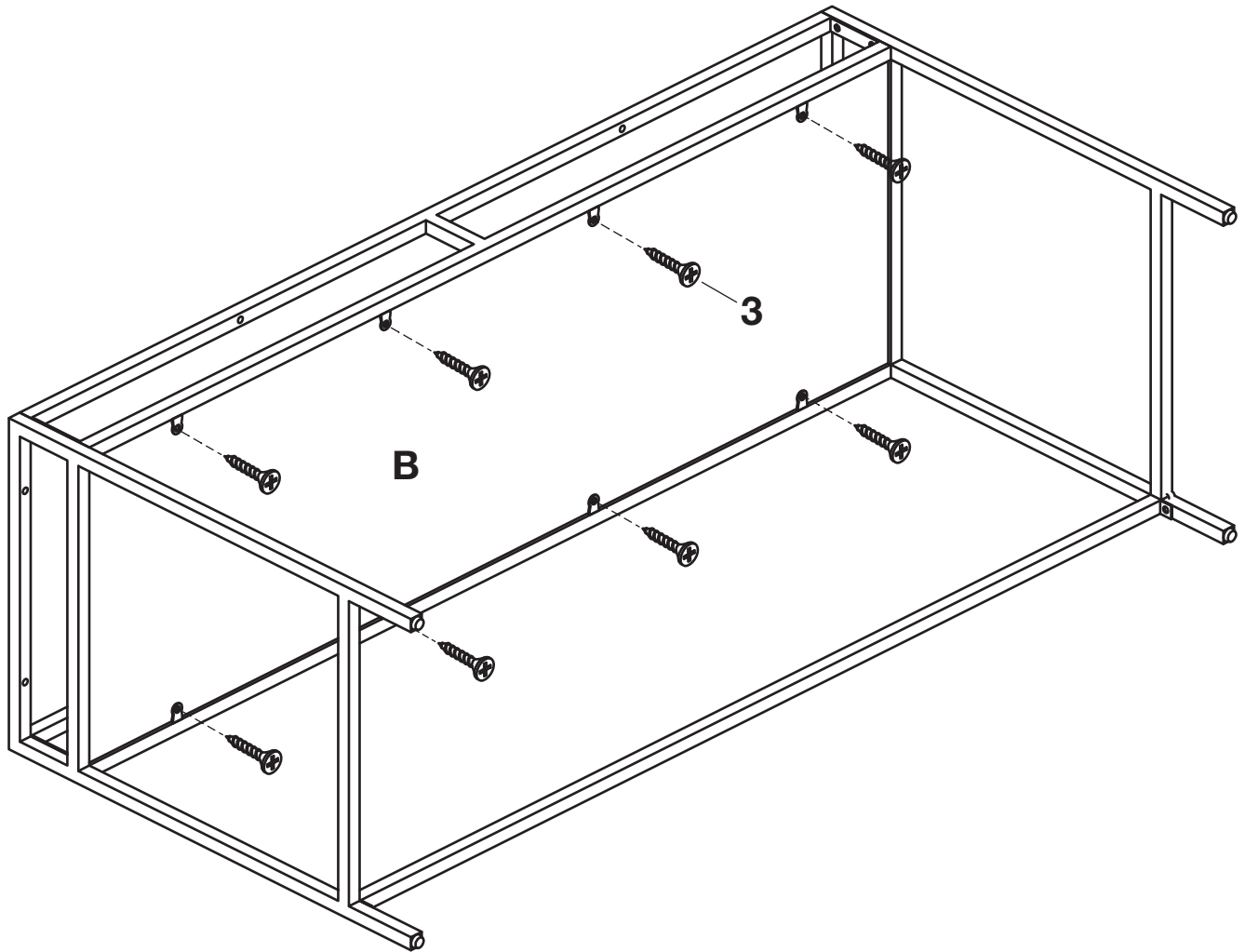
STEP 1



DO NOT FULLY TIGHTEN BOLTS.

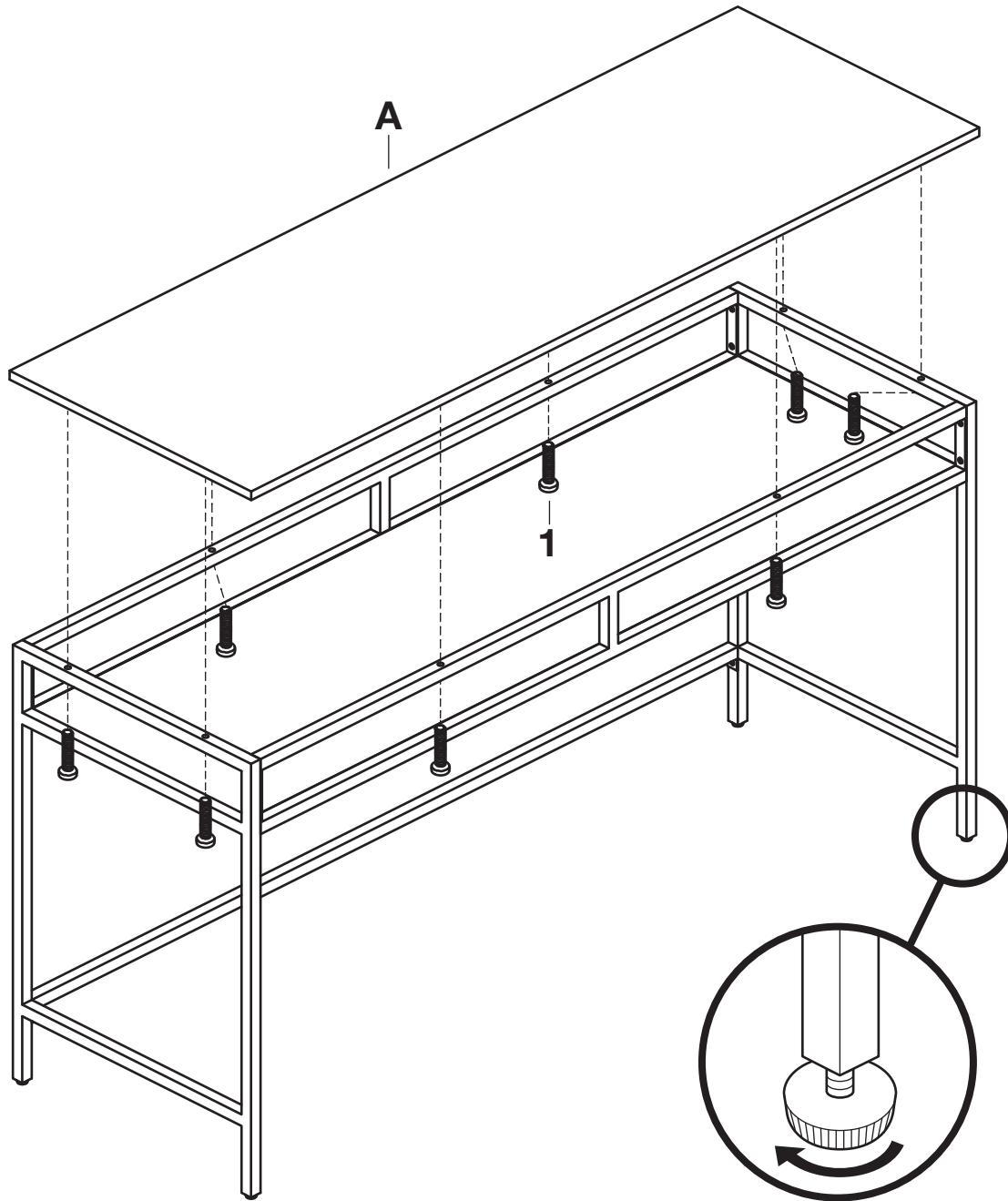
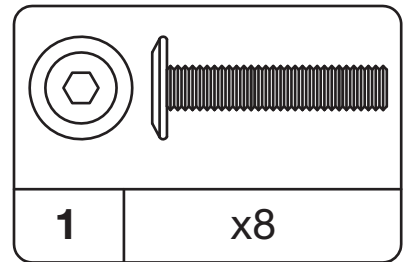
STEP 2

| | |
|---|-----------|
|  | |
| 3 | x8 |



FULLY TIGHTEN ALL SCREWS.

STEP 3



ADJUST FLOOR LEVELERS AS NEEDED.

FULLY TIGHTEN ALL BOLTS FROM STEPS 1 & 3.