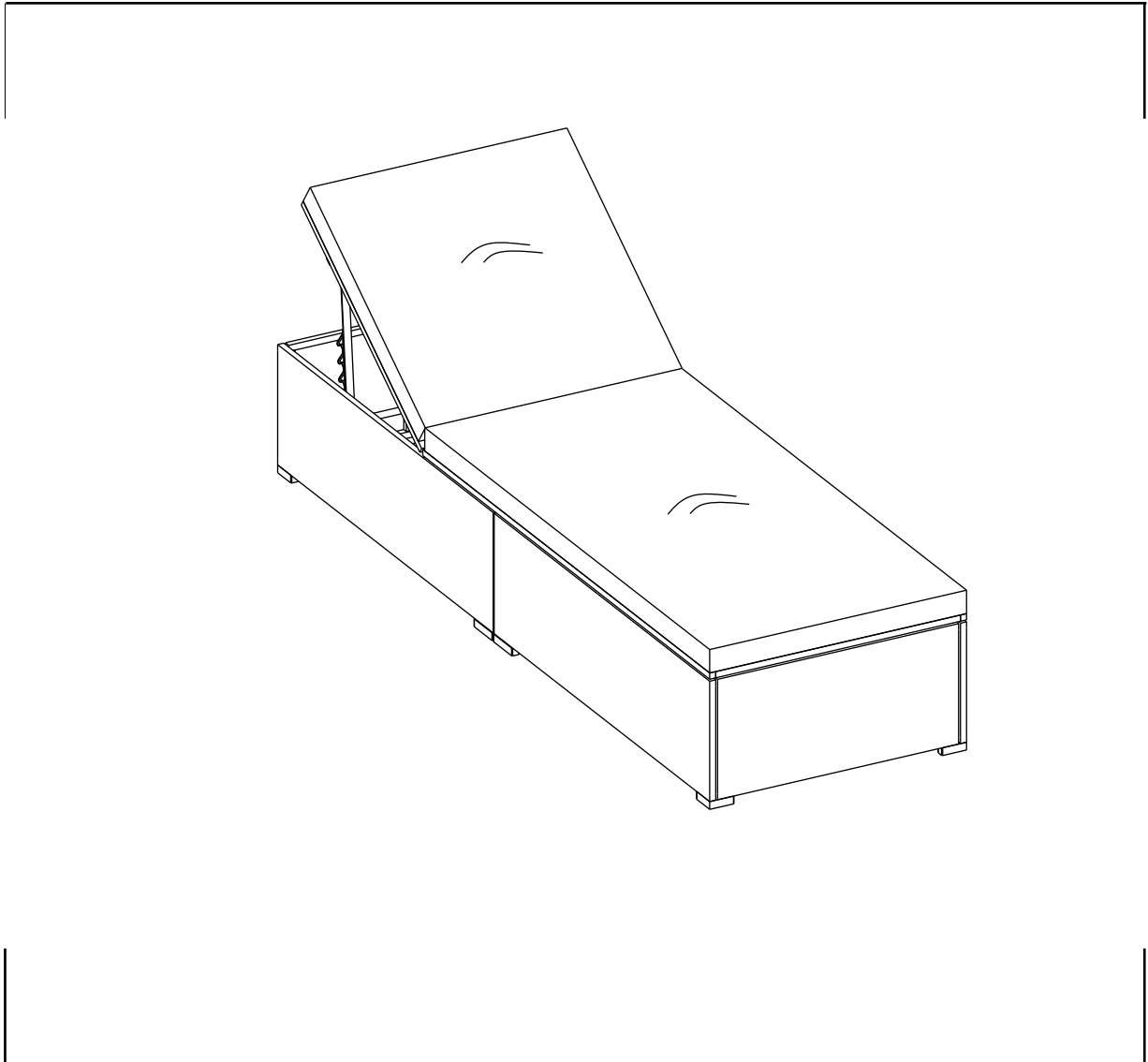


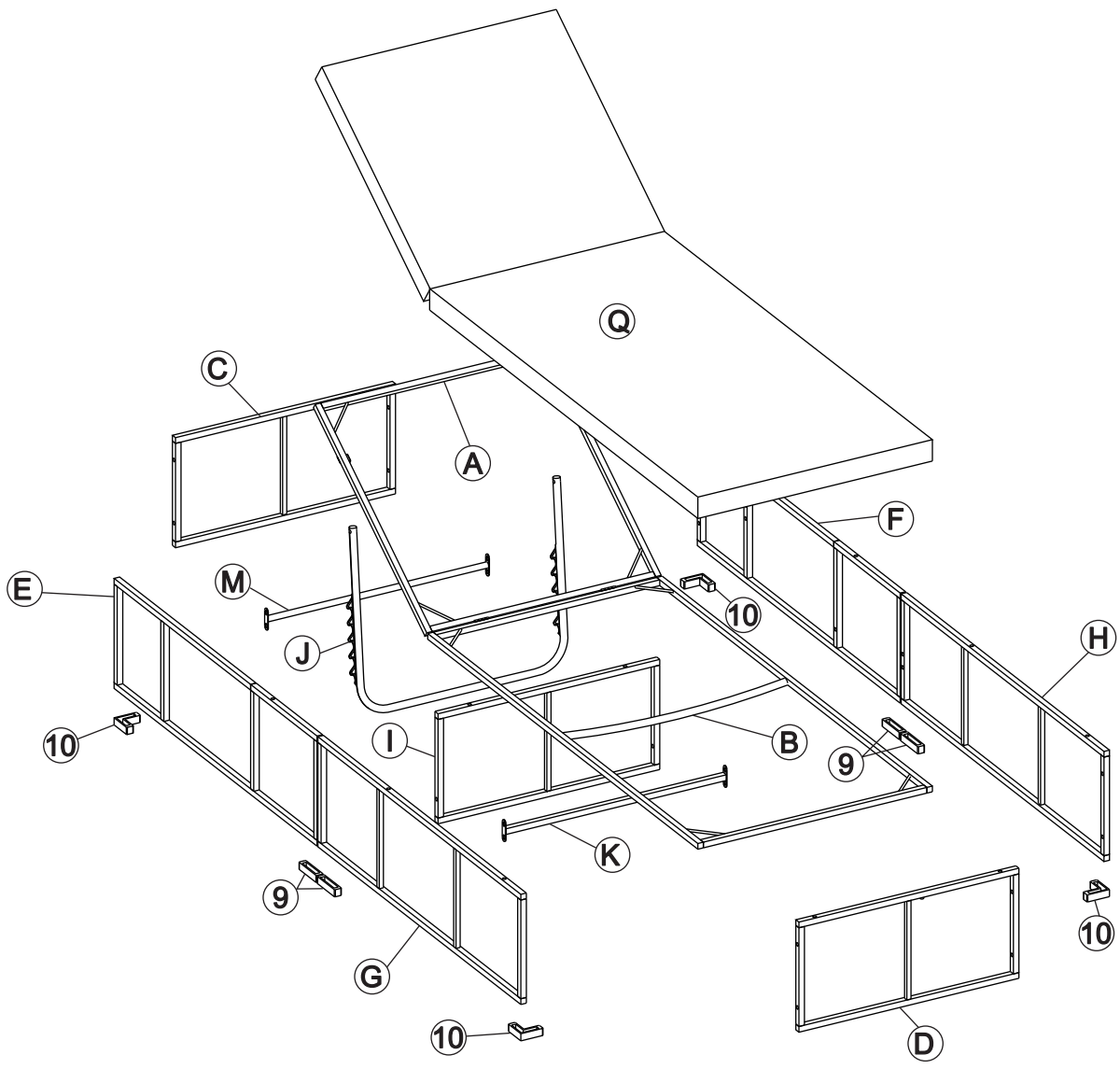
ASSEMBLY INSTRUCTION



Thank you for purchasing from us.

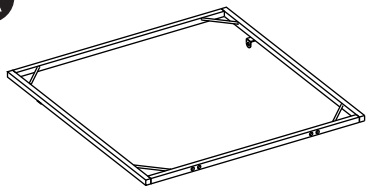
Note: Don't tighten all the screws until the last step.
That will simplify your assembly

Detail View



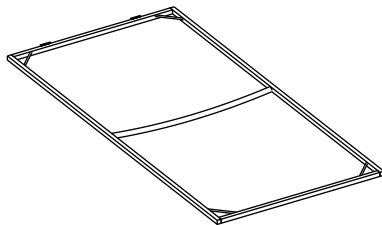
Part List

A



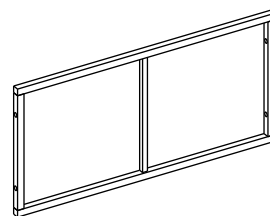
1 pc

B



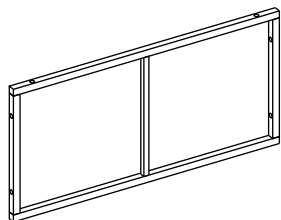
1 pc

C



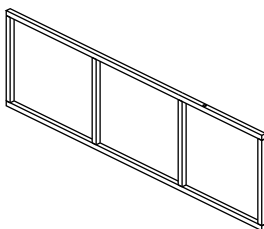
1 pc

D



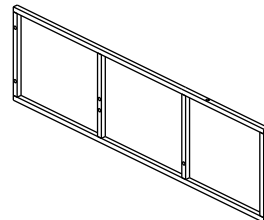
1 pc

E



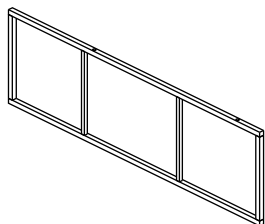
1 pc

F



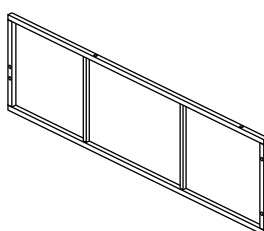
1 pc

G



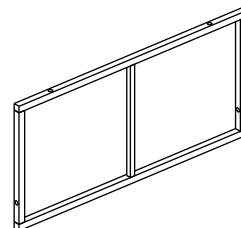
1 pc

H



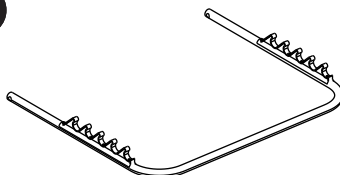
1 pc

I



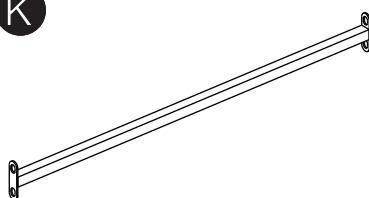
1 pc

J



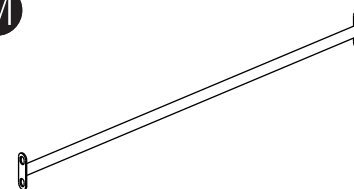
1 pc

K



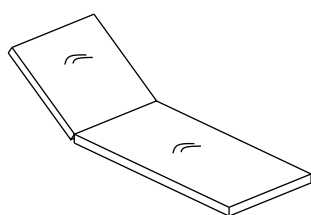
1 pc

M



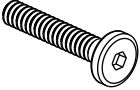
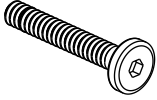
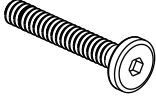

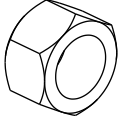


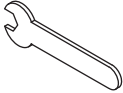
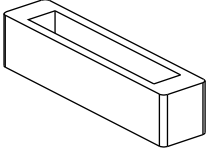
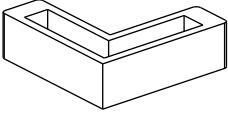
1 pc

Q

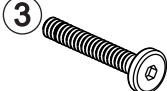



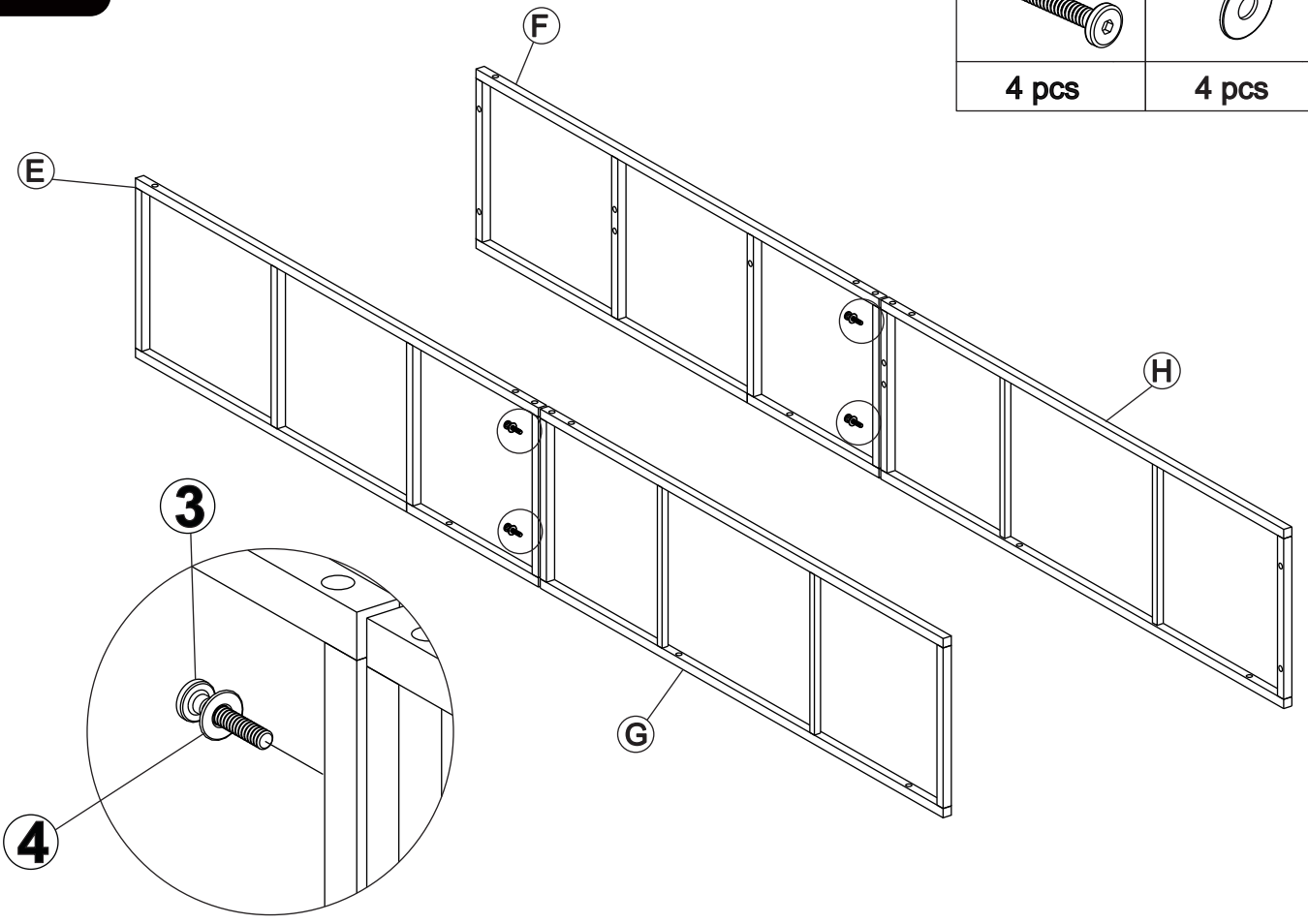
1 pc

Hardware List

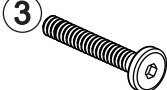

| | | |
|---|--|--|
| <p>1</p>  <p>M6x15mm 12 pcs</p> | <p>2</p>  <p>M6x25mm 16 pcs</p> | <p>3</p>  <p>M6x35mm 26 pcs</p> |
| <p>4</p>  <p>6/16x1mm 36 pcs</p> | <p>5</p>  <p>2 pcs</p> | <p>6</p>  <p>2 pcs</p> |
| <p>7</p>  <p>4x60mm 2 pcs</p> | <p>8</p>  <p>1 pc</p> | <p>9</p>  <p>4 pcs</p> |
| <p>10</p>  <p>4 pcs</p> | | |

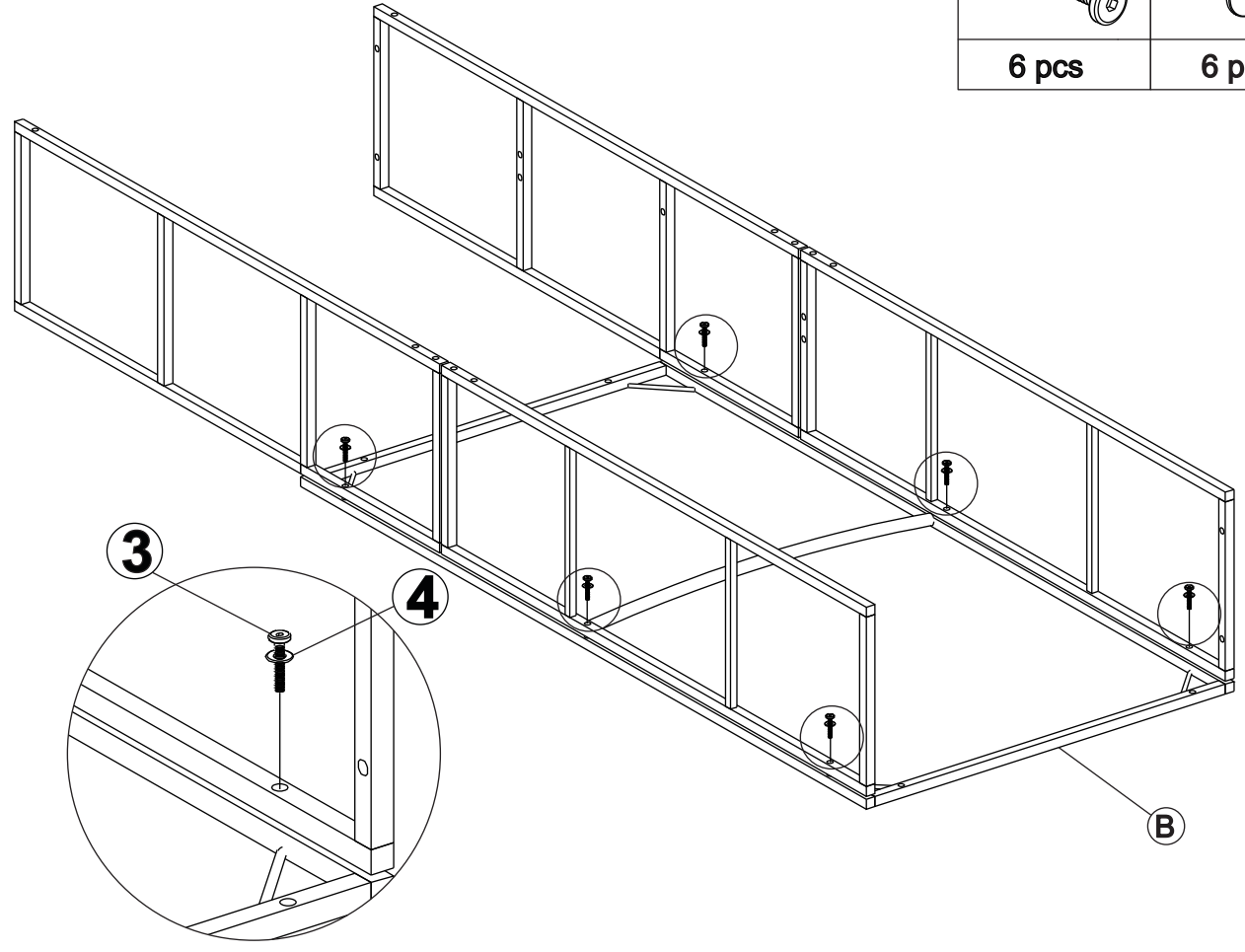
STEP 1

| | |
|--|--|
|  |  |
| 4 pcs | 4 pcs |

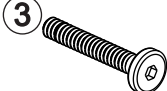



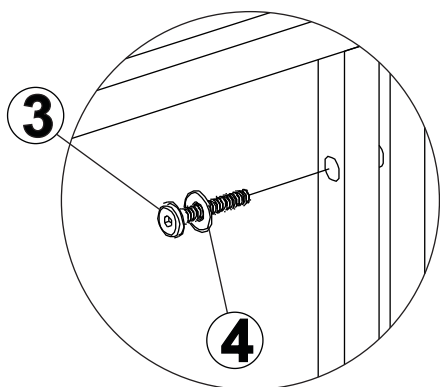
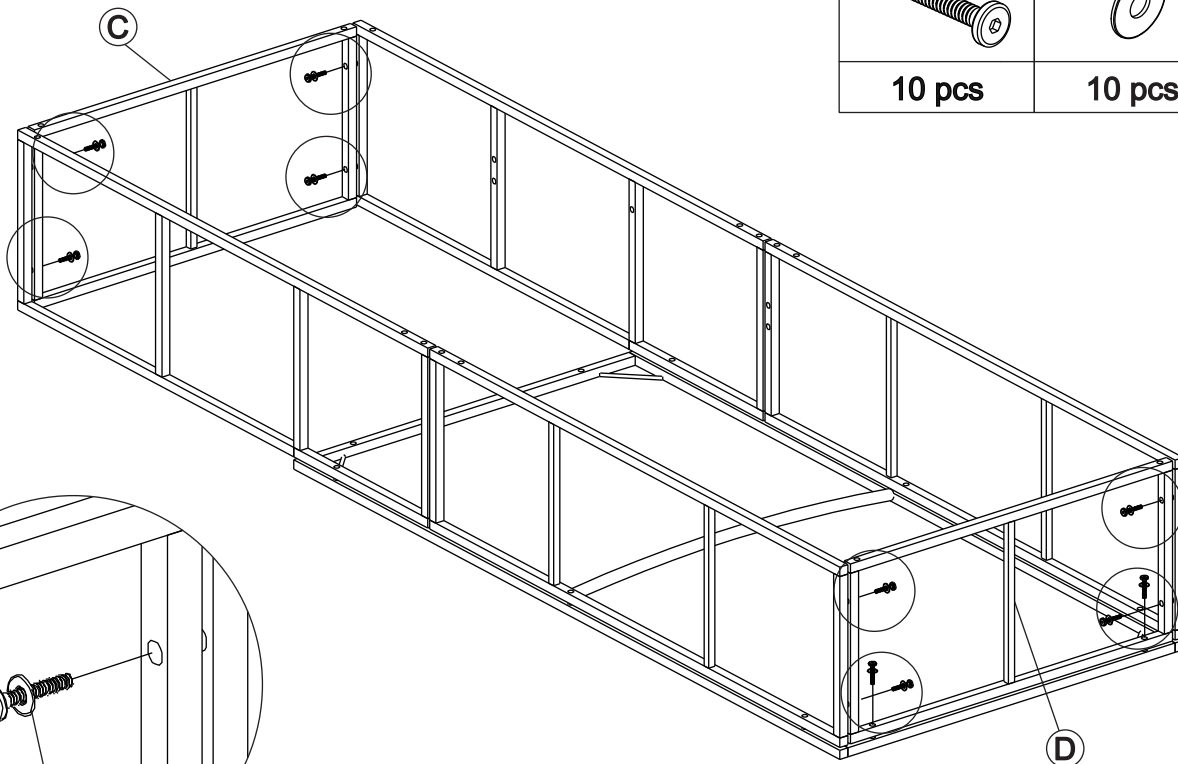
STEP 2

| | |
|---|---|
|  |  |
| 6 pcs | 6 pcs |

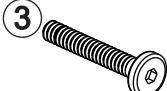



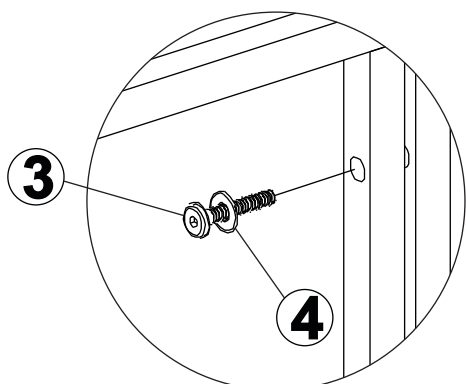
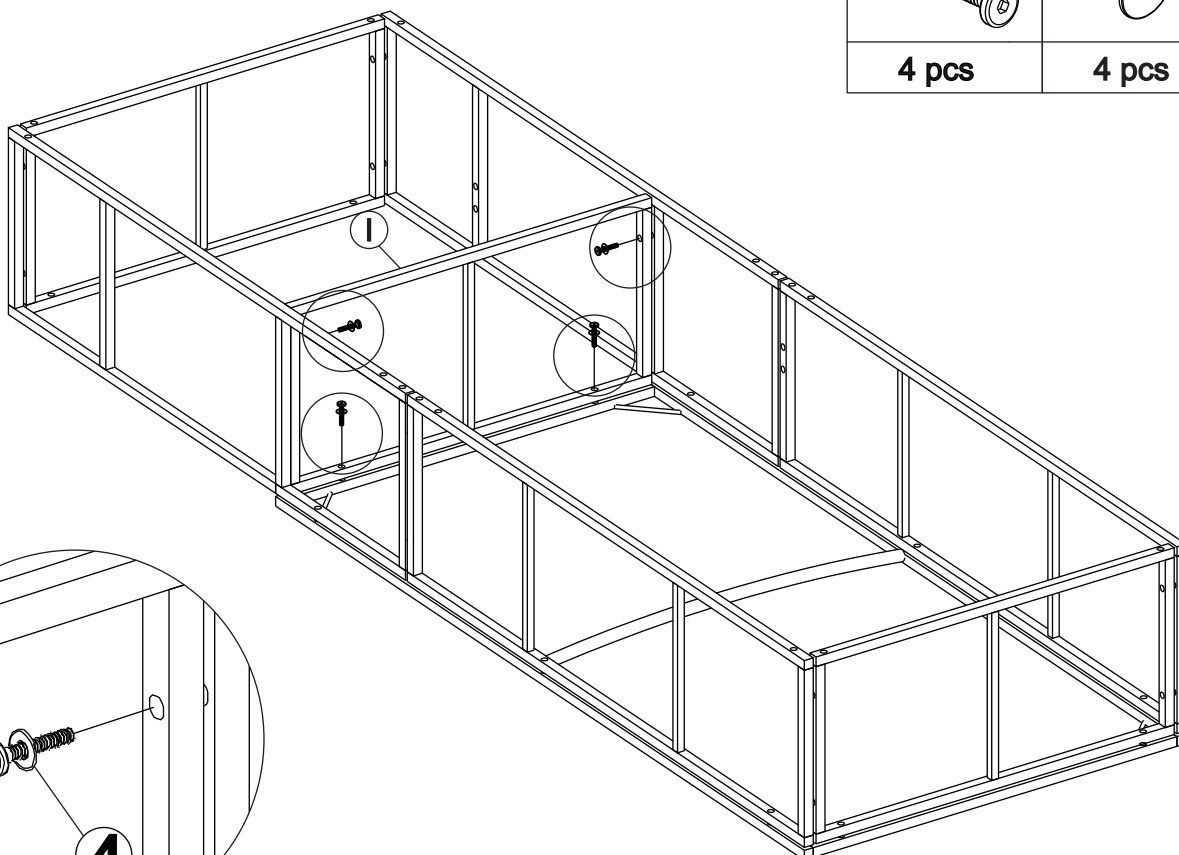
STEP 3

| | |
|--|--|
|  |  |
| 10 pcs | 10 pcs |

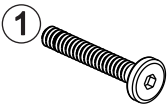



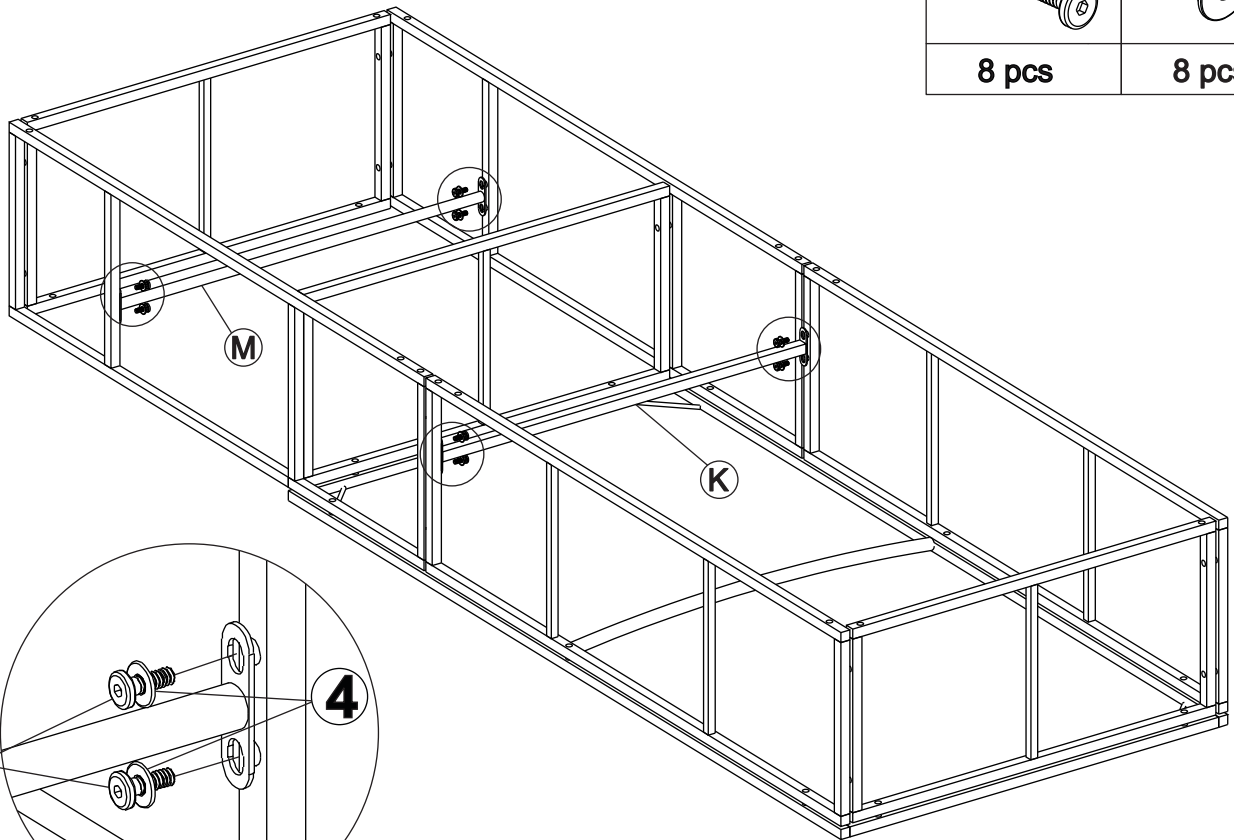
STEP 4

| | |
|---|---|
|  |  |
| 4 pcs | 4 pcs |

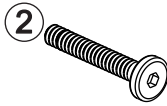
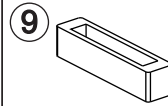
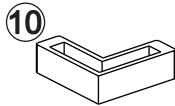


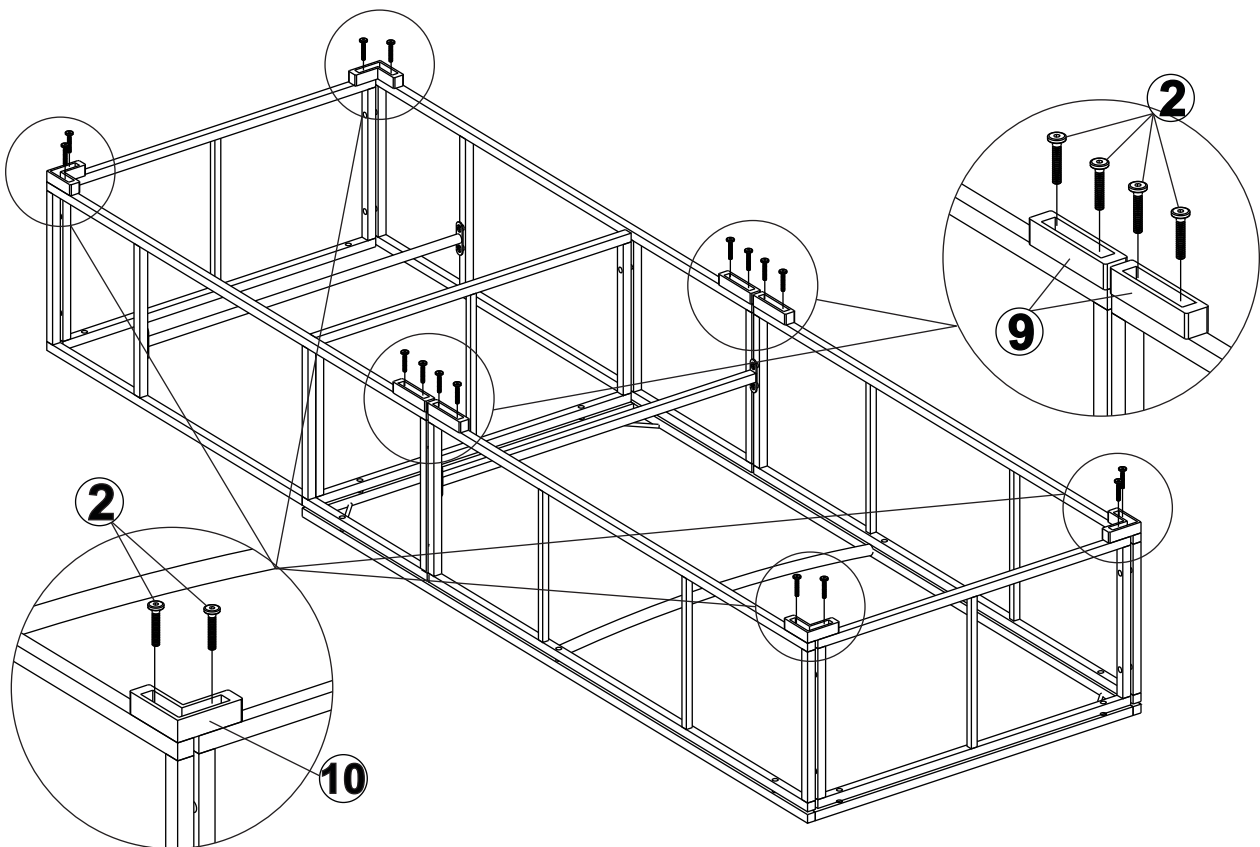
STEP 5

| | |
|--|--|
|  |  |
| 8 pcs | 8 pcs |

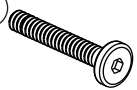


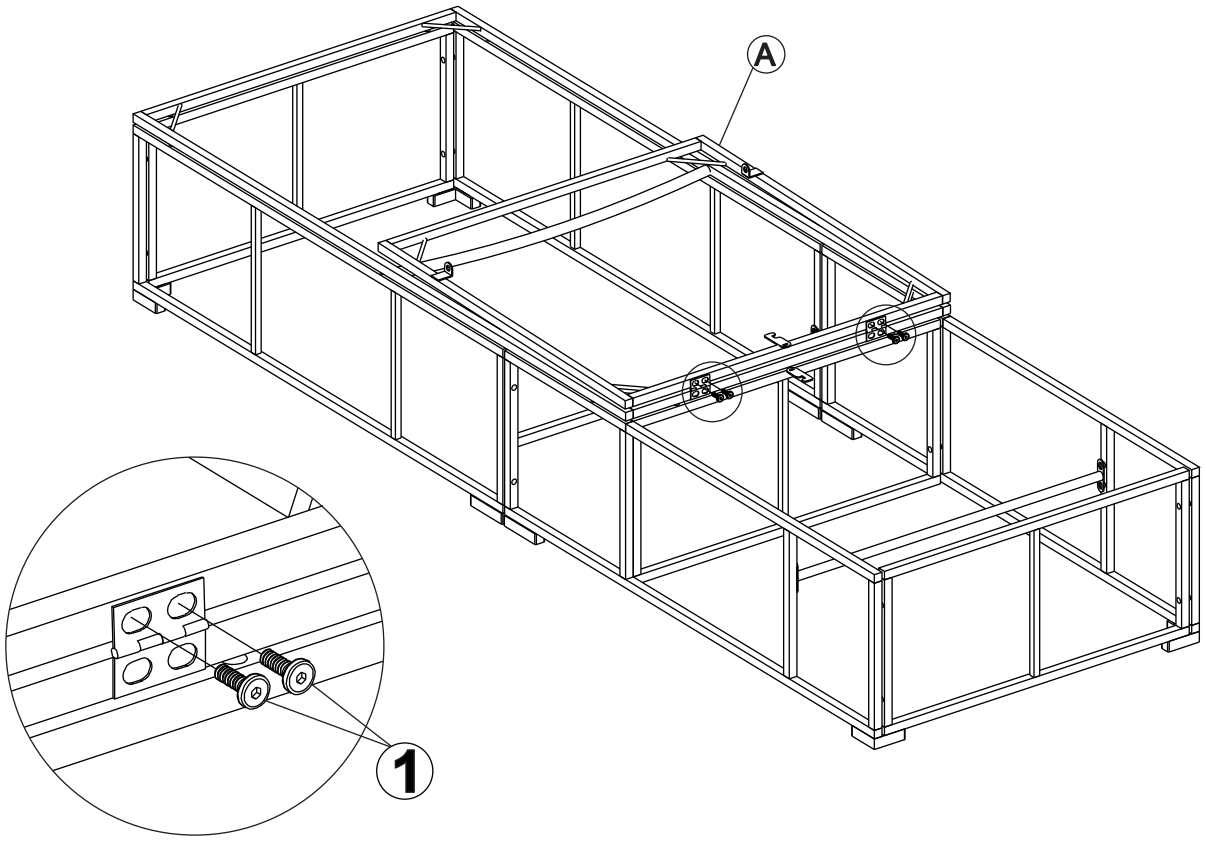
STEP 6

| | | |
|--|---|---|
|  |  |  |
| 16 pcs | 4 pcs | 4 pcs |

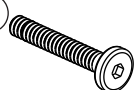

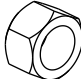
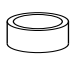


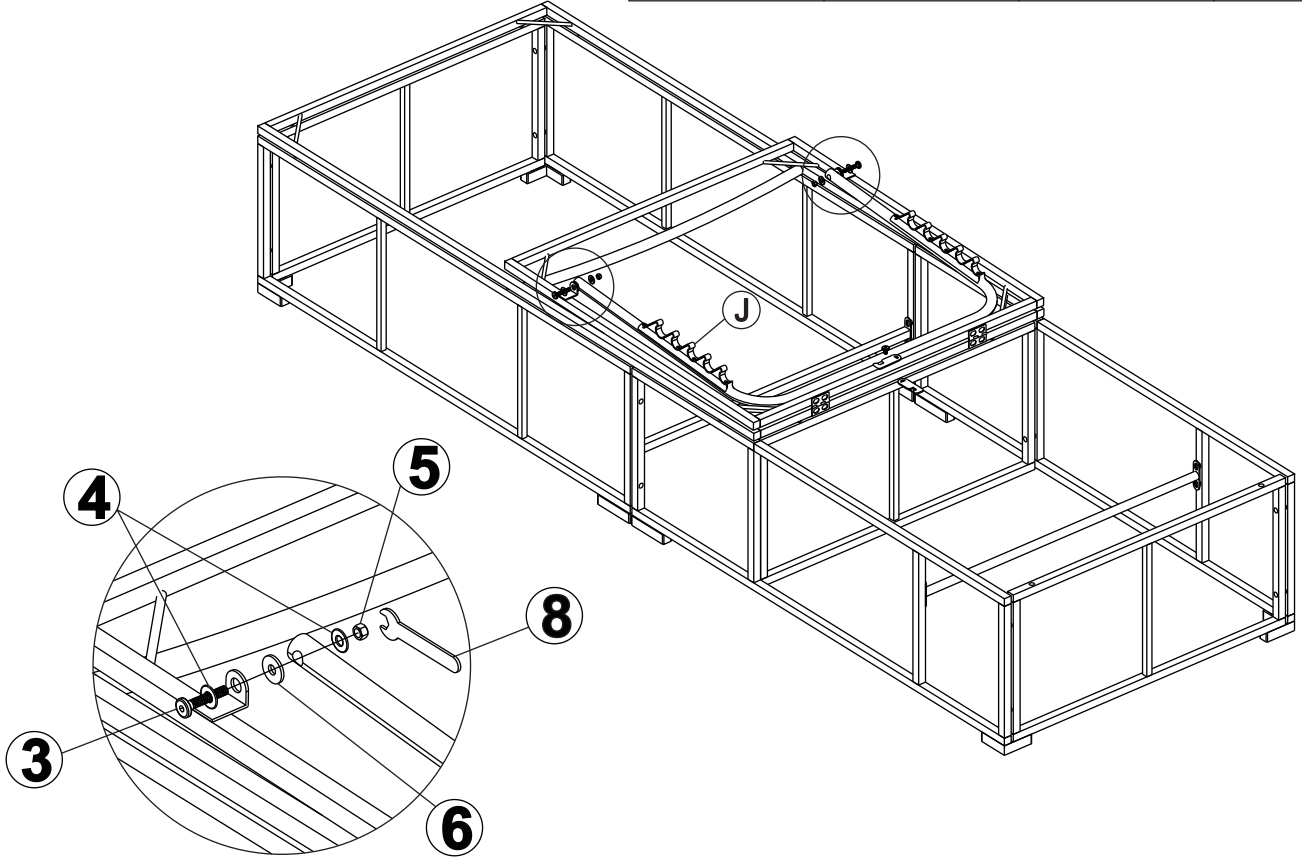
STEP 7

① 
4 pcs

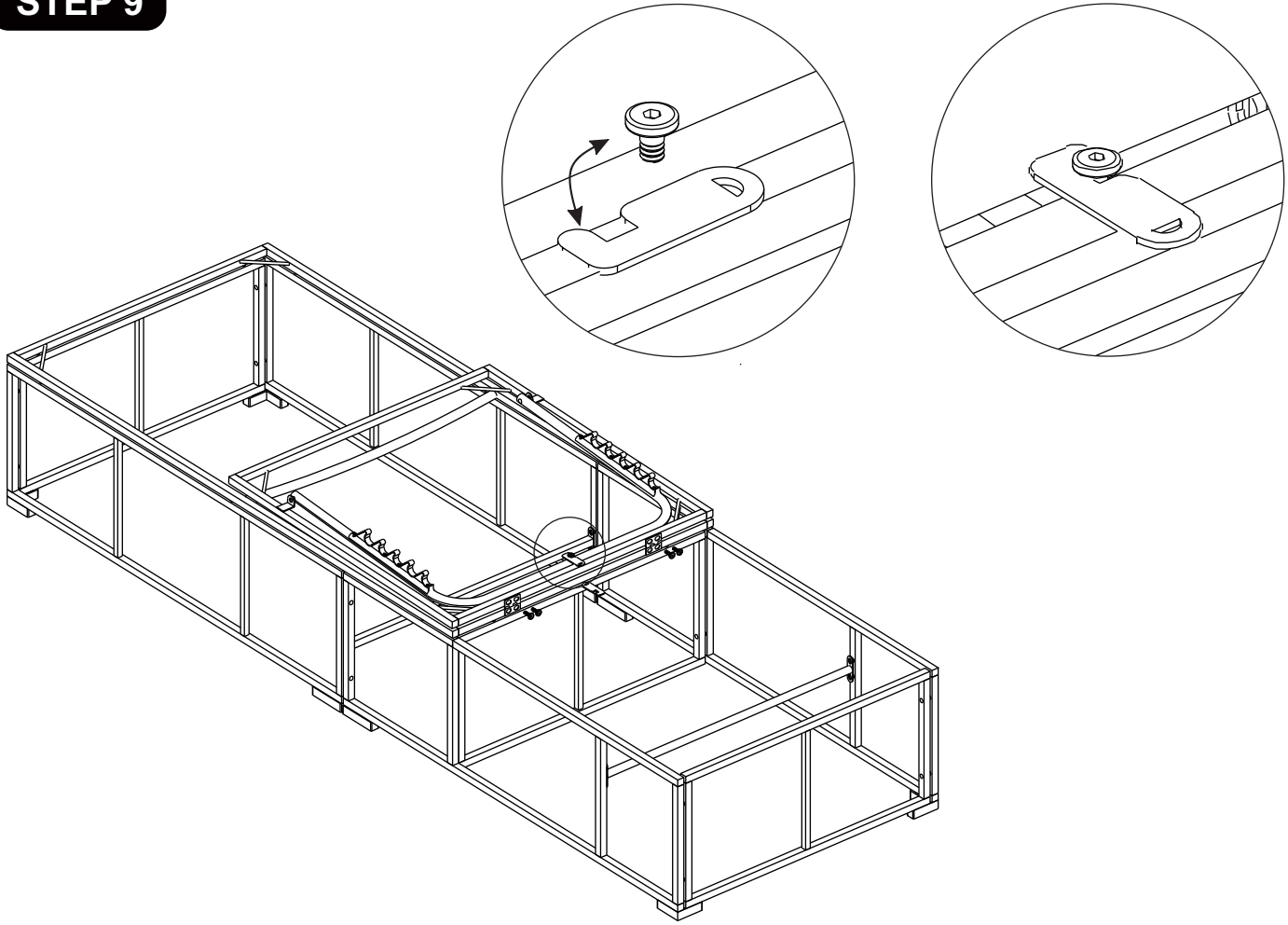


STEP 8

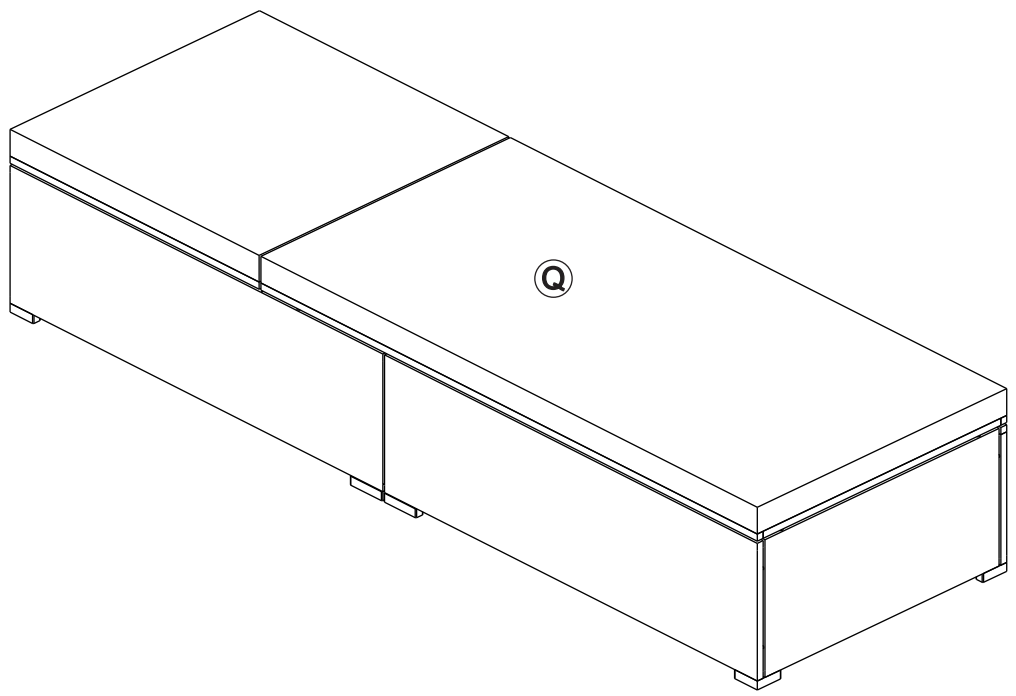
| | | | |
|---|---|---|---|
| ③  | ④  | ⑤  | ⑥  |
| 2 pcs | 4 pcs | 2 pcs | 2 pcs |



STEP 9



STEP 10



STEP 11

