

# HEADBOARD

Twin Size Duo Panel

King Size Duo Panel

Examine all packaging material for small parts that may have come loose during shipment. Periodic checks are recommended to insure that all components are in proper position, tight and free from damage. Keep this assembly instruction for future reference. Adult assembly required.

## PARTS LIST

- A (1) Duo Panel
- B (2) Leg Extensions

## HARDWARE LIST

- D (4) Long Allen Bolts
- E (4) Short Allen Bolts
- F (8) Spring Washers
- G (8) Metal Washers
- J (4) Hex Nuts
- K (1) Allen Wrench

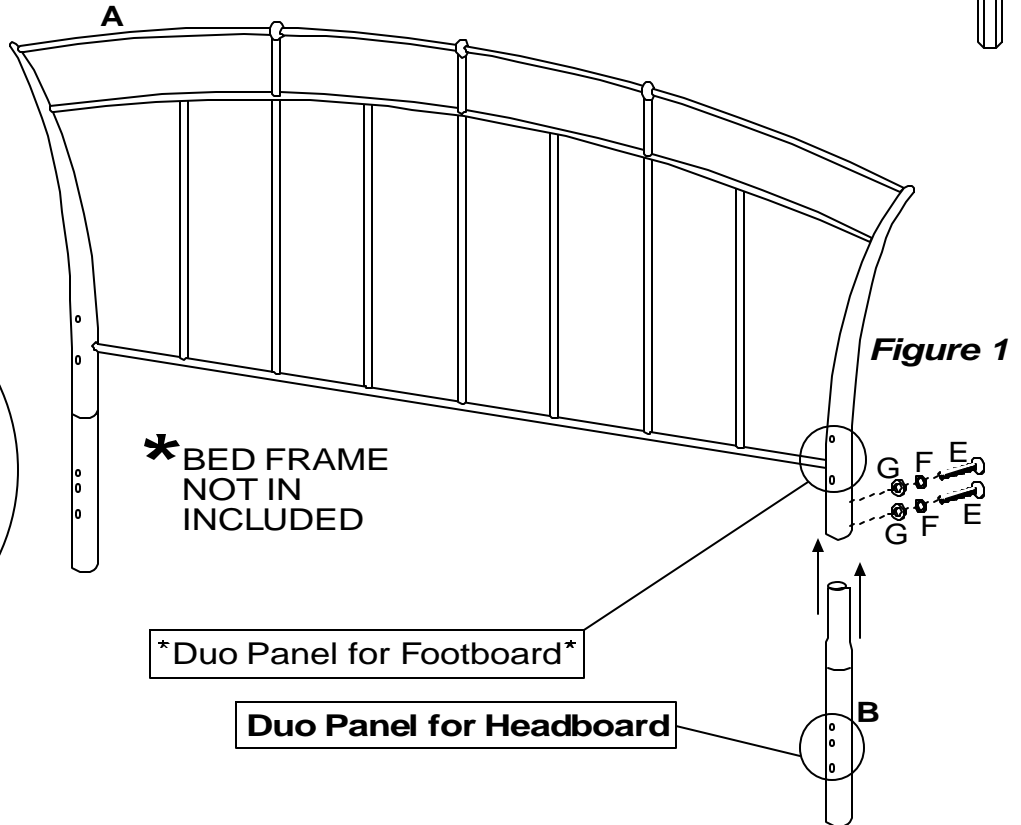
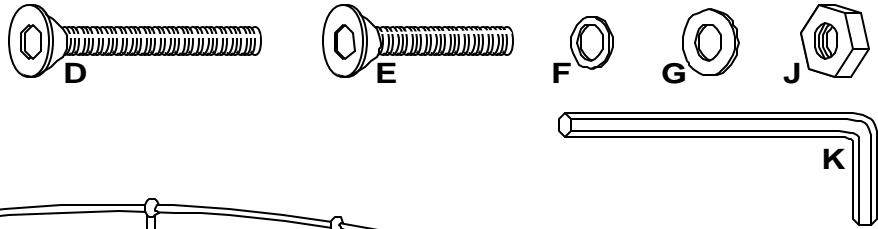


Figure 1

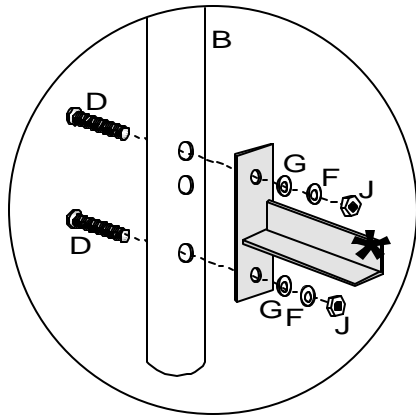


Figure 2

Can also be used for bed frame attachment for the footboard.

## STEP ONE

### For purchase of Headboard only

Begin assembly by first attaching each Leg Extension (B) to each Post on Headboard Grill (A), using 2 Short Allen Bolts (E), 2 Spring Washers (F) & 2 Metal Washers (G) per each post. Tighten all bolts only using Allen Wrench (K) provided. See Figure 1.

## STEP TWO

### Headboard only (footboard does not use leg extensions)

Attach Bed Frame (\*Not Included) to each Leg Extension (B), using 2 Long Allen Bolts (D) from the back side, 2 Metal Washers (G), 2 Spring Washers (F) & 2 Hex Nuts (J) per each post. Tighten all bolts only using Allen Wrench (K) provided. See Figure 2. Assembly is now complete.

*\*Keep this Instruction Sheet for future reference, Duo Panel can be transformed into a Footboard, simply by un-attaching Leg Extensions, and attaching Bed Frame to holes on front side of Duo Panel.*

**CARE & MAINTENANCE:** The touch of a soft cloth is all the maintenance the finish will ever need. Please do not use harsh or abrasive cleaners for polishing, as they may cause damage to the finish. Periodic checks are recommended to make sure that all bolts, screws and nuts are securely tightened.