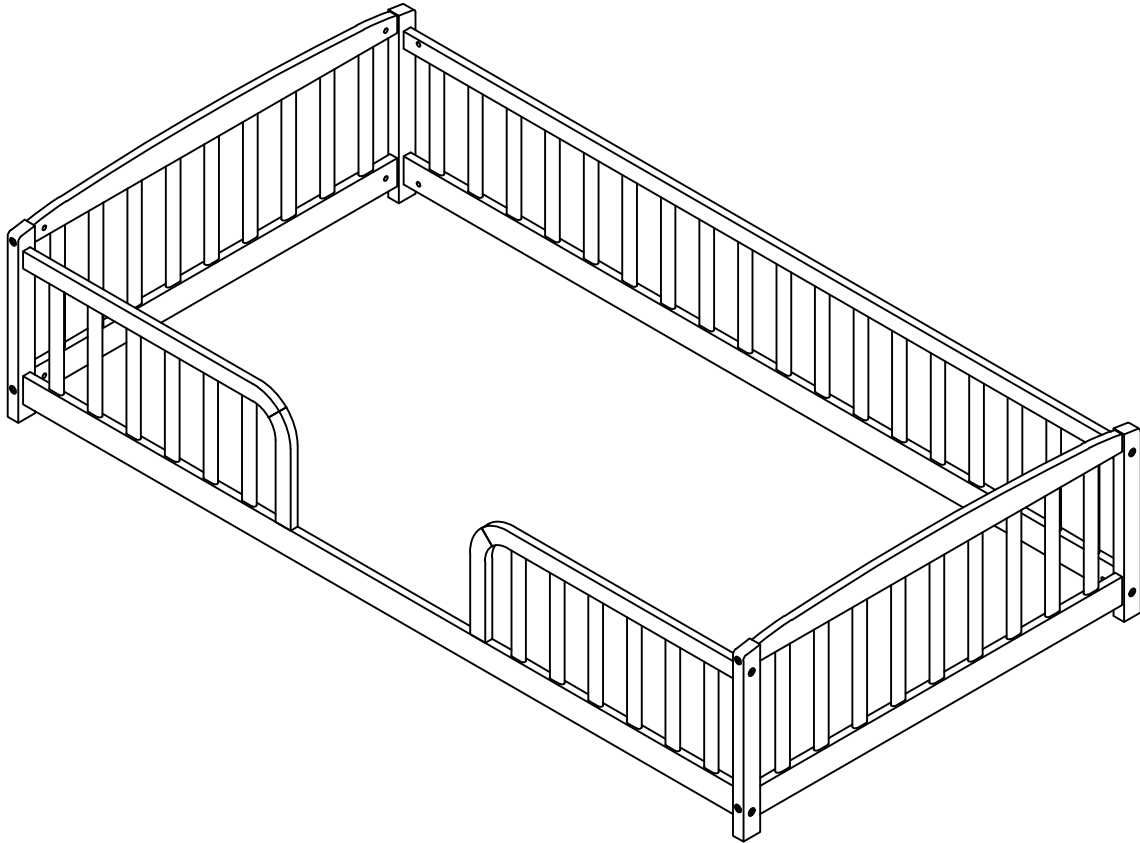


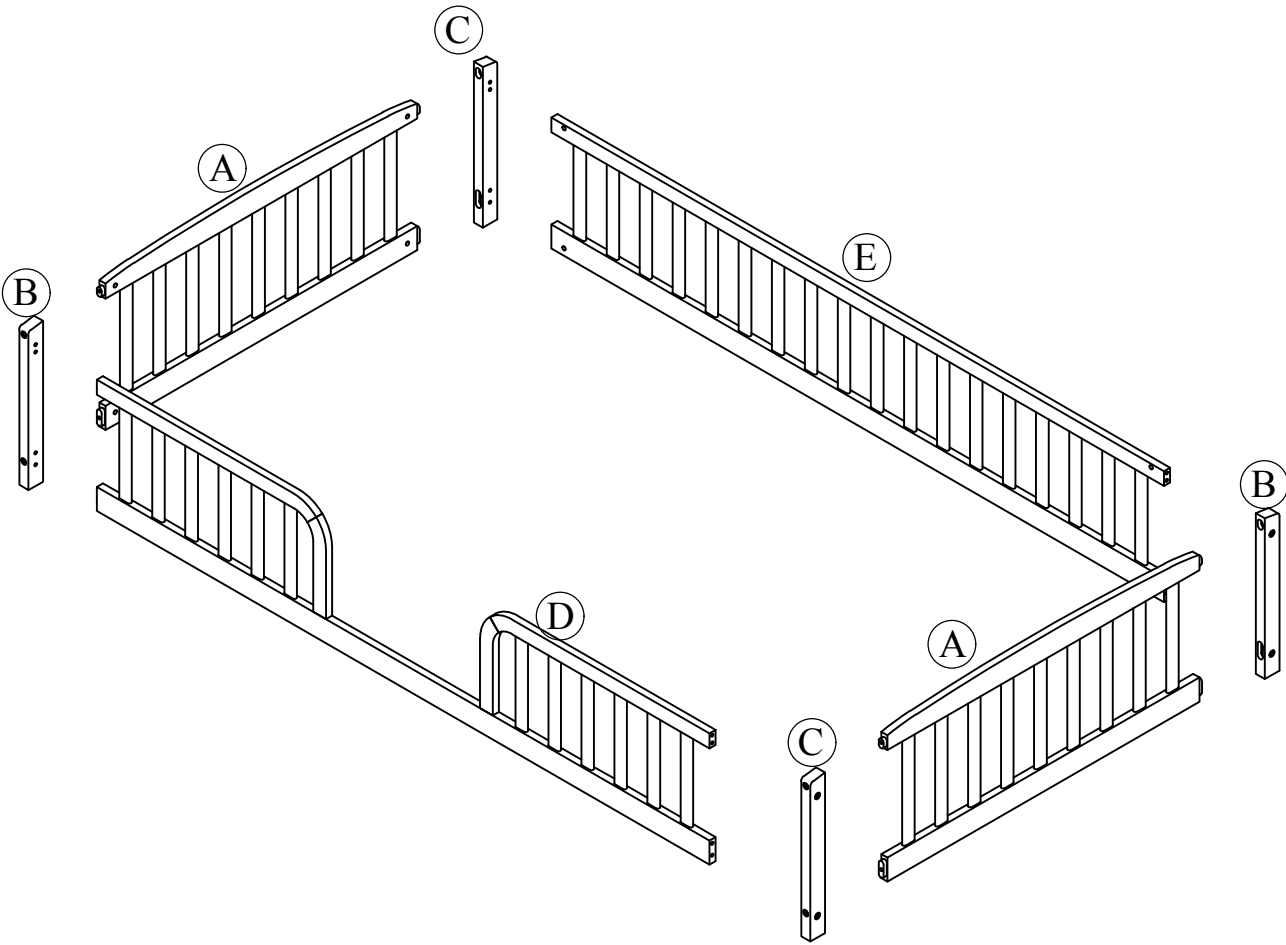
# ASSEMBLY INSTRUCTIONS

## TWIN FENCE FLOOR BED

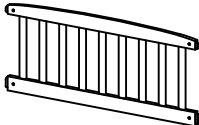
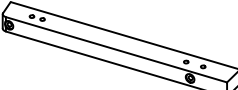
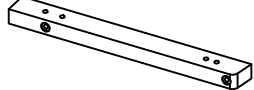
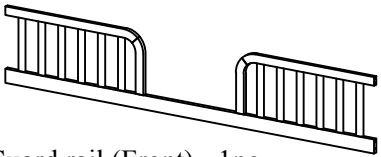



SD33035





# Detail View



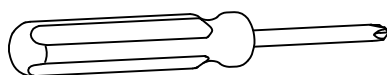
# Part List

<p>A</p>  <p>Guard rail - 2pcs</p>	<p>B</p>  <p>Leg ( Left )- 2pcs</p>	<p>C</p>  <p>Leg ( Right )- 2pcs</p>
<p>D</p>  <p>Guard rail (Front) - 1pc</p>	<p>E</p>  <p>Guard rail (Back) - 1pc</p>	

# Hardware List

<p>1</p>  <p>(Ø15) 1/4"*90</p>	<p>2</p>  <p>1/4"*15 (9.5mm)</p>	<p>3</p>  <p>Ø8*30mm</p>
<p>Hex-Head bolts (16pcs)</p>	<p>Horizontal-Hole bolts (16pcs)</p>	<p>Wood dowel (8pcs)</p>
<p>4</p>  <p>(1/4") 4*58mm</p>		
<p>Allen key (1pc)</p>		

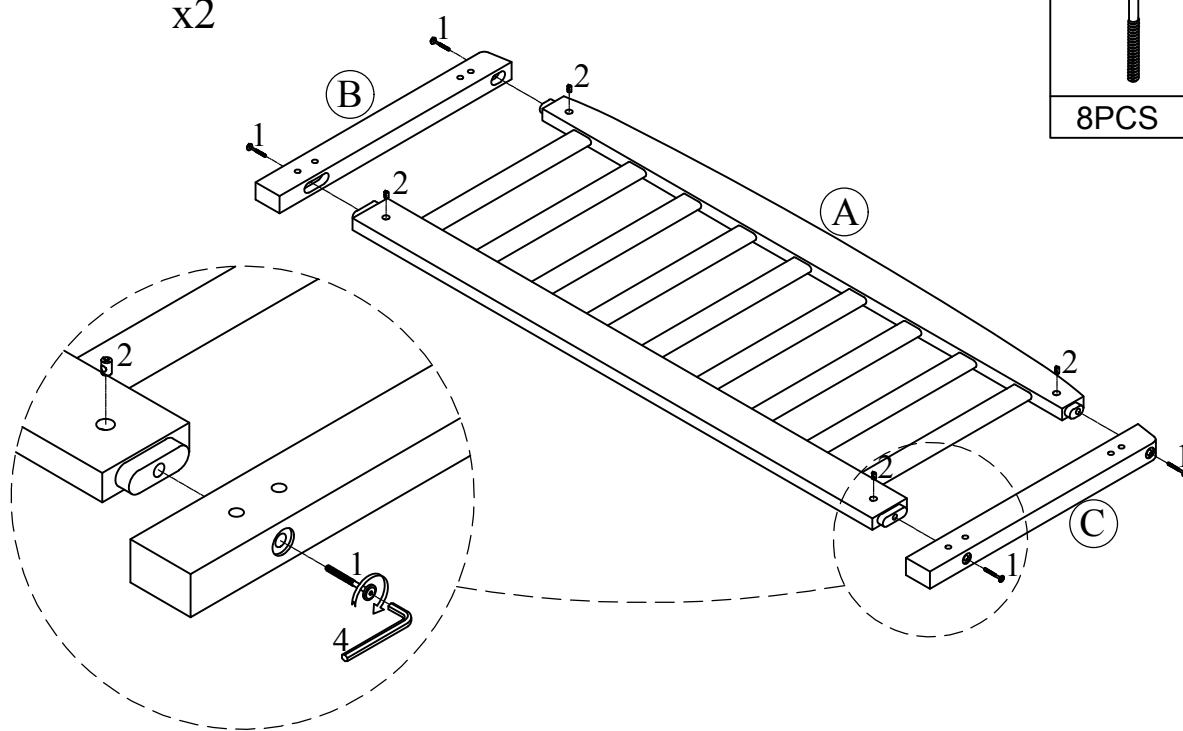
ASSEMBLY TOOLS REQUIRED ( NOT INCLUDE)



PLEASE BE CAREFUL DO NOT DAMAGE THE HOLE POSITION WHEN YOU USE POWER TOOLS !

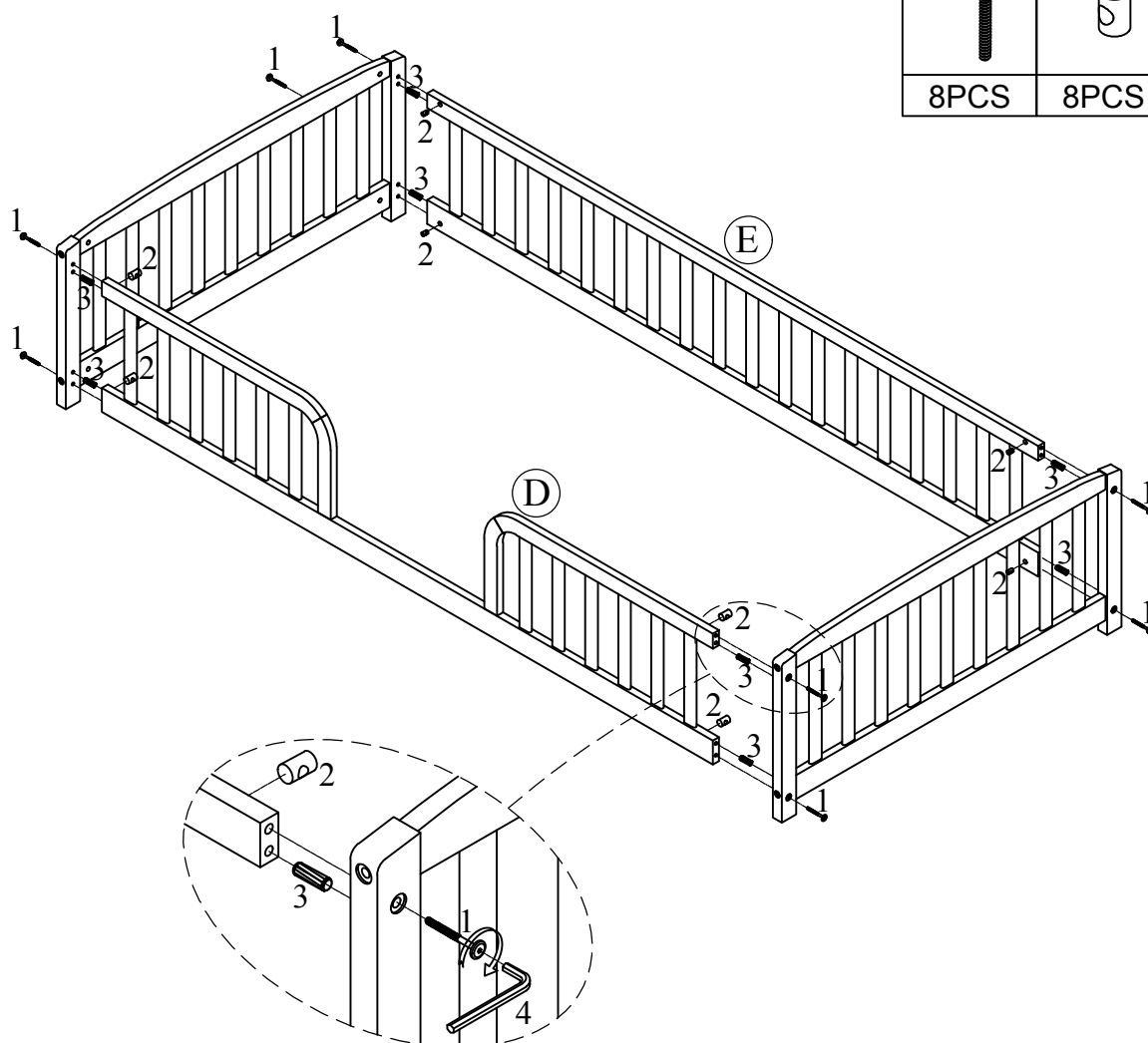
**STEP 1:**

x2



1	2
8PCS	8PCS

**STEP 2:**



1	2	3
8PCS	8PCS	8PCS

FINISH

