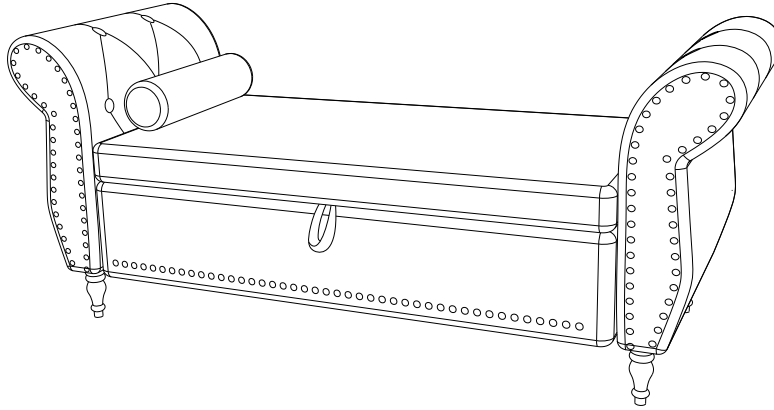
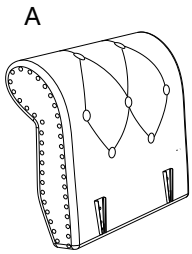


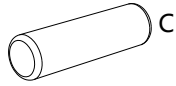
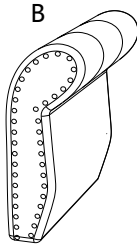
# ASSEMBLY INSTRUCTION



## PARTS LIST



ARM REST L+R (2 PCS)



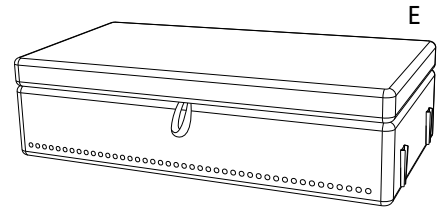
PILLOW (1 PC)



LEGS (4 PCS)



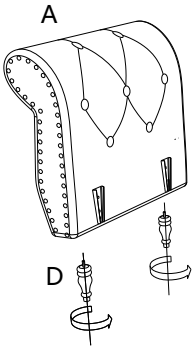
All Parts Inside  
Seat Box



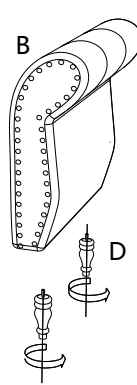
SEAT BOX WITH STORAGE (1 PC)

## ASSEMBLY

### STEP 1-1

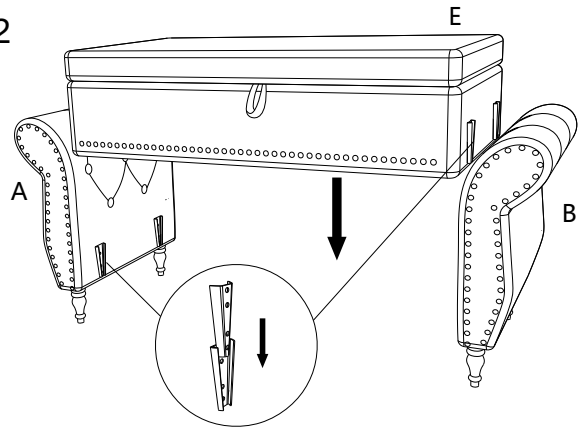


### STEP 1-2

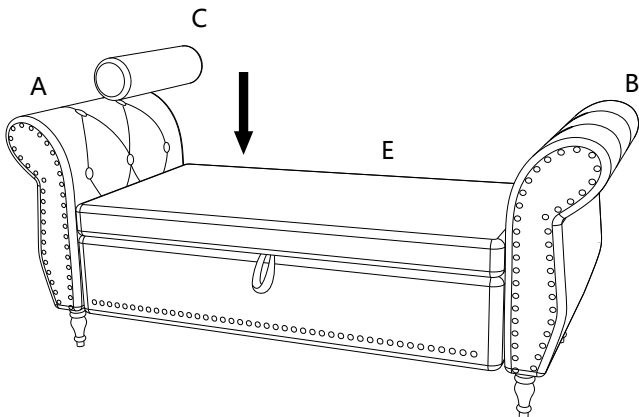


Notice:  
MAKE SURE ALL THE  
LEGS ARE FASTENED.

### STEP 2



### STEP 3



### OPEN FOR STORAGE

