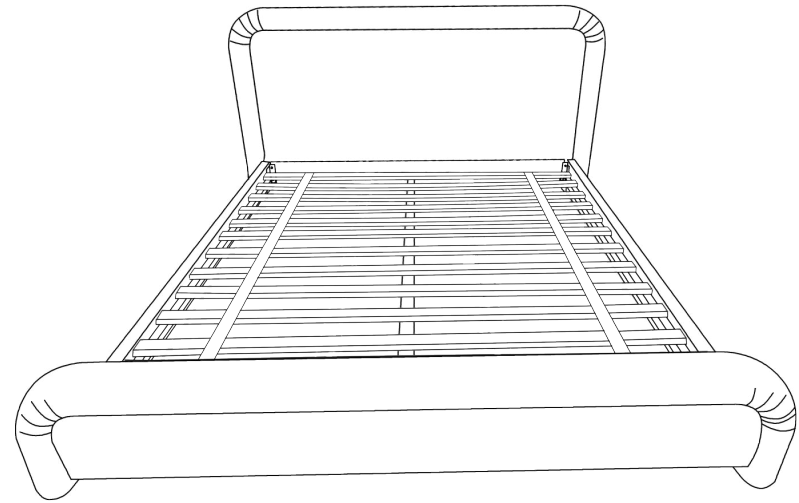


ADELLE QUEEN BED

DESIGN # SFV4874-Q

Assembly Instructions



Need help?

Feel free to contact us via email or call if you have any specific questions!

contact us:

cs@safavieh.com

866-422-9070

SAFAVIEH
C O U T U R E

Thanks for bringing Safavieh Couture into your home

Every thing we make is incredibly simple to set up, including your new bed. You won't need any additional tools.

Parts List

A x 1
HEADBOARD



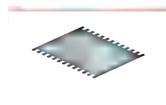
B x 1
FOOTBOARD



C x 2
SIDEBOARD



D x 1
SLAT



E x 1
CROSS SLAT



F x 2
SUPPORT LEG FOR
CROSS SLAT



Hardware List

HW1 x 9
Phillips Screws 4*2*40mm

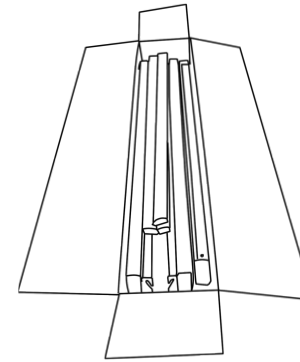


HW2 x 1
Wrench



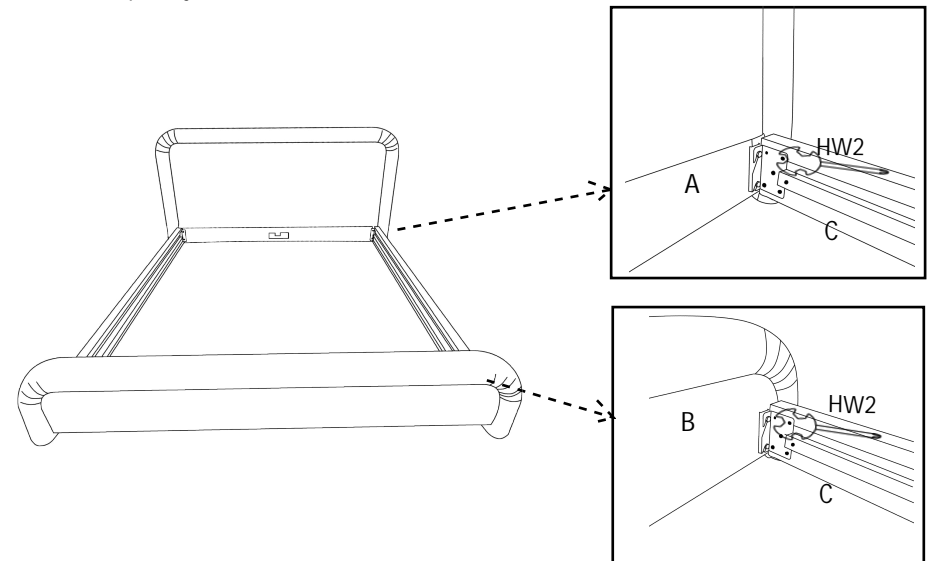
1

Open the box and take out all of the parts and hardware.



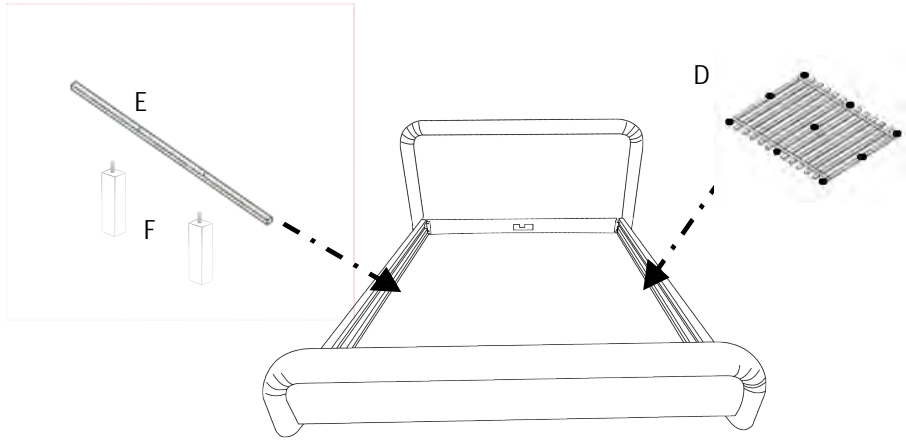
2

Attach the 2 siderails (C) to the headboard (A) and footboard (B) by sliding the metal plates on the siderails onto the screws as shown. The 2 metal pieces should be aligned. If its hard to install, you can unscrew the screws a little to attach the metal plates, then use the wrench (HW2) to completely screw in the screws.



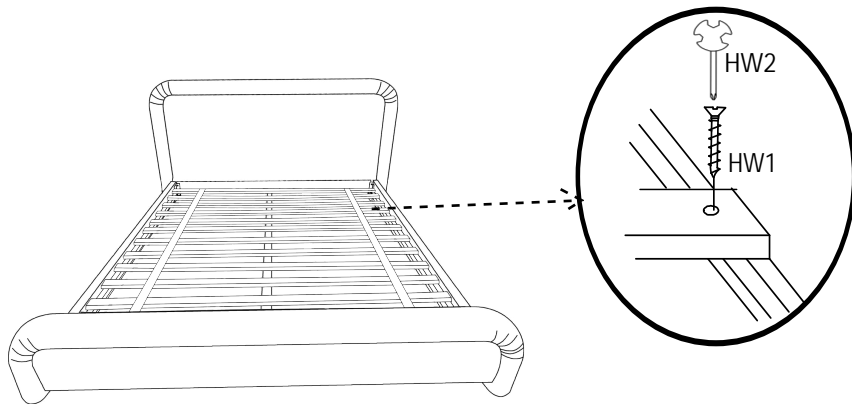
3

Screw the support legs (F) into the cross slat (E). Place them in the center of the bed. Place the slats (D) on top of the support legs as shown.



4

Attach the slats (D) to the bed by using the wrench (HW2) to screw in the 9 screws (HW1) in the 9 spots shown in step 3.



5

Place the bed in the place where you will use it. We'd love to see it – just tag us (were @safavieh) and use the hashtag #safavieh on Instagram!

@safavieh

