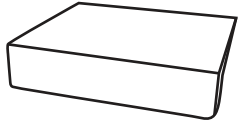


PARTS AND HARDWARE

Avoid using sharp objects such as a knife to cut open packing as you may accidentally damage the upholstery.



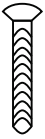
A. Backrest
2x



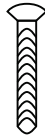
B. Seat
2x



C. Arm
4x



D. Bolt M6 x 30
16x



E. Bolt M6 x 35
4x



F. Chair Washer
20x



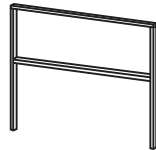
G. Cushion
2x



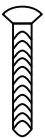
H. Table Frame
1x



I. Table Legs
2x



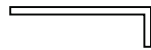
J. Table Side
2x



K. Table Bolt
12x



L. Table Washer
12x



M. Allen Key
1x

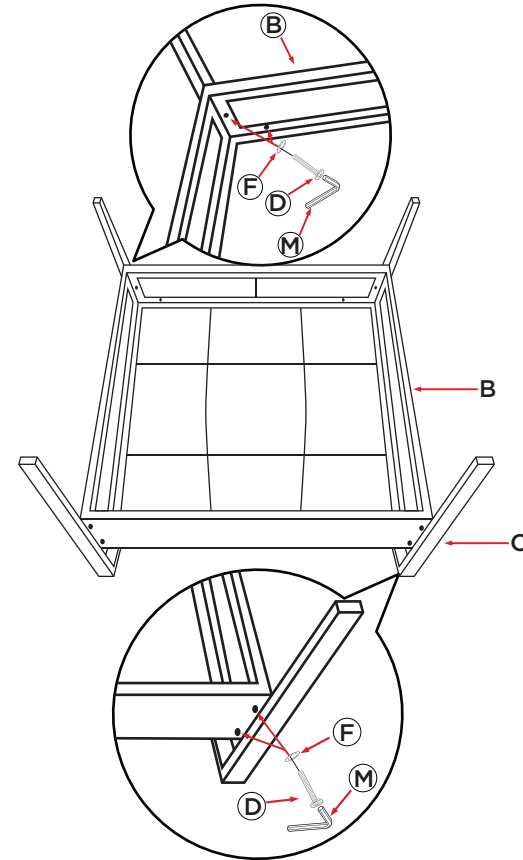


N. Glass
1x

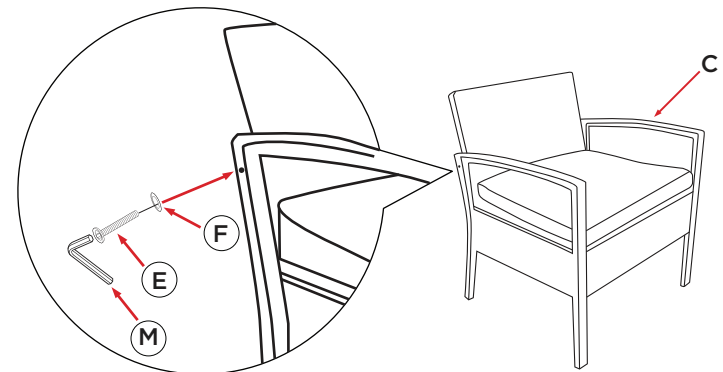
ASSEMBLY INSTRUCTIONS

Do not fully tighten bolts until assembly is complete.

- 1 Attach Arm sides (C) to back rest (A) and Seat (B) using bolts (D) and washers (F)



- 2 Attach Arms (C) to back rest (A) using bolts (E) and Washers (F)



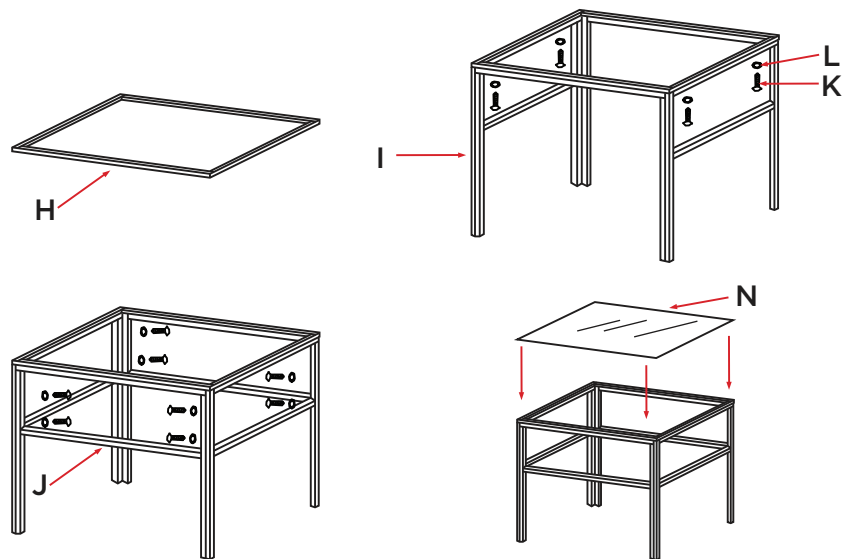
*Repeat steps 1-2 for the second Single Seater.

Model: _____

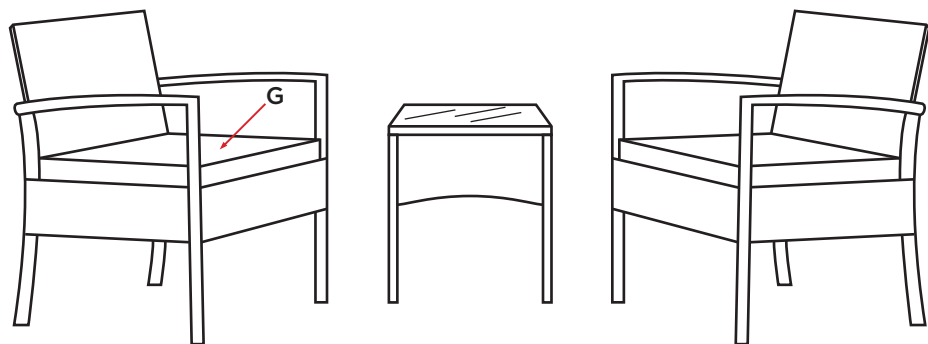
Lot No: _____

Date of Purchase: _____

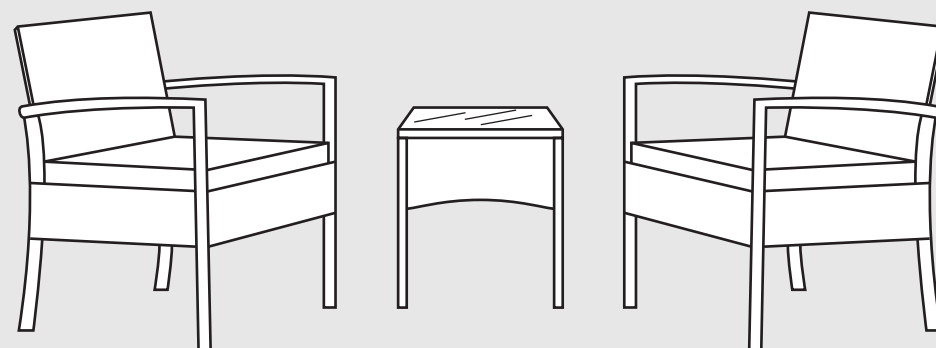
3 Attache Table legs (I) to table Frame (H) and Table Sides (J) using Bolts (K) and washers (L), Place table glass onto of table frame once assembled



4 Place Cushions onto assembled chair frames and enjoy your new outdoor seating.



3 PC SET



ADULT ASSEMBLY REQUIRED

If you are missing any parts or have any questions regarding assembly, do not return this item to the retailers store. Please call our toll-free customer service number and have this assembly manual open to the parts list ready to provide the model name, and part name or number.



WARNING: This product may contain small components, please ensure they are kept away from small children.