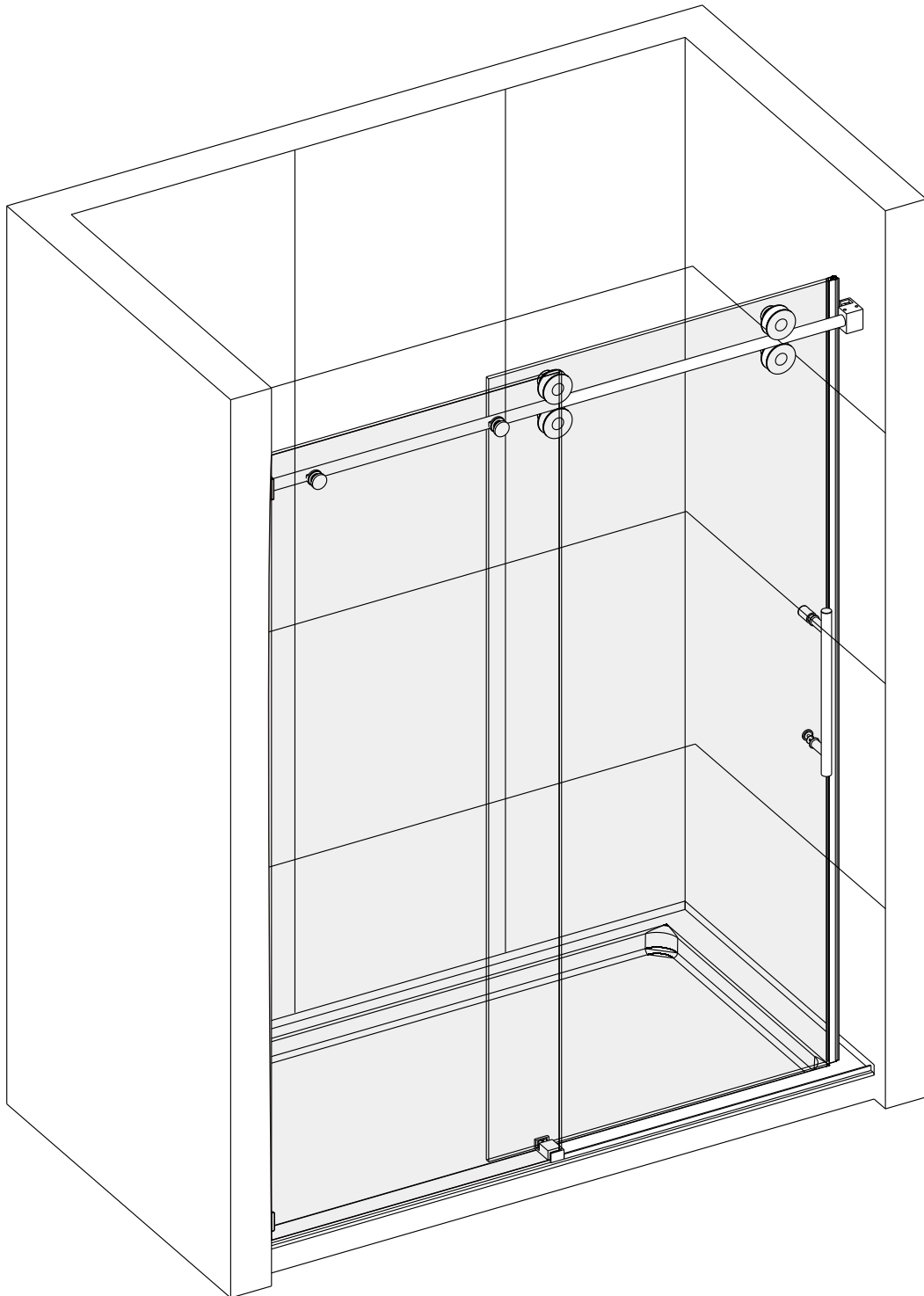


INSTRUCTION MANUAL



2 PEOPLE REQUIRED

***Please keep this manual and product code number for future reference
and for ordering replacement parts if necessary.***

GENERAL INSTRUCTIONS

- Read this manual carefully and completely before proceeding.
- It is recommended that you wear safety glasses at all times during the installation.

INSTALLATION OVER CERAMIC TILES

- If your shower door is to be installed over ceramic tiles, the tiles should lay completely under the wall jamb.
- Silicone should be used to seal the gap where the ceramic tiles meet the fixed panel.

NOTICE

- Caulking: no sealant is required inside the shower, unless otherwise stated.
- Some models are equipped with clear sealing gaskets.

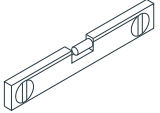
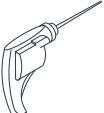


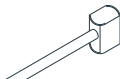

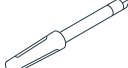

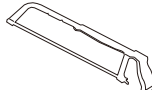

CARE FOR YOUR SHOWER DOOR

- Never use scouring powder pads or sharp instruments on metal pieces or glass panels.

An occasional wiping down with a mild soap diluted in water is all that is needed to keep the panels and metal parts looking new.

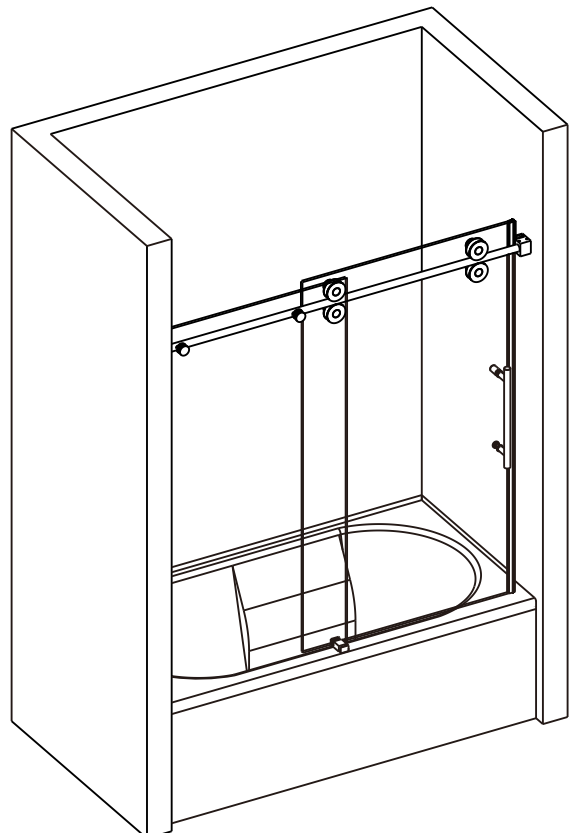
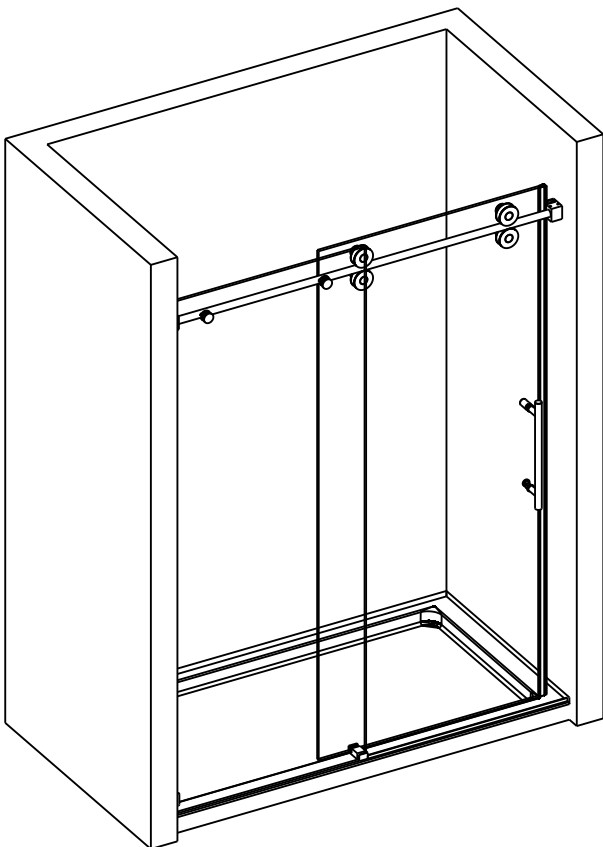
- We recommend wiping the glass panels with a squeegee after each use.

TOOLS REQUIRED

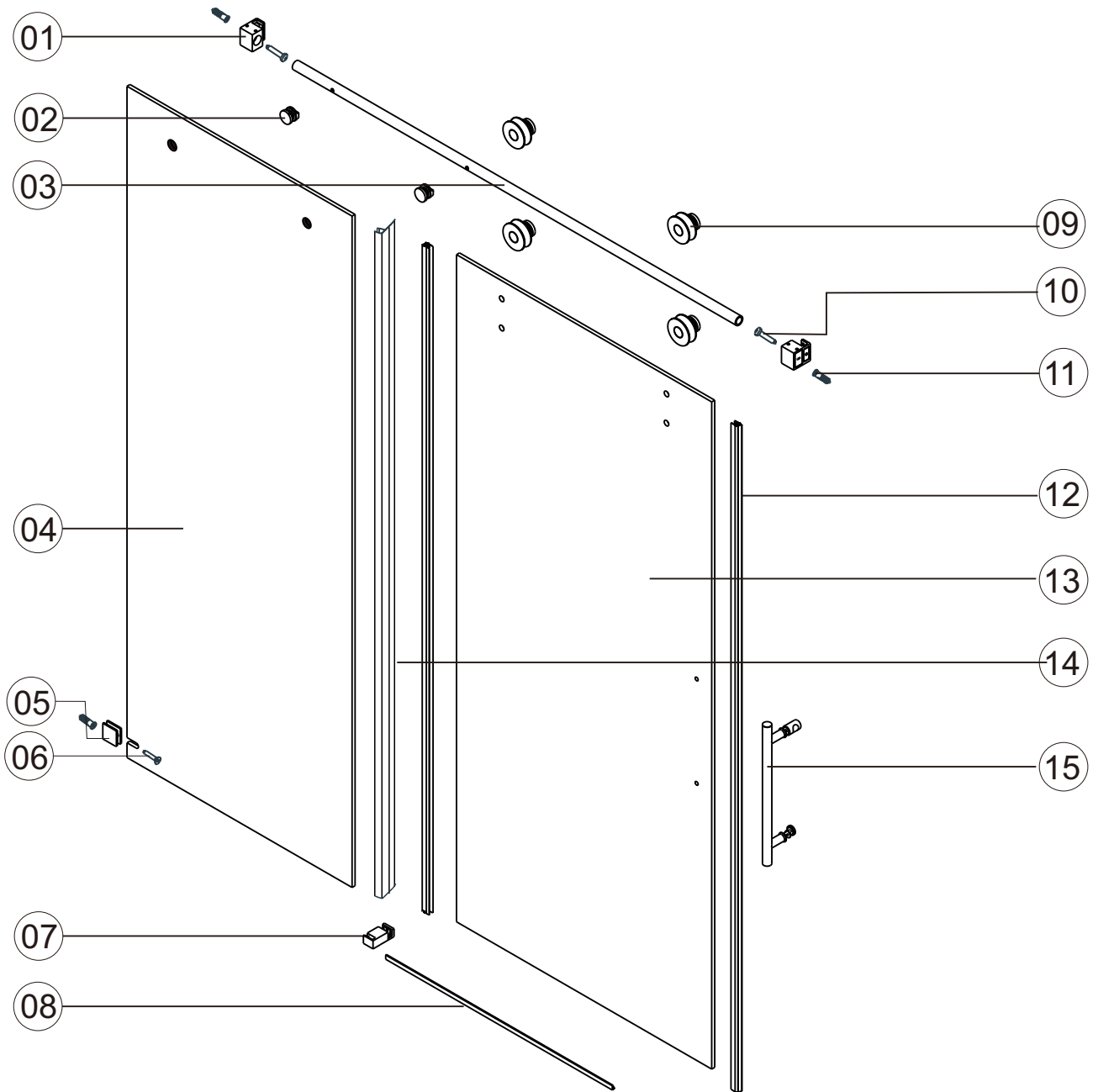
 SPIRIT LEVEL	 POWER DRILL	 PENCIL	 SILICONE	 MALLET
 TAPE MEASURE	 SCREW DRIVER	 6mm&3mm(1/4" & 1/8") DRILL BITS	 HACKSAW	 SAFETY GLASSES






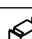


* Use a 6mm(1/4") drill bit for ceramic when drilling into ceramic tiles








CHOOSE A CONFIGURATION



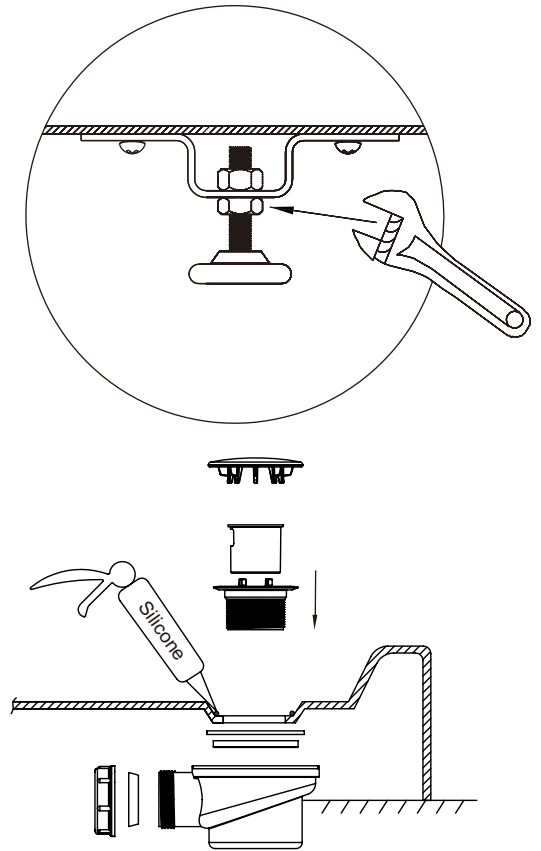
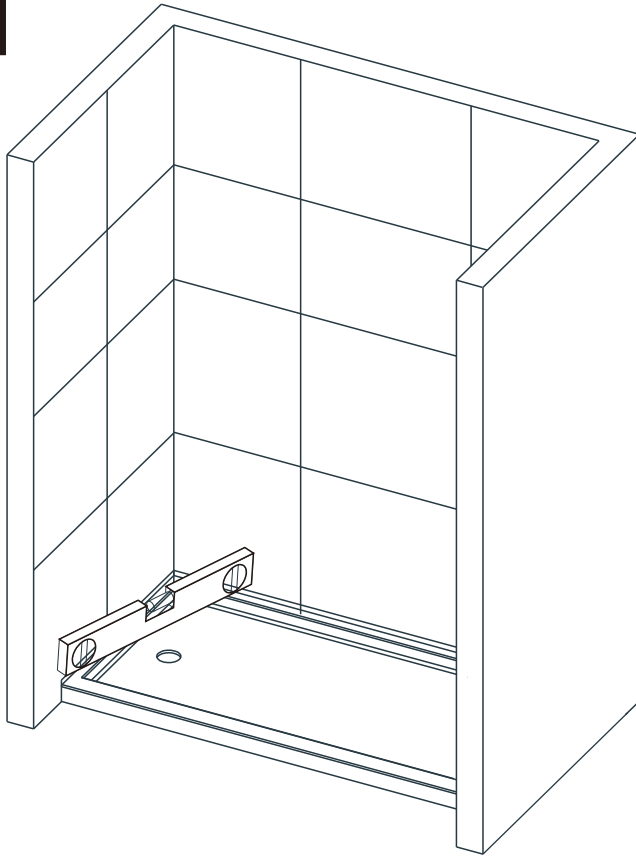
PARTS LISTING



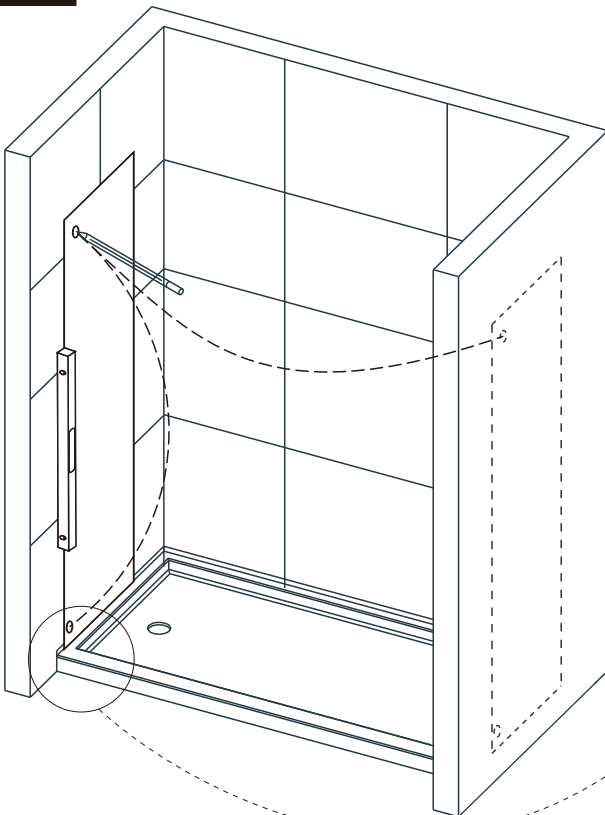
ITEM	PARTS	DIAGRAM	QTY
1	Guide rail bracket		2
2	Track holder for fixed panel		2
3	Rail		1
4	Fixed panel		1
5	Glass Clamp		1
6	Screw St4x20		1
7	Bottom guide		1
8	Anti-splash threshold		1

ITEM	PARTS	DIAGRAM	QTY
9	Ø55 Roller		4
10	Screw St4x30		2
11	Wall plugs Ø6		2
12	Door seal		2
13	Sliding door		1
15	Handle		1
14	Fixed panel seal		1

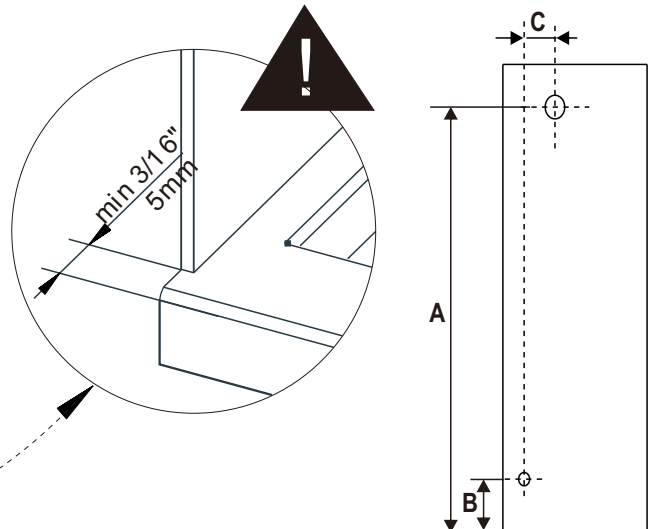
1



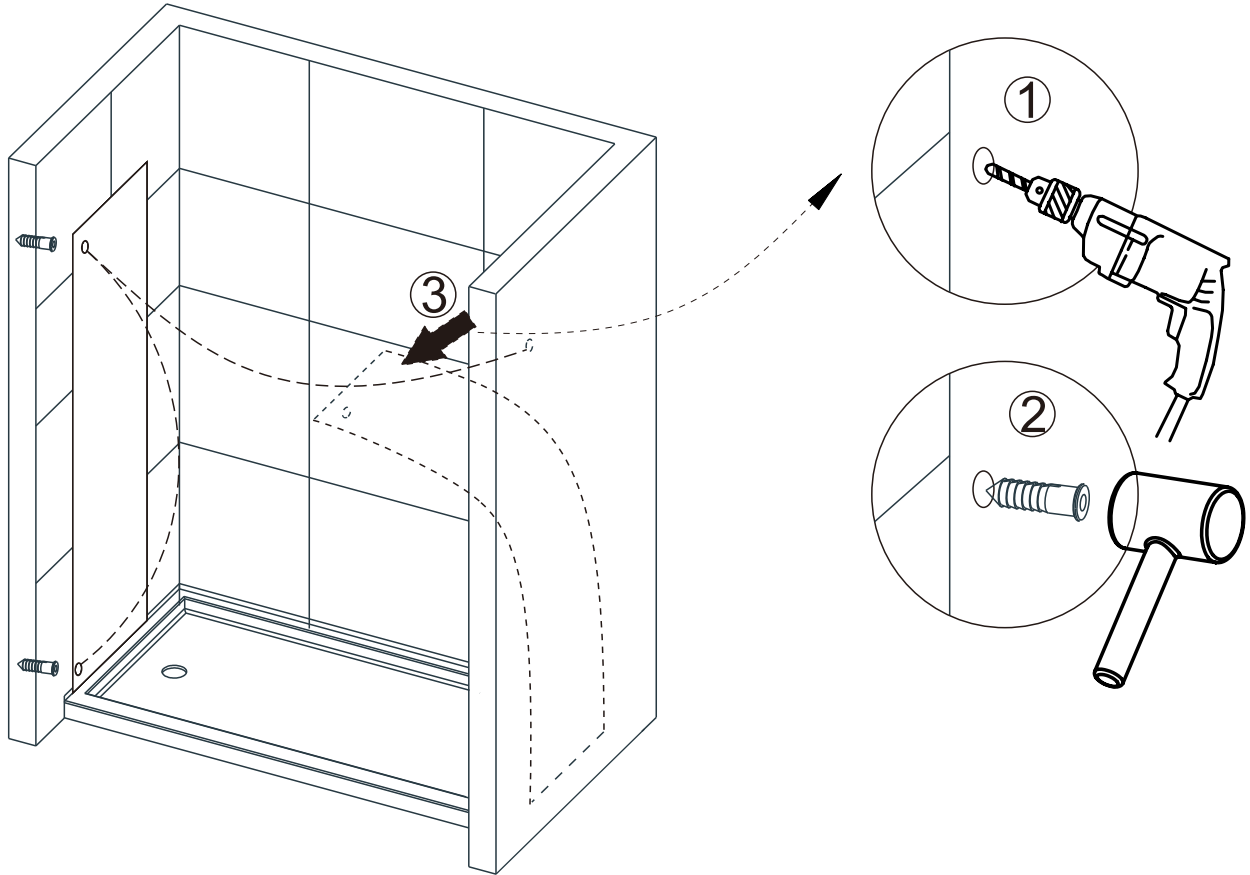
2



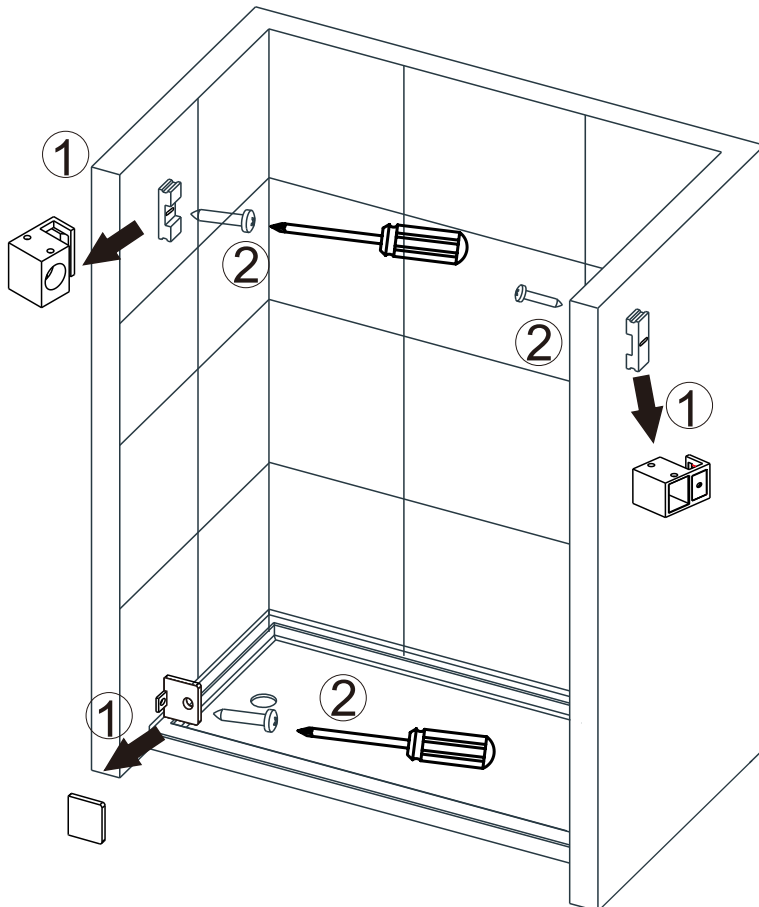
Product Height	A	B	C
60"(1524mm)	56 1/4"(1429mm)	5 7/8" (150mm)	1" (25.4mm)
62"(1575mm)	58 1/4"(1480mm)		
66"(1676mm)	62 1/4"(1581mm)		
72"(1828mm)	68 1/4"(1733mm)		
76"(1930mm)	72 1/4"(1835mm)		
78"(1981mm)	74 1/4"(1886mm)		
79"(2006mm)	75 1/4"(1911mm)		



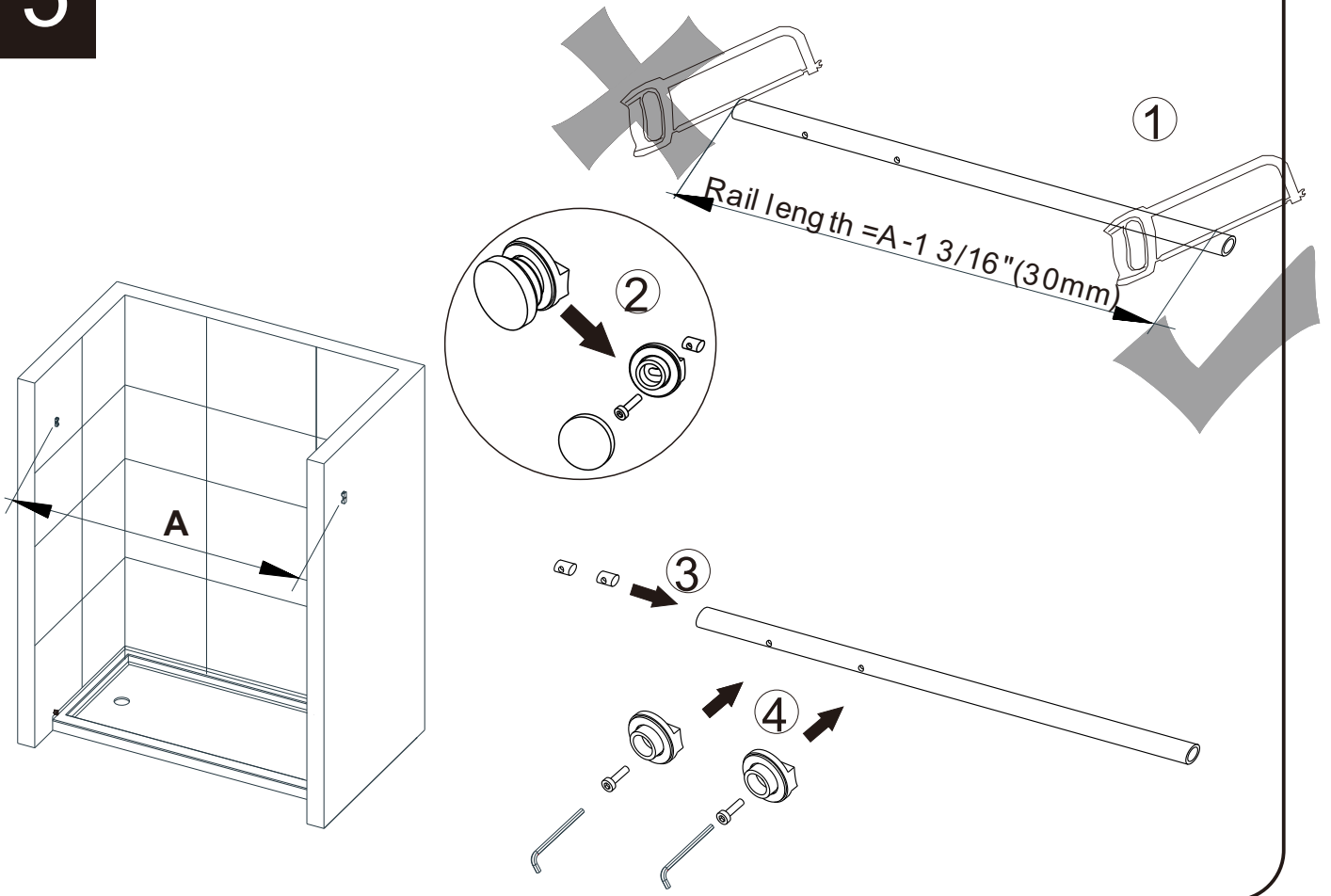
3



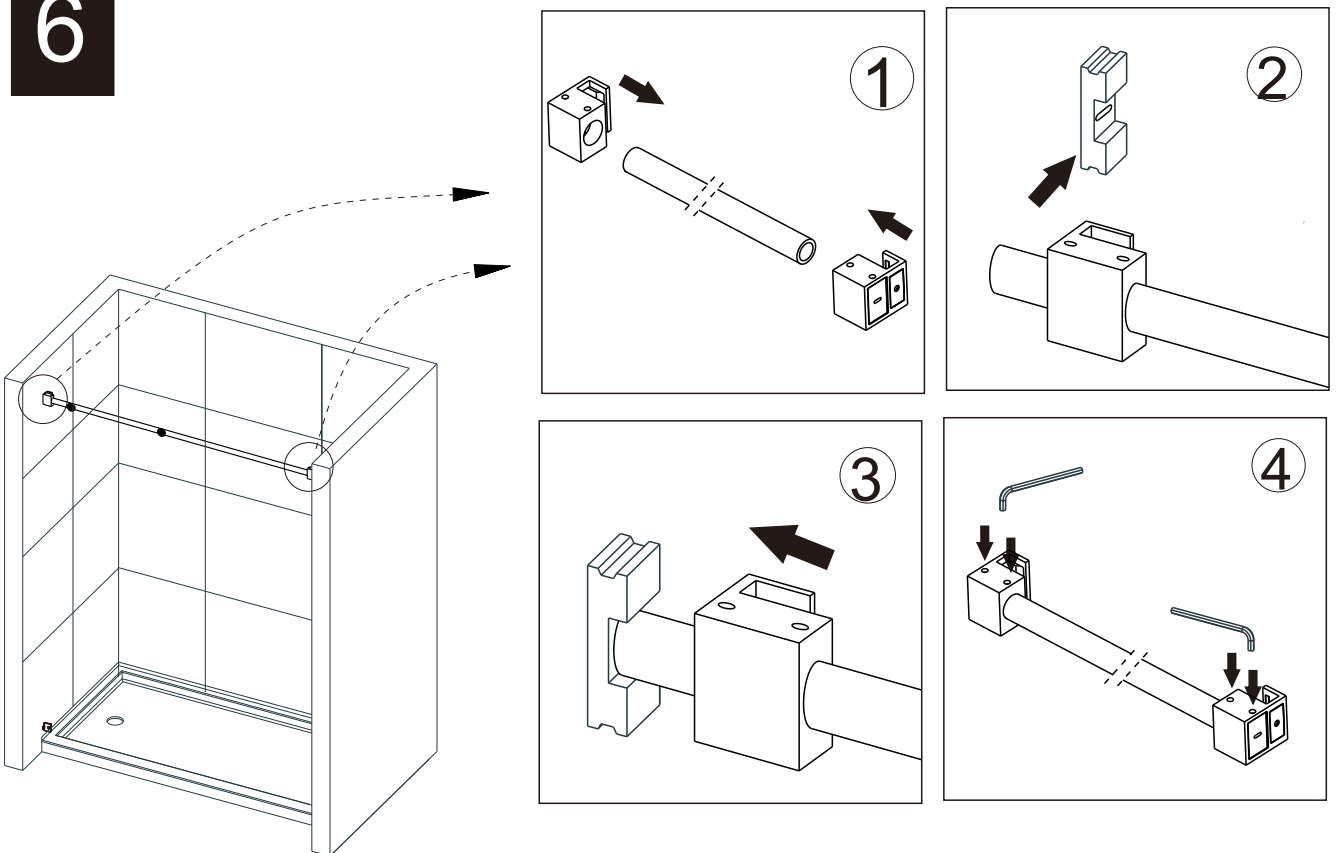
4



5



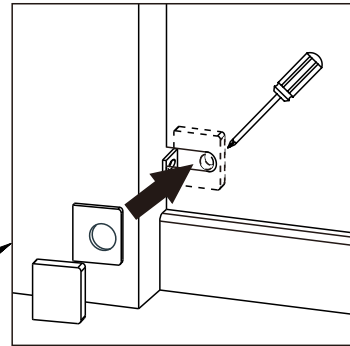
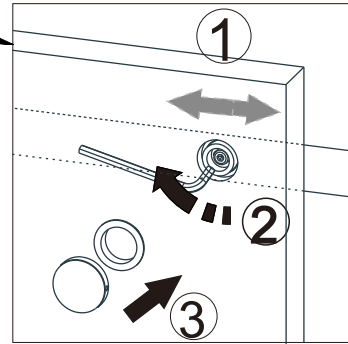
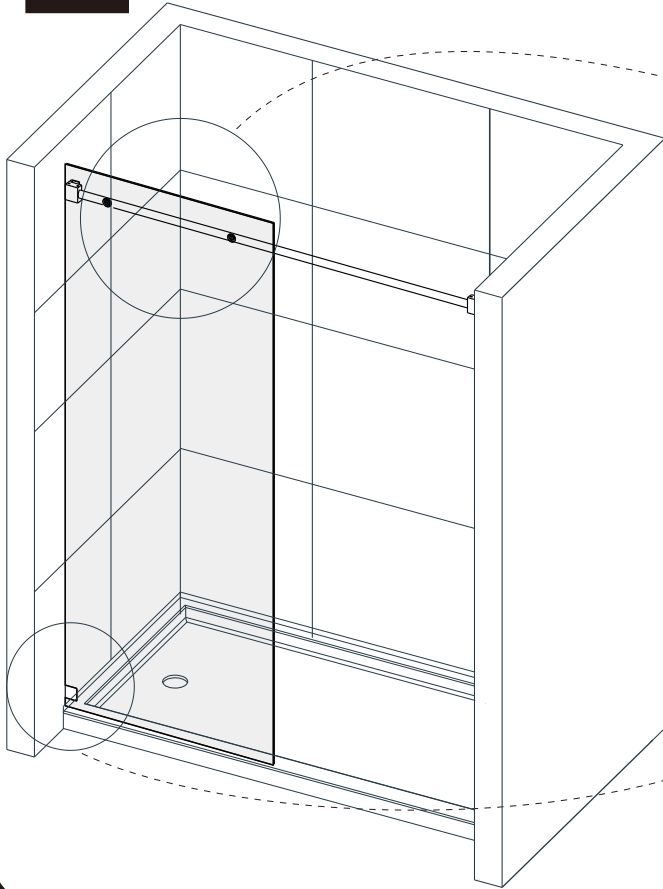
6



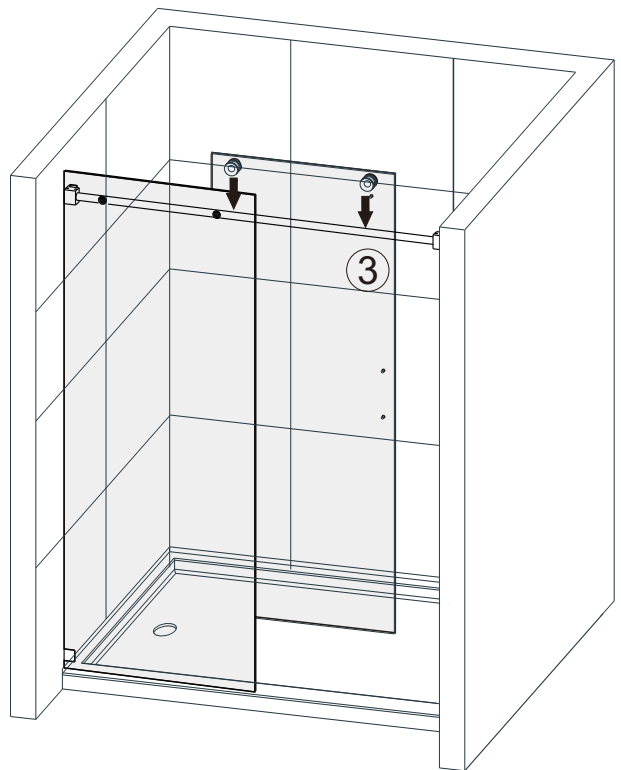
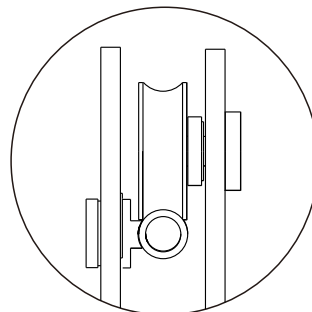
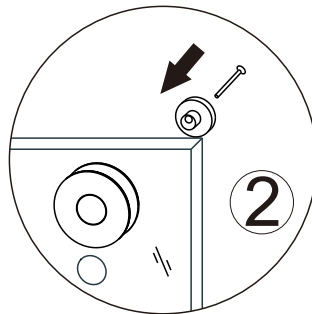
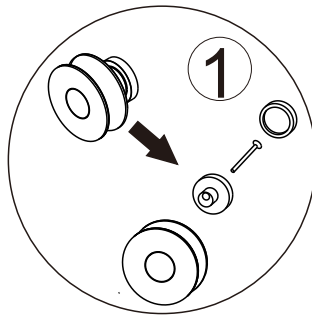
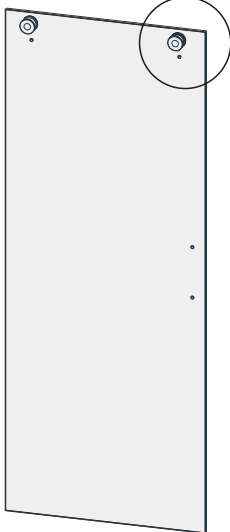
7



The glass side that treated with easy-cleaning should toward inside

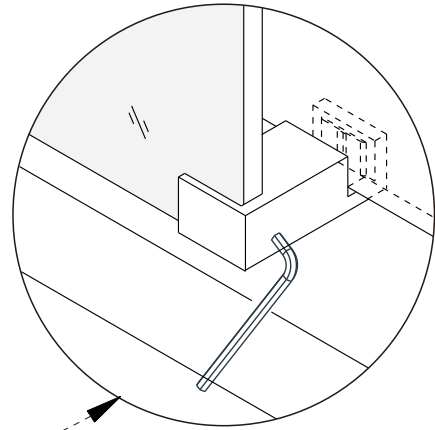
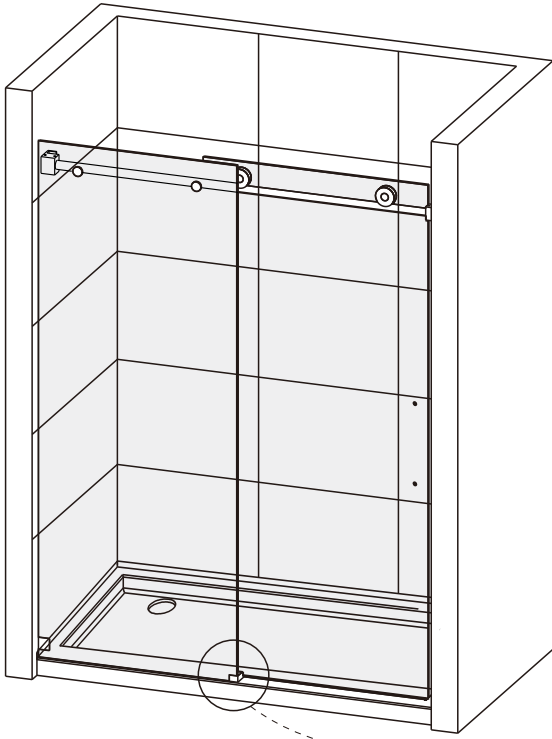


8

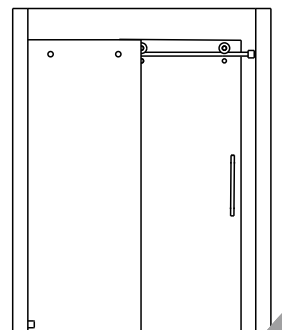
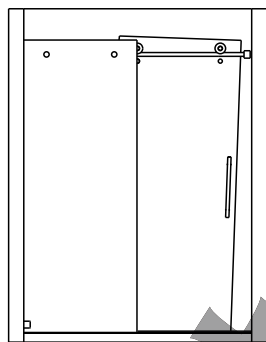
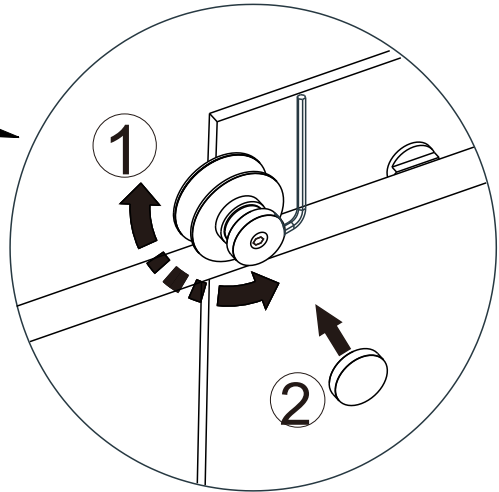
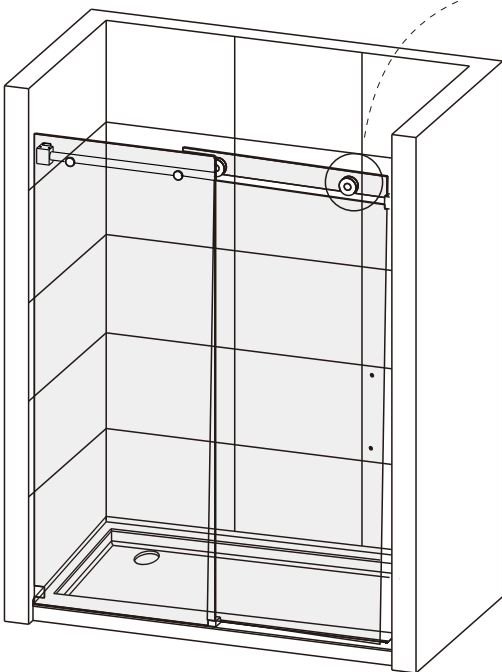


The glass side that treated with easy-cleaning should toward inside

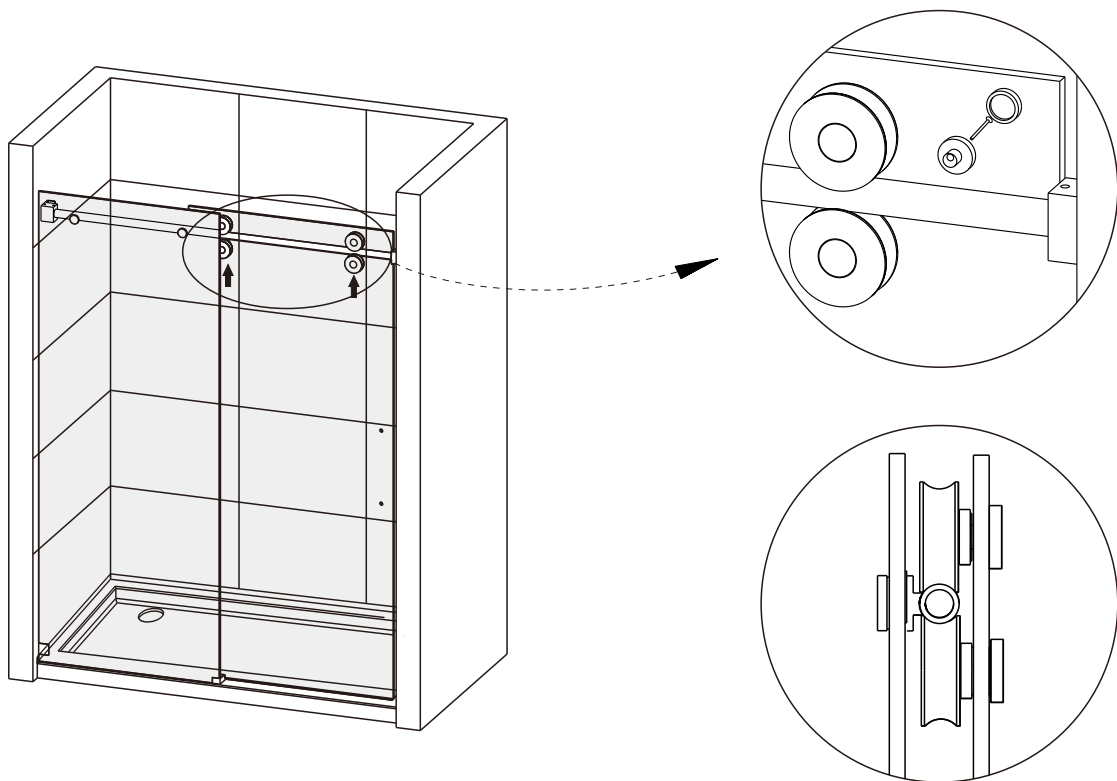
9



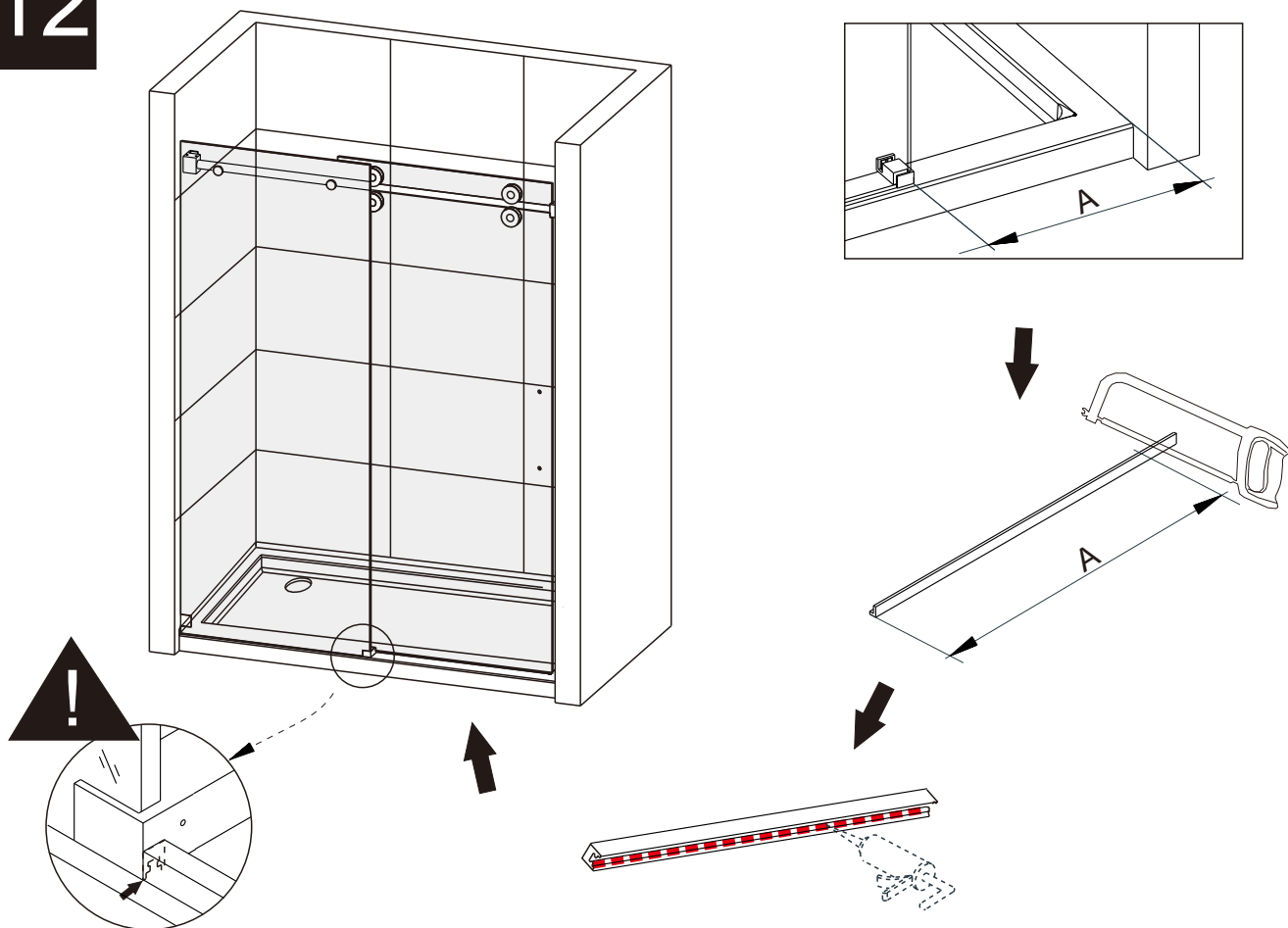
10



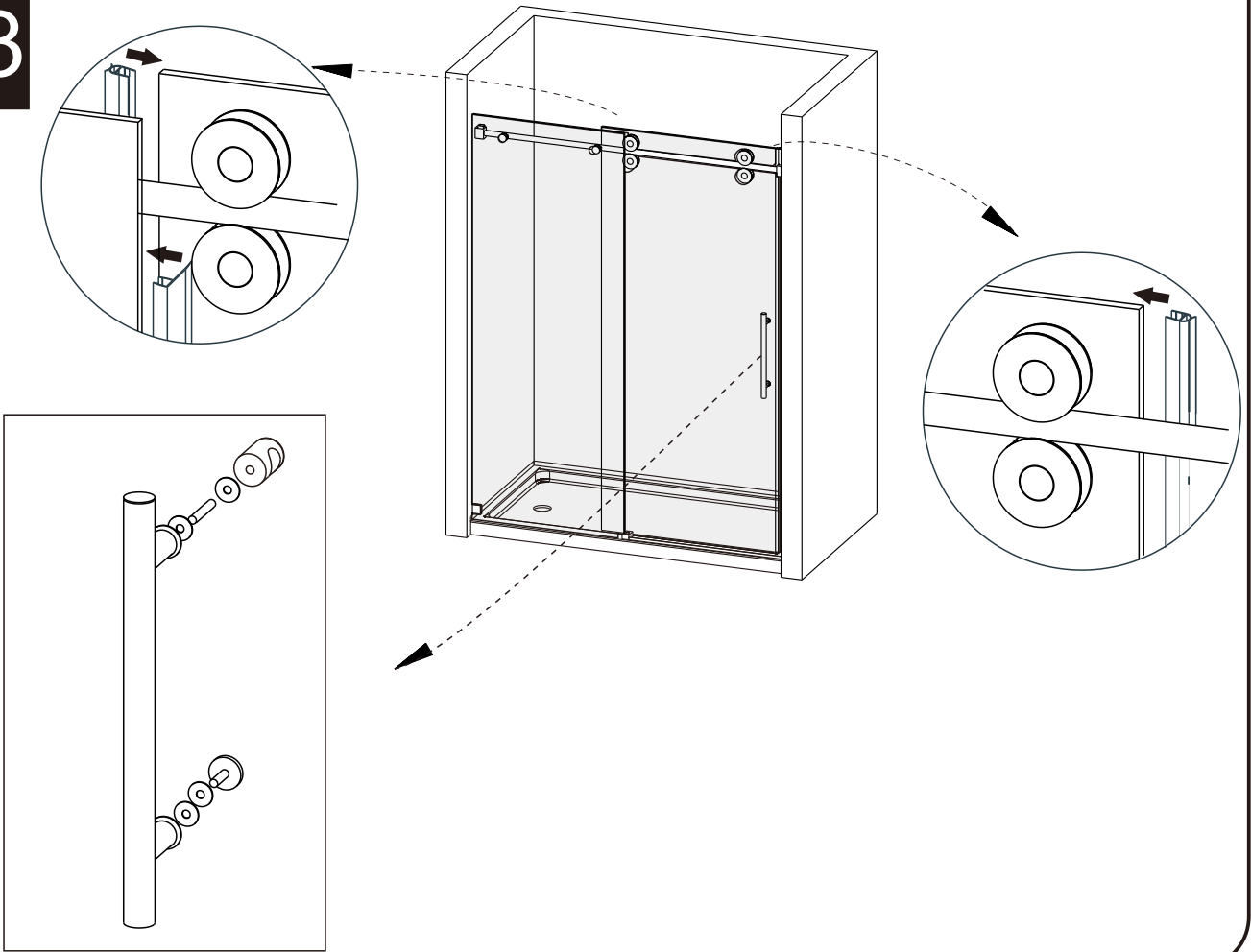
11



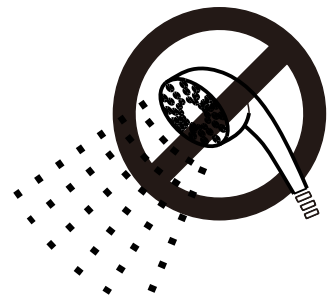
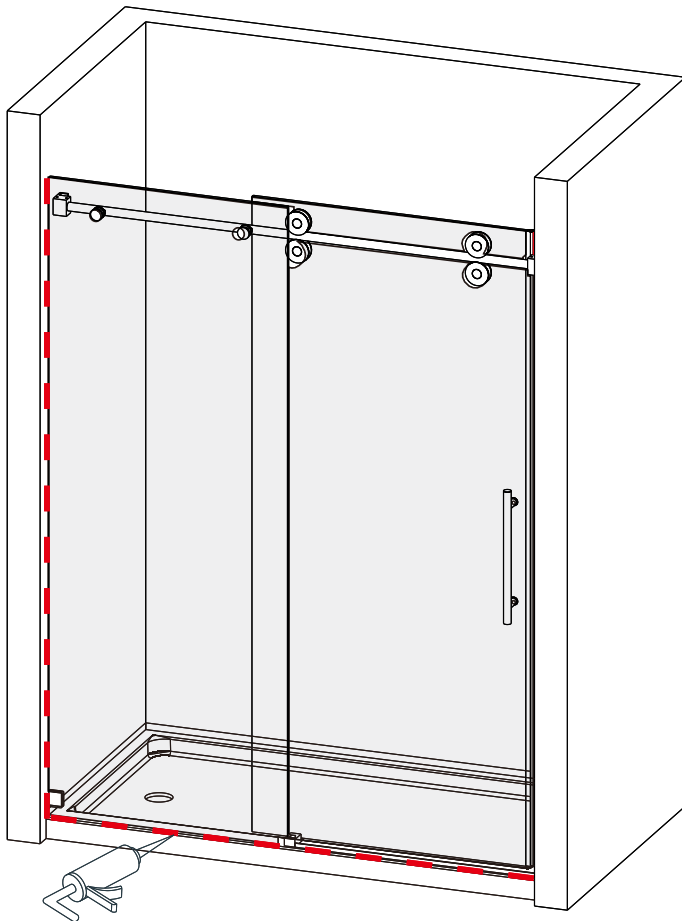
12



13



14



24 HOURS