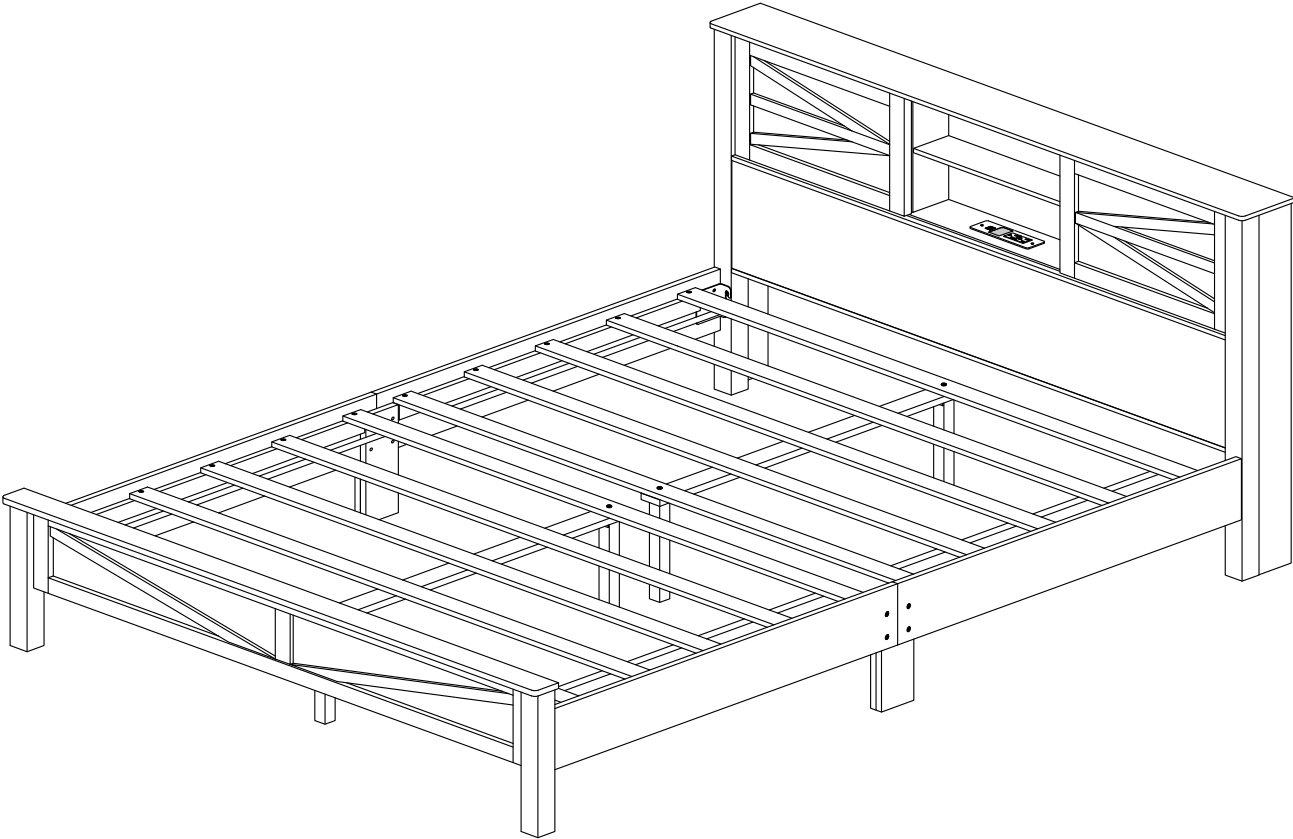


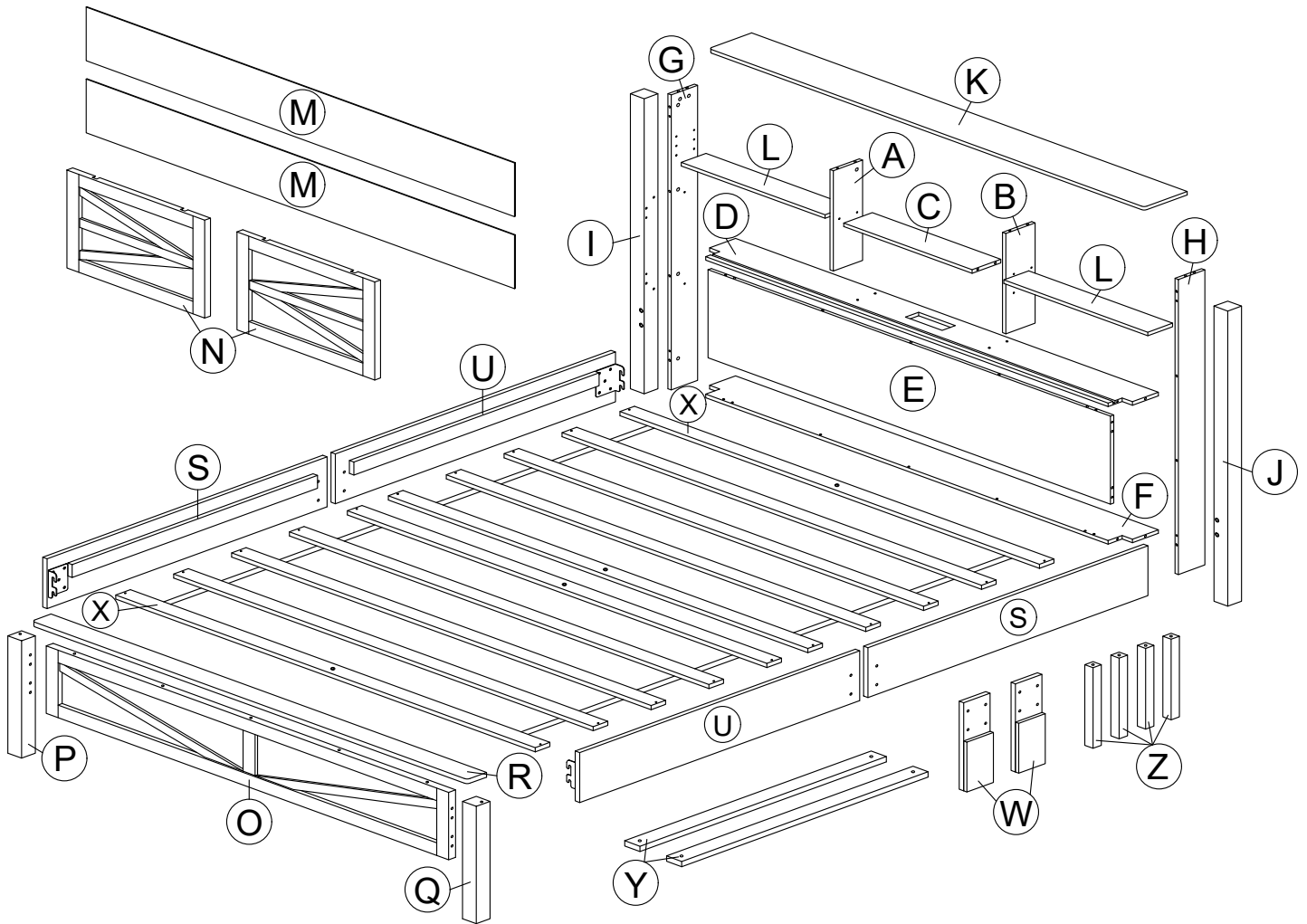
# ASSEMBLY INSTRUCTION

## Bed 38 (Queen)



# ASSEMBLY INSTRUCTION

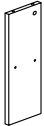

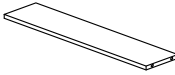
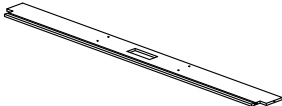
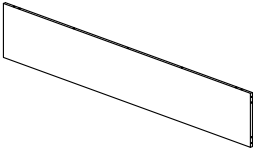
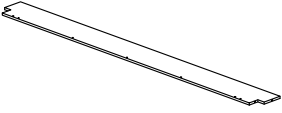




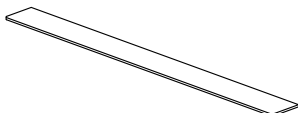
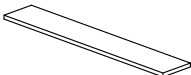
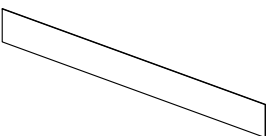
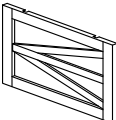
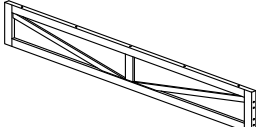
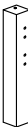
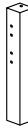
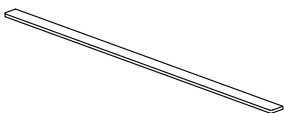
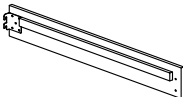
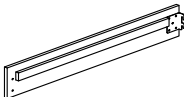
## Bed 38 (Queen)



# ASSEMBLY INSTRUCTION

## Bed 38 (Queen)

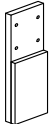
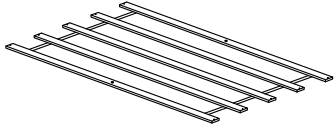
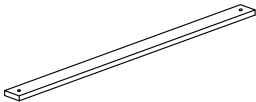

### PART LIST

<p style="text-align: center;"><b>A</b></p>  <p style="text-align: center;">Bedhead Center Panel L 1 PCS</p>	<p style="text-align: center;"><b>B</b></p>  <p style="text-align: center;">Bedhead Center Panel R 1 PCS</p>	<p style="text-align: center;"><b>C</b></p>  <p style="text-align: center;">Bedhead Up Middle Panel 1 PCS</p>	<p style="text-align: center;"><b>D</b></p>  <p style="text-align: center;">Bedhead Middle Support Up 1 PCS</p>
<p style="text-align: center;"><b>E</b></p>  <p style="text-align: center;">BedHead Front Panel 1 PCS</p>	<p style="text-align: center;"><b>F</b></p>  <p style="text-align: center;">Bedhead Middle Support Down 1 PCS</p>	<p style="text-align: center;"><b>G</b></p>  <p style="text-align: center;">BedHead Side Panel L 1 PCS</p>	<p style="text-align: center;"><b>H</b></p>  <p style="text-align: center;">BedHead Side Panel R 1 PCS</p>
<p style="text-align: center;"><b>I</b></p>  <p style="text-align: center;">BedHead Side Leg L 1 PCS</p>	<p style="text-align: center;"><b>J</b></p>  <p style="text-align: center;">BedHead Side Leg R 1 PCS</p>	<p style="text-align: center;"><b>K</b></p>  <p style="text-align: center;">Bedhead Top Panel 1 PCS</p>	<p style="text-align: center;"><b>L</b></p>  <p style="text-align: center;">Bedhead Shelf Panel 2 PCS</p>
<p style="text-align: center;"><b>M</b></p>  <p style="text-align: center;">Bedhead Back Panel 2 PCS</p>	<p style="text-align: center;"><b>N</b></p>  <p style="text-align: center;">Door Panel L/R 2 PCS</p>	<p style="text-align: center;"><b>O</b></p>  <p style="text-align: center;">BedEnd Panel 1 PCS</p>	<p style="text-align: center;"><b>P</b></p>  <p style="text-align: center;">BedEnd Leg L 1 PCS</p>
<p style="text-align: center;"><b>Q</b></p>  <p style="text-align: center;">BedEnd Leg R 1 PCS</p>	<p style="text-align: center;"><b>R</b></p>  <p style="text-align: center;">BedEnd Top Support 1 PCS</p>	<p style="text-align: center;"><b>S</b></p>  <p style="text-align: center;">Bed Side Front R / Rear L 2 PCS</p>	<p style="text-align: center;"><b>U</b></p>  <p style="text-align: center;">Bed Side Front L / Rear R 2 PCS</p>






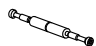
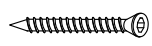



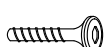
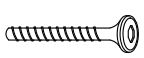


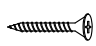
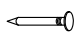



# ASSEMBLY INSTRUCTION

## Bed 38 (Queen)

### PART LIST

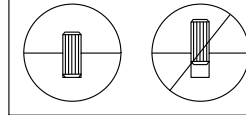
W	X	Y	Z
			
Bed Side Leg 2 PCS	Bed Slats 2 PCS	Bed Slats Center 2 PCS	Bed Slats Leg 4 PCS

### HARDWARE LIST

1  M6x30MM Wood Dowel 20 PCS	2  M8x40MM Wood Dowel 4 PCS	3  Camlock 12MM 38 PCS	4  Camlock Bolt 12MM 38 PCS
5  Double Camlock 48MM 8 PCS	6  Double Bolt 48MM 4 PCS	7  Csk M6x50MM 7 PCS	8  Shelf Support 8 PCS
9  M4 Allen Key 1 PCS	10  M5 Allen Key 1 PCS	11  M6x25MM JCBC Screw 8 PCS	12  M6x40MM JCBC Screw 4 PCS
13  M8x20MM JCBB Screw 8 PCS	14  M3.5x16MM Screw 24 PCS	15  M4x38MM Screw 20 PCS	16  Nail 5/8 28 PCS
17  USB Charger 1 PCS	18   K455 Roller 4 Sets		

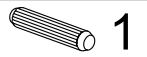
# ASSEMBLY INSTRUCTION

## Step 1

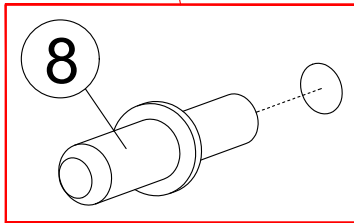
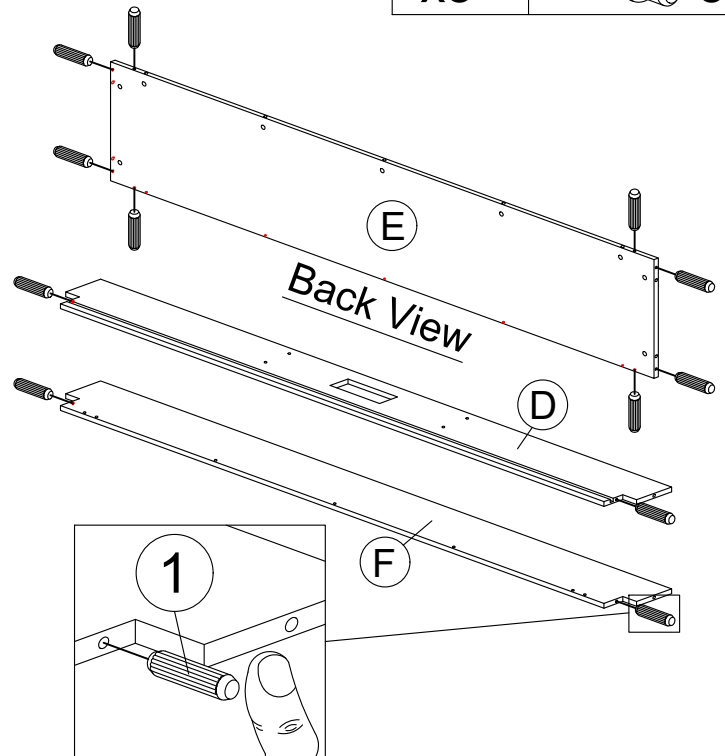
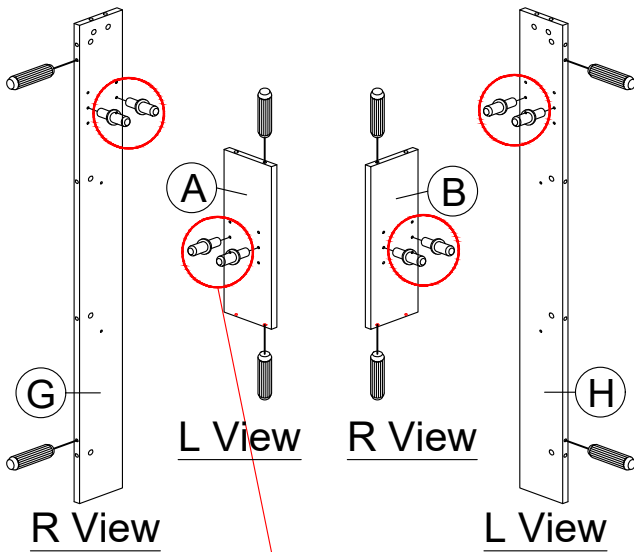


Required/Requis/Requerido

x20



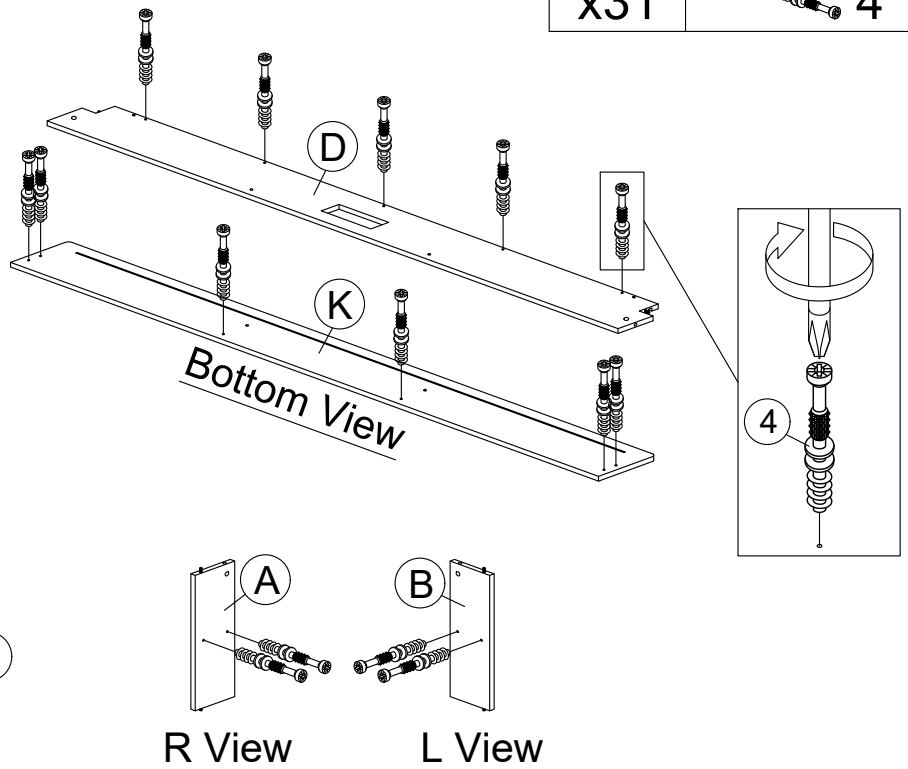
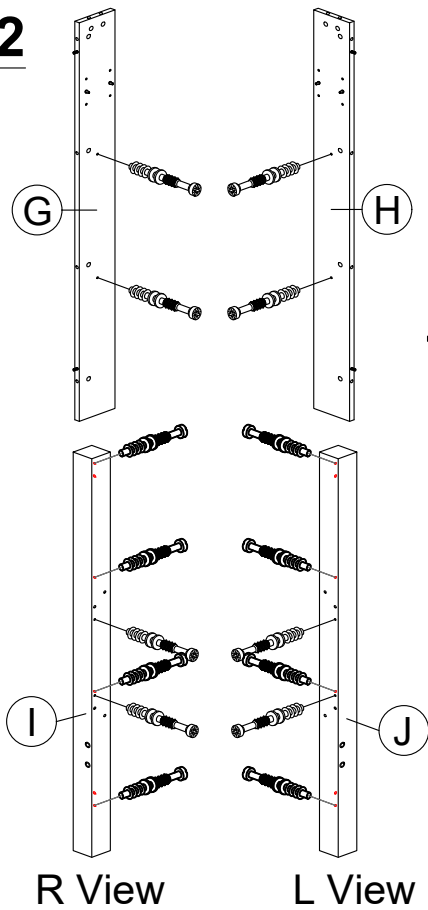
x8



## Step 2

Required/Requis/Requerido

x31



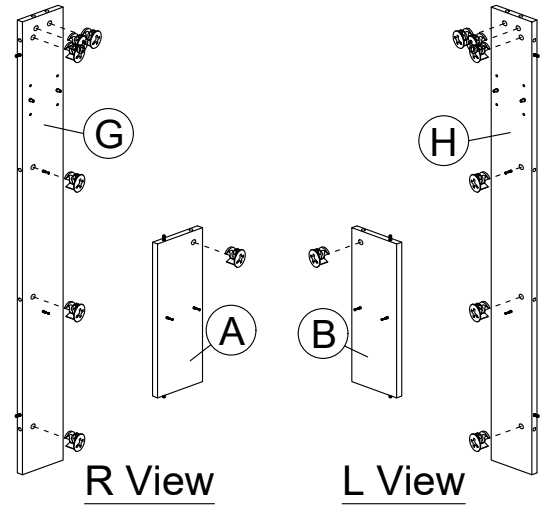
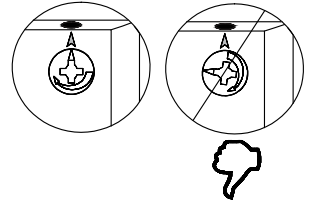
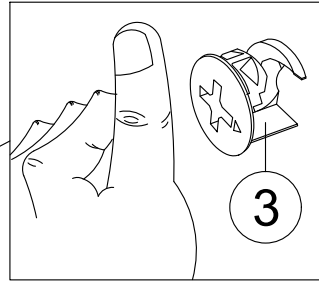
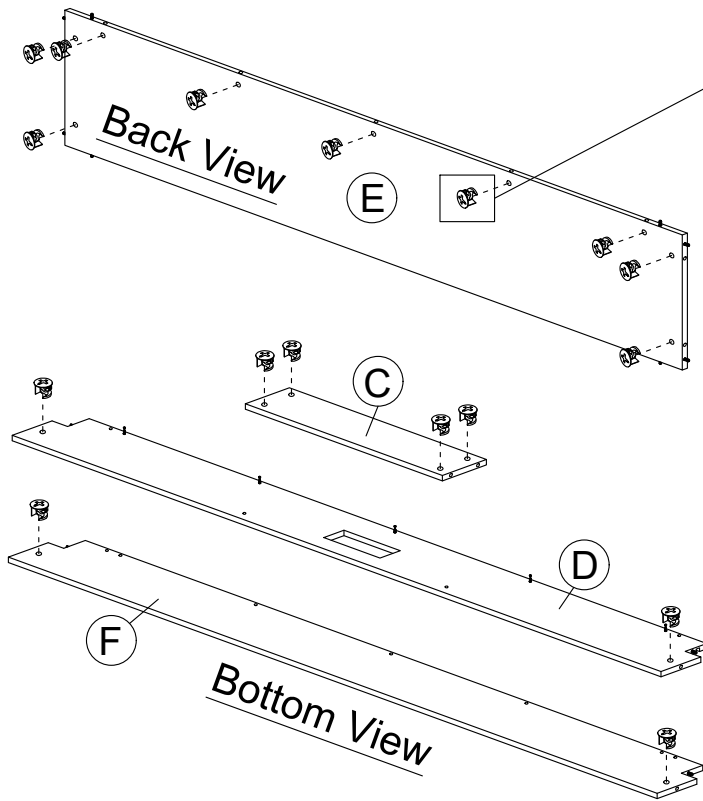
# ASSEMBLY INSTRUCTION

## Step 3

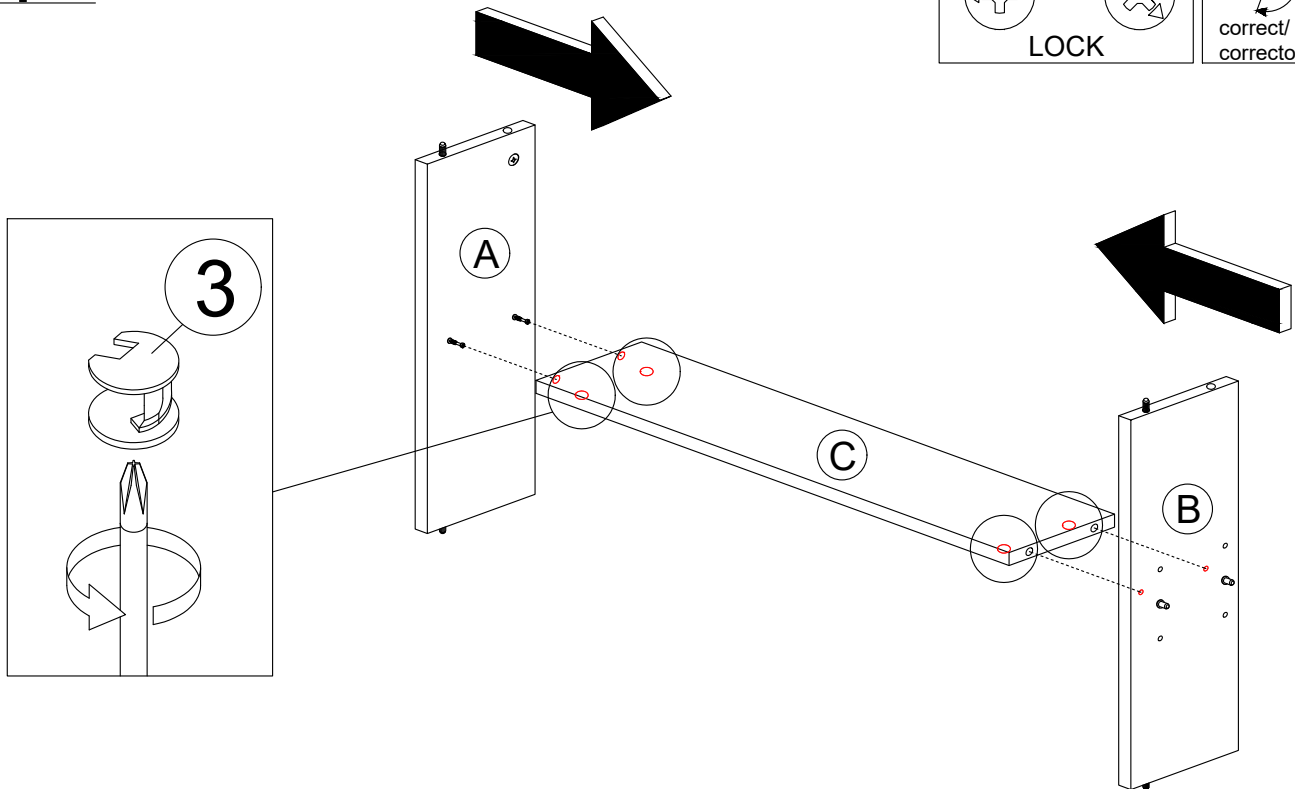
Required/Requis/Requerido

x31

 3



## Step 4




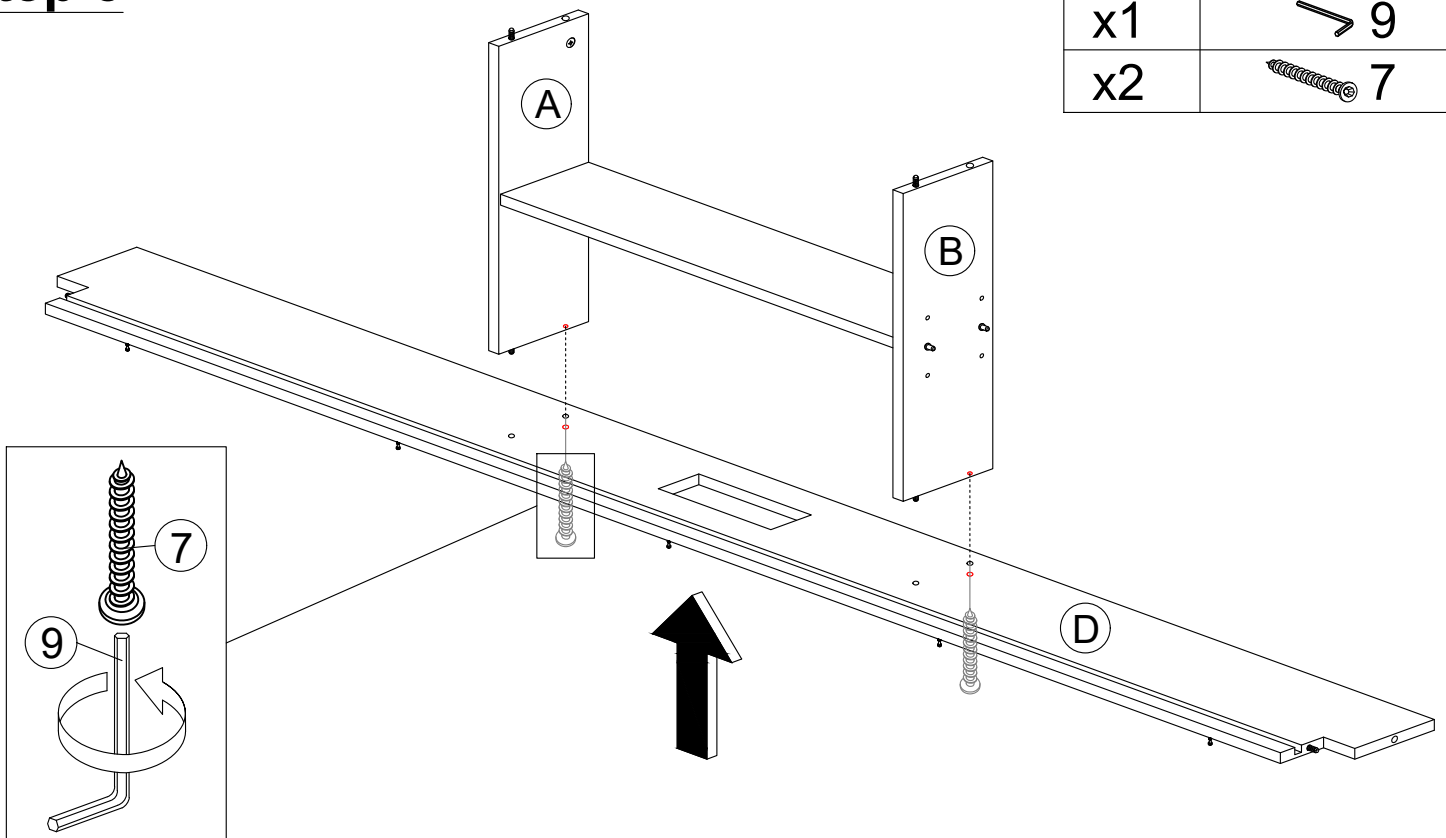
# ASSEMBLY INSTRUCTION

## Step 5

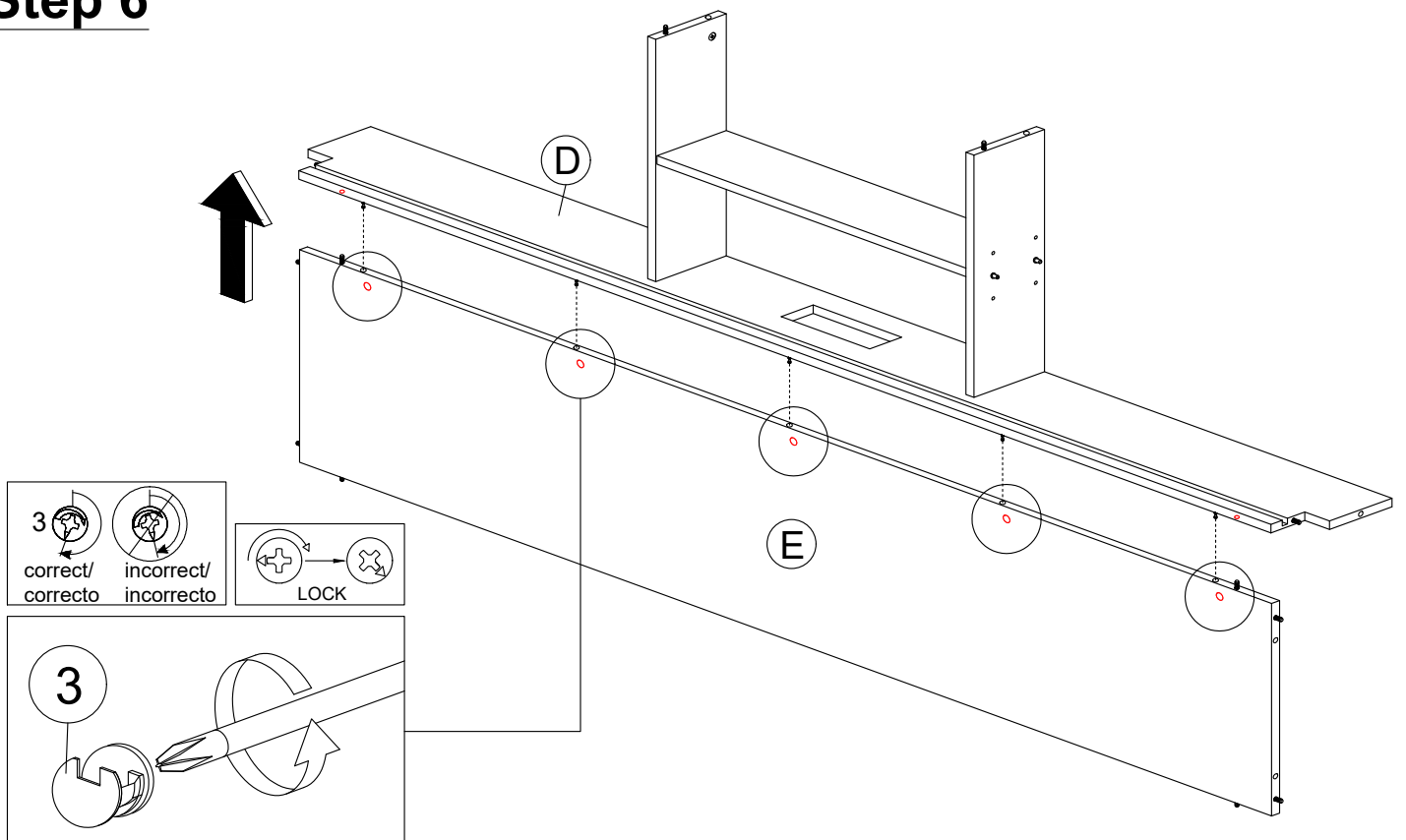
Required/Requis/Requerido

x1  9

x2  7



## Step 6



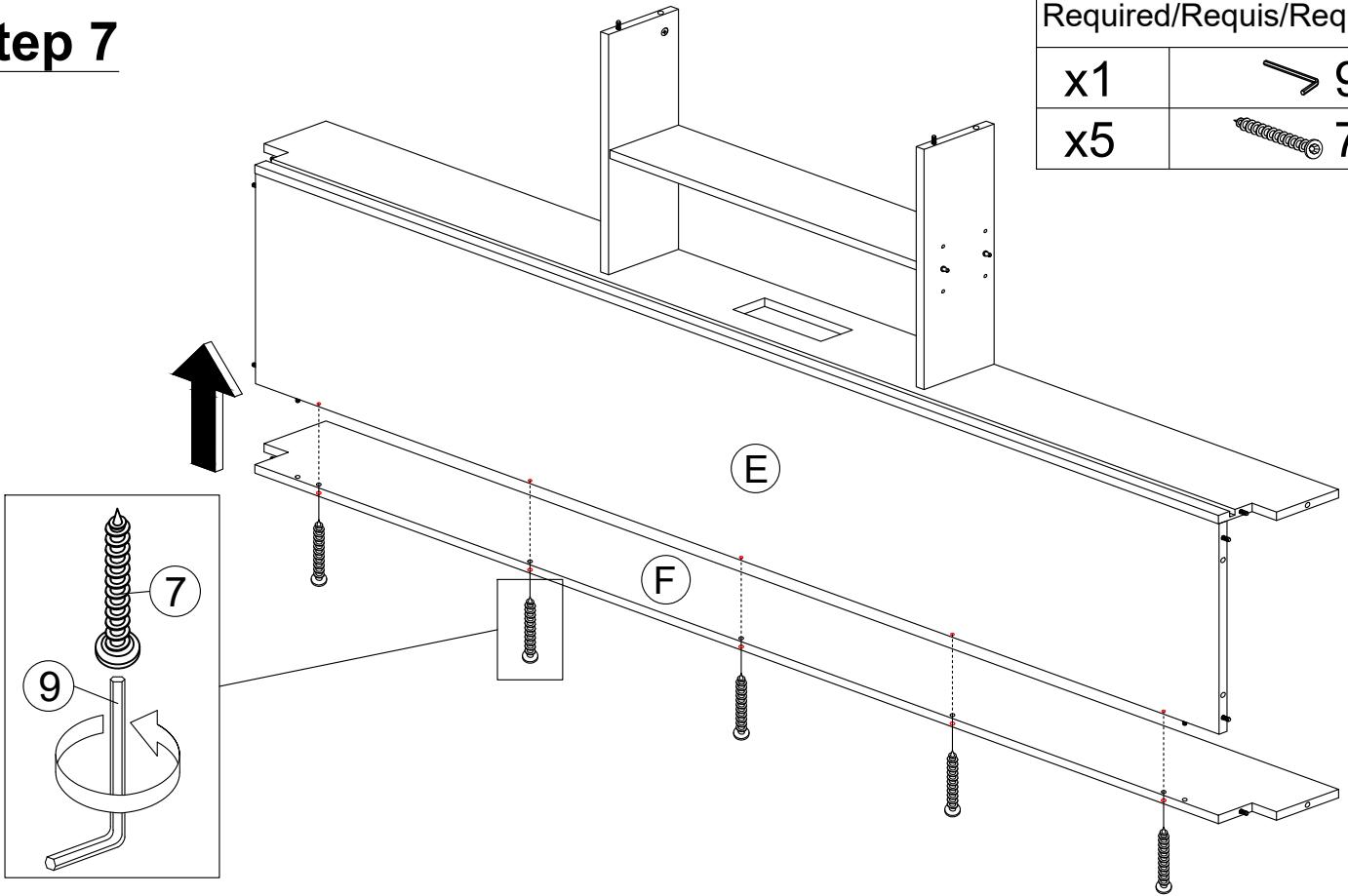
# ASSEMBLY INSTRUCTION

## Step 7

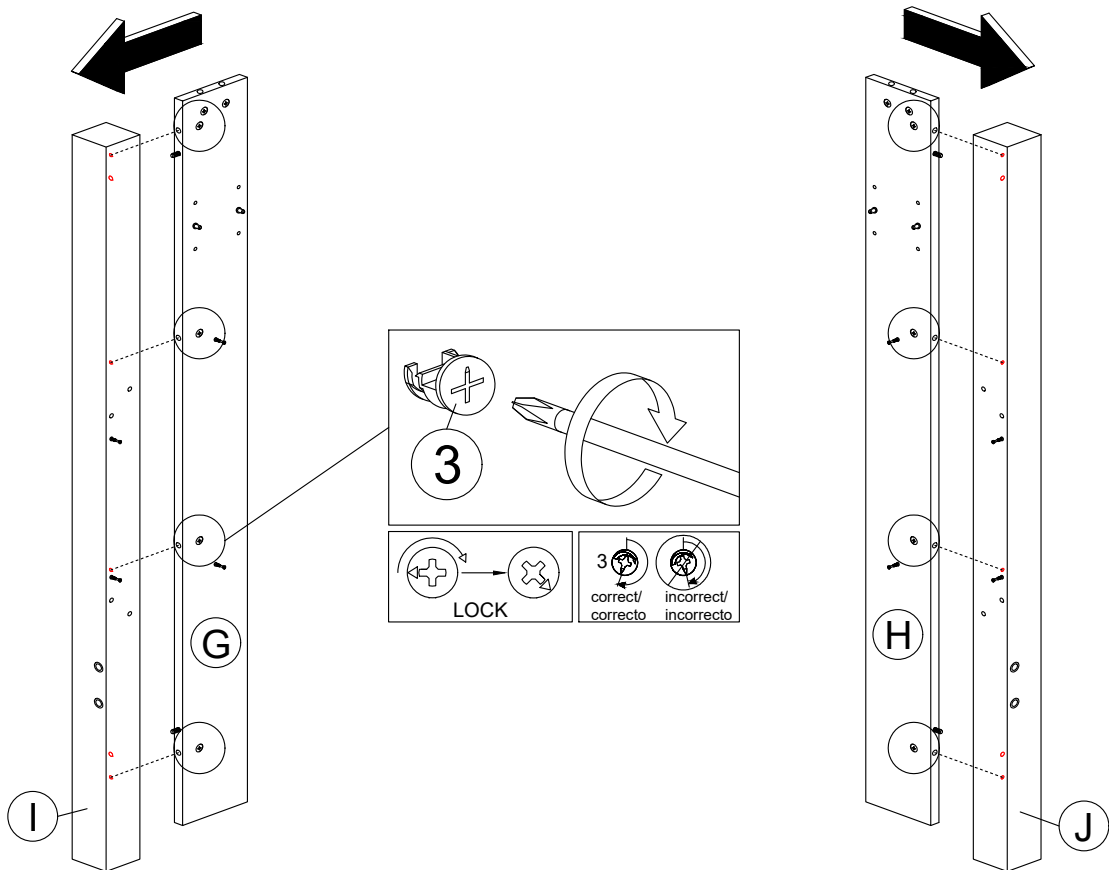
Required/Requis/Requerido

x1  9

x5  7

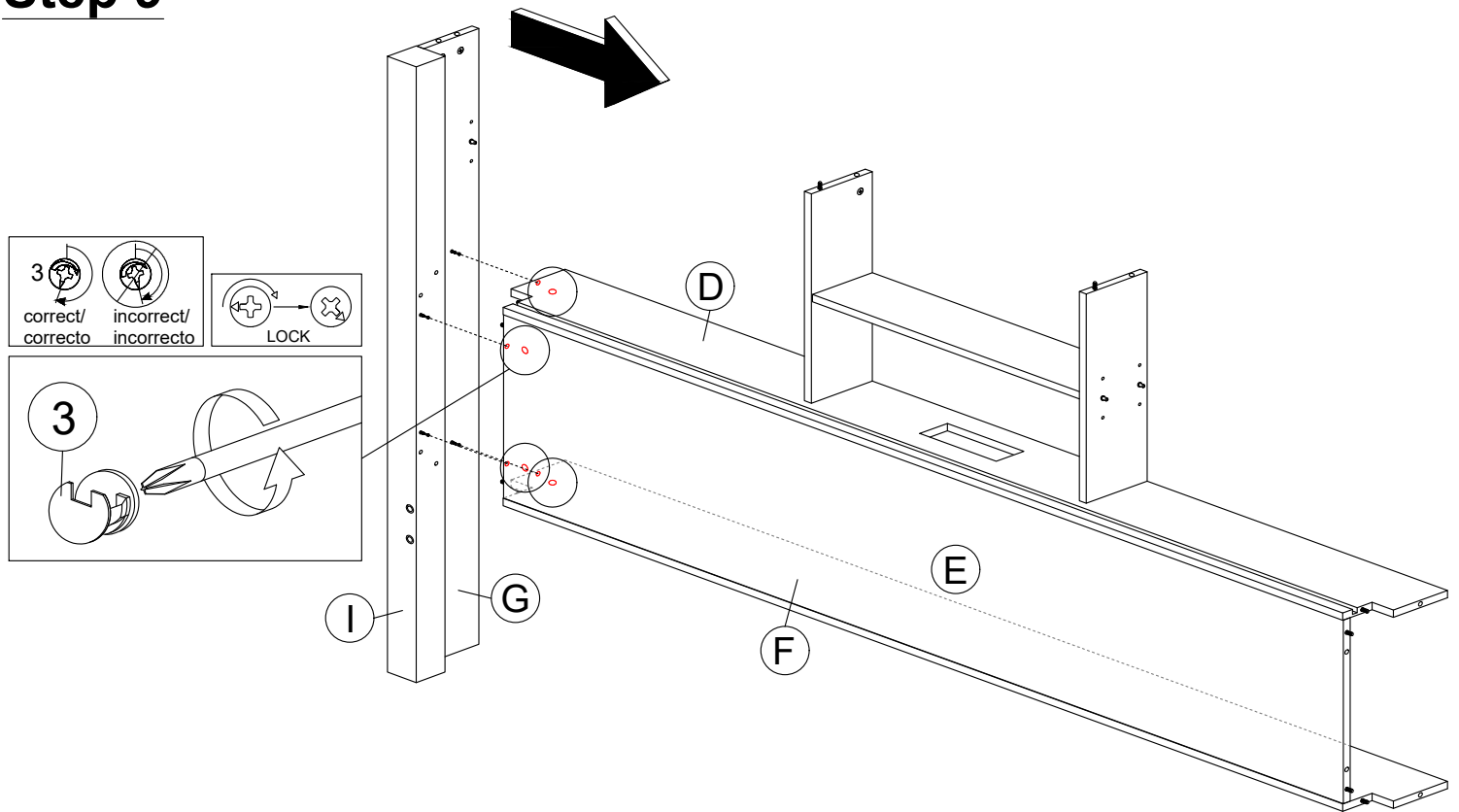


## Step 8

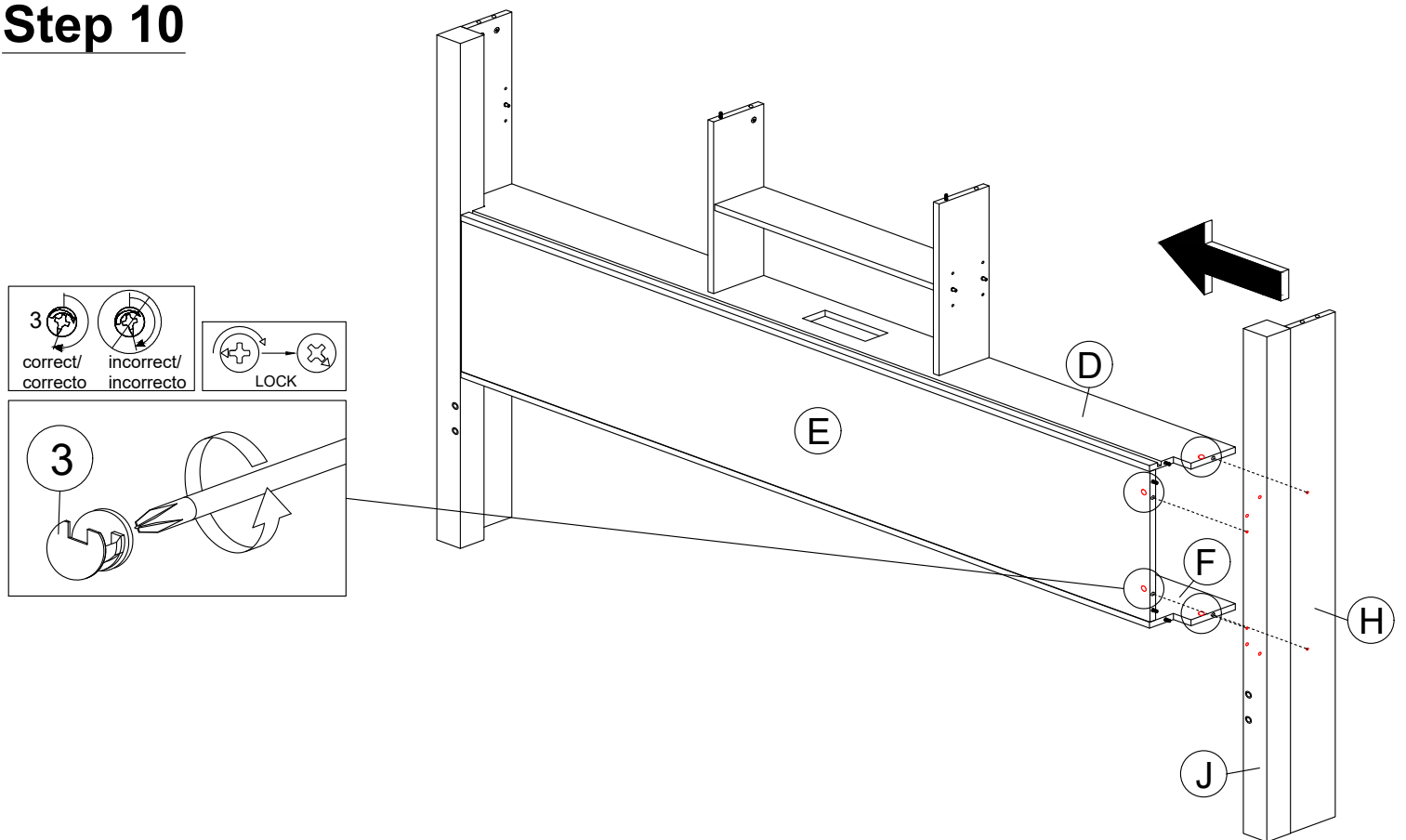


# ASSEMBLY INSTRUCTION

## Step 9

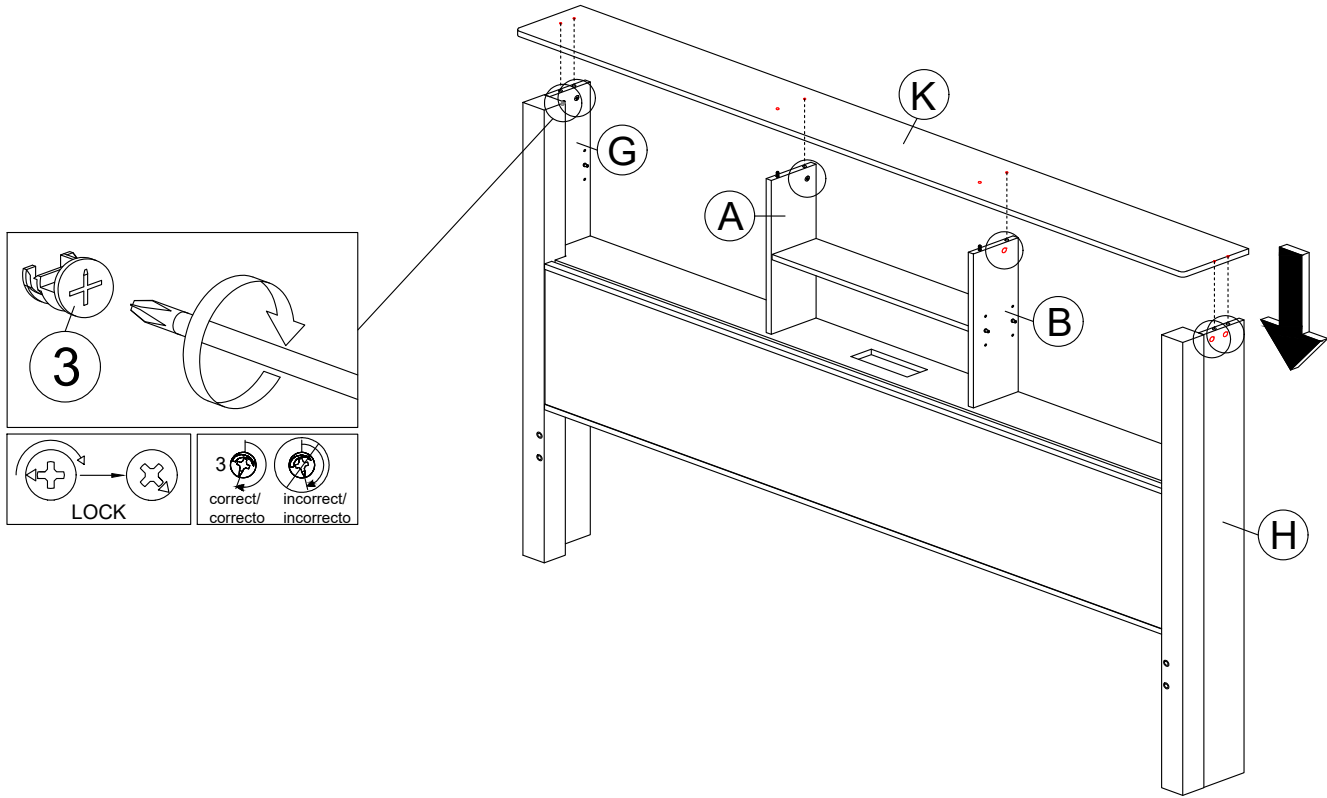


## Step 10



# ASSEMBLY INSTRUCTION

## Step 11

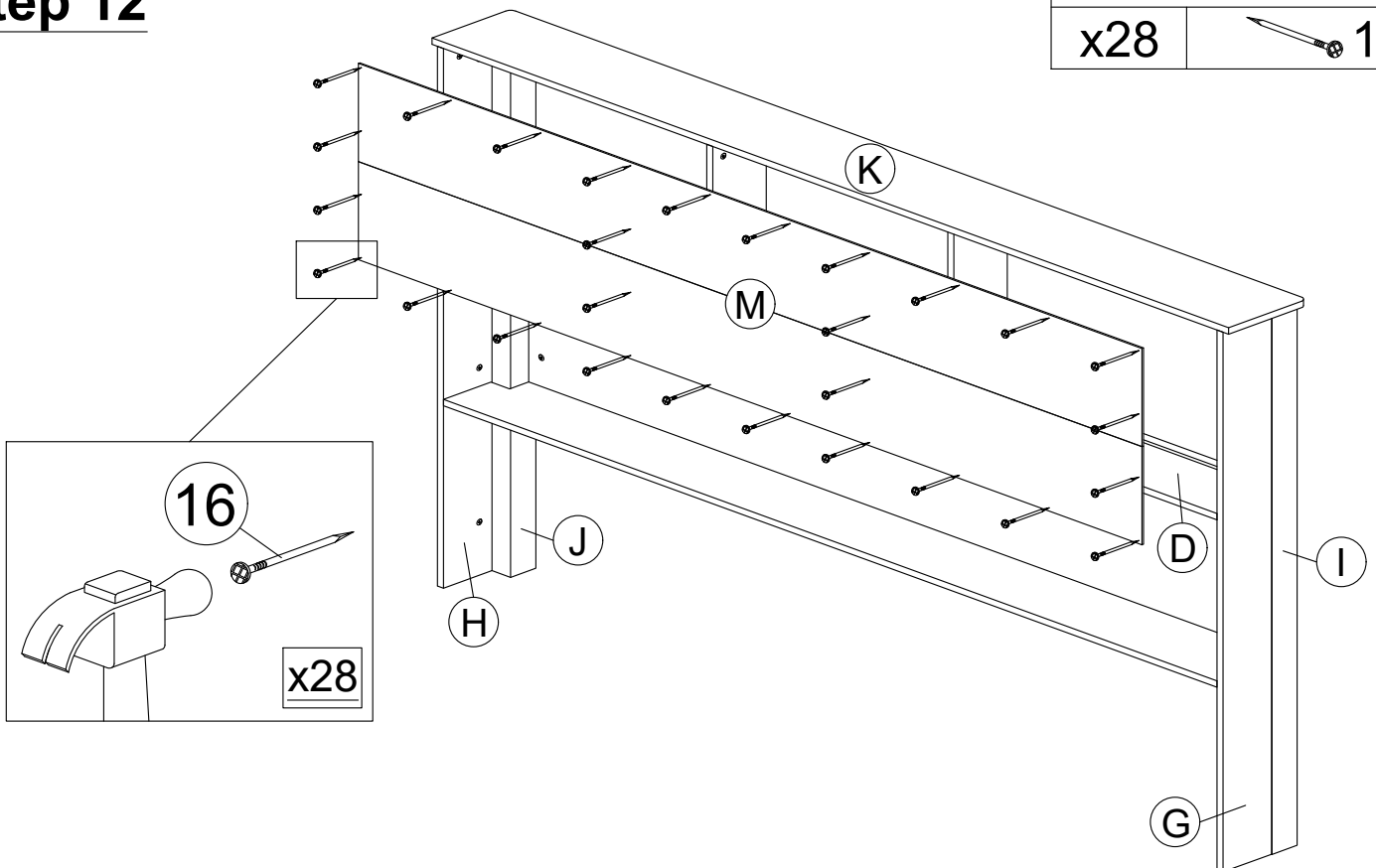


## Step 12

Required/Requis/Requerido

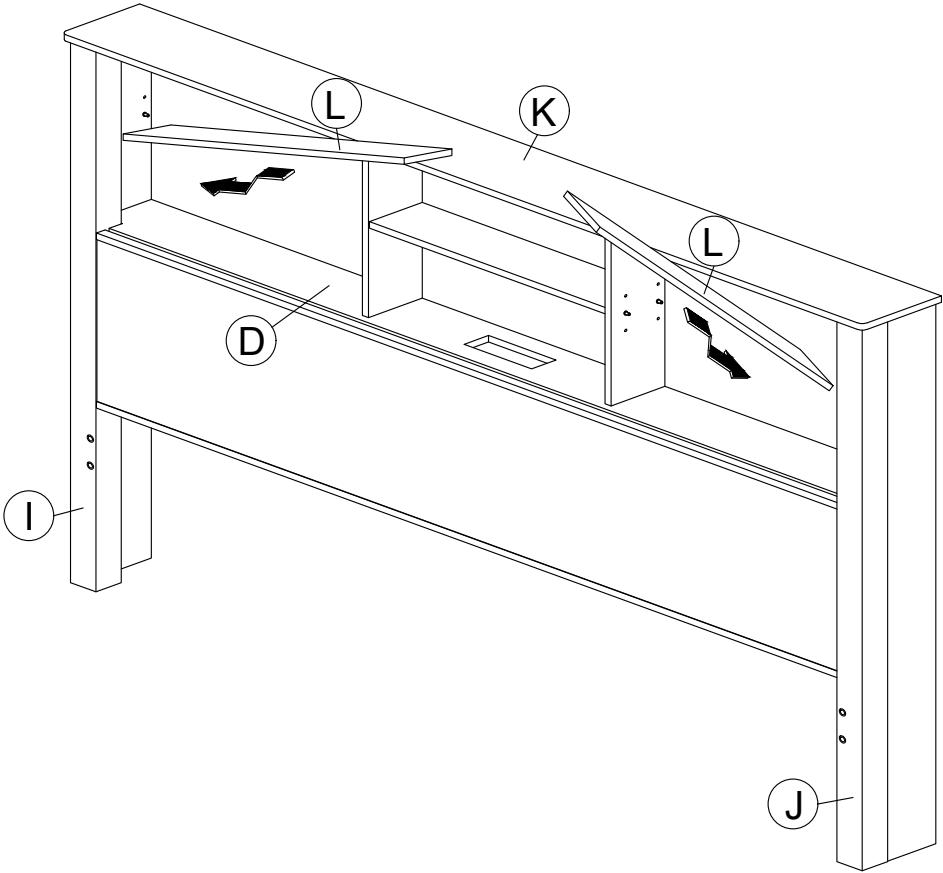
x28

16



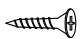


# ASSEMBLY INSTRUCTION

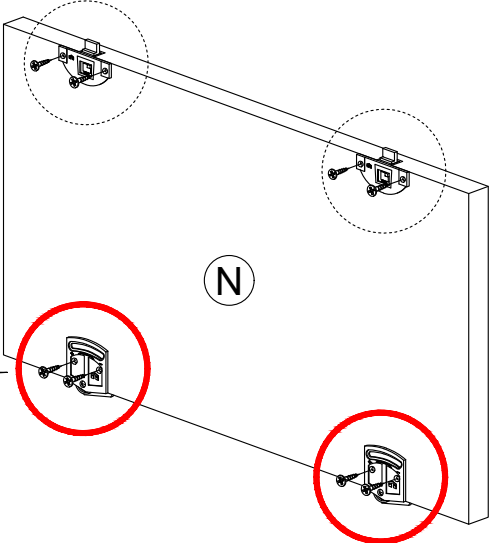
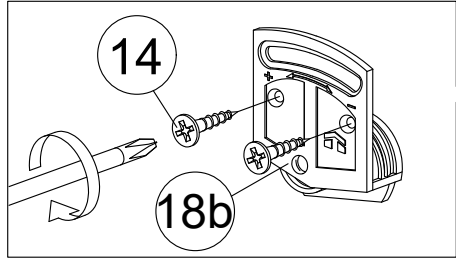
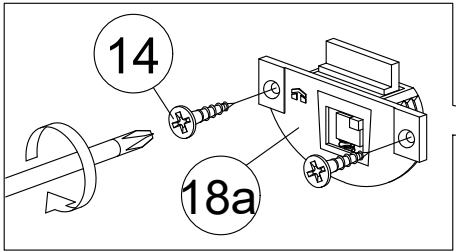
## Step 13



## Step 14

Required/Requis/Requerido

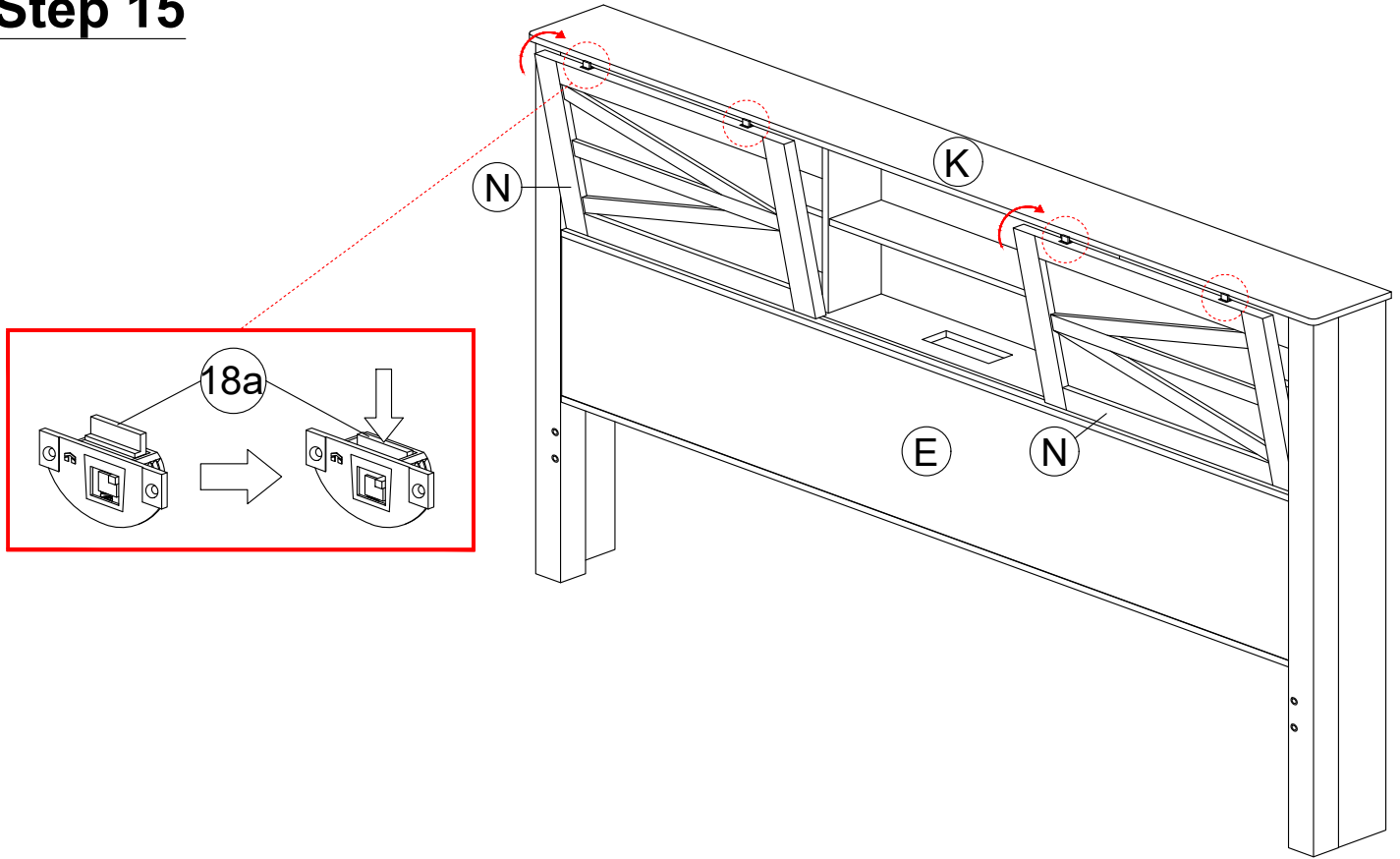
x16	 14
x4	 18a
x4	 18b



x2

# ASSEMBLY INSTRUCTION

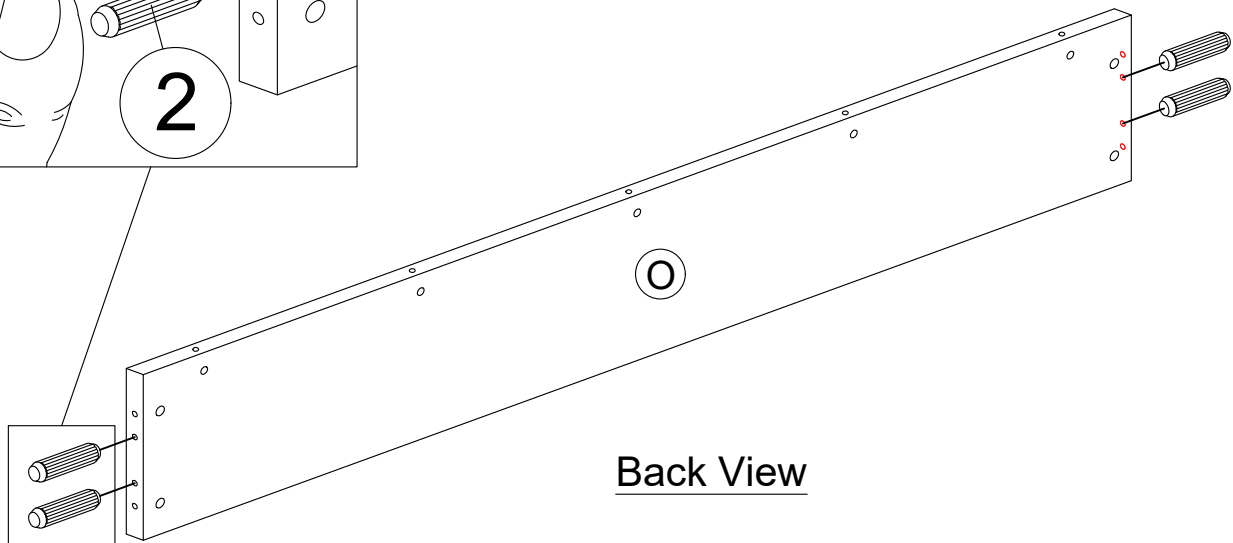
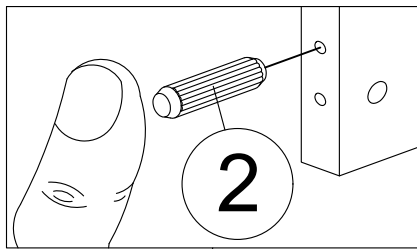
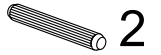
## Step 15



## Step 16

Required/Requis/Requerido

x4



# ASSEMBLY INSTRUCTION

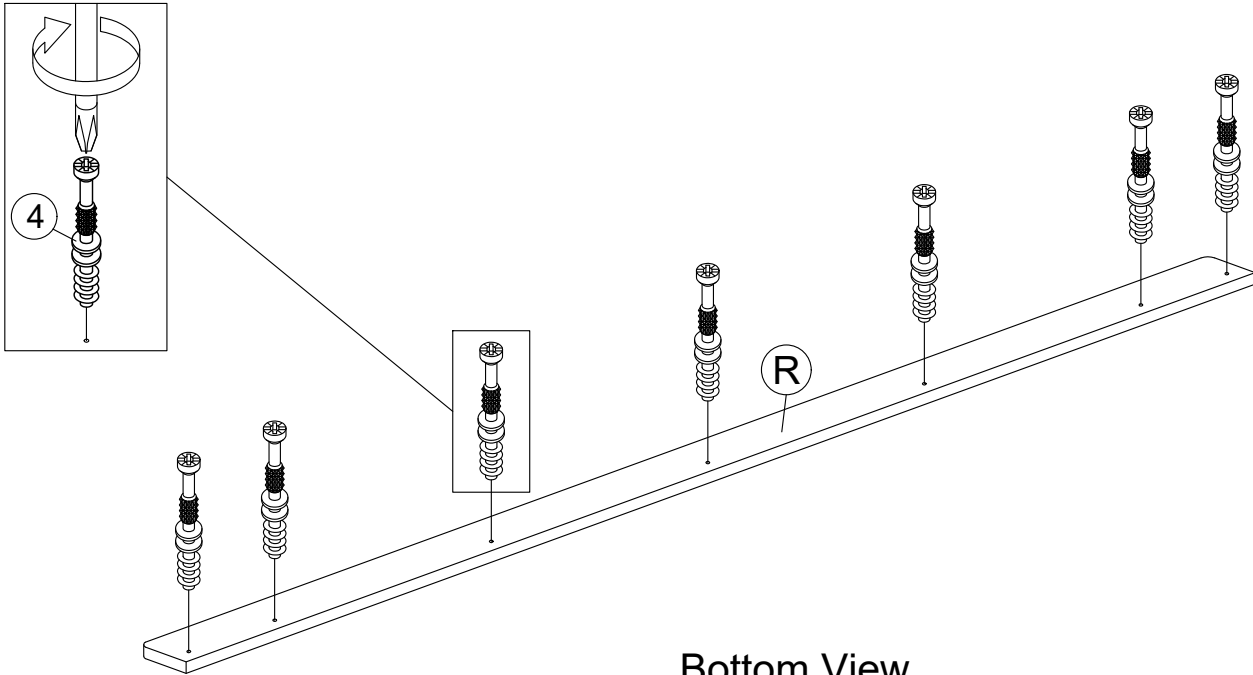
## Step 17

Required/Requis/Requerido

x7



4



Bottom View

## Step 18

Required/Requis/Requerido

x7

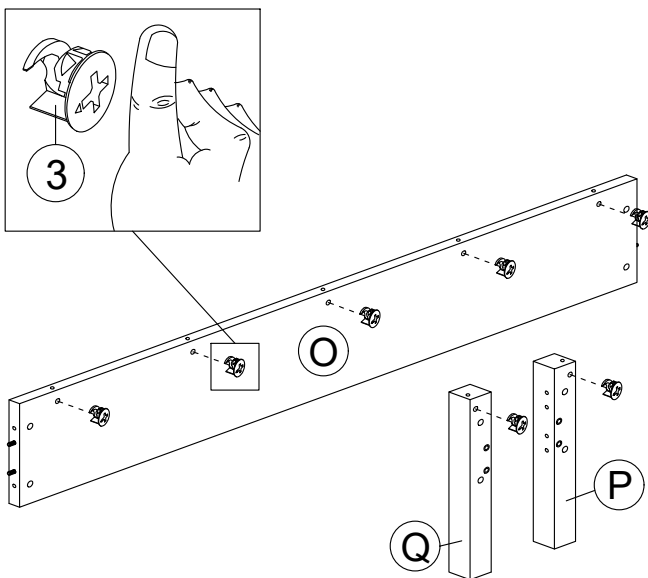
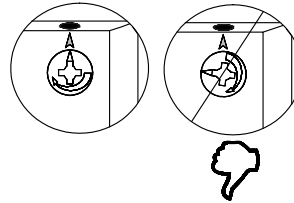


3

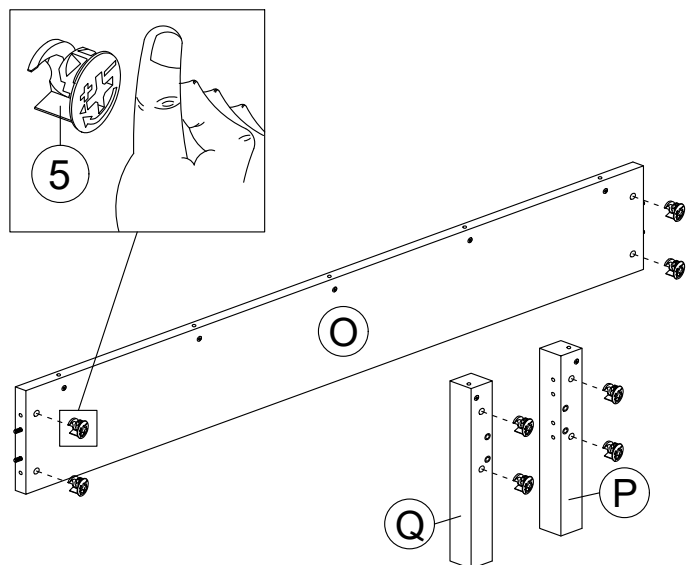
x8



5



Back View



Back View

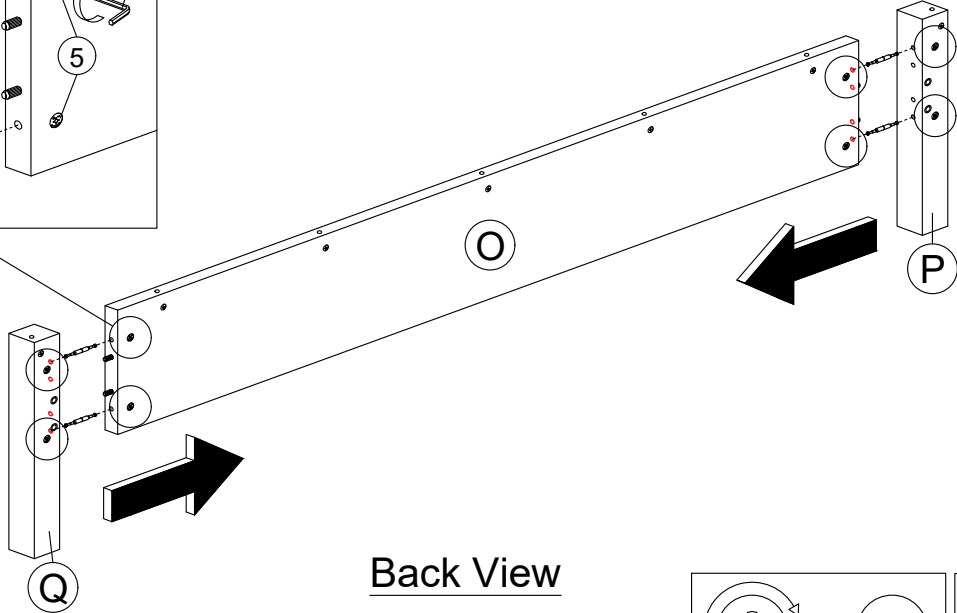
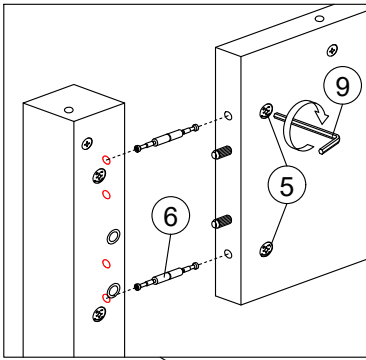
# ASSEMBLY INSTRUCTION

## Step 19

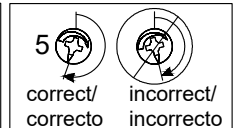
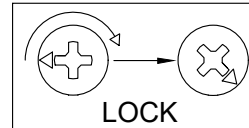
Required/Requis/Requerido

x1  9

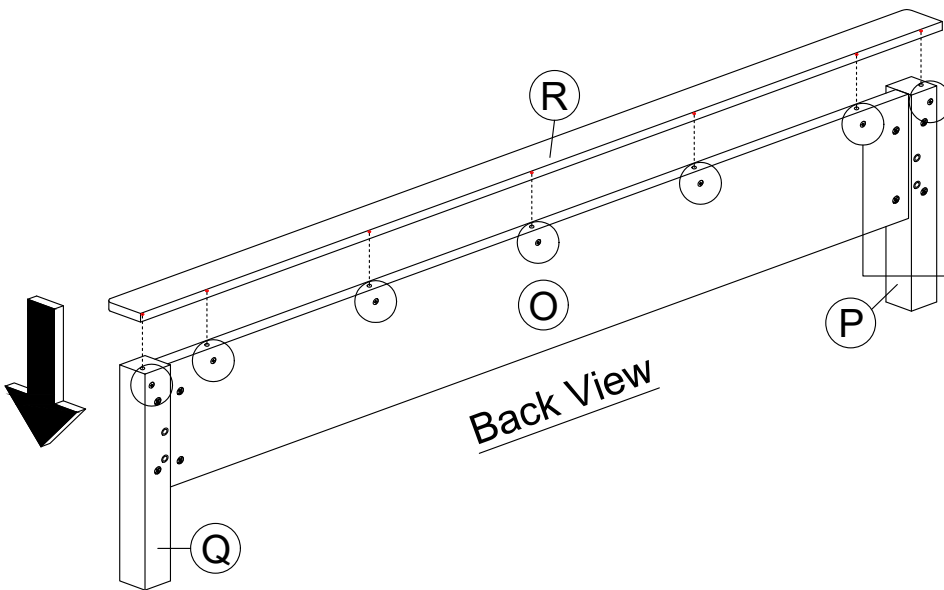
x4  6



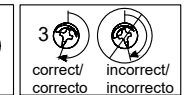
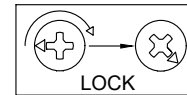
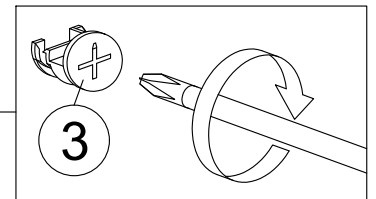
Back View



## Step 20




Back View



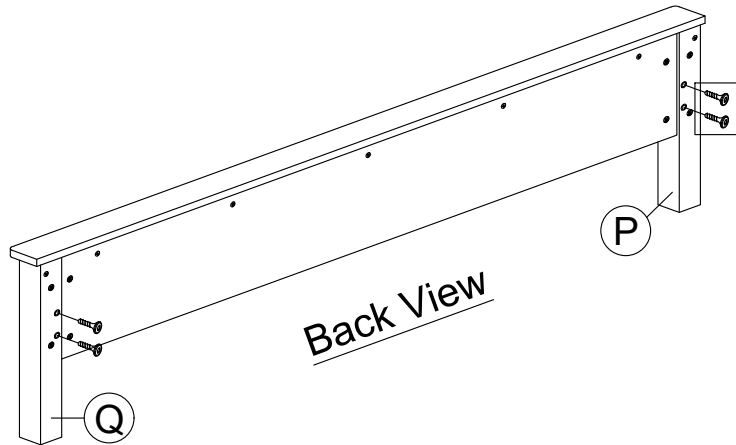
# ASSEMBLY INSTRUCTION

## Step 21

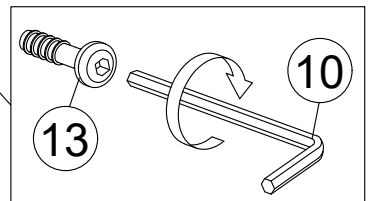
Required/Requis/Requerido

x1  10

x4  13



Don't Tighten until end,  
please left 2-5mm  
distance for next step  
assembly part



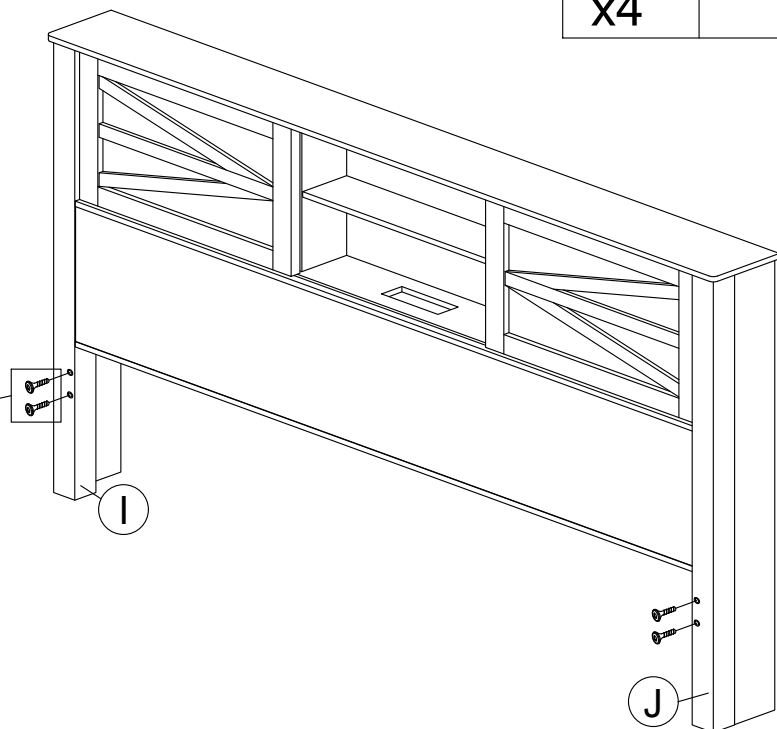
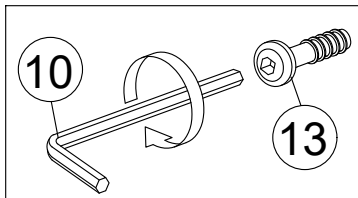
## Step 22

Required/Requis/Requerido

x1  10

x4  13



Don't Tighten until end,  
please left 2-5mm  
distance for next step  
assembly part

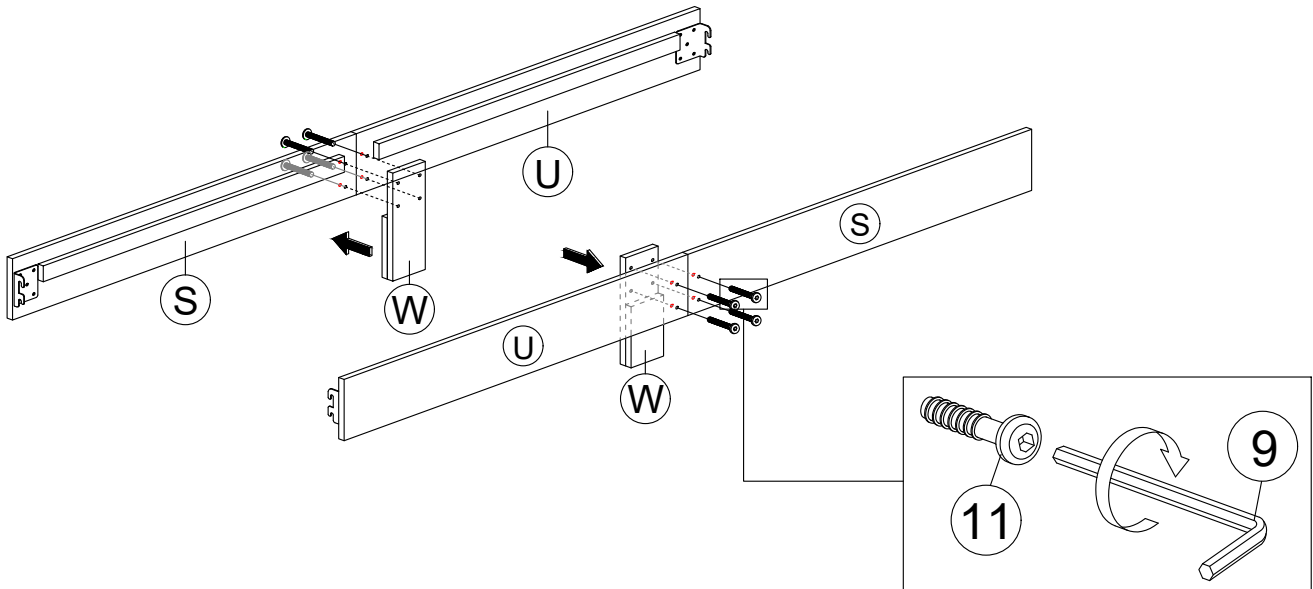


# ASSEMBLY INSTRUCTION

## Step 23

Required/Requis/Requerido

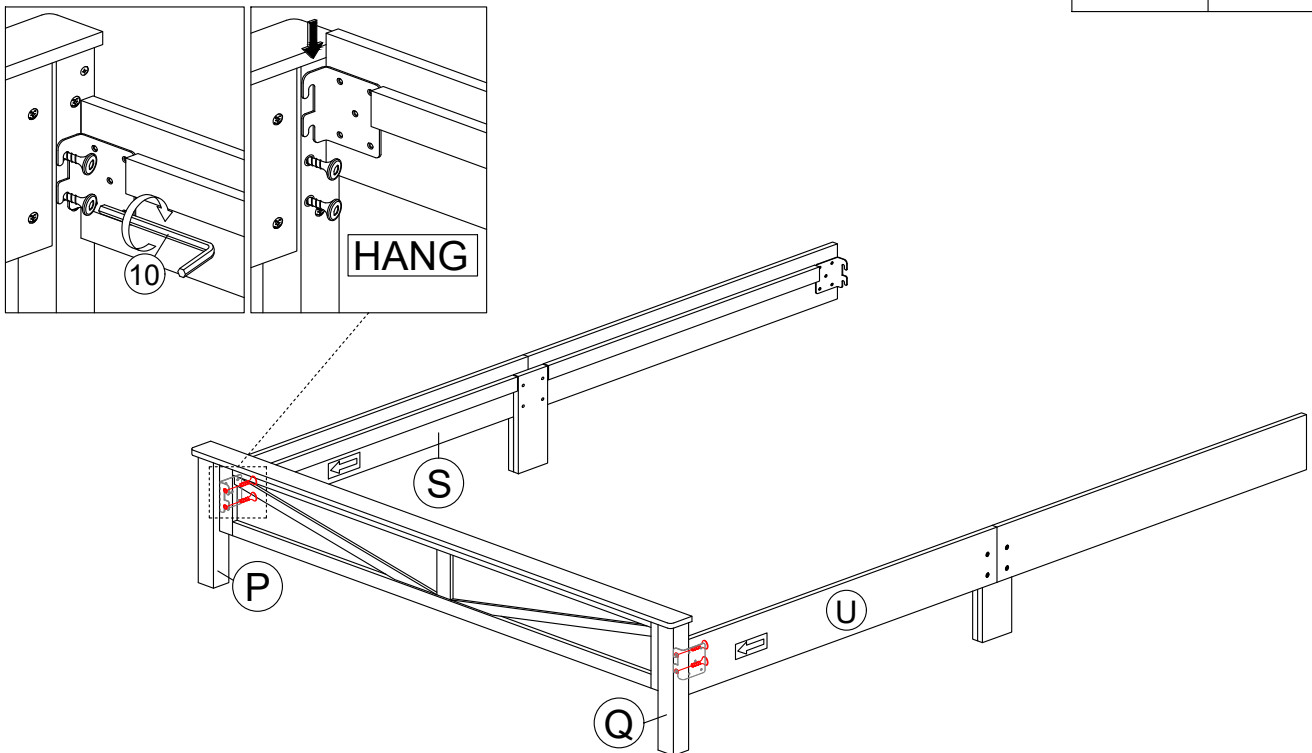
x1	 9
x8	 11



## Step 24

Required/Requis/Requerido

x1	 10
----	--



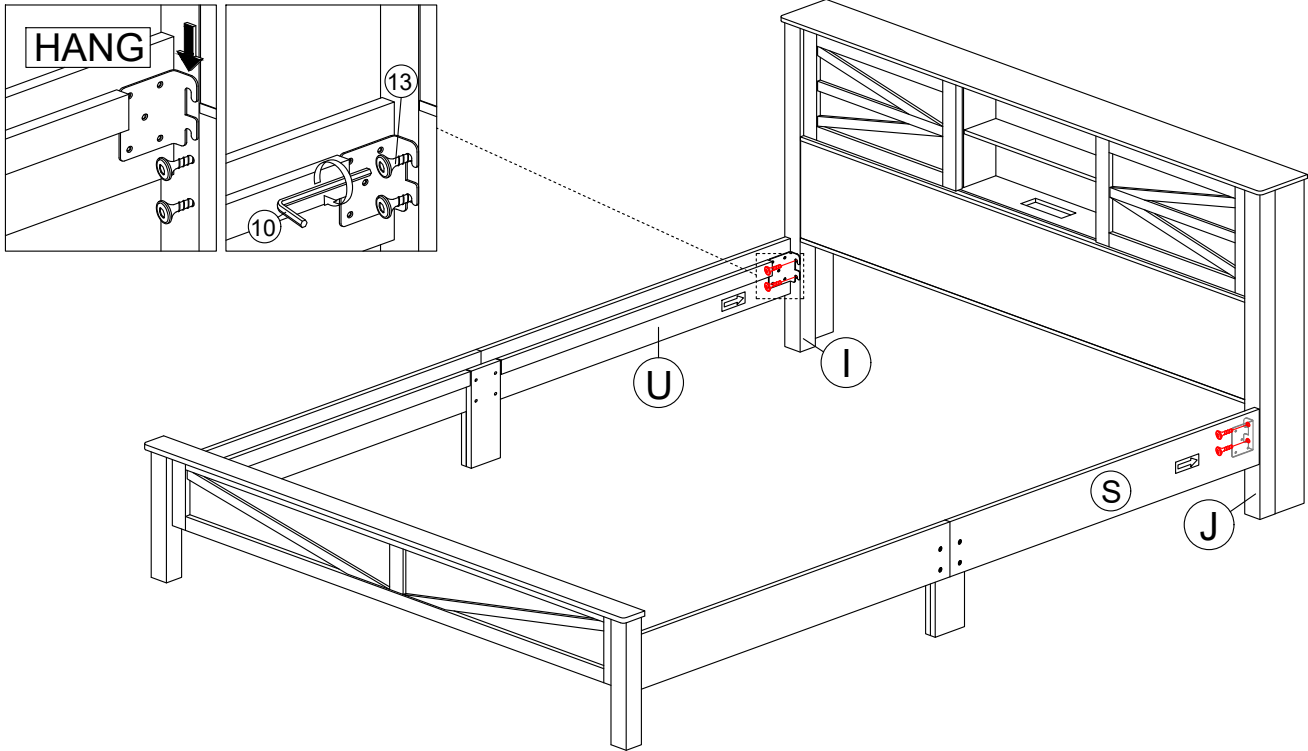
# ASSEMBLY INSTRUCTION

## Step 25

Required/Requis/Requerido

x1

➤ 10



## Step 26

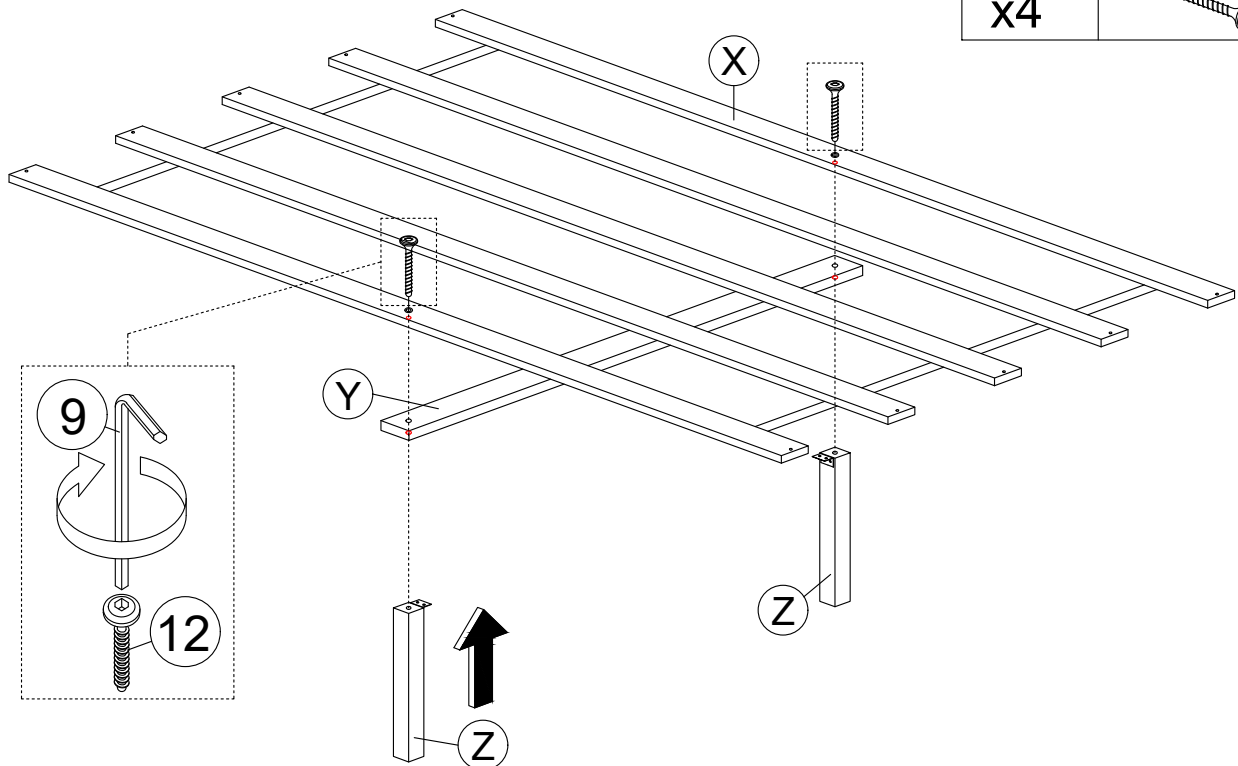
Required/Requis/Requerido

x1

➤ 9

x4

➤ 12



x2

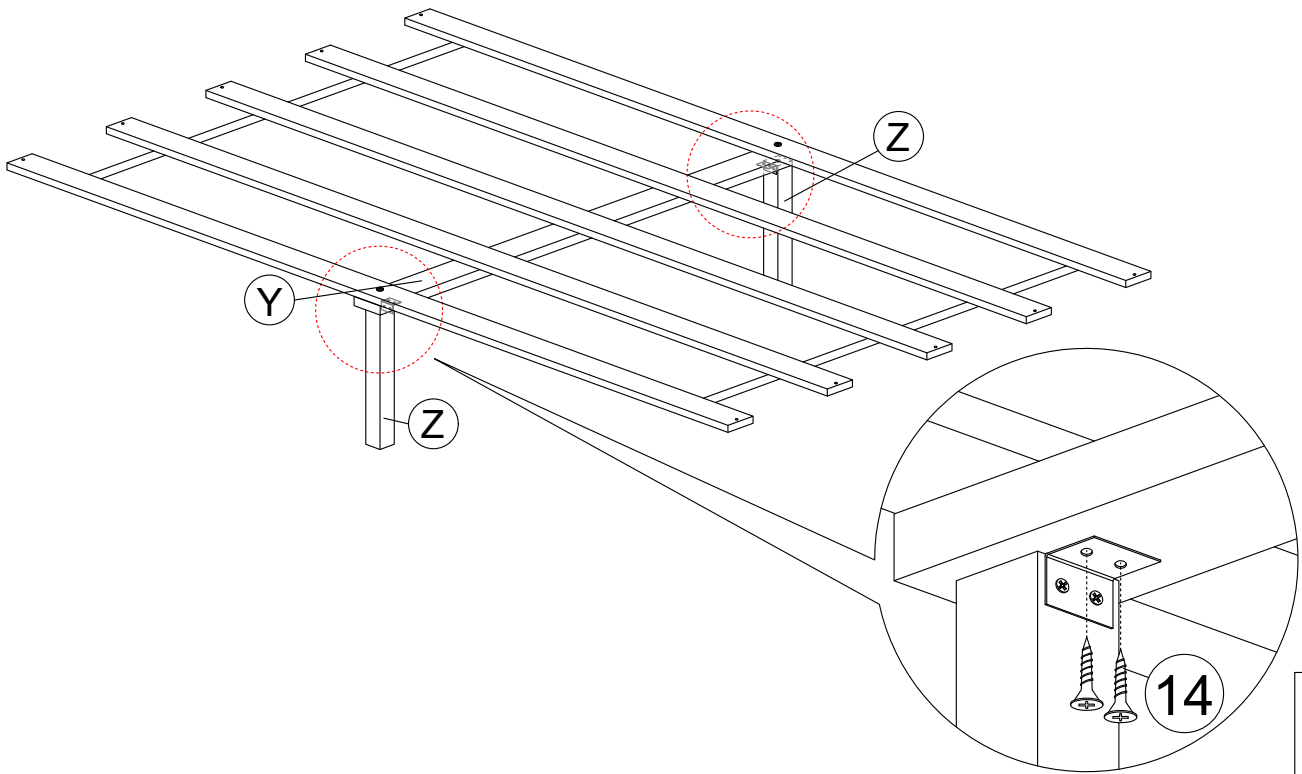
# ASSEMBLY INSTRUCTION

## Step 27

Required/Requis/Requerido

x8

 14

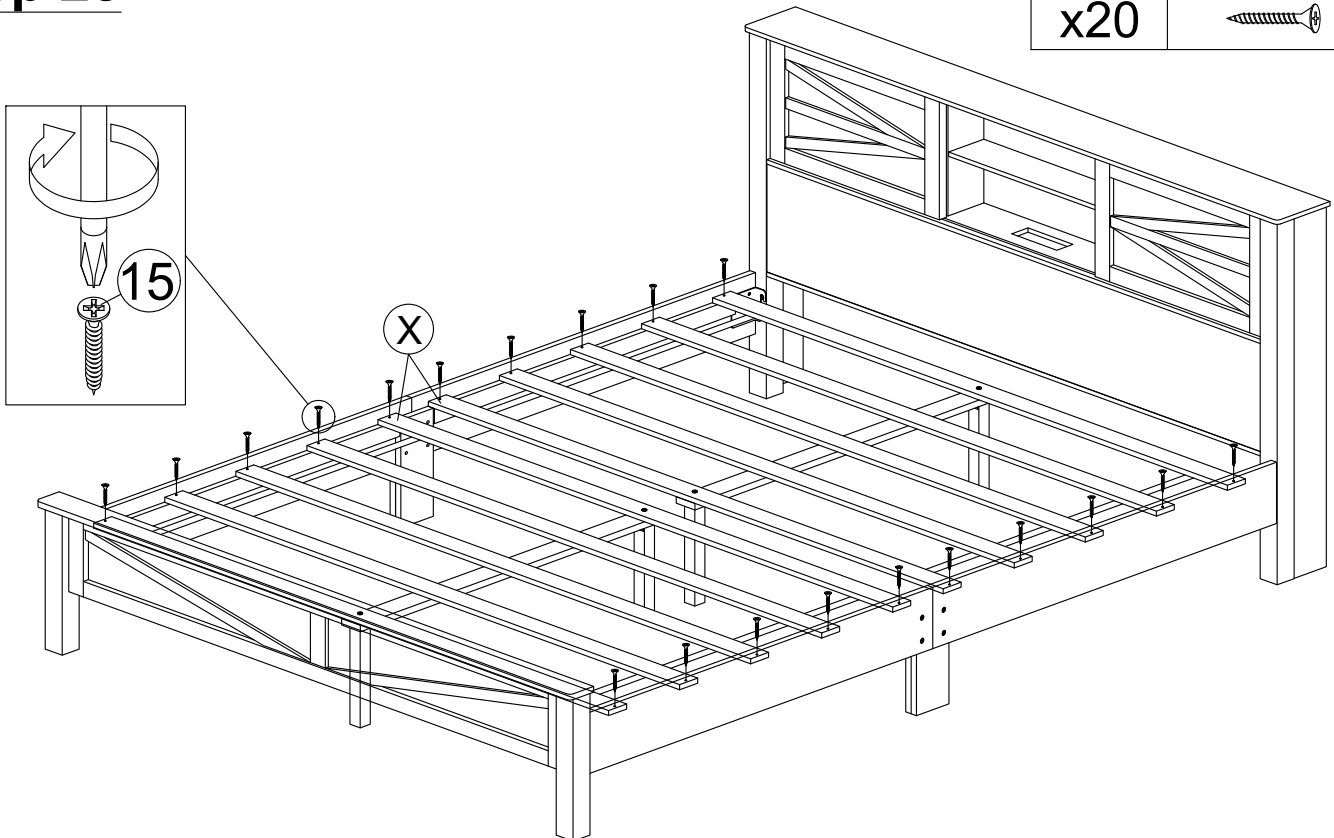


## Step 28

Required/Requis/Requerido

x20

 15



# ASSEMBLY INSTRUCTION

Completed

Required/Requis/Requerido

x1

 17

