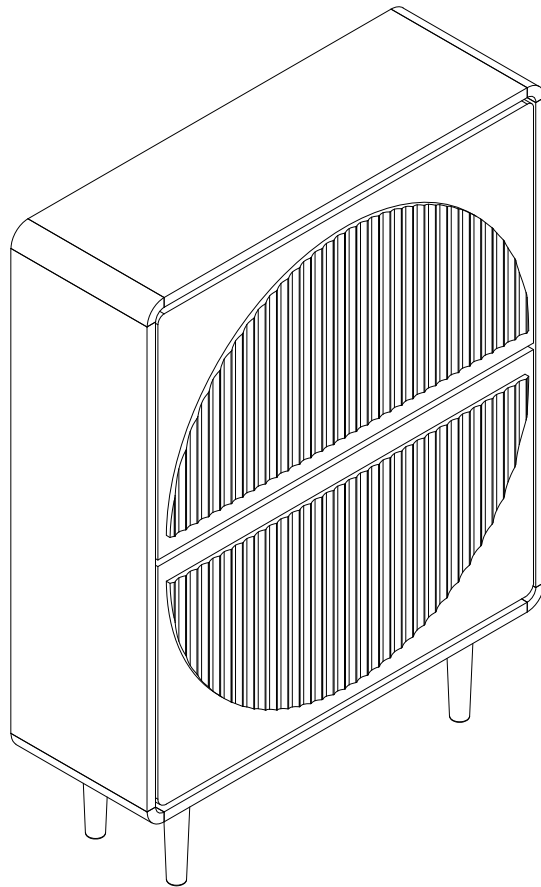


# Installation Instruction

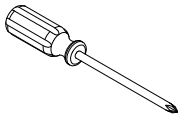


# Assembling

---

## What you need

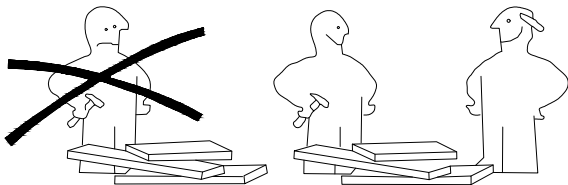
- Use the packaging carton as a working surface to prevent product damage during assembly
- Phillips head screwdriver



## Weight Limitation



**100** | **35**  
lbs table top    lbs per



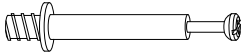
# What' included

---

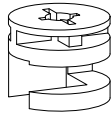
Code	Description	Qty
A	Cam Bolt M6X35MM	34
B	Cam Lock 15X10MM	34
C	Wooden Dowel M8X30MM	12
D	Screw M4X40MM	2
E	The screw M3.5X14MM	30
F	Inner Shaft	4
G	Stopper	4
H	External Shaft	4
I	The screw M3.5X14MM	16
J	Left Plastic Holder	2
K	Right Plastic Holder	2
L	MATS	4
M	Metal shake handhandle	2
N	Screw M4X10MM	4
O	The metal plate	4
P	Anchor	2
Q	Self-adhesive hole sticker	30
R	Metal connector	2

# The Hardwares

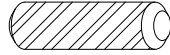
A



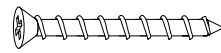
B



C



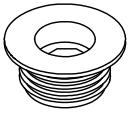
D



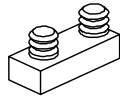
E



F



G



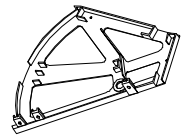
H



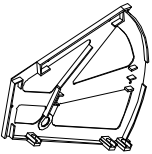
I



J



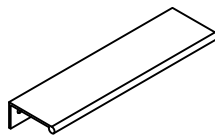
K



L



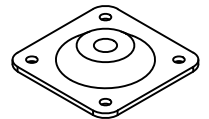
M



N



O



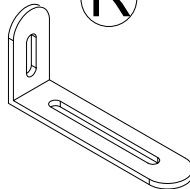
P



Q



R



## IMPORTANT:

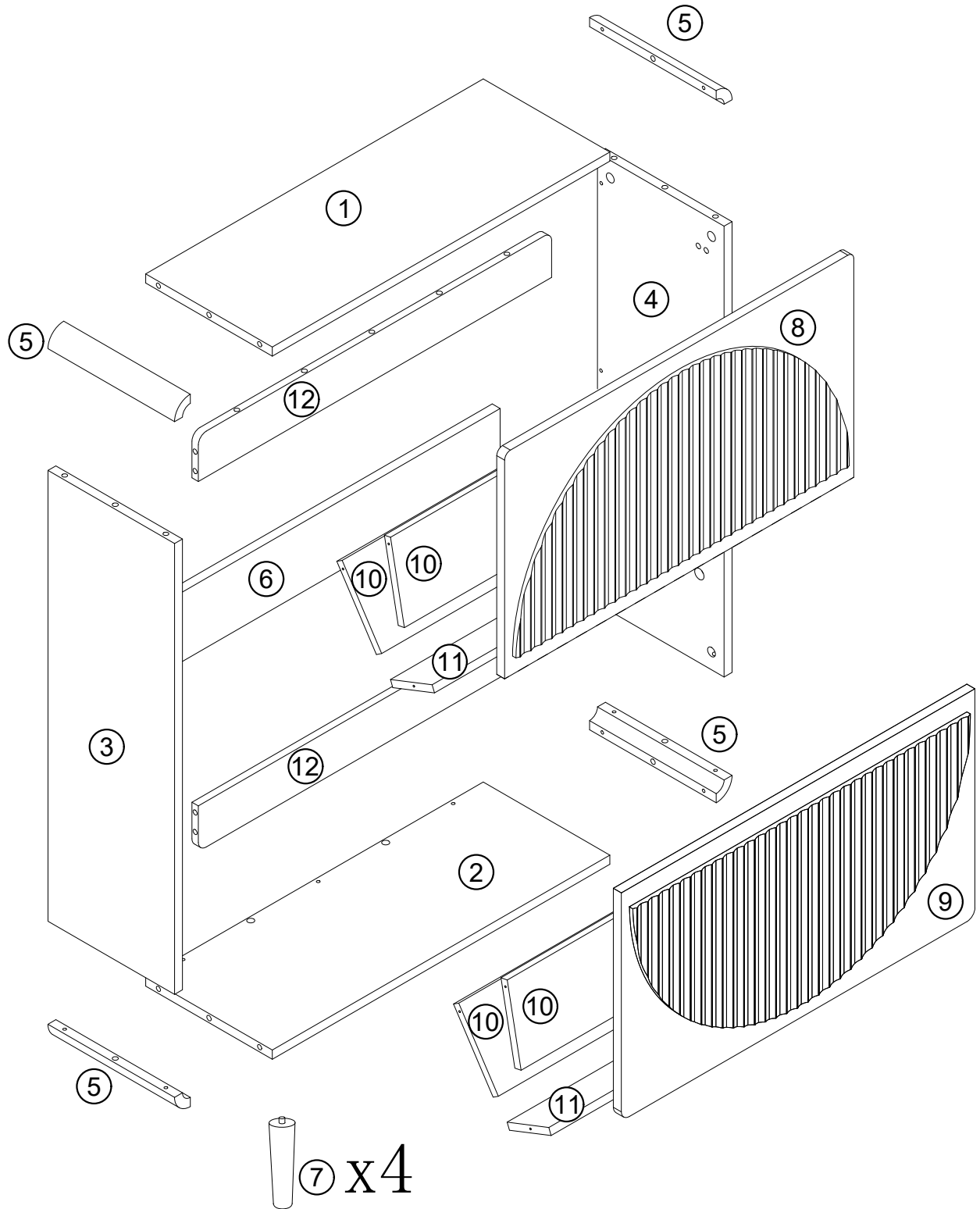
1. Do not tighten bolts / screws completely until all bolts / screws are lined up and inserted into holes.
2. Do not over tighten screws and bolts to avoid stripping
3. Please use hand tools to assemble this product, you can also use power tools (please use power tools carefully)

# Included Accessories

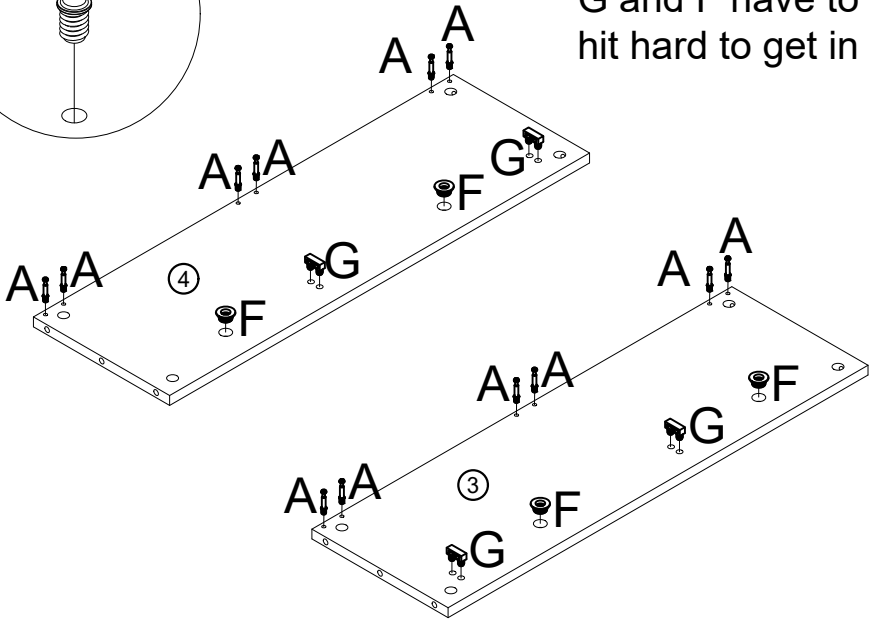
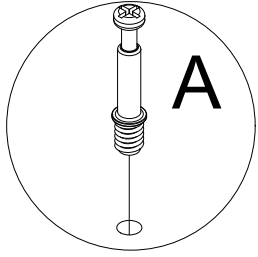
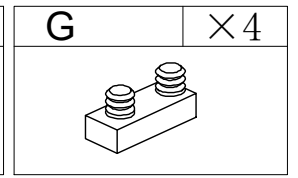
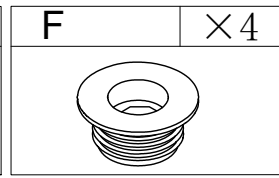
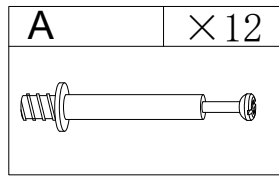
---

Code	Description	Qty
1	Cabinet Top	1
2	Bottom Panel	1
3	Left Side Panel	1
4	Right Side Panel	1
5	Arc connecting plate	4
6	Back stiffener	1
7	Large inner plate	4
8	Top left side door	1
9	Bottom door panel	1
10	Large inner plate	4
11	Inner lamella	2
12	Back stiffener	2

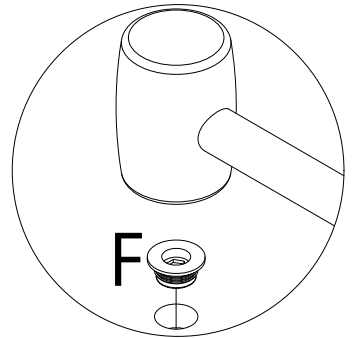
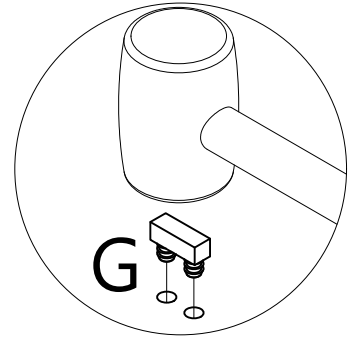
# The Accessories



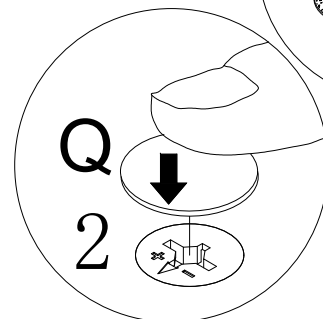
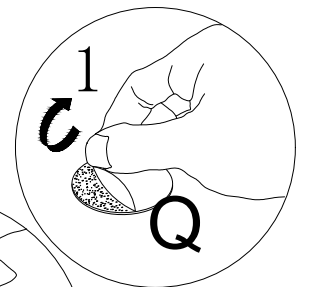
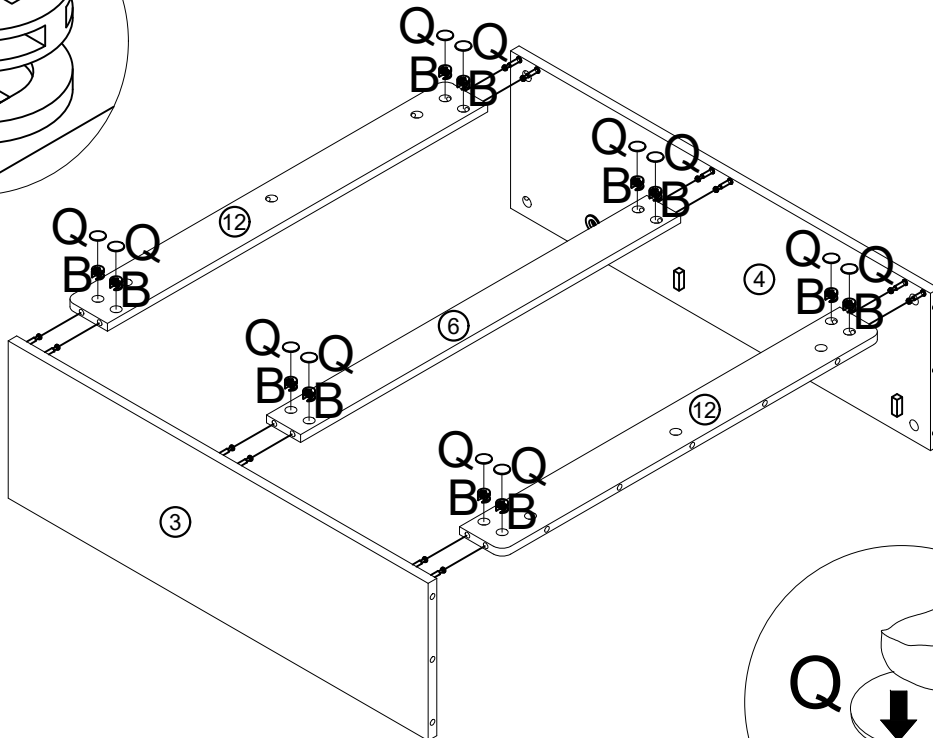
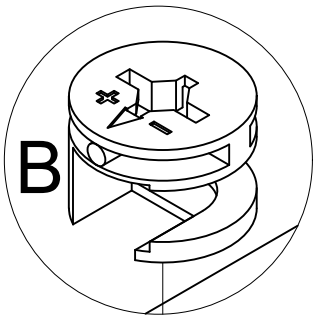
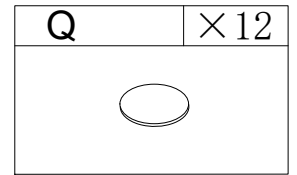
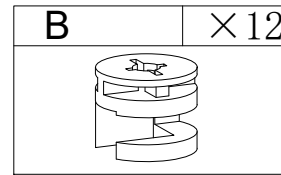
# Step 1



G and F have to be hit hard to get in

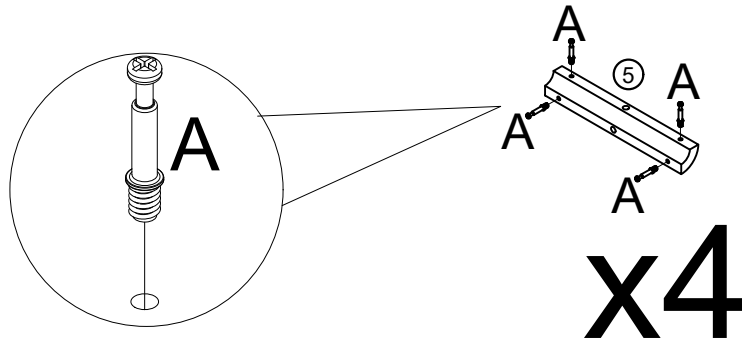


# Step 2



# Step 3

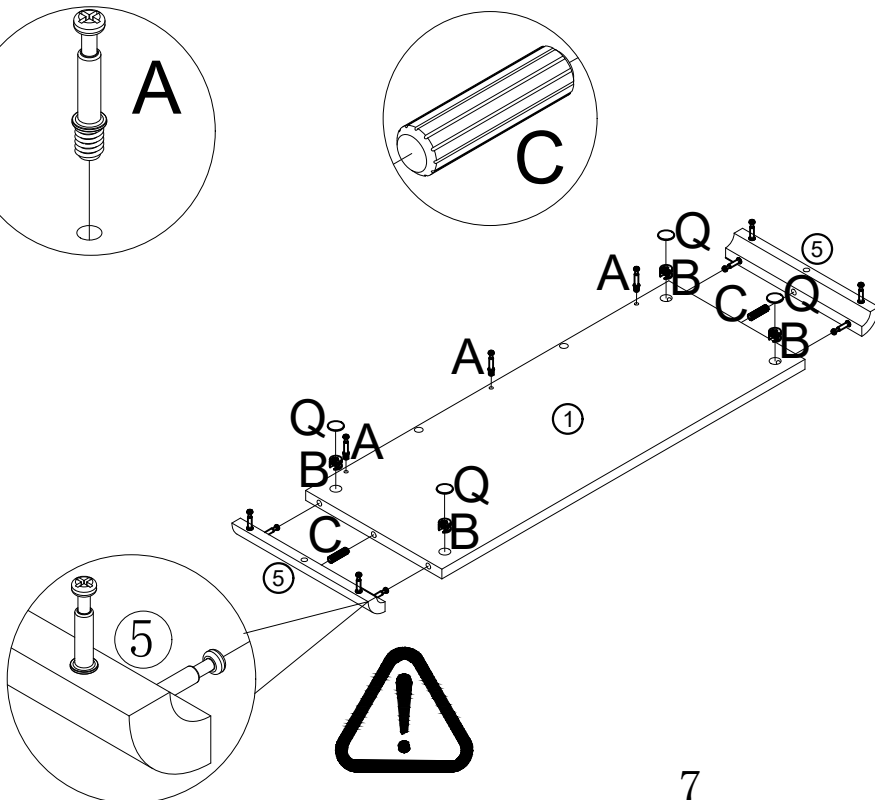
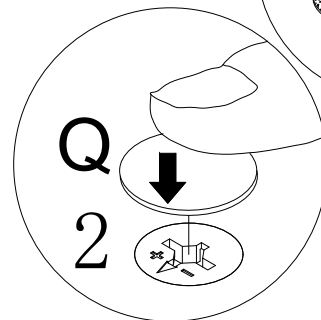
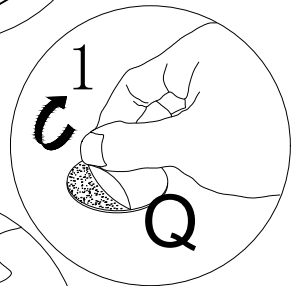
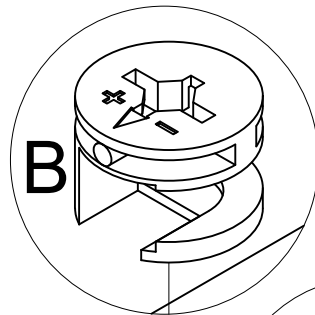
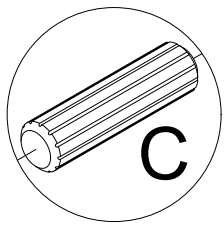
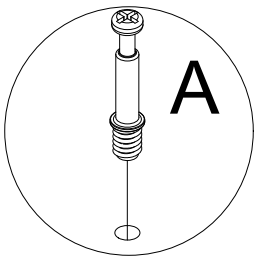
A	×16



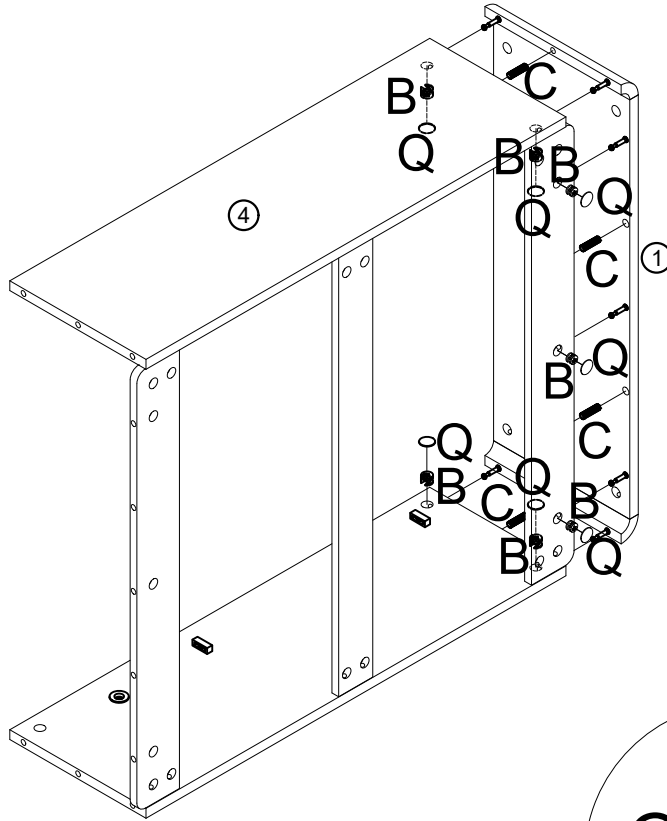
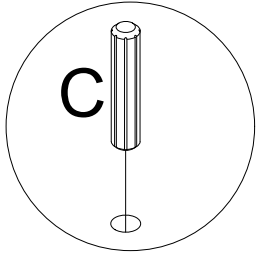
In this step, be careful not to break the No. ⑤ lock on the lock hardware A

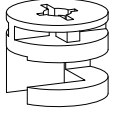
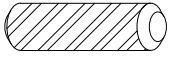

# Step 4

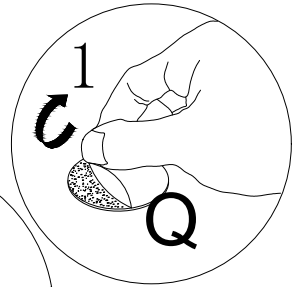
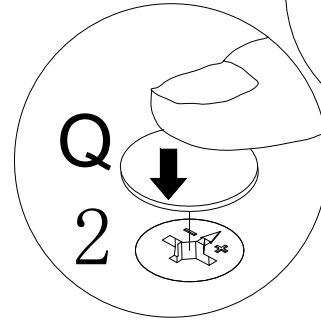
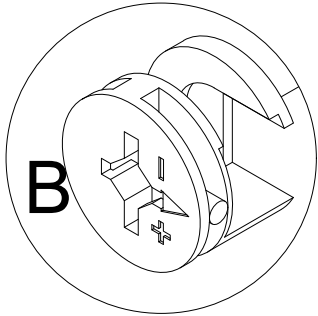
A	×3	B	×4	C	×2	Q	×4



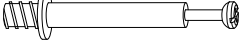
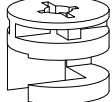
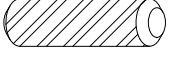
# Step 5

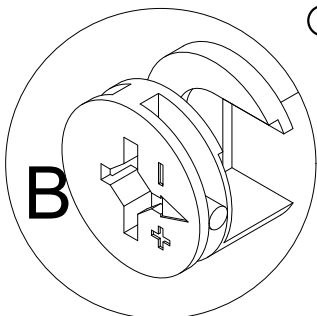
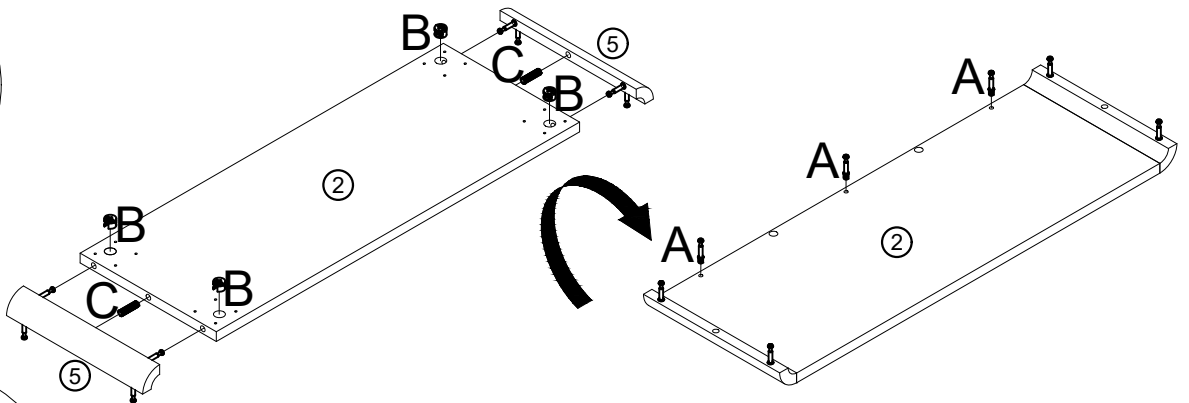
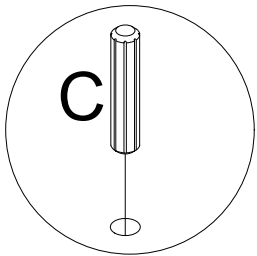


B	×7
	
C	×4
	
Q	×7
	

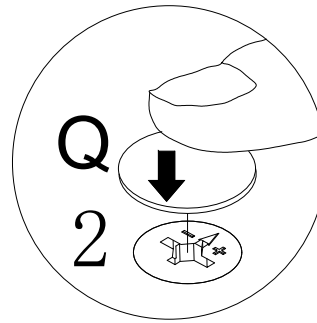
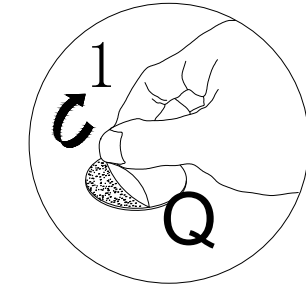
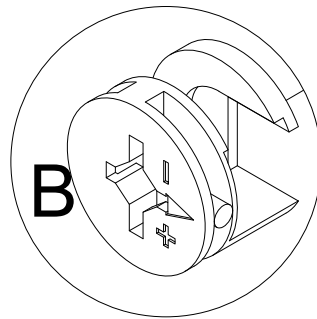
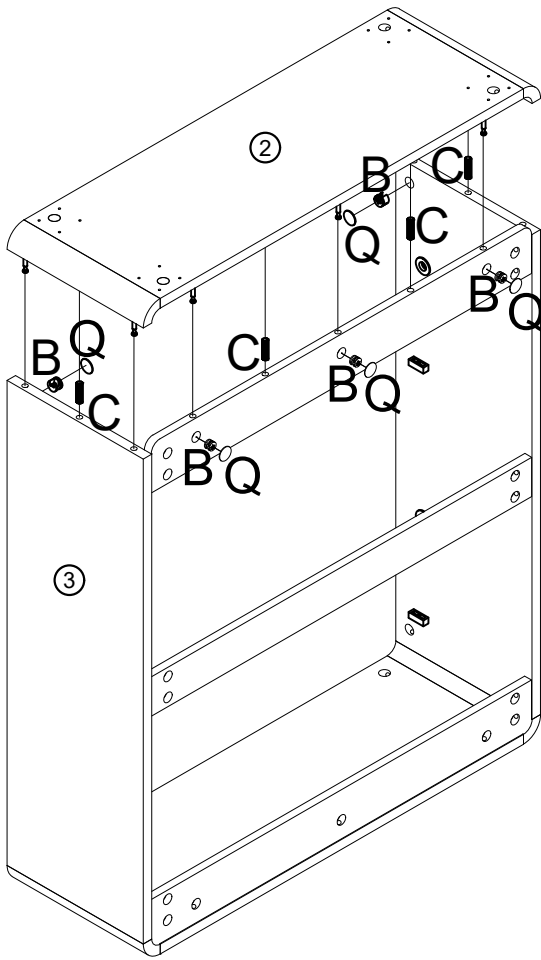
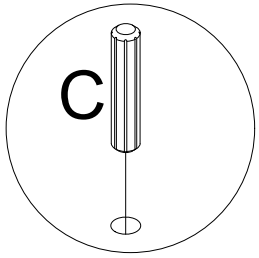


# Step 6

A	×3	B	×4	C	×2
					



# Step 7

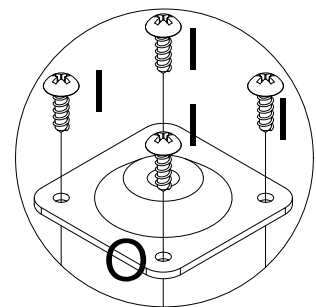
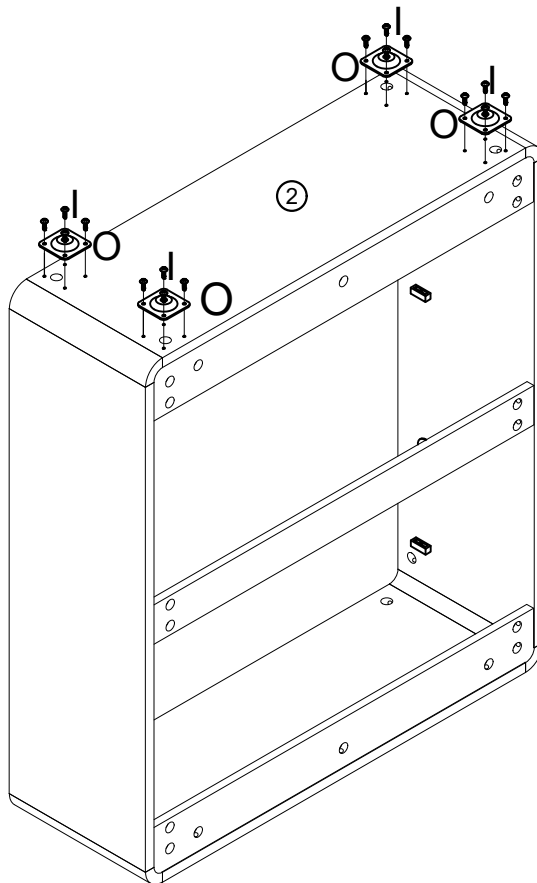


B	×7
C	×4
Q	×7

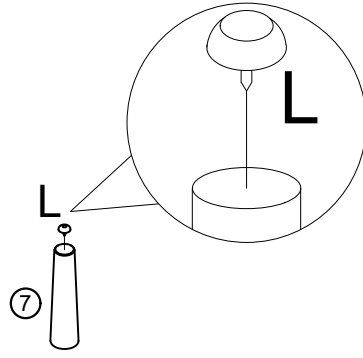
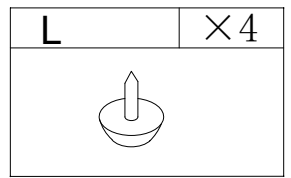
# Step 8

I	×16

O	×4

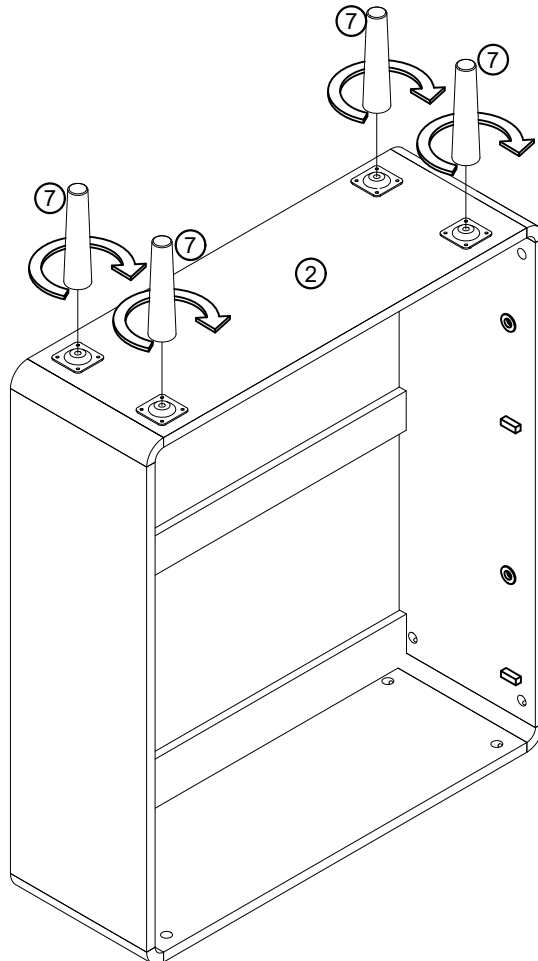


# Step 9

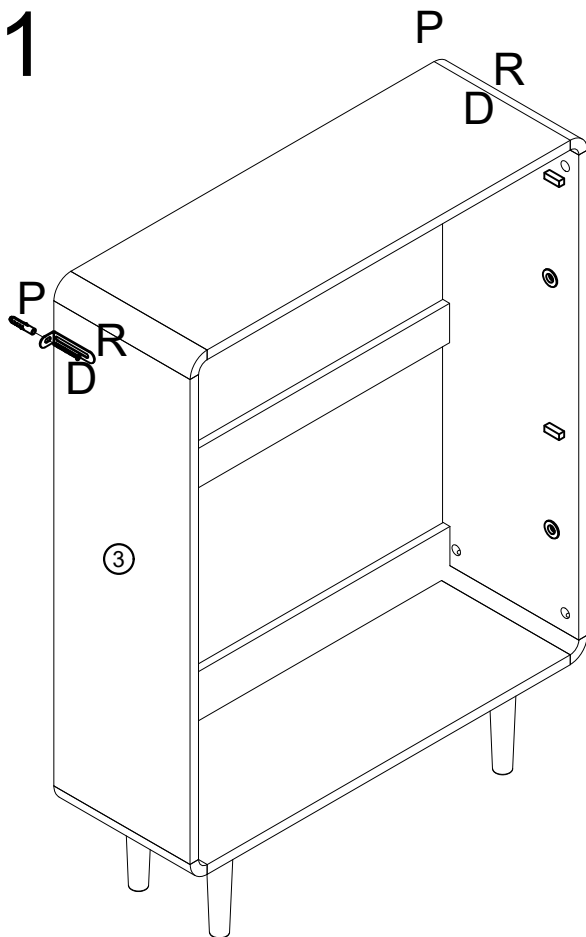


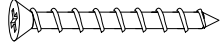
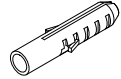
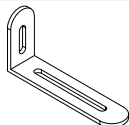
x4

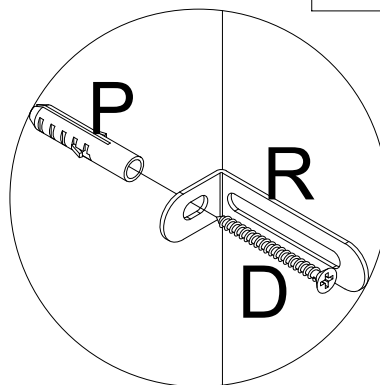
# Step 10



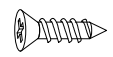
# Step 11

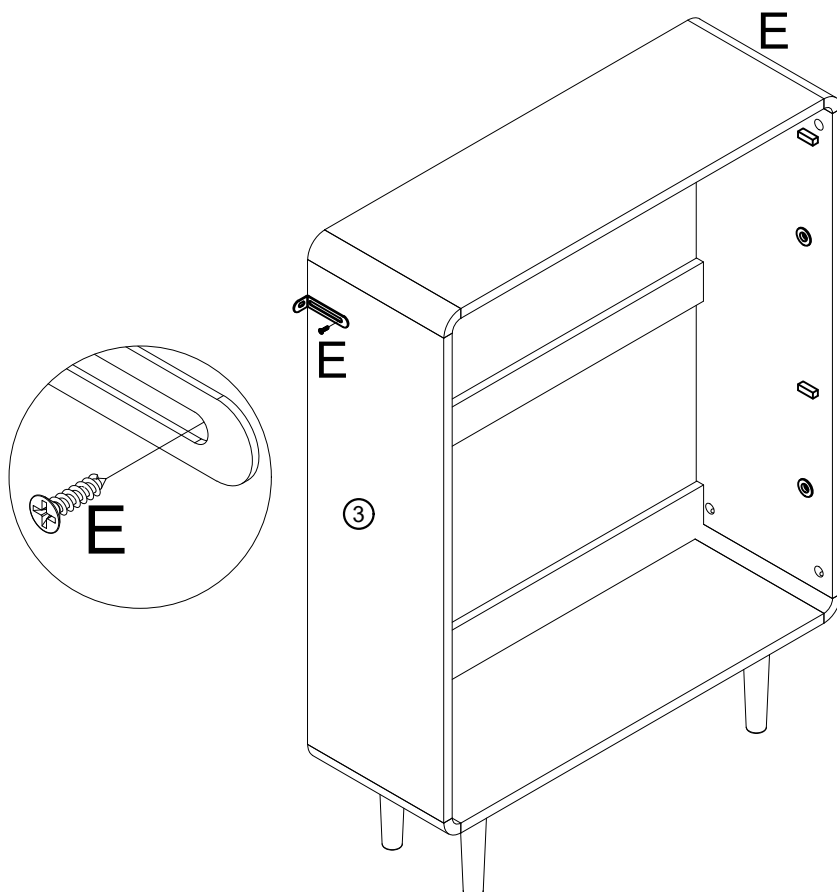


D	×2
	
P	×2
	
R	×2
	

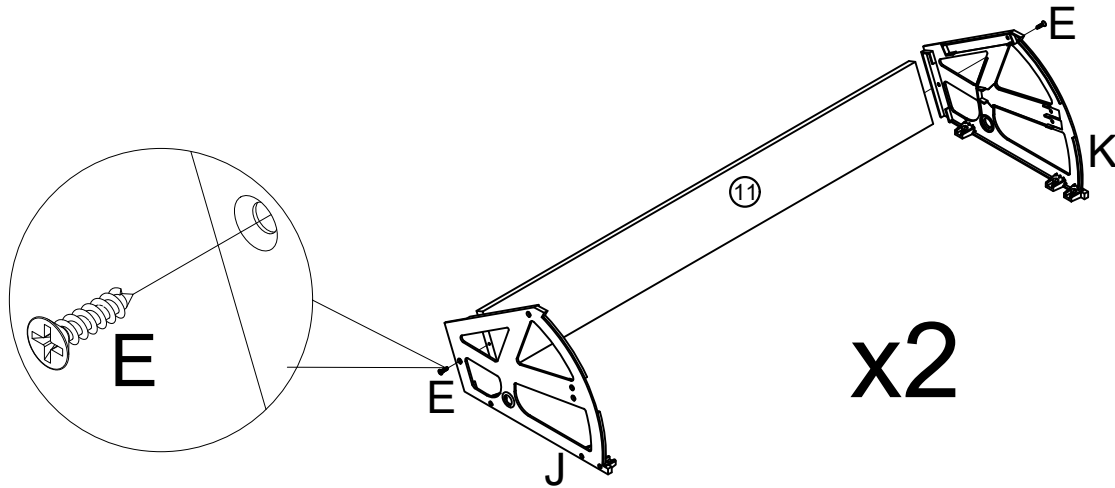
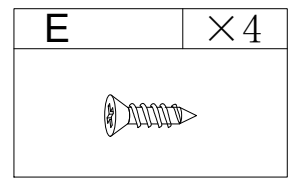
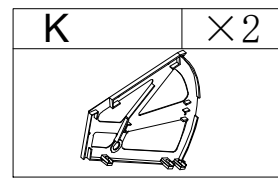
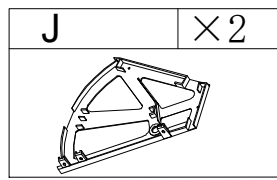


# Step 12

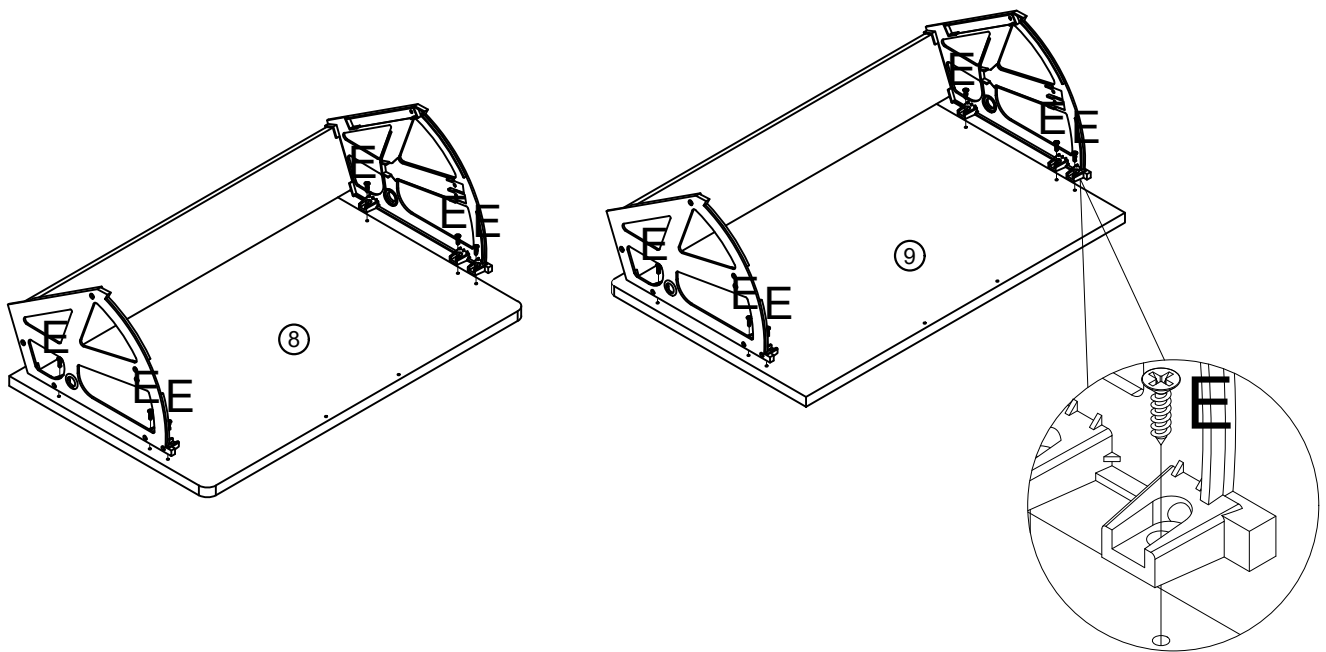
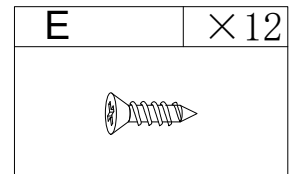
E	×2
	




# Step 13

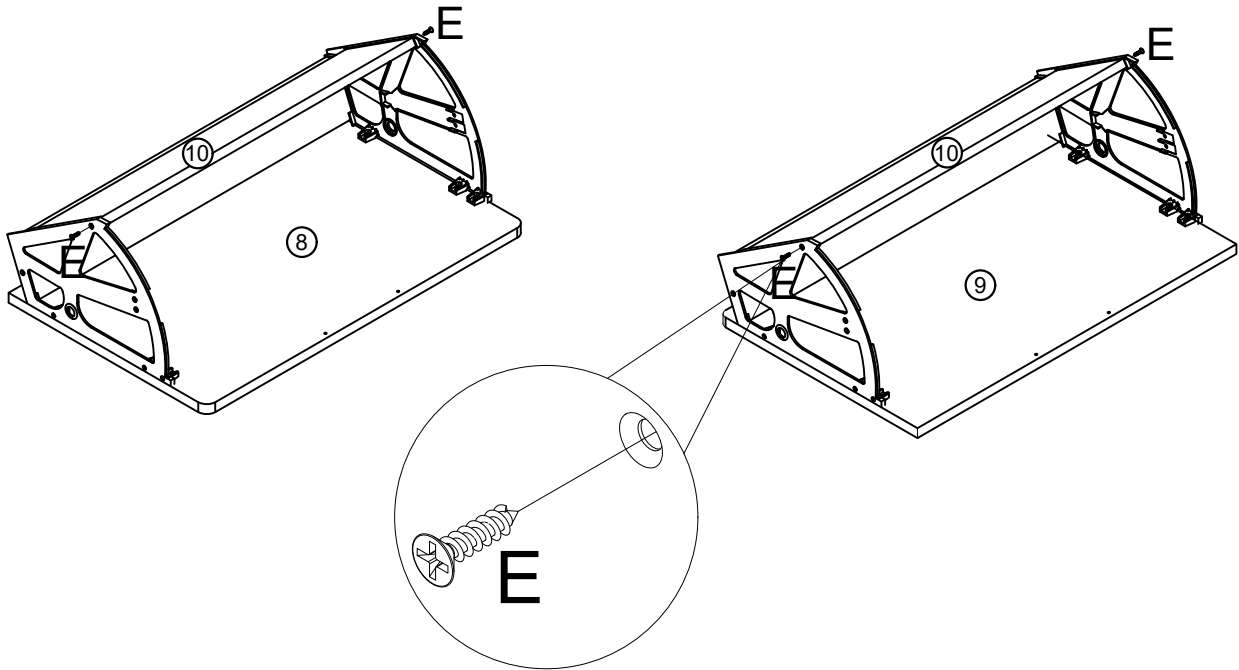


# Step 14


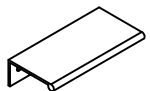


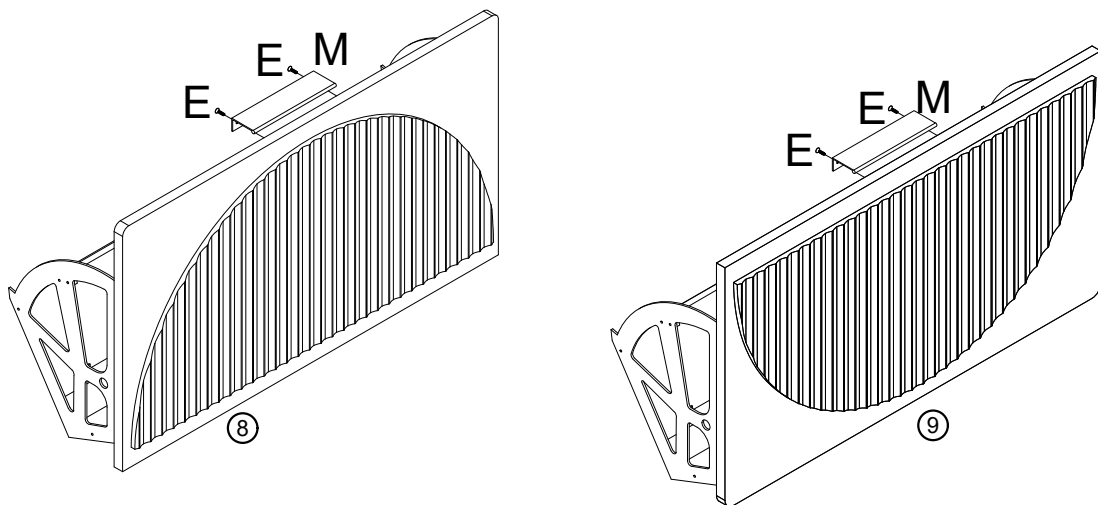
# Step 15

E	×4
	

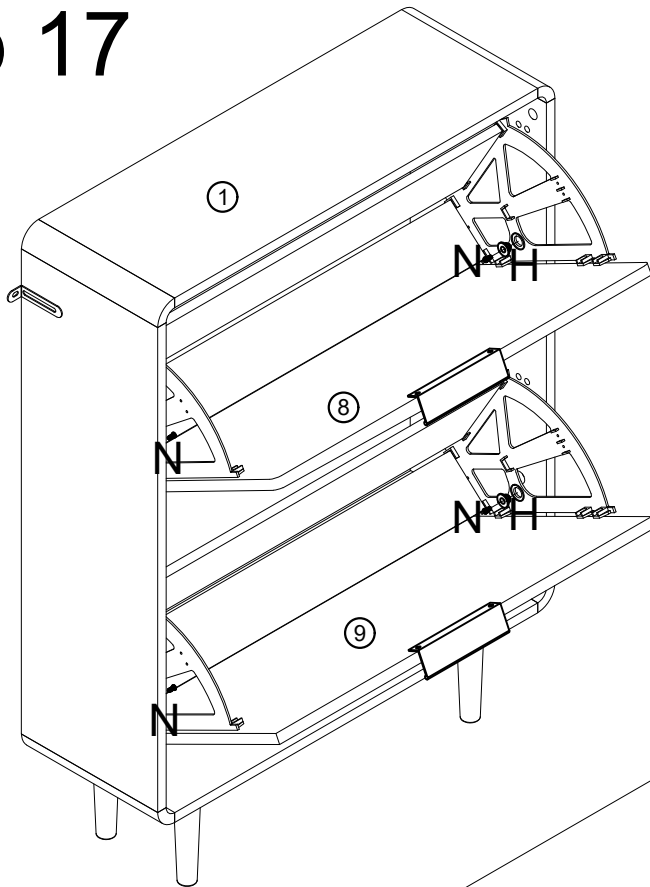


# Step 16

E	×4	M	×2
			

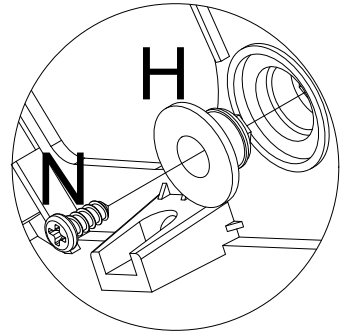


# Step 17

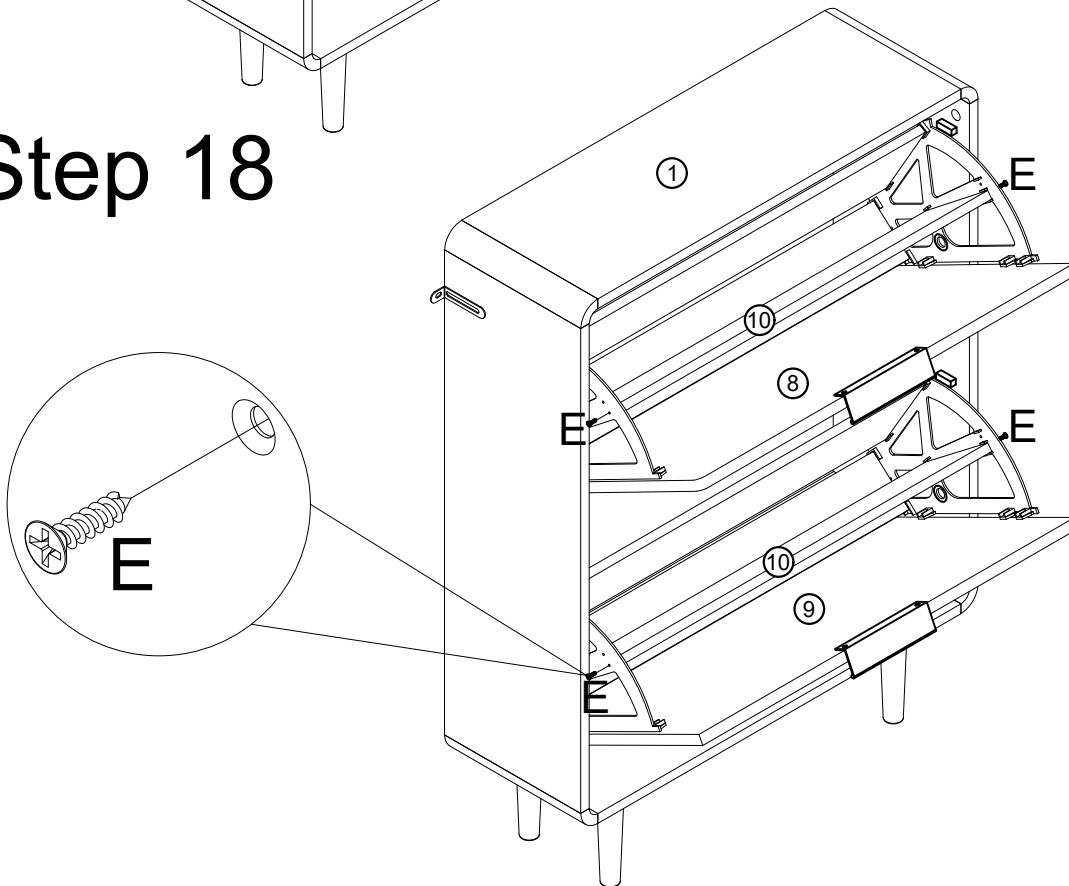


H	×4	N	×4

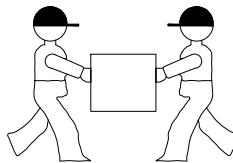
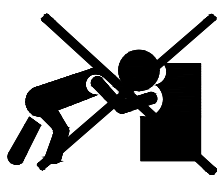
Take care to lock part N through Part H to the middle hole of part F. Otherwise, the part F of the accessory will be damaged resulting in failure to lock



# Step 18



E	×4



Two people work together to move the table. Make sure you lift it off the ground. Don't push and pull.