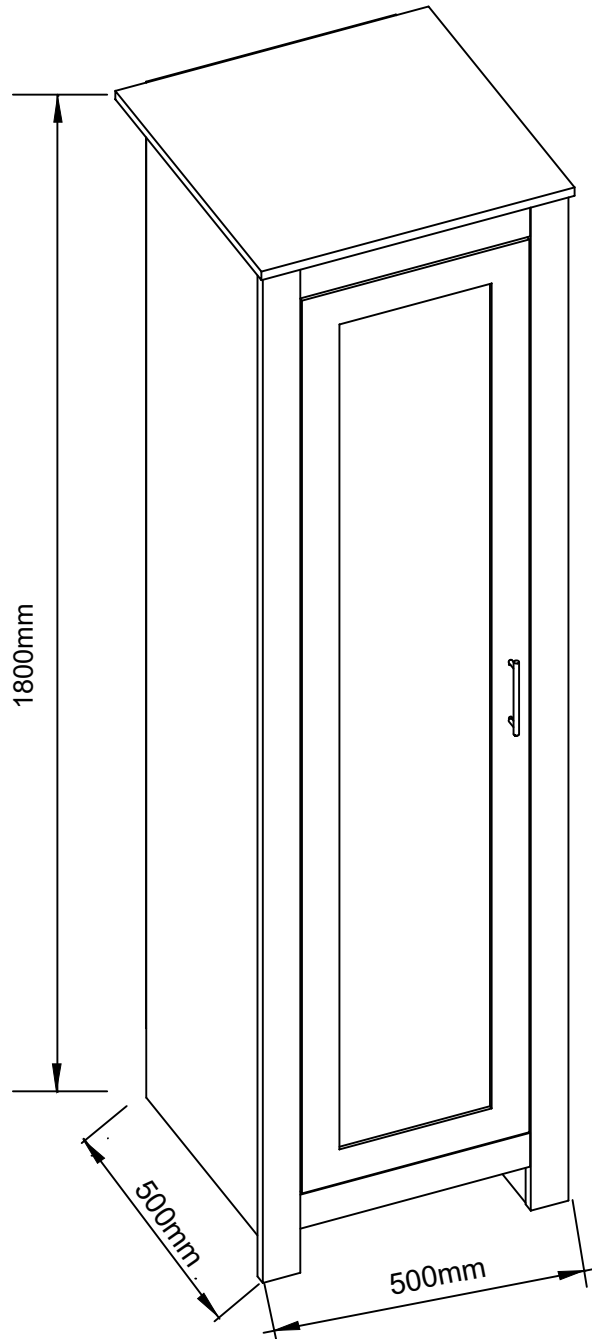


1 Door Wardrobe

Assembly Instructions – Please keep for future reference



Dimensions	No. people	Assembly Time
Width: 50 cm Depth: 50 cm Height: 180cm		30 mins (approx.)

Important

- PLEASE READ THESE INSTRUCTIONS FULLY BEFORE STARTING ASSEMBLY
- PLEASE DO NOT THROW THE PACKAGING AWAY UNTIL YOU ARE SATISFIED WITH PURCHASE, GOODS NEED TO BE RETURNED IN ORIGINAL PACKAGING.

! Safety and Care Advice

Important – Please read these instructions fully before starting assembly

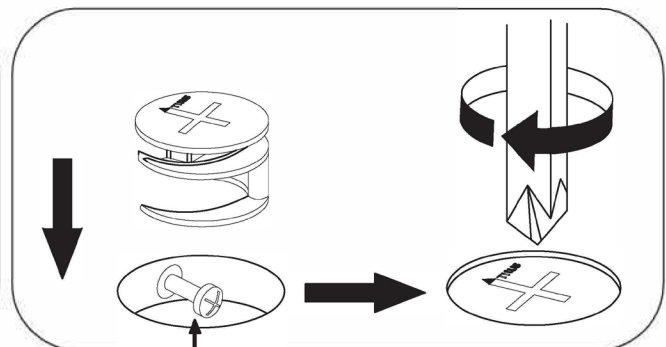
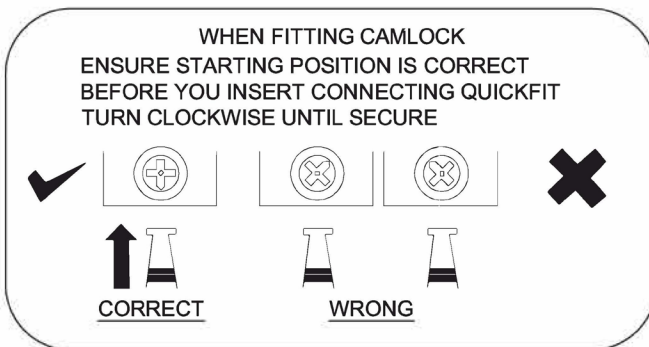
- Check you have all the components and tools listed on pages 4 and 5.
- Remove all fittings from the plastic bags and separate them into their groups.
- Keep children and animals away from the work area, small parts could choke if swallowed.
- Make sure you have enough space to lay out the parts before starting.
- Do not stand or put weight on the product, this could cause damage.
- Assemble the item as close to its final position (in the same room) as possible.
- Assemble on a soft, level surface to avoid damaging the unit or your floor.
- We do not recommend the use of power drill/drivers for inserting screws, as this could damage the unit. Only use hand screwdrivers.
- Dispose of all packaging carefully and responsibly.



Care and Maintenance

- Only clean using a damp cloth and mild detergent, do not use bleach or abrasive cleaners.
- From time to time check that there are no loose screws on this unit.
- This product should not be discarded with household waste. Take to your local authority waste disposal centre.

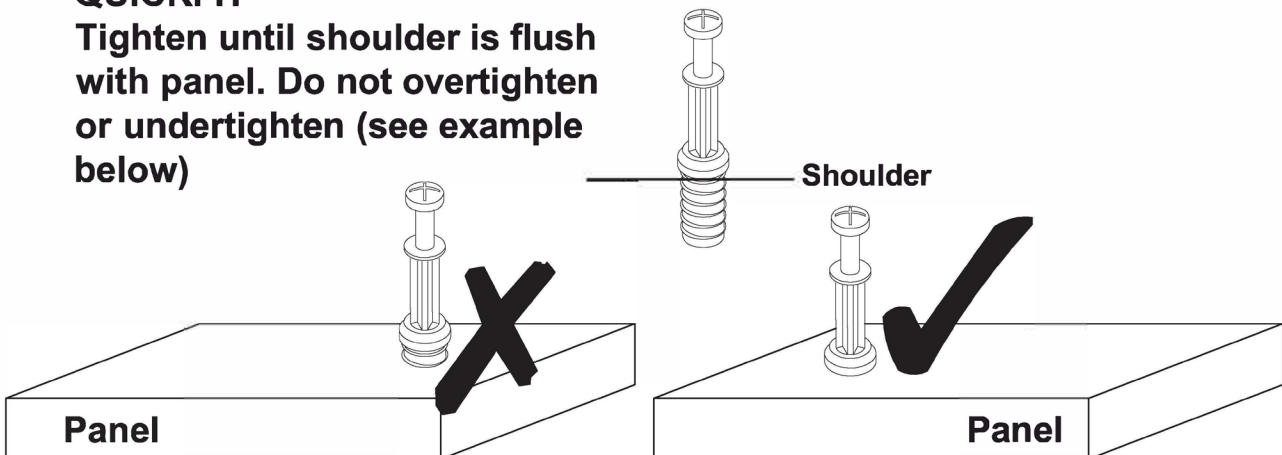
SPECIAL TIPS FOR FITTING CAM-LOCKS AND QUICKFIT



Quickfit head needs to be in centre

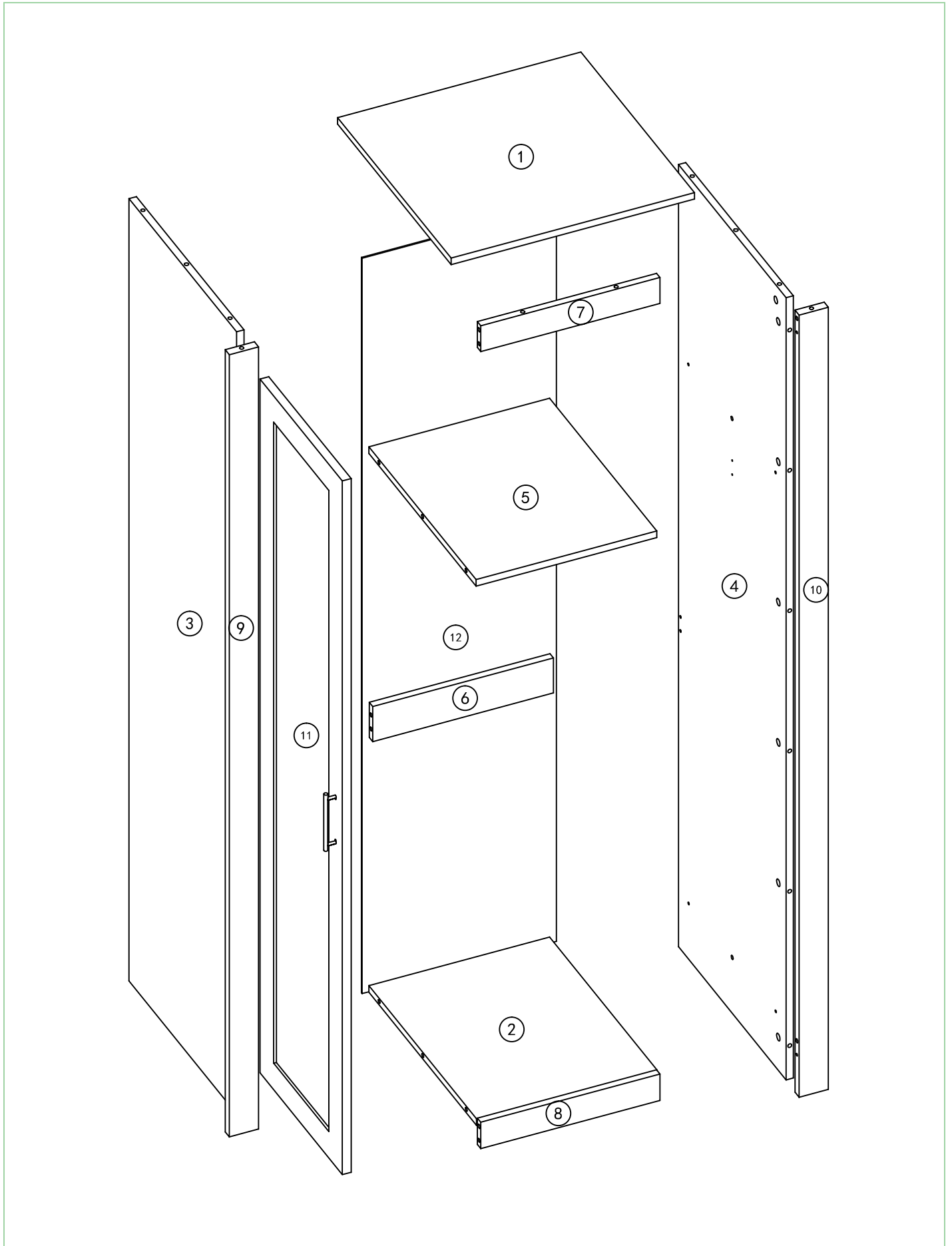
QUICKFIT

Tighten until shoulder is flush with panel. Do not overtighten or undertighten (see example below)



If you are unhappy with the product and wish to return it, please follow the retailer's returns procedure.

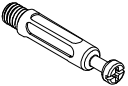

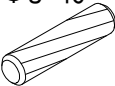
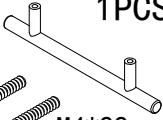

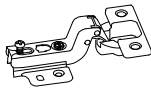
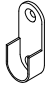
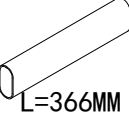

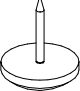
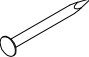
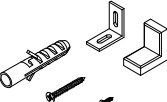
Exploded View



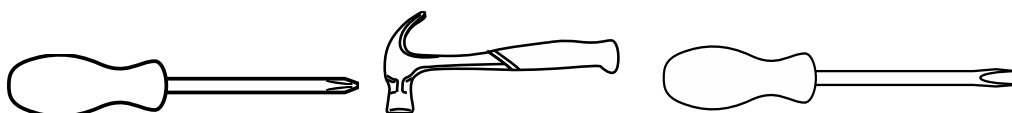
Components - Fixings

Please check that you have all the components listed below before constructing your item.

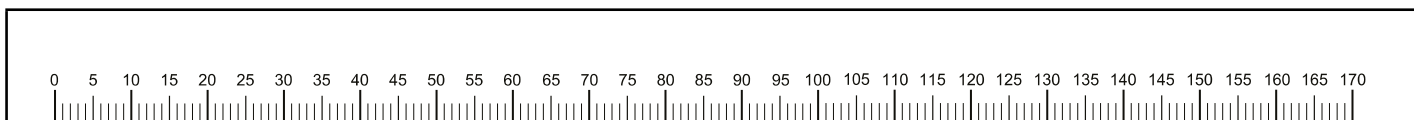
Note: The quantities below are the correct amount to complete the assembly. In some cases more fittings may be supplied than are required.

A 38PCS $\Phi 6*40$ 	B 38PCS $\Phi 15*11$ 	C 10PCS $\Phi 8*40$ 	D 1PCS  M4*22 	E 3PCS 	F 2PCS 
G 38PCS  L=366MM	H 22PCS M3.5*14 	J 4PCS 	K 30PCS 	L 1PCS 	

Tools Required



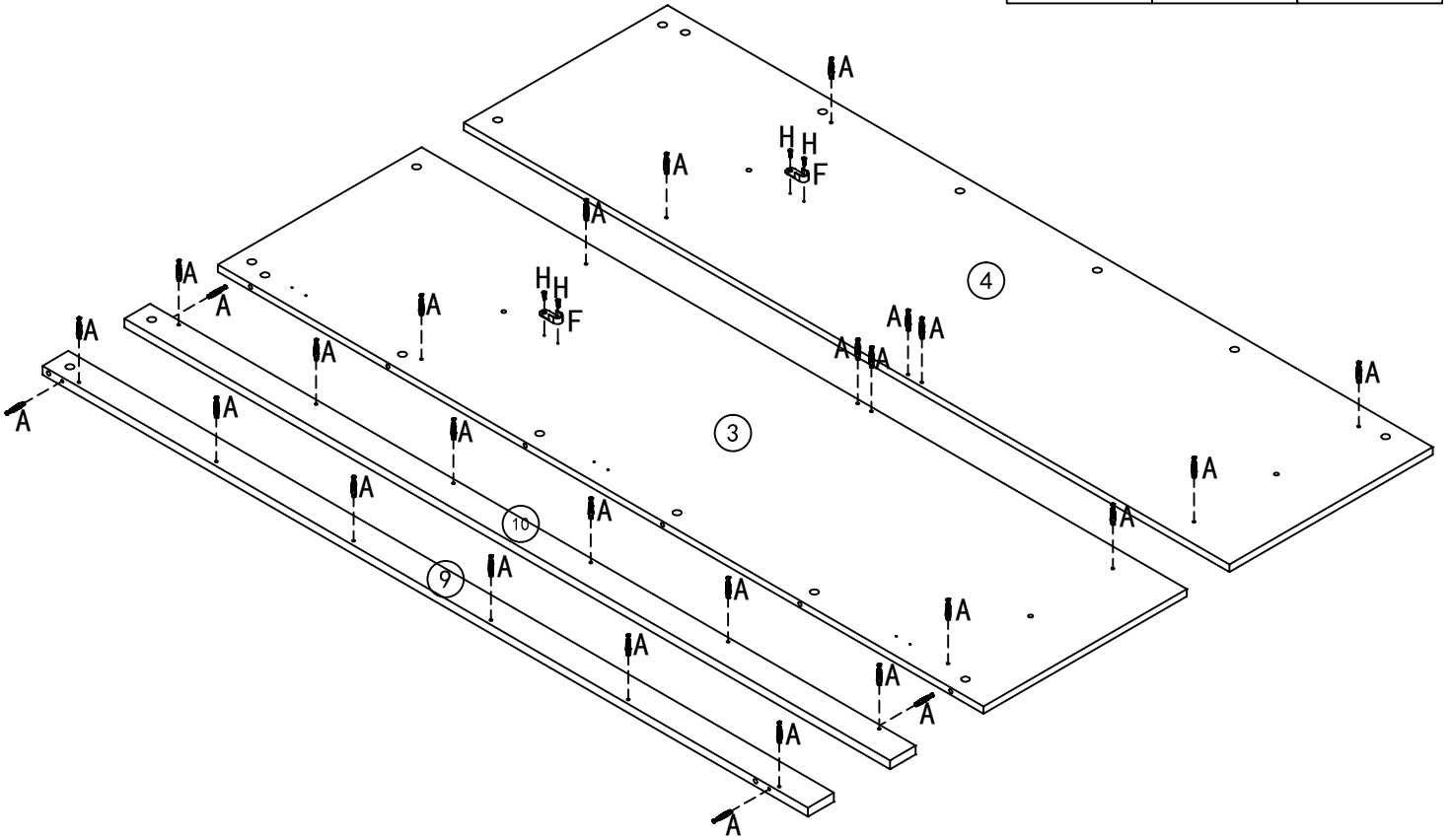
Ruler – Use this to measure your screws (mm)



Important – Please read these instructions fully before starting assembly

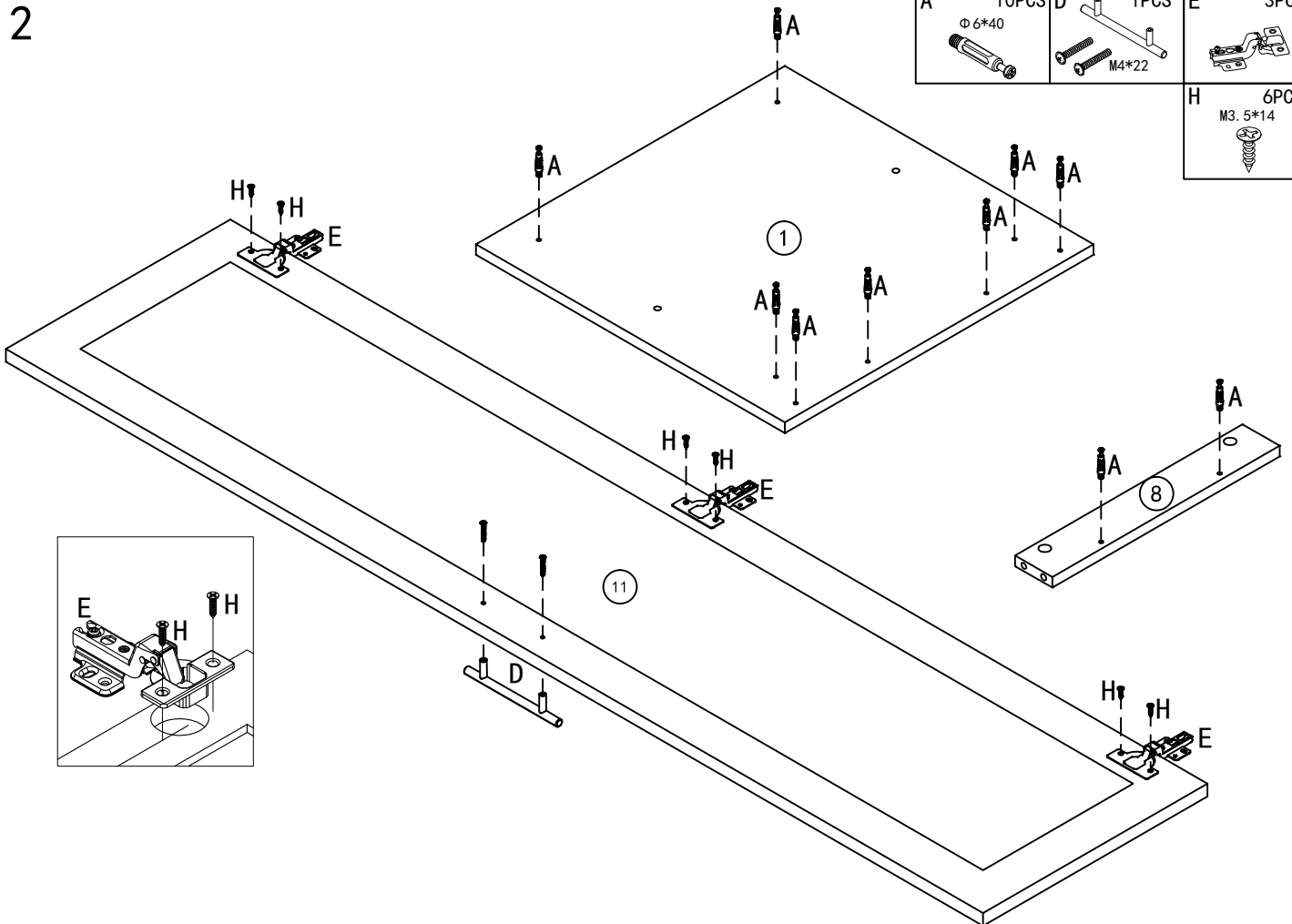
1

A	28PCS Φ 6*40	F	2PCS	H	4PCS M3.5*14
---	-----------------	---	------	---	-----------------



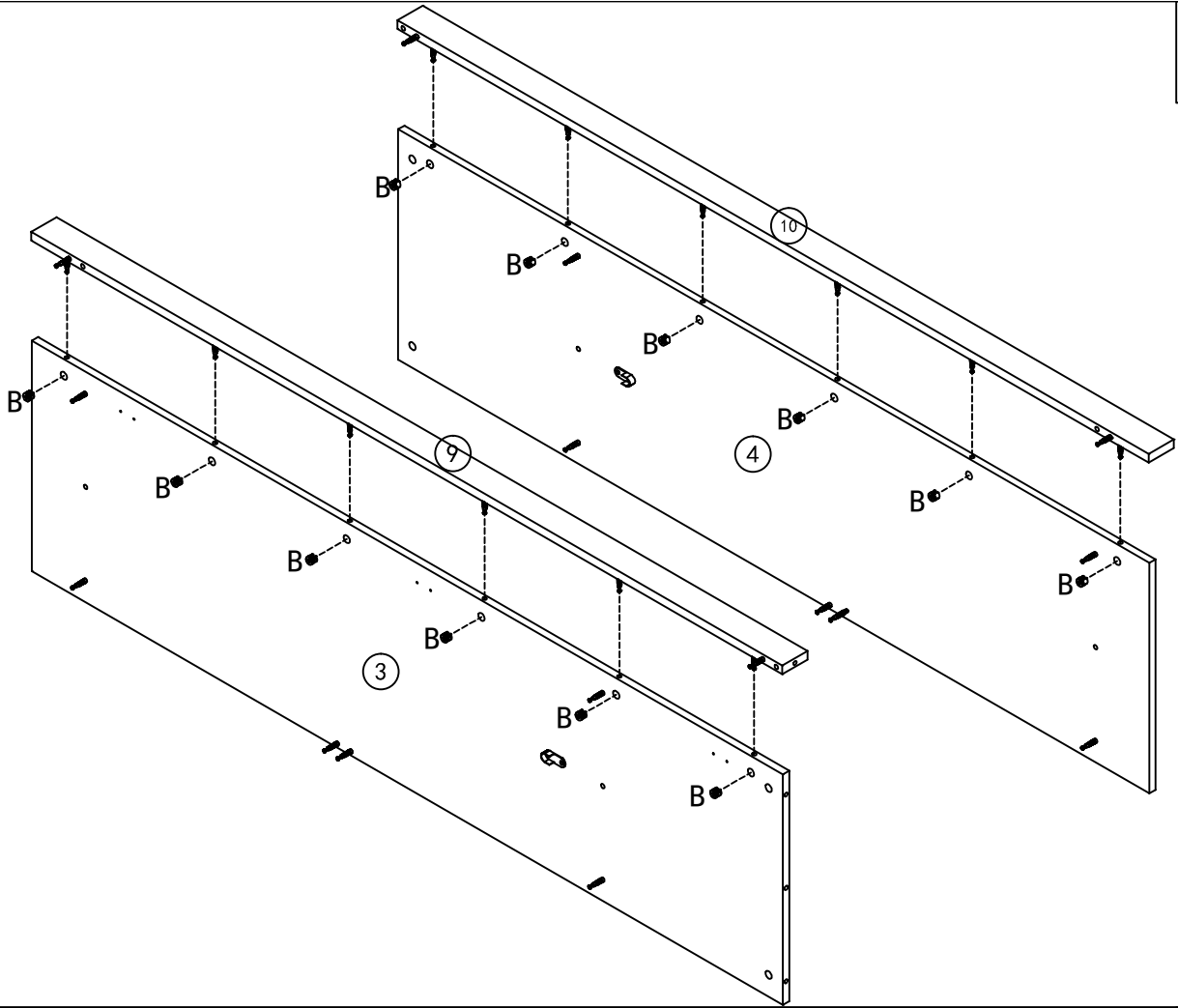
2

A	10PCS Φ 6*40	D	1PCS M4*22	E	3PCS
				H	6PCS M3.5*14



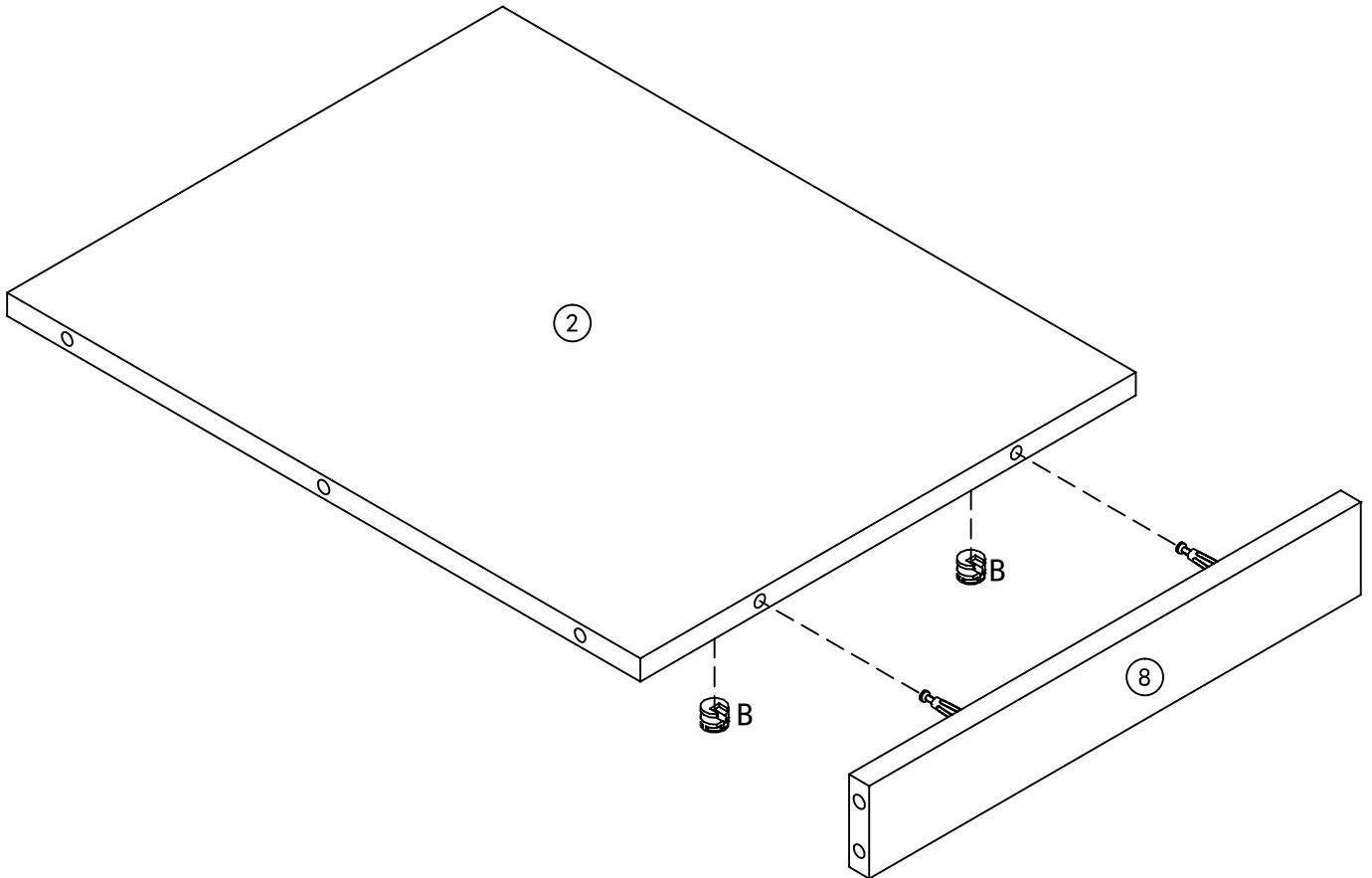
3

B 12PCS
Φ15*11

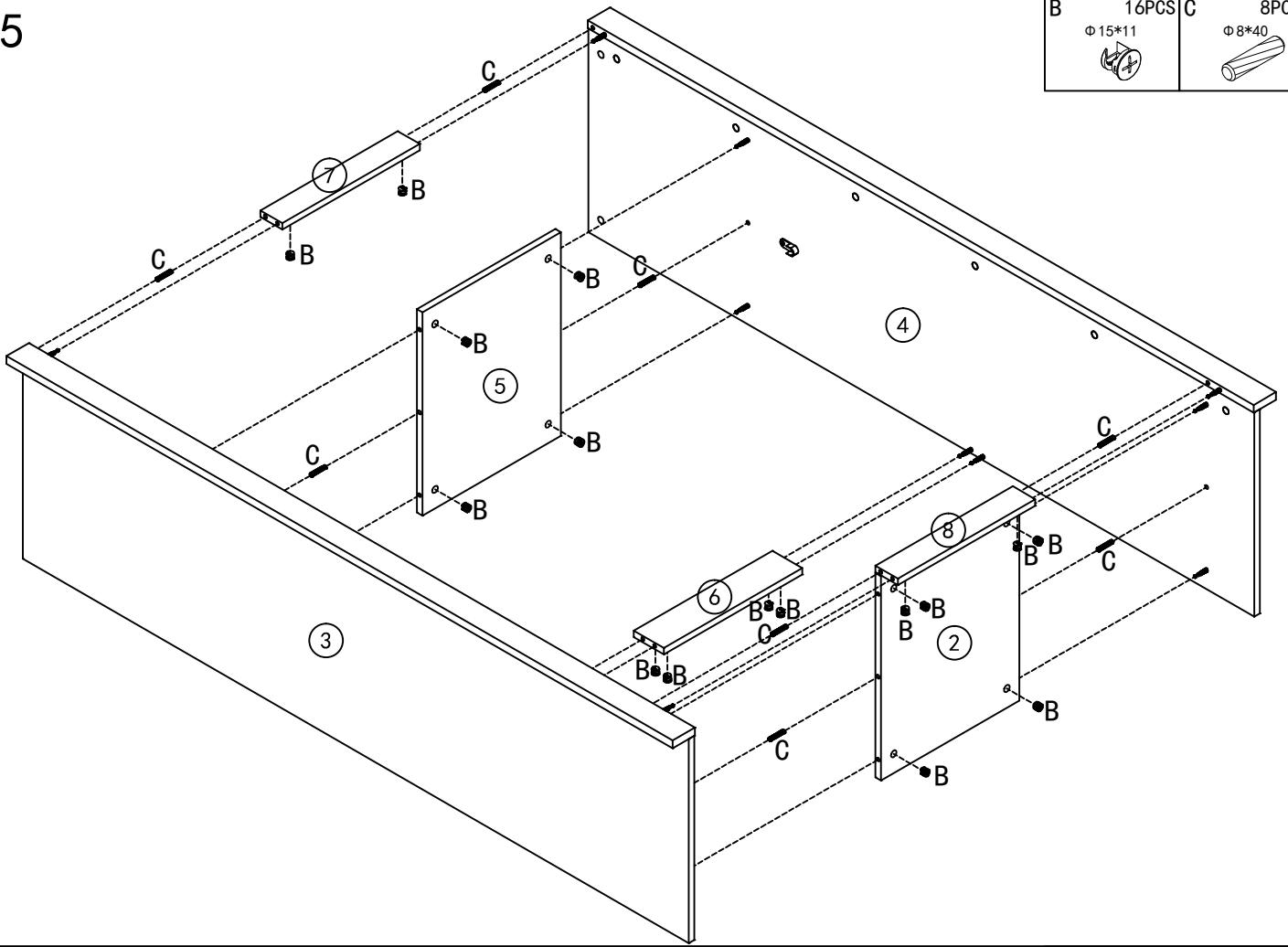


4

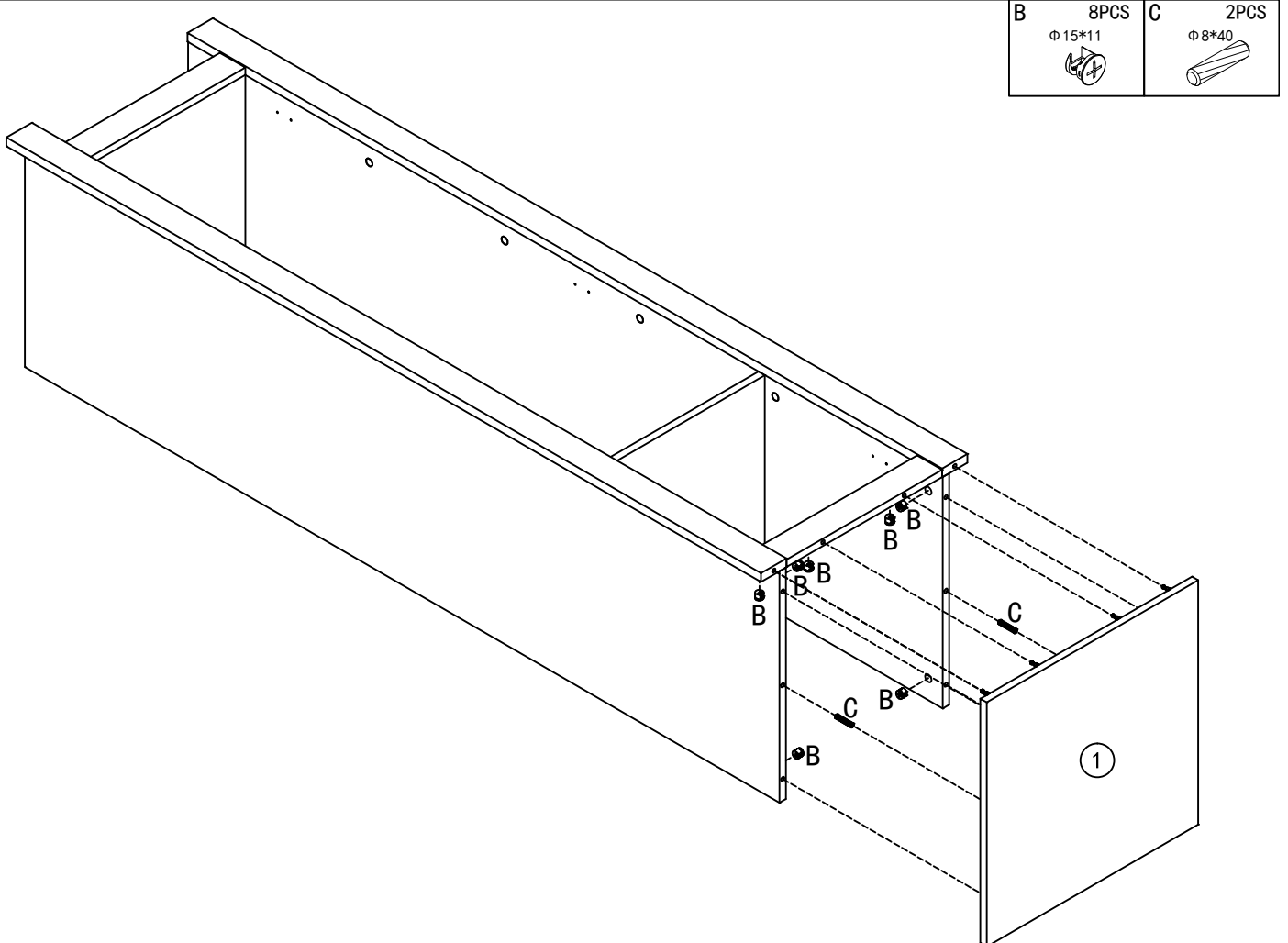
B 2PCS
Φ15*11



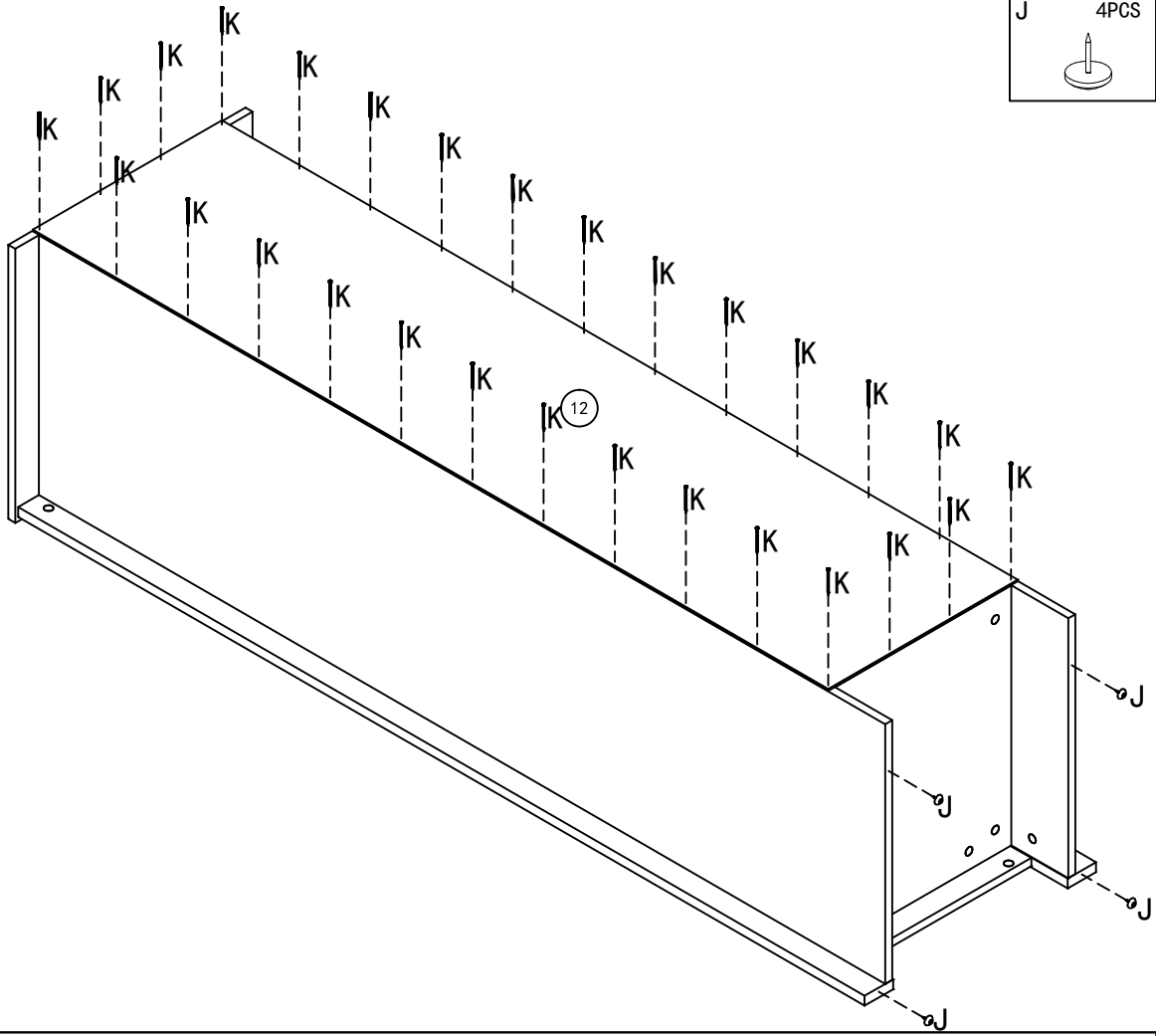
5





6

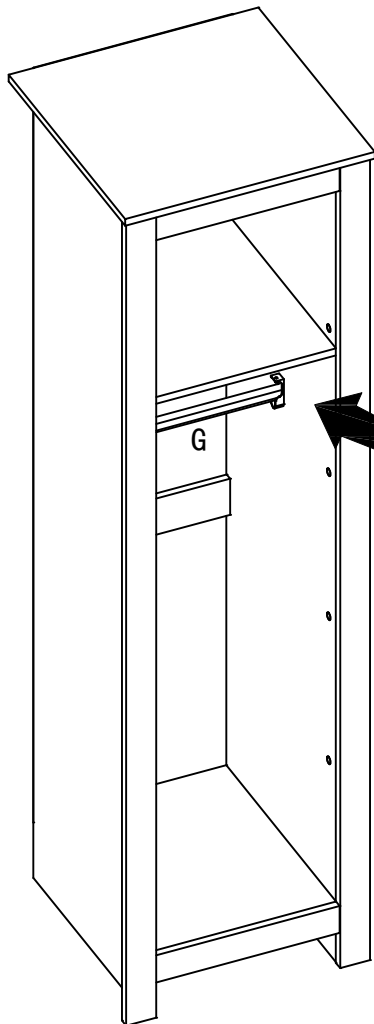


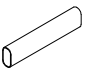
7



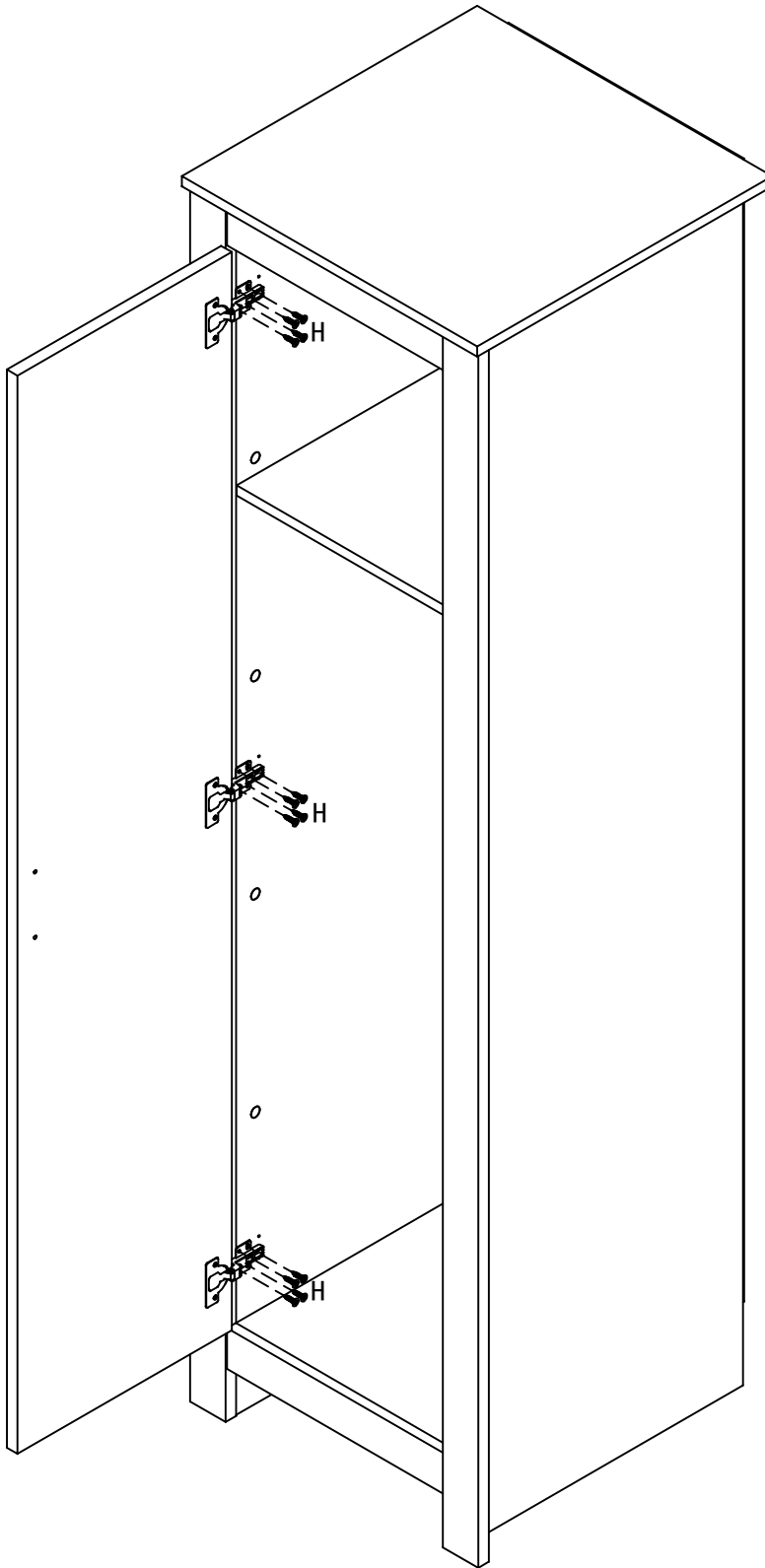
J	4PCS	K	30PCS
			

8

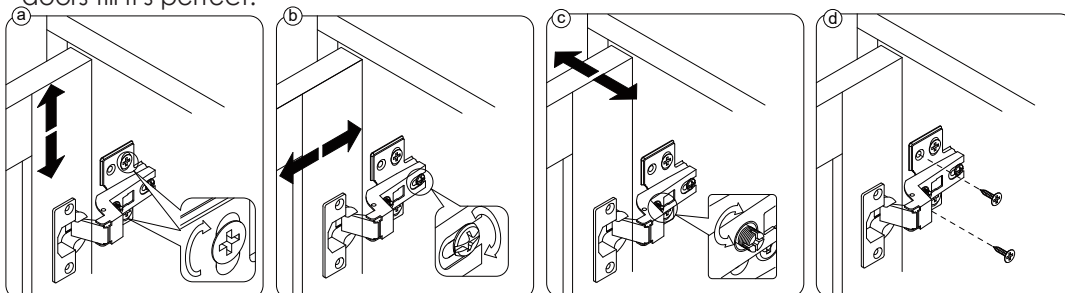


G	1PCS
	

9



When the hinges are installed, you can refer to the pictures to adjust crevice of the doors till it's perfect:



1. To adjust the doors up and down, please refer to step (a)
2. To adjust the distance between the doors and side panels, please refer to step(b)
3. To adjust the gap between two doors, please refer to step (c)
4. After the adjustment finished, please tight the screws, refer to step (d)

