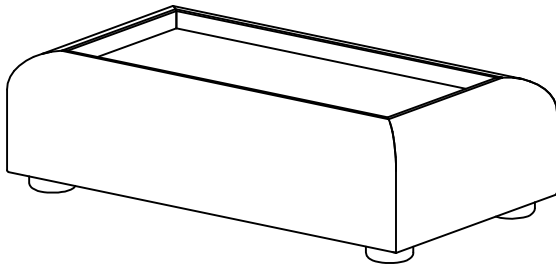


ASSEMBLY INSTRUCTIONS

meridian.
furniture

236Natural-C / 236Black-C COFFEE TABLE



+ Do Not Use Power Tools



+ Suggested Adults



NOTE: For questions about parts or assembly please email support@meridianfurnitureusa.com or call us at 718-758-4455.

- 1 Read instructions cover to cover.
- 2 Save all packaging until assembly is completed.

1 IMPORTANT SAFETY INFORMATION

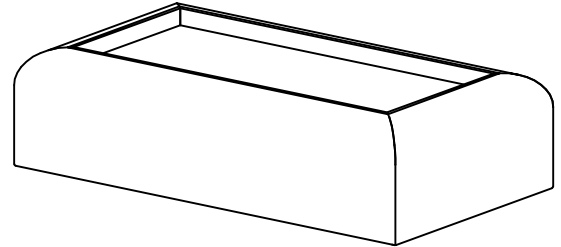
- Do not** assemble the product if the parts arrived damaged.
- Do not** assemble if Hardware parts are missing.

2 IMPORTANT ASSEMBLY INFORMATION

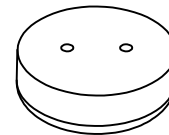
Assembly Step If loosening persists, please make sure to tighten all the bolts periodically, or use a thread locker adhesive.

+ Parts Included

- ① Body (1 pc)



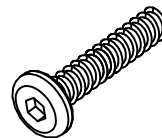
- ② Legs (4 pcs)



+ Parts Included

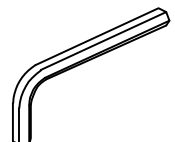
- A. Bolt
Ø8x60mm (8 pcs)

- B. Spring Washer
Ø8xØ12mm (8 pcs)



- C. Flat Washer
Ø8xØ19mm (8 pcs)

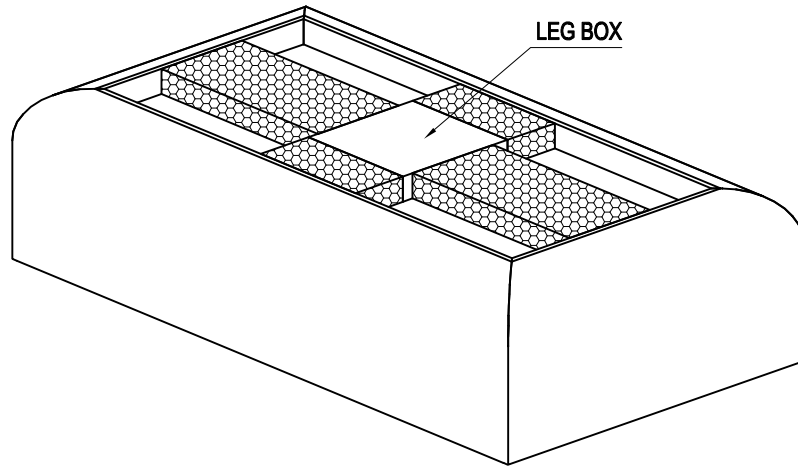
- D. Allen Key (1 pc)



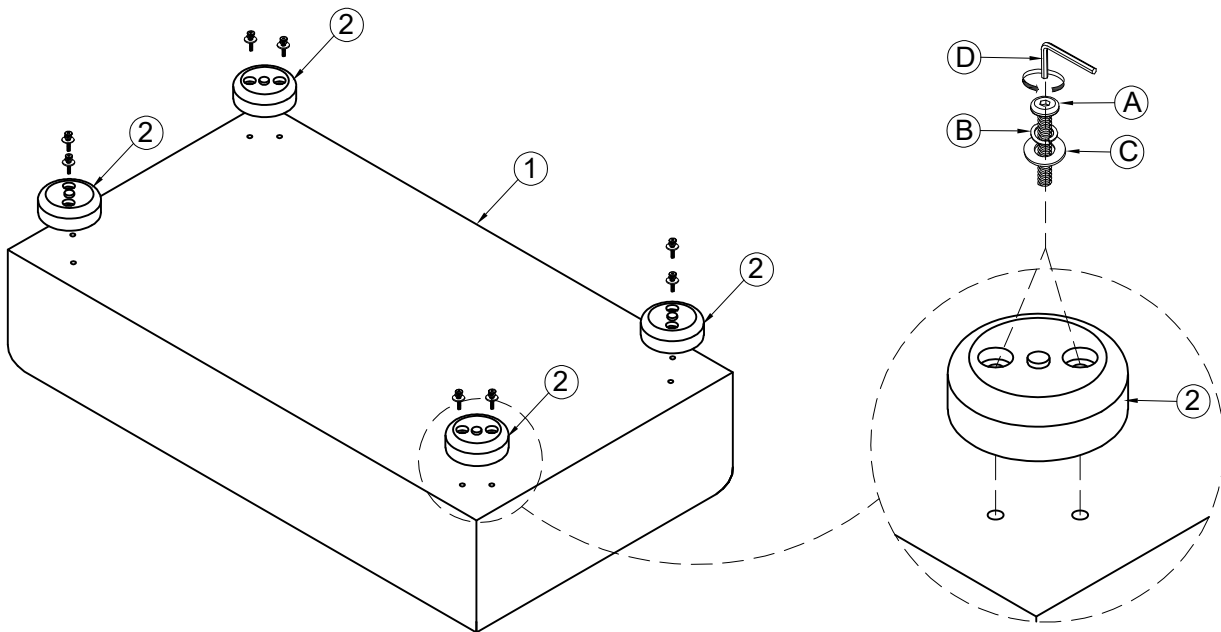
ASSEMBLY INSTRUCTIONS

263Natural-C / 236Black-C COFFEE TABLE

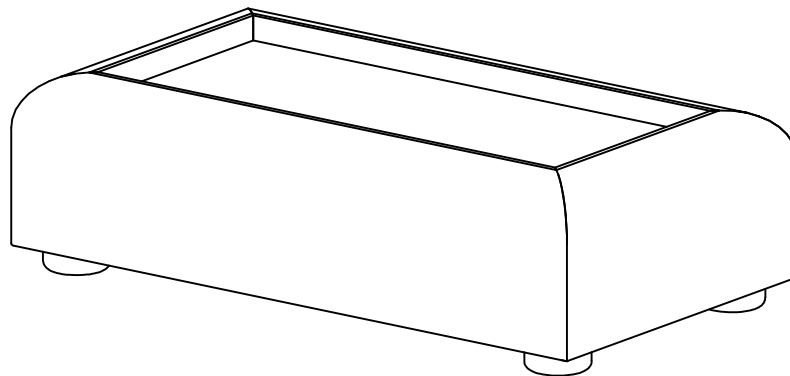
①



②



③



NOTE: For questions about parts or assembly please email support@meridianfurnitureusa.com or call us at 718-758-4455.
www.MeridianFurnitureUSA.com | support@meridianfurnitureusa.com