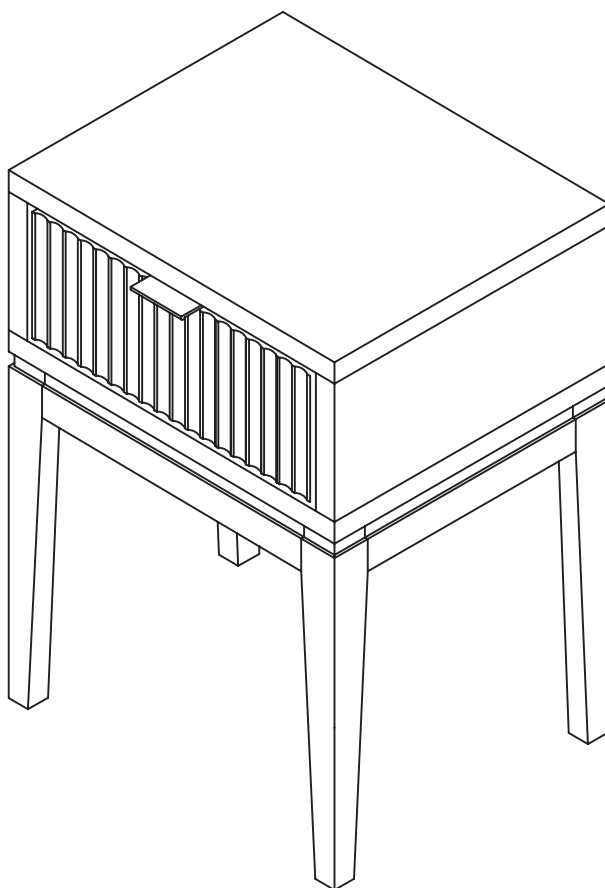


Let's build the

Jasper Nightstand



Ok, let's get rolling

This should be easy, just follow our instructions and you will be back to Netflix in no time.

Estimated time for assembly



5:00

What you need

- Some of your favourite bubbly or your preferred relaxant
- Use the packaging carton as a working surface to prevent product damage during assembly
- Phillips head screwdriver
- Drill
- 1/4" Drill Bit (non-drywall anchoring)
- 5/16" Drill Bit (drywall anchoring)

Weight Limitation

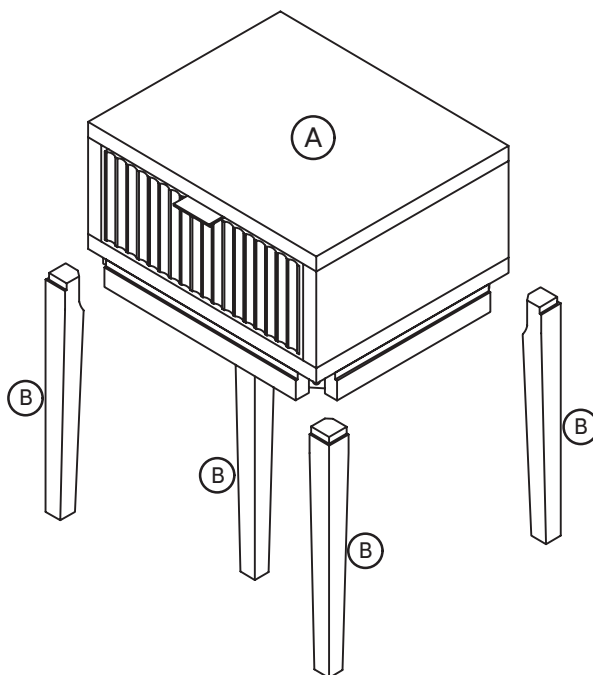


100
lbs

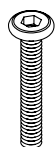
What's included

	Description	Qty
A	Drawer Cabinet Sub-assembly	1
B	Leg	4
1	1/4" x 2-3/16" Hex Button Head Bolt	8
2	1/4" x 3/8" Spring Washer	8
3	1/4" x 3/4" Flat Washer	8
4	Allen Key	1
5	Handle	1
6	M3.5*15MM Screw	2
7	Plastic Nail-in Foot (Extra)	4
8	Plastic Bracket (for Anti-Tip)	2
9	Non-drywall Wall Anchor (for Anti-Tip)	2
10	M3.5*15MM Screw (for Anti-Tip)	2
11	Plastic Tether (for Anti-Tip)	1
12	M4*50MM Screw (for Anti-Tip)	2
13	Drywall Wall Anchor (for Anti-Tip)	2

The goods



1



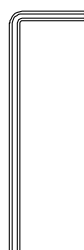
2



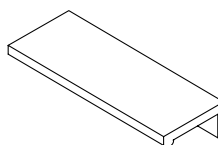
3



4



5



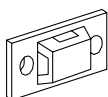
6



7



8



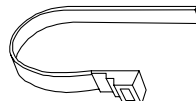
9



10



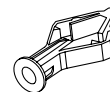
11



12



13

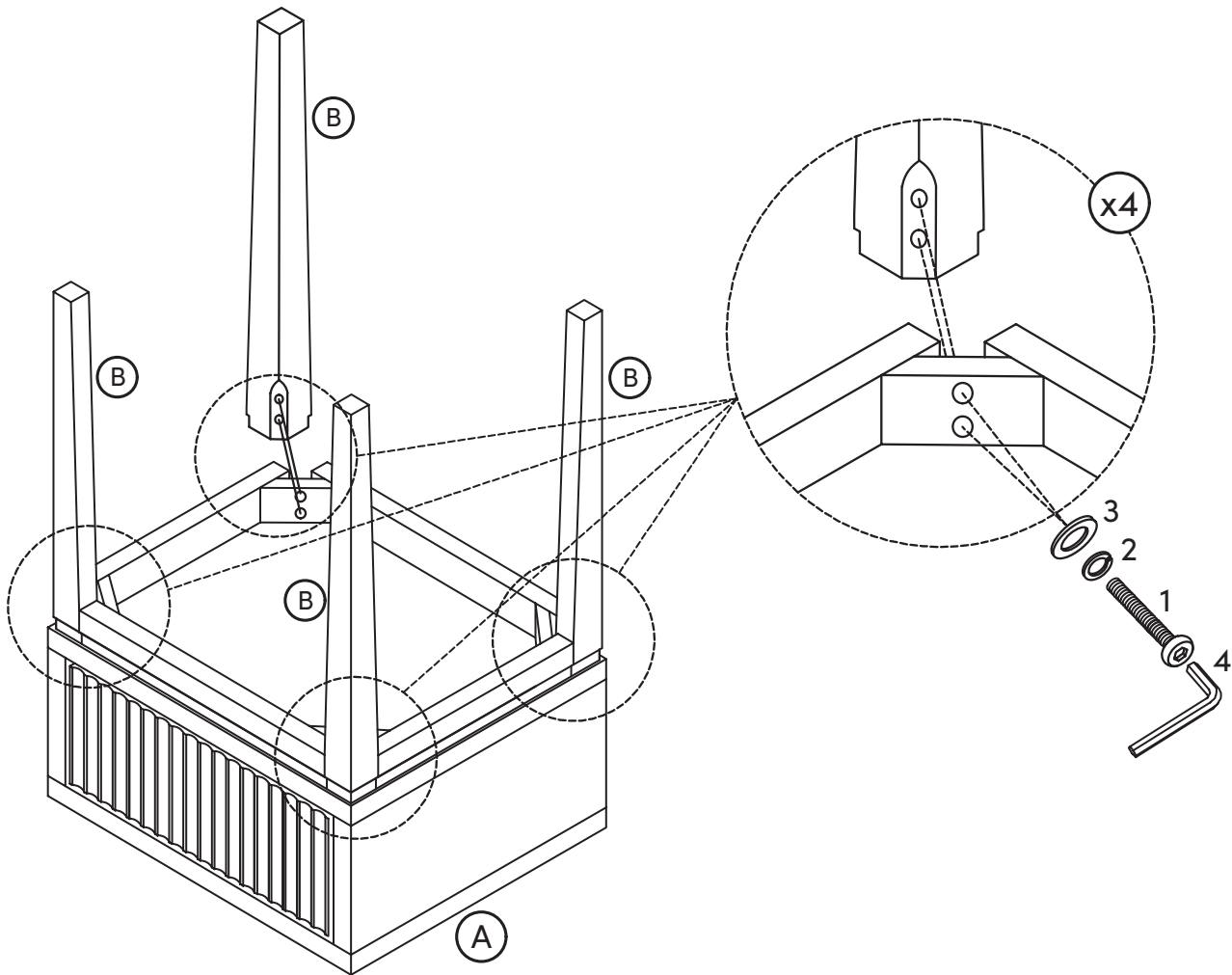


IMPORTANT

1. Do not tighten bolts / screws completely until all bolts / screws are lined up and inserted into holes.
2. Do not over tighten screws and bolts to avoid stripping.
3. Please use hand tools to assemble this product.

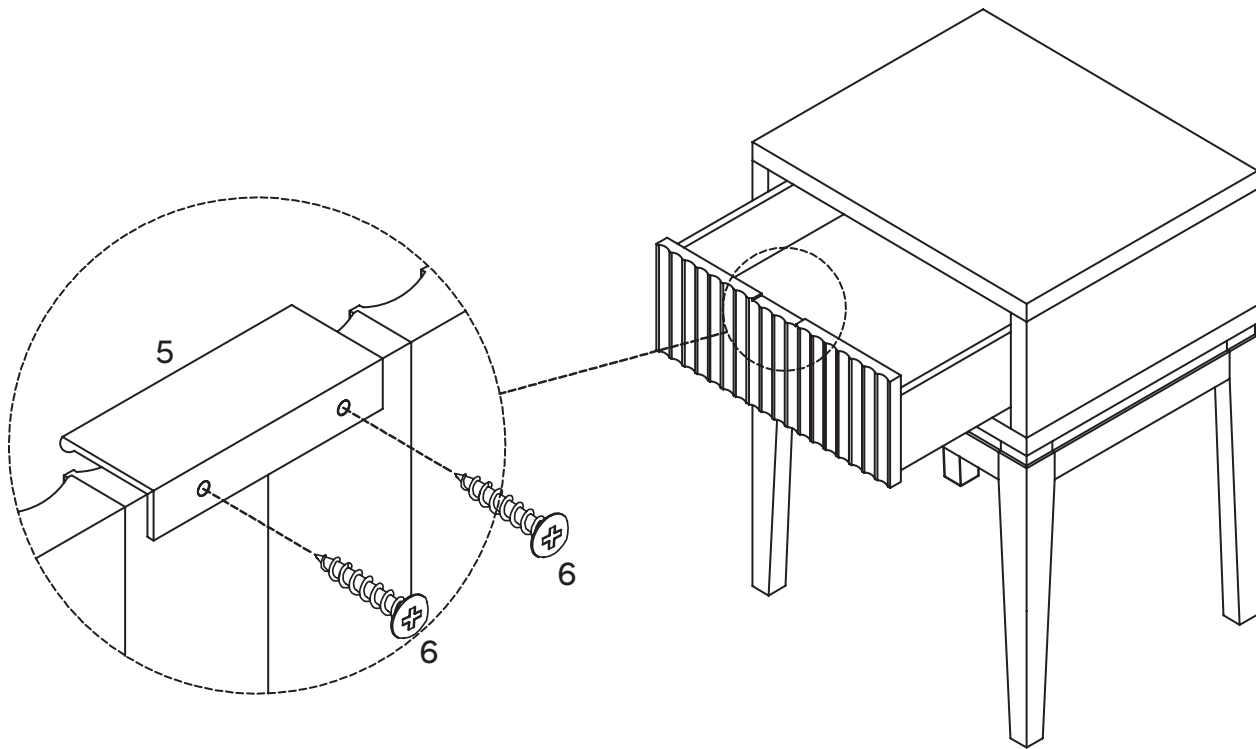
Step 1

It's as easy as it looks! Secure the Legs (B) on all four corners of the Drawer Cabinet (A) by tightening the 1/4" x 2-3/16" Hex Button Head Bolt (1), 1/4" x 3/8" Spring Washer (2), and 1/4" x 3/4" Flat Washer (3) using the provided Allen Key (4).



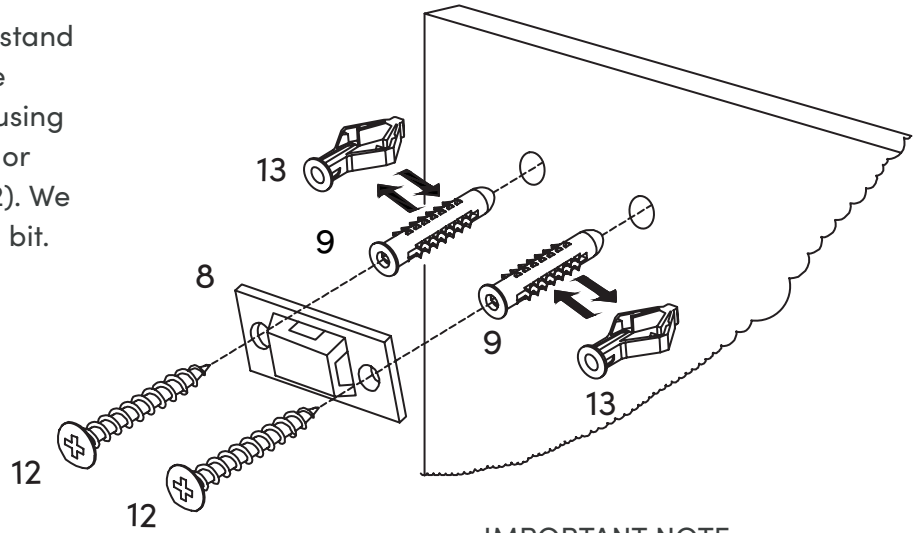
Step 2

Secure the Handle (5)
to the drawer using two
M3.5*15MM Screws (6).



Step 3

Safety first! Let's get this nightstand secured to the wall. Mount the Plastic Bracket (8) to the wall using the provided Wall Anchors (9) or (13) and M4*50MM Screws (12). We recommend using a 5/16" drill bit.

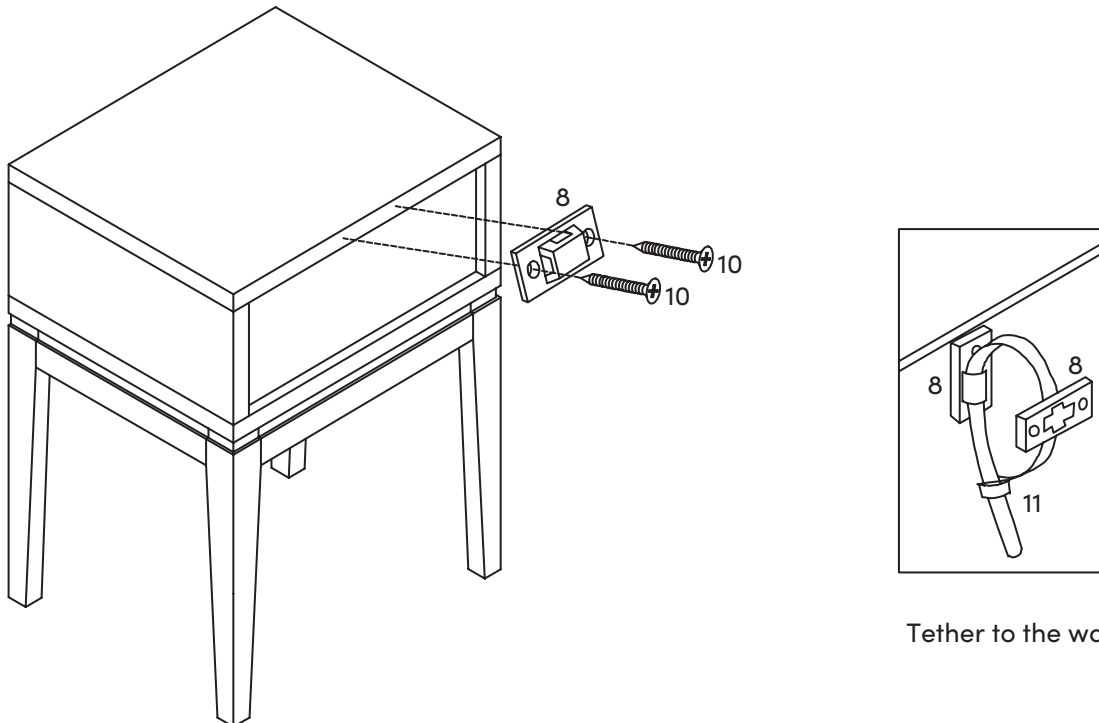


IMPORTANT NOTE:

Non-Drywall Anchor (9) requires 1/4" Drill Bit
Drywall Anchor (13) requires 5/16" Drill Bit

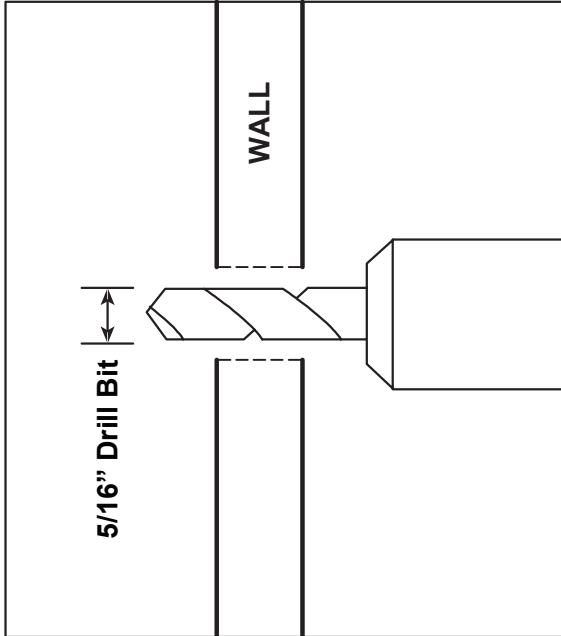
Step 4

Secure the other Plastic Bracket (8) to the back of the nightstand using the M3.5*15MM Screws (10) and then secure the nightstand to the wall by looping the Plastic Tether (11) through both brackets.

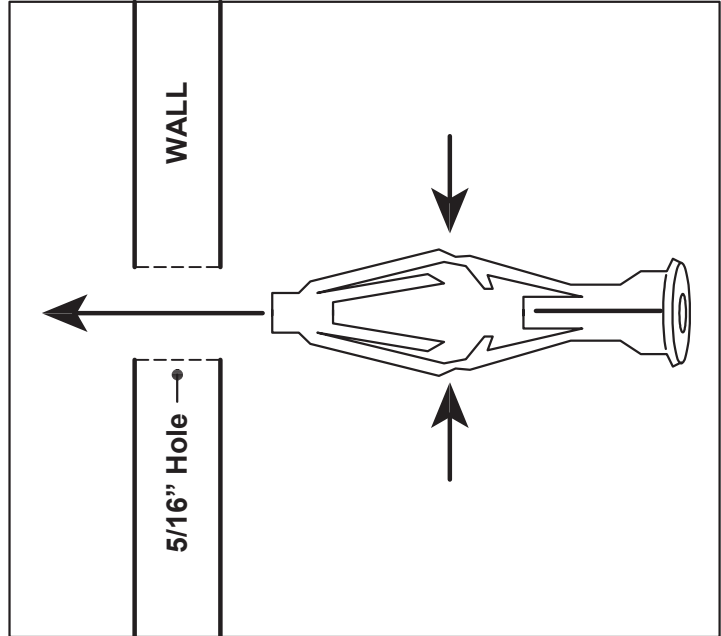


Tether to the wall.

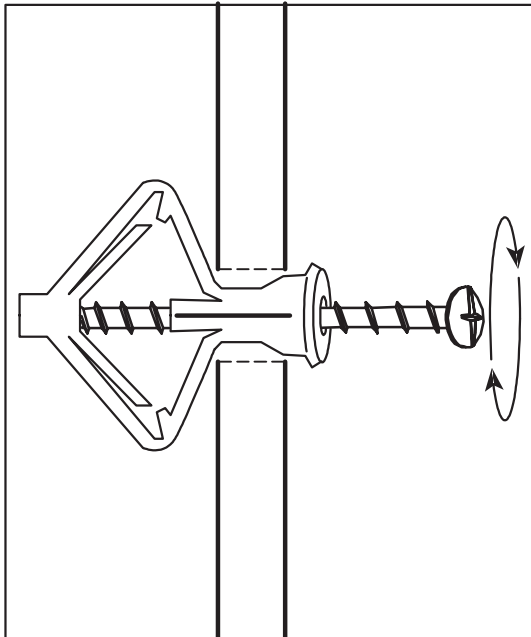
How to use Drywall Anchors



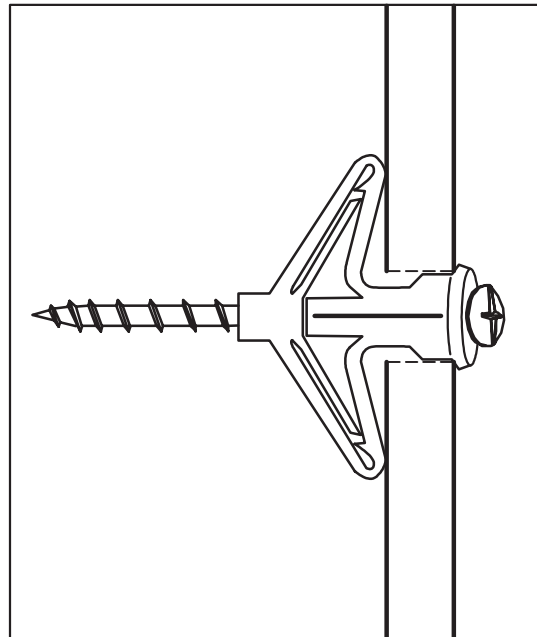
1. Drill hole with 5/16" bit.



2. Pinch and insert.



3. Begin tightening.



4. Anchor is secure when screw is tightened to 100%

No heartburn, when we handle the return

Give us a call or shoot us a message
we will issue you a free
replacement with **zero hassle**.

Our way



Give us a call



Replacement



You

Their way



Re-package item



Schedule pick up



Track package



Replacement



You

We really don't want you to go through the hassle of re-packaging your item
and sending it back, because let's be honest...nobody has time for that.

Safety first, fun later

We want your product to last as long as possible, so we recommend that you tighten the screws 2 weeks after assembly and for added safety check the tightness of all screws every 2 months.

For proper care and treatment, please check our website.

Safe use of this product starts with you.

Use this product responsibly with the primary concern for your safety. Follow assembly instructions carefully and inspect product upon receipt and each use.

Nathan James and its parent companies cannot be held legally responsible for any injuries or death resulted from failure to follow instructions or improper use of this product.

Do not modify the structure of this product in any way.

Our products have been tested to meet specific safety measures as they were originally intended to be sold. Any modifications will present the risk of creating significant safety issues which NJ will not be responsible for.

Proper use

- DO NOT** use for commercial purposes
- DO NOT** frolic on nightstand
- DO NOT** use nightstand as foot stool
- DO NOT** leave spilled liquid on nightstand
- DO NOT** use nightstand if damaged
- DO NOT** make temporary repairs
- DO NOT** use outdoors

We are only in business if you're happy

For starters, thanks for being you.

We do our best to ensure your furniture arrives without any problems, but occasionally mistakes happen—as humans we are imperfect beings. In the event that a part is damaged or missing, we will be more than happy to provide you with replacement part(s) for free.

Warranty

This product comes with a lifetime warranty from the date of purchase.