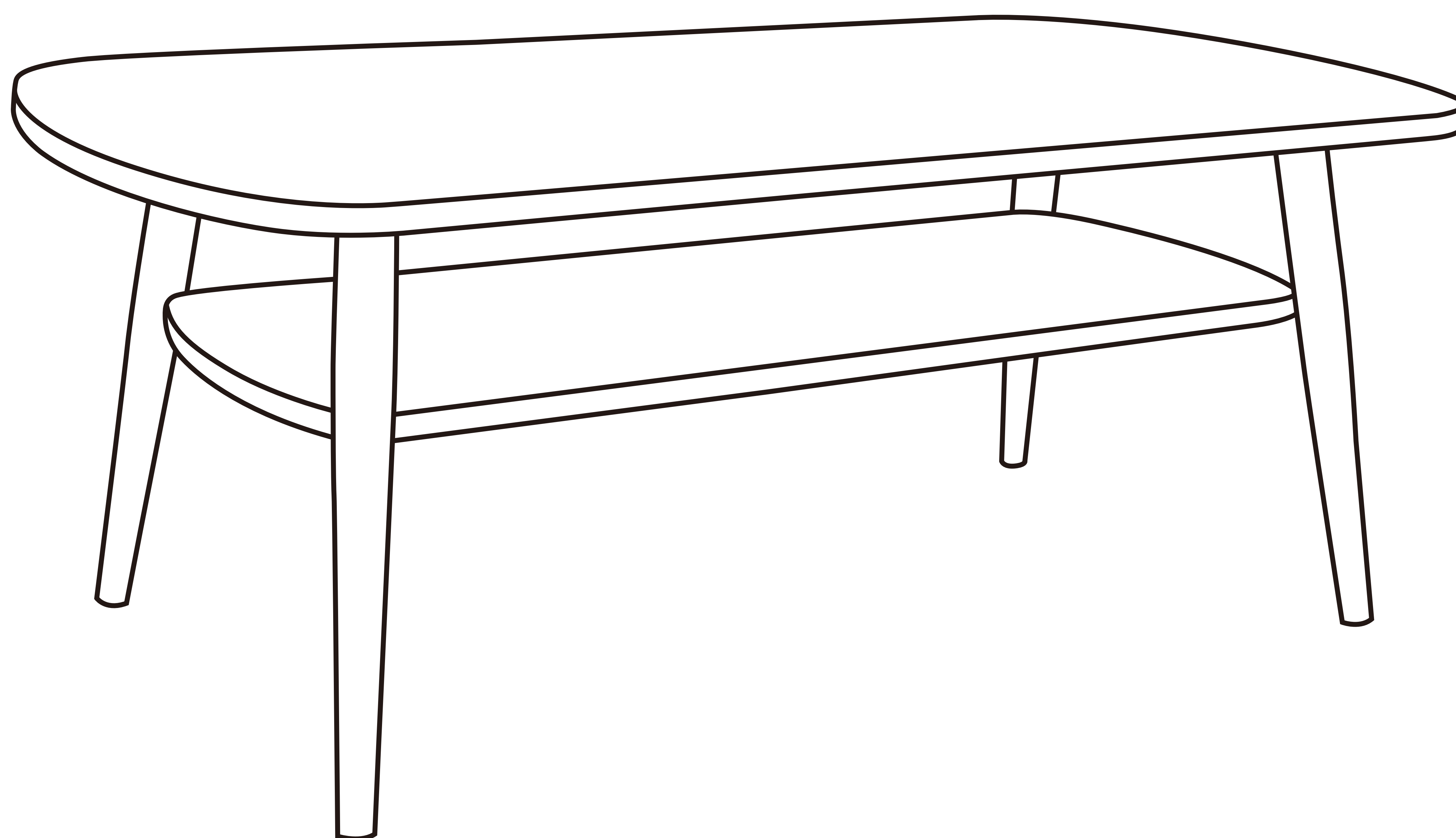


# SOOHOW

## Assembly Manual Coffee table

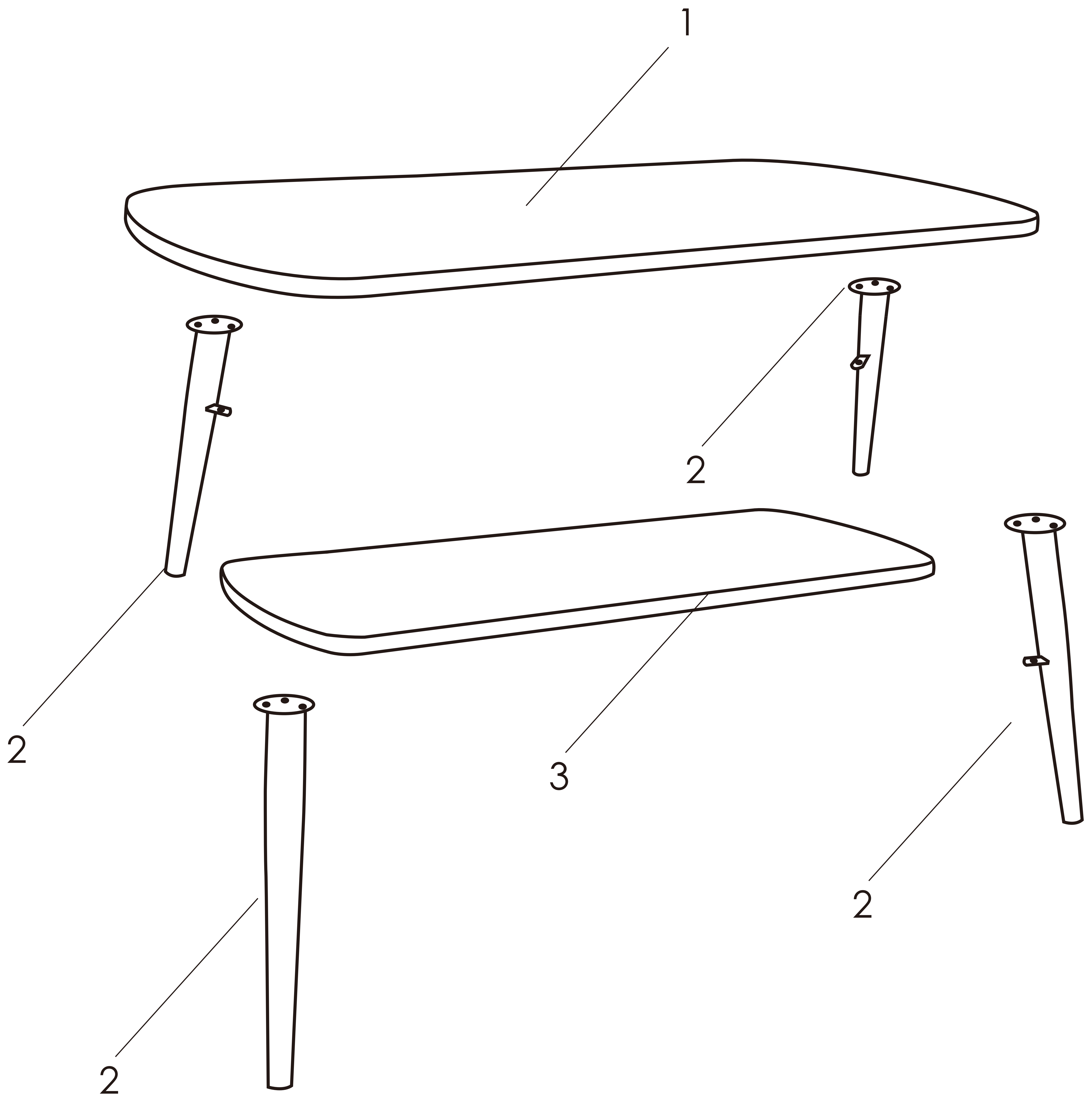
CT008



Please read this manual carefully before any operation and keep it properly for future use.

If any problems on our product, please feel free to contact us at [\*\*ecservice@isunon.com\*\*](mailto:ecservice@isunon.com).

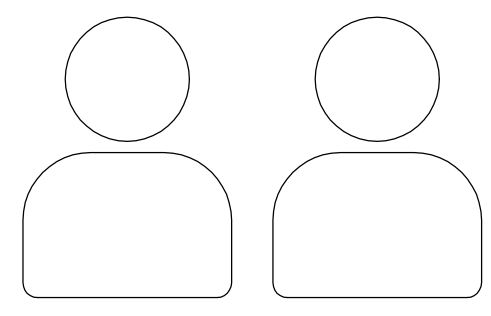
# Exploded View



# Components List

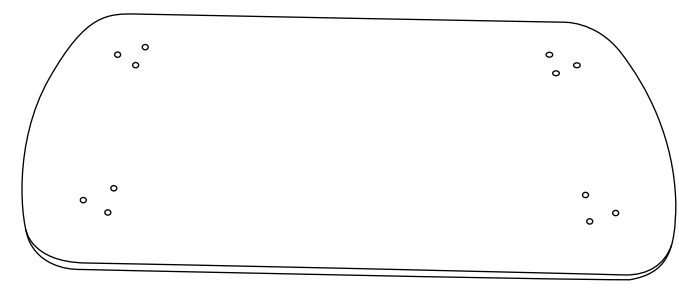
**15** min

Assembly Time



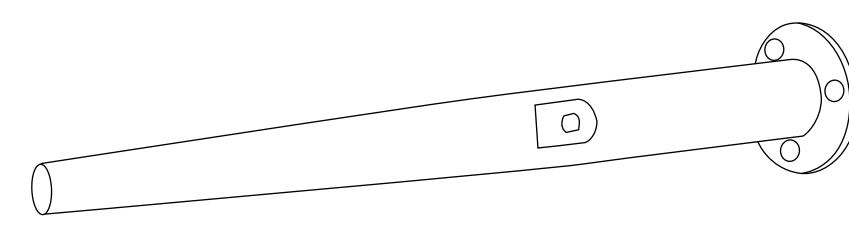
Two People

Note: The number after "+" sign indicates the extra piece(s).



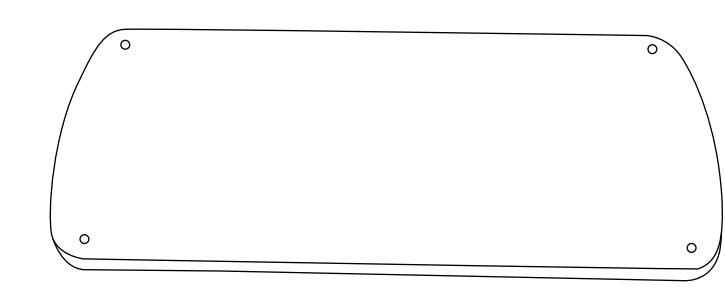
1

Top board \*1



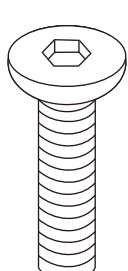

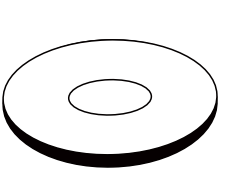
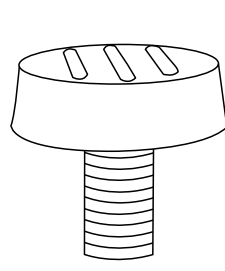
2

Metal leg\*4



3

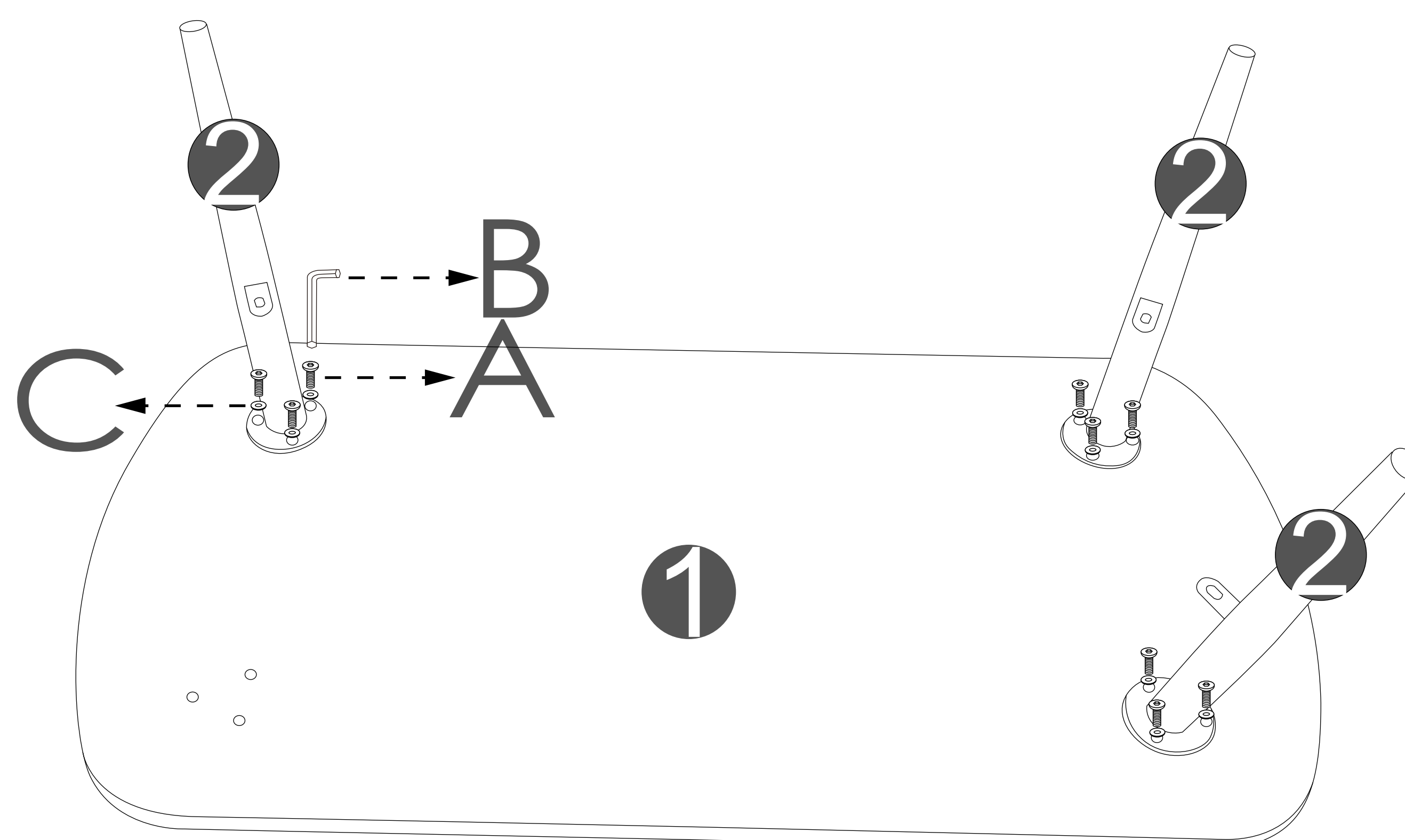
Bottom board \*1

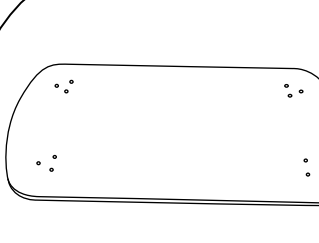
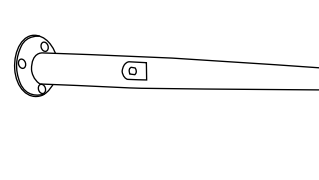
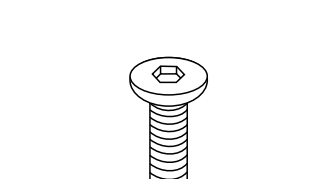
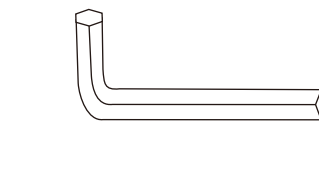
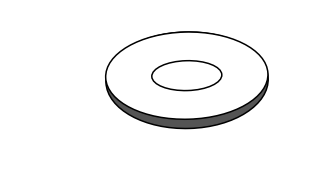
A			B			C			D		
											
Bolt	M6x16mm	16+2	Allen wrench	#4	1	Washer	M6x14x1.5	16+2	Adjustable leg		4+1

# Assembly Instruction

## STEP 1

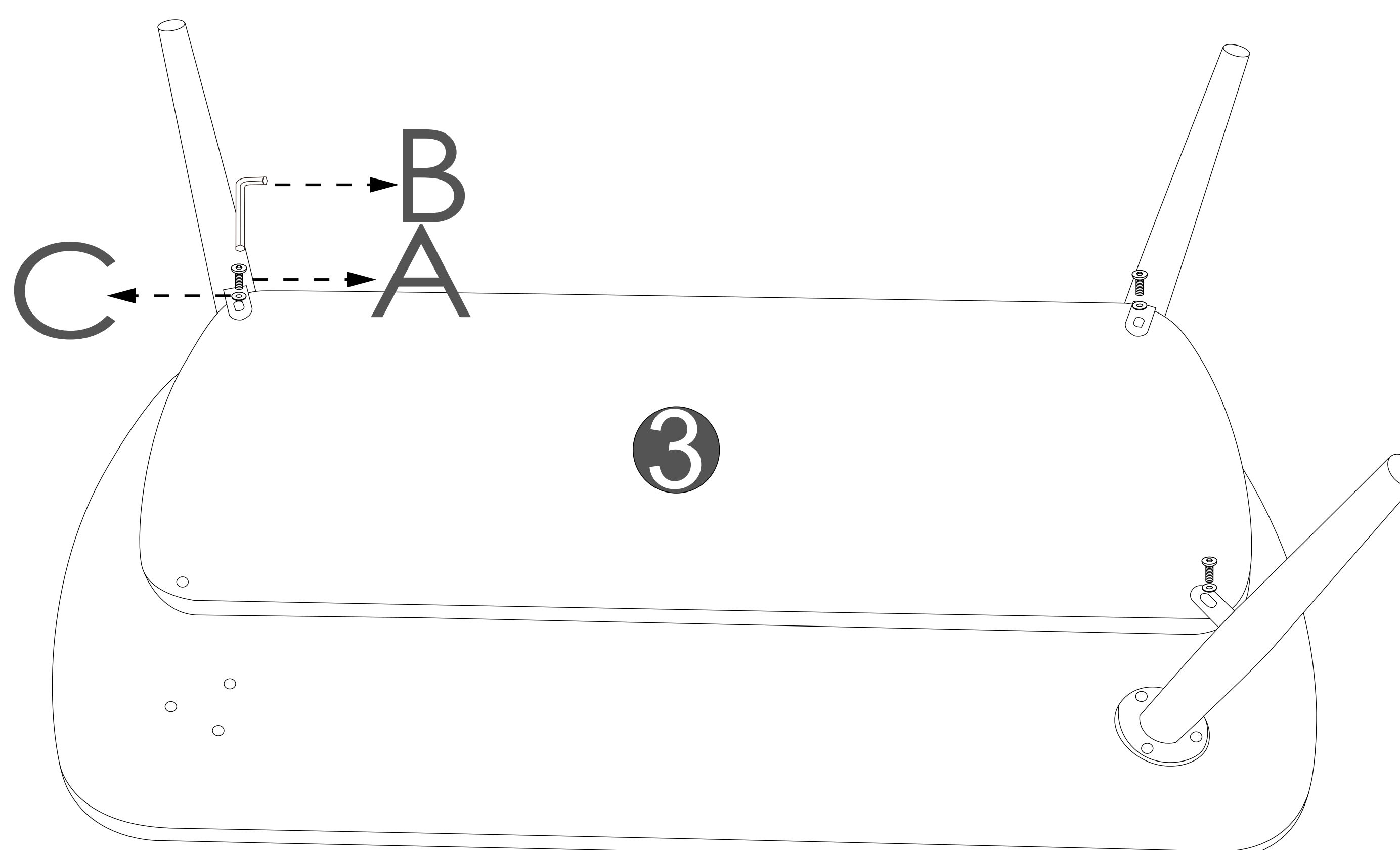
Secure the three No.2 legs to the No.1 plate using Screws A and Wrench B. Do NOT fully tighten the bolts until all of them are in the correct holes. This will allow you slight adjustments during the assembly.

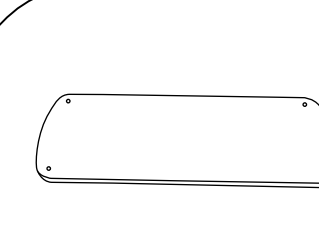
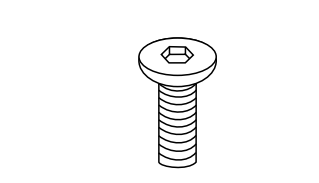
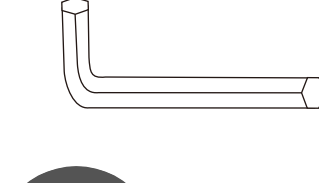
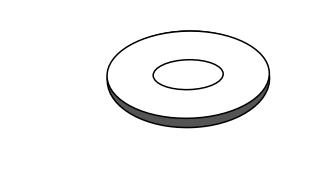


-  1\*1
-  2\*3
-  A\*9
-  B\*1
-  C\*9

## STEP 2

Fasten No.3 plate at three positions to No.2 legs using Screws A and Wrench B. Do NOT fully tighten the bolts until all of them are in the correct holes. This will allow you slight adjustments during the assembly.

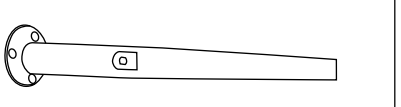
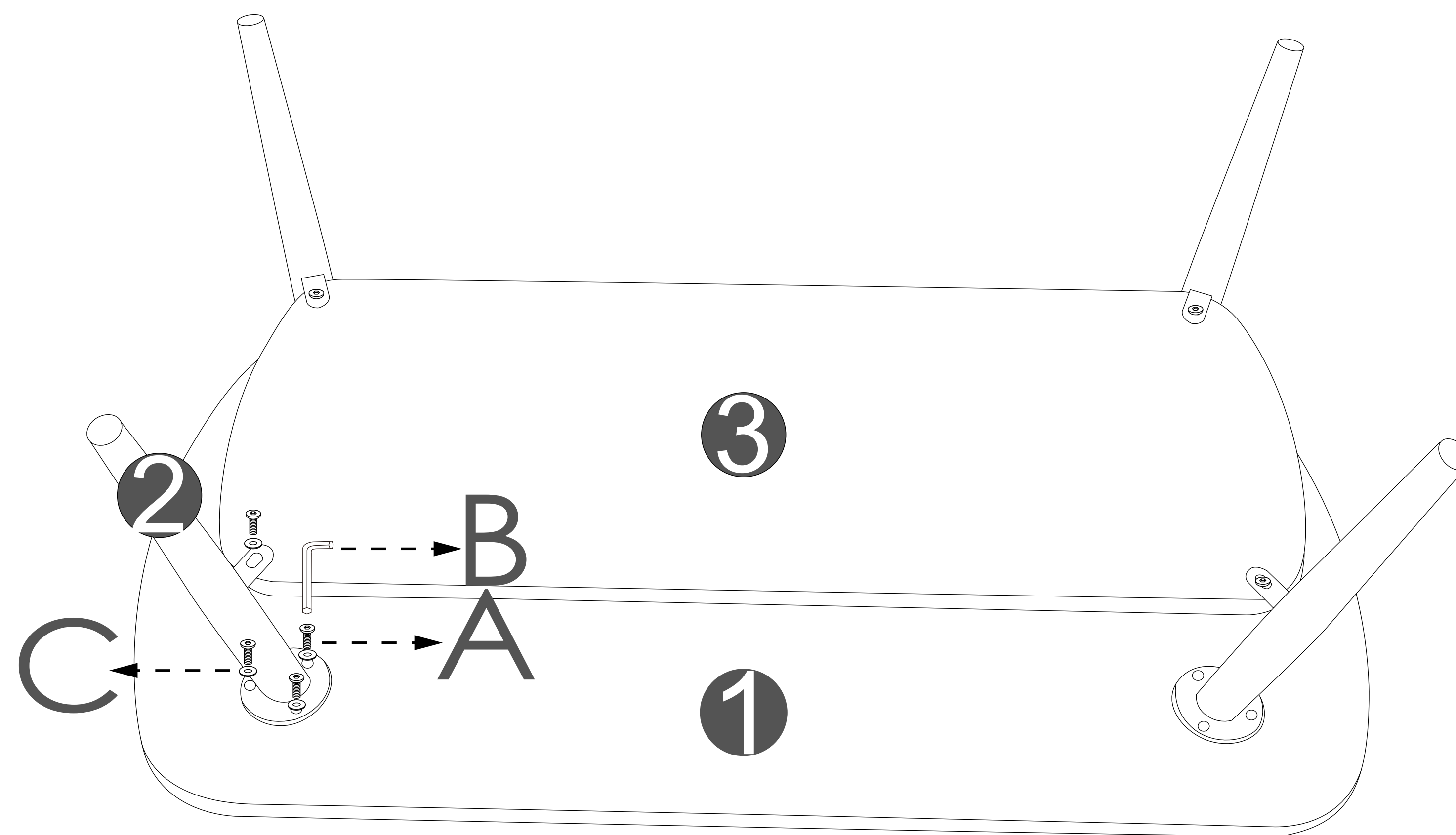


-  3\*1
-  A\*3
-  B\*1
-  C\*3

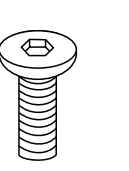
# Assembly Instruction

## STEP 3

Fasten the remaining No.2 leg to No.1 plate using Screws A and Wrench B; then secure the remaining hole of No.3 plate to the No.2 leg with Screws A. Do NOT fully tighten the bolts until all of them are in the correct holes. This will allow you slight adjustments during the assembly.



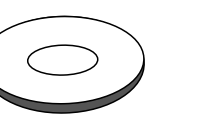
2\*1



A\*4



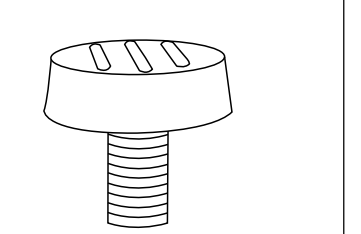
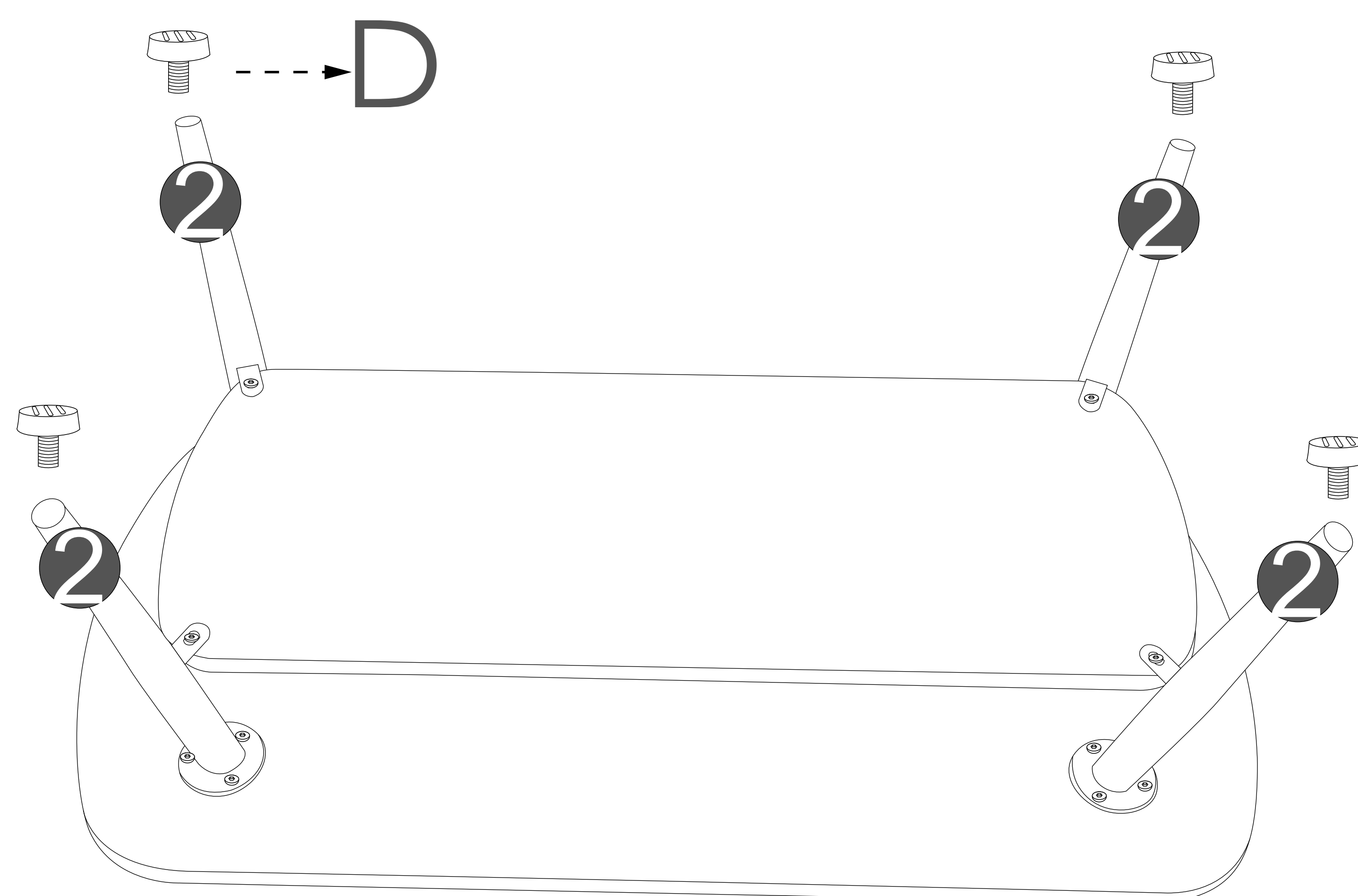
B\*1



C\*4

## STEP 4

Fasten Foot D to No.2 legs by screwing it tightly in place. If you find the product not level, please adjust by rotating the feet pads on the legs.



D\*4

# Assembly Instruction

**STEP 5**

Assembly Completed!

DONE

