

# **INSTALLATION INSTRUCTIONS**

**20x30 ft Carport**



 **VIWATCustomerService@gmail.com**

**Our team is available 24/7 to help with any product questions. Contact us anytime!**

## REQUIRED TOOLS

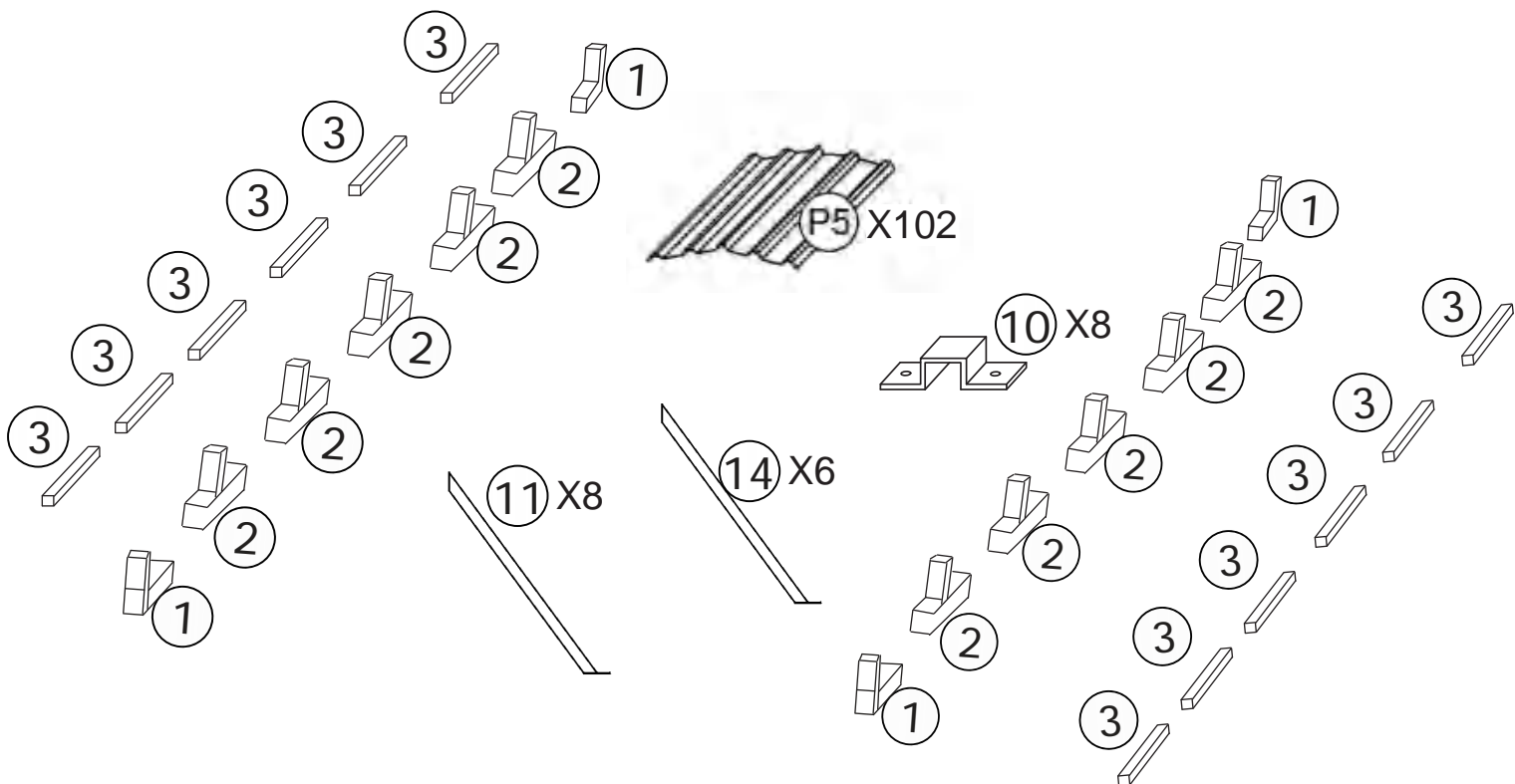
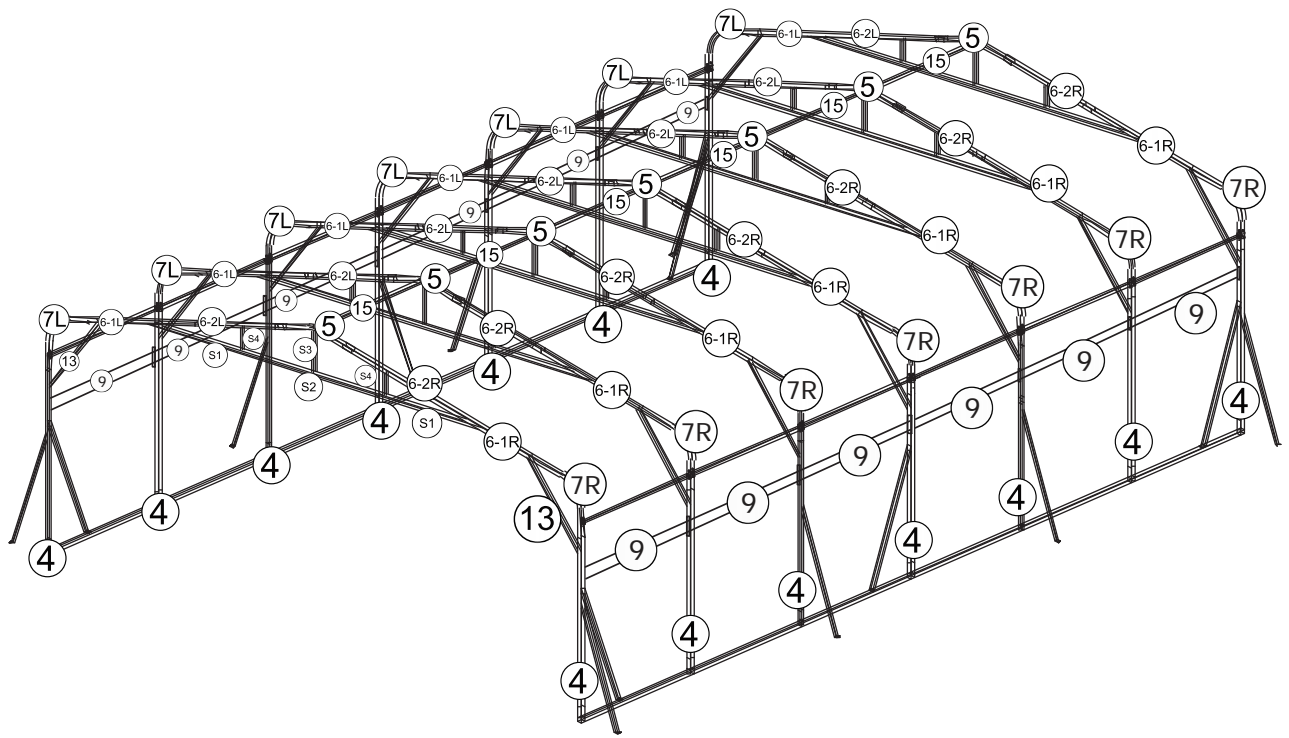
<b>Tools</b>			
	Gloves	Table	Ladder
			
	Power drill	Screw drive	Tape Measure

## ASSEMBLY TIPS

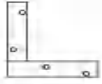





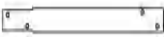






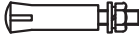



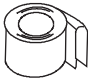



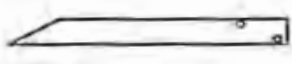
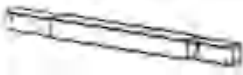

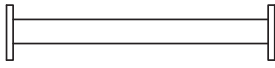

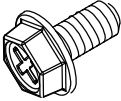

1. Clear a working area to allow access on all four sides. A raised work surface will make assembly easier. It is easier to install the wall panel on the table.
2. All parts are identified, so when working through the instructions page by page, the diagrams show where each part is positioned.
3. Before starting, to avoid any accidental injury, we recommend the use of gloves to protect your hands.
4. Please keep children away from your construction site.
5. Most assembly can be completed by one person, but assistance may be needed when you reach the erection stage.
6. Please note: Some local government authorities have rules & regulations on shed installation, and you may need approval to erect this shed.

## ASSEMBLY STEPS



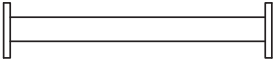
1. Unpack all components from the carton and lay them out beside your work area. Check parts against the parts list.
2. Work through the assembly instructions page by page.
3. Once assembly is completed, place the shed in position and fix the anchor to the ground.
4. Clean up all metal pieces and screws.



# Hardware List

IMAGE	NO.	QTY	IMAGE	NO.	QTY
	1	X4		10	X8
	2	X10		11	X8
	3	X12		P5	X102
	4	X14		F3	X889
	5	X7		F4	X1
	6-1L	X7		F11	X4
	6-1R	X7		F8	X24
	7L	X7		F9	X2
	7R	X7		F5	X2
	6-2L	X7		adhesive tape	X2
	6-2R	X7		S1	X14
	S2	X7		S3	X7
	9	X12		S4	X14
	F10	X98		F12	X28

# Hardware List

IMAGE	NO.	QTY	IMAGE	NO.	QTY
	13	X14		14	X6
	15	X6			

# STEP 1

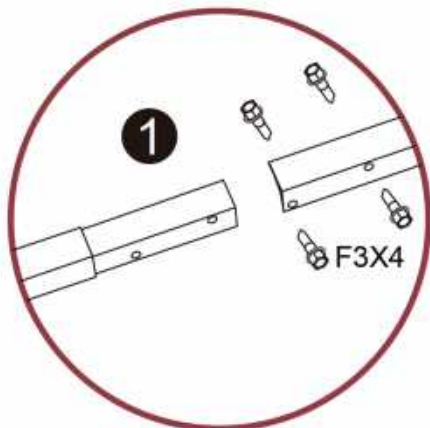
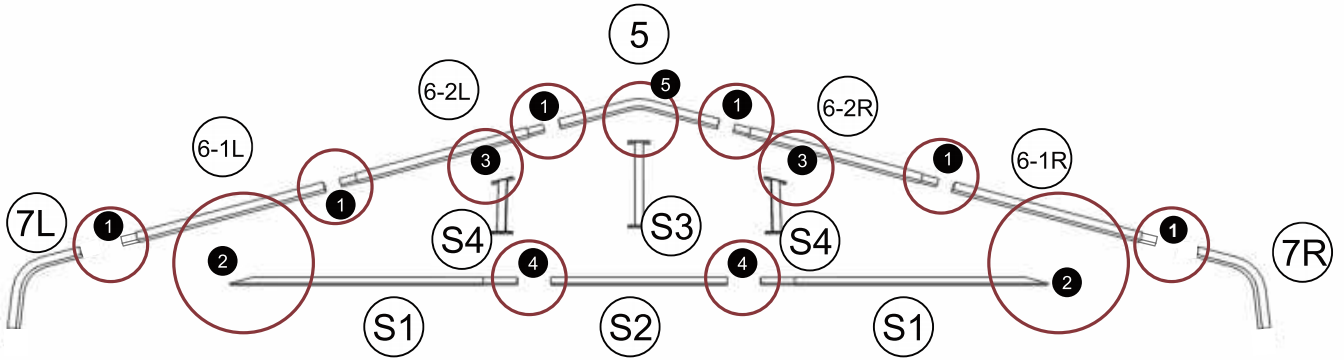
Note:6-1L and 6-1R hole orientations, connected to the S1 part;

Note:6-2L and 6-2R hole orientations, connected to the S4 part;

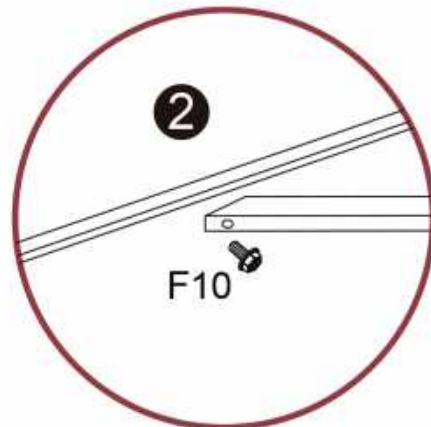
Note:5 hole orientations, connected to the S3 part;

Note: There are two hole positions on the bottom of both 7L and 7R for connecting Part 9. Do not install them in the reverse direction.

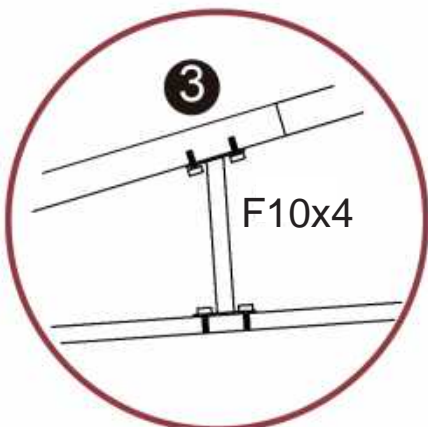
# X7



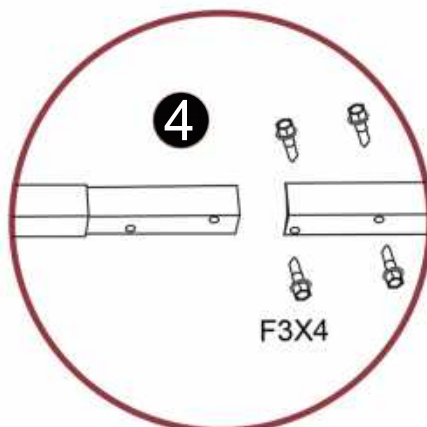
X6



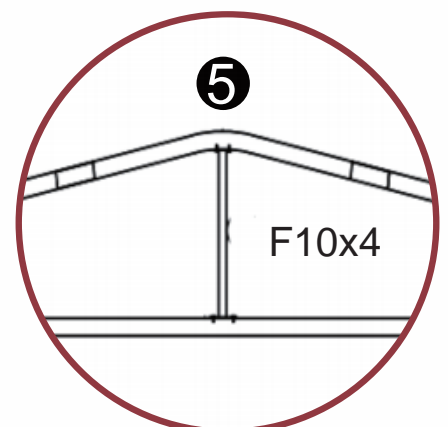
X2



X2



X2



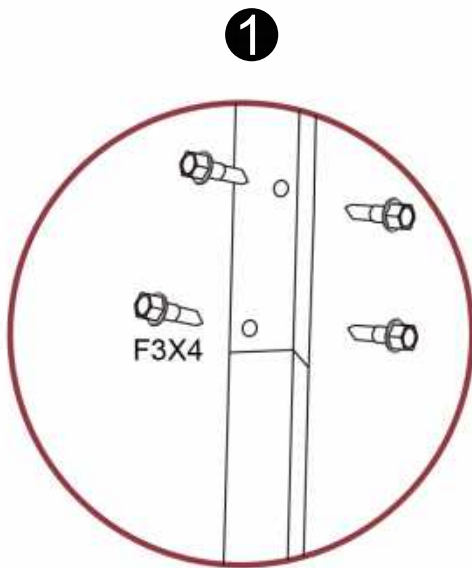
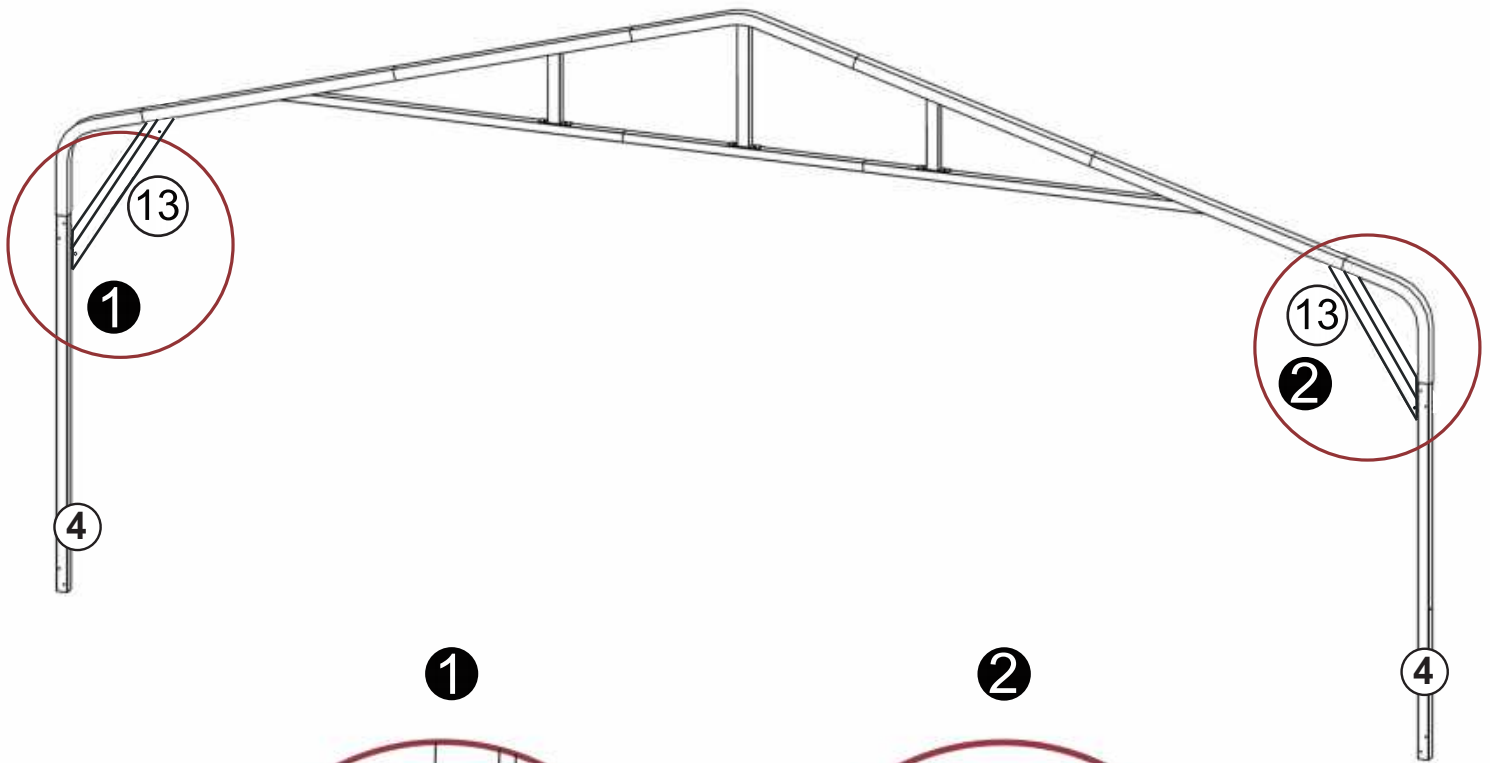
X1

F10		x98	F3		x224
-----	---	-----	----	---	------

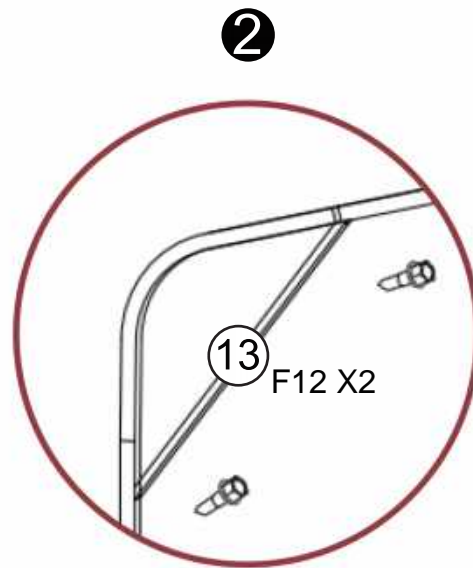
# STEP 2

# X7


Note: No. 4 column rod with hole position facing inward




X2

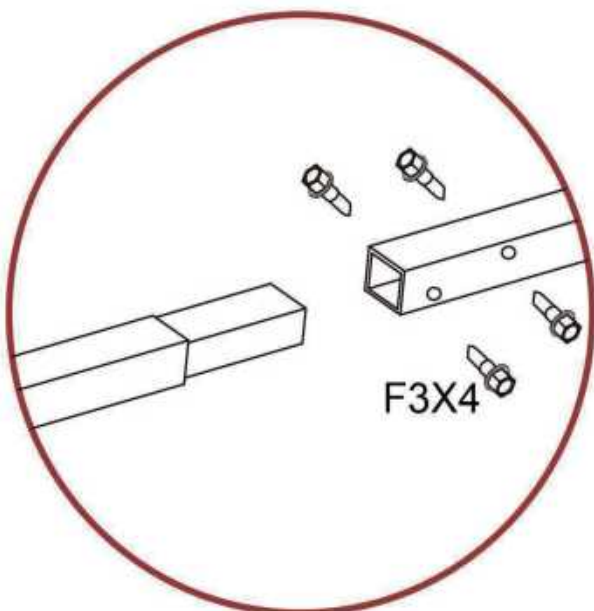
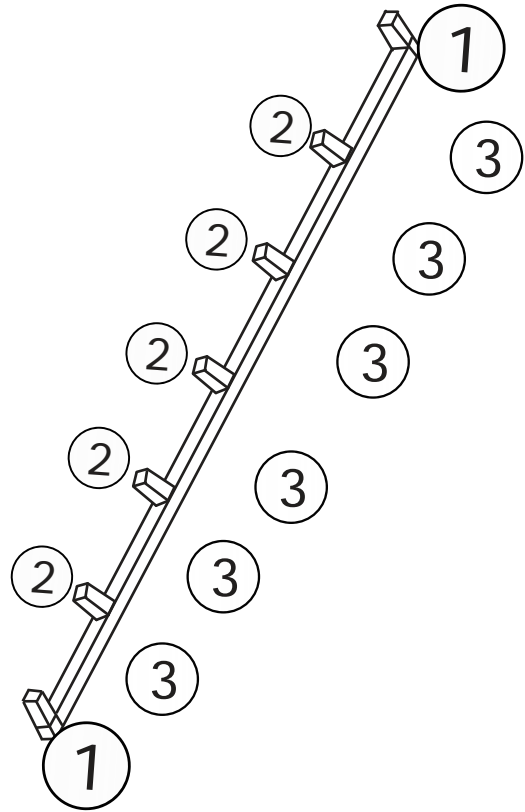
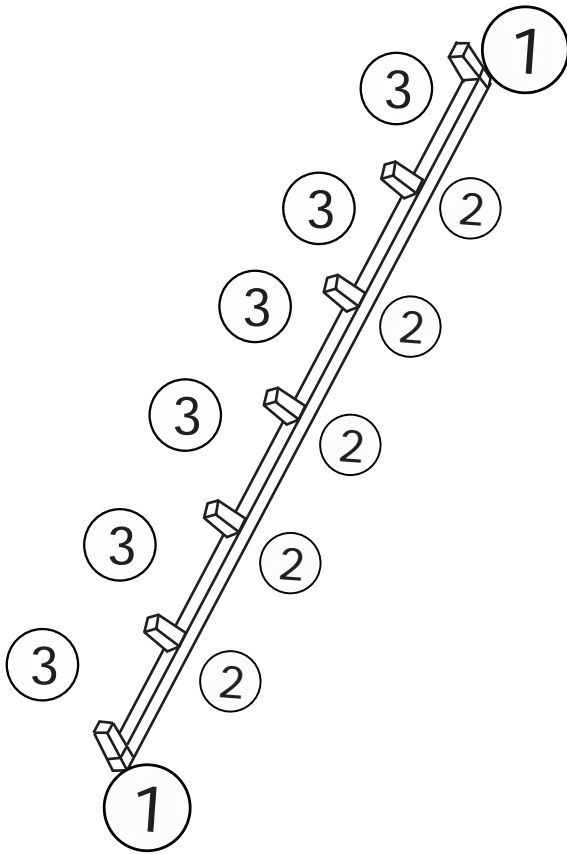


X2

F12		X28
-----	---	-----

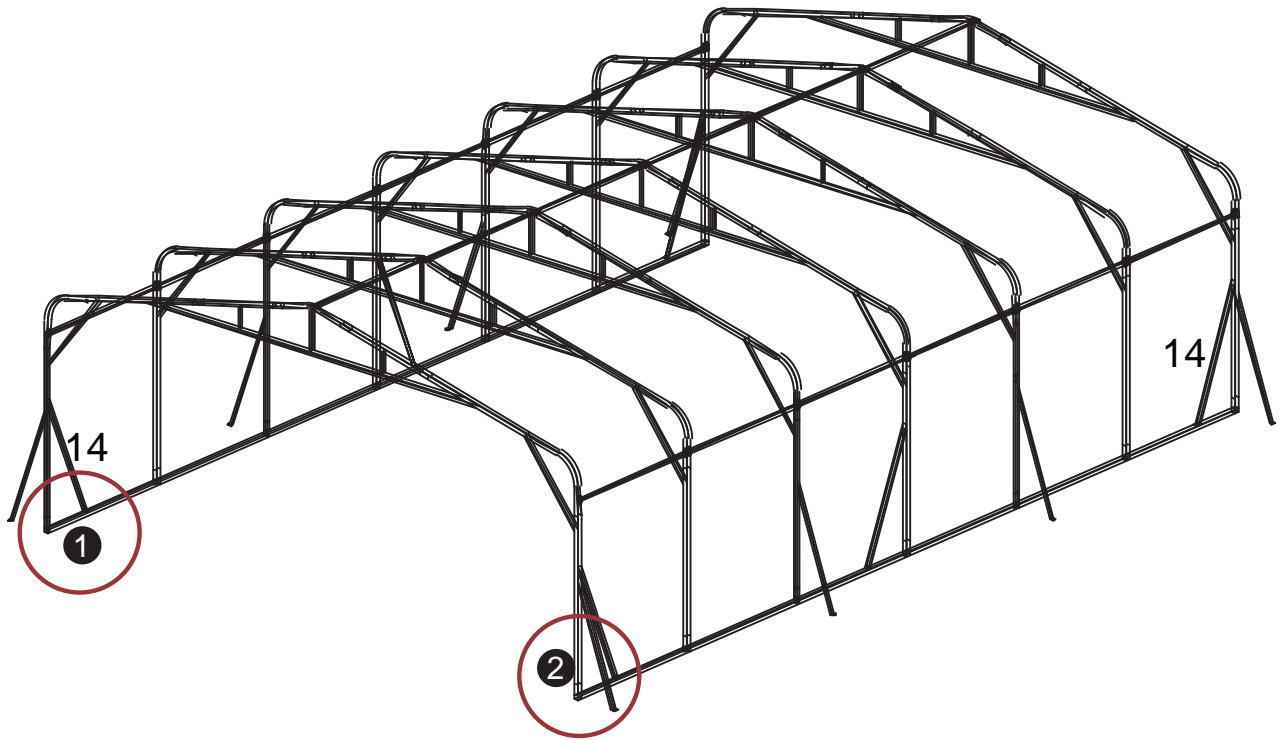
F3		X56
----	---	-----

# STEP 3

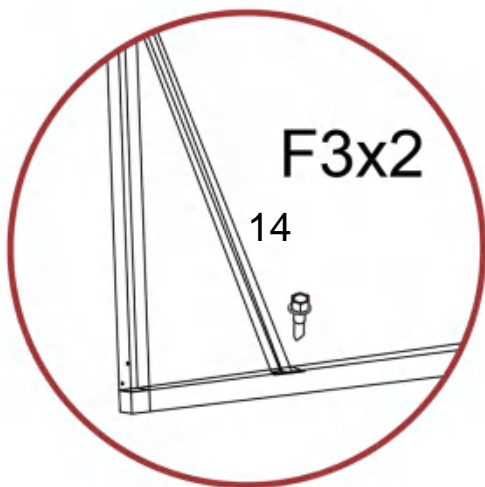


X24

# STEP 4

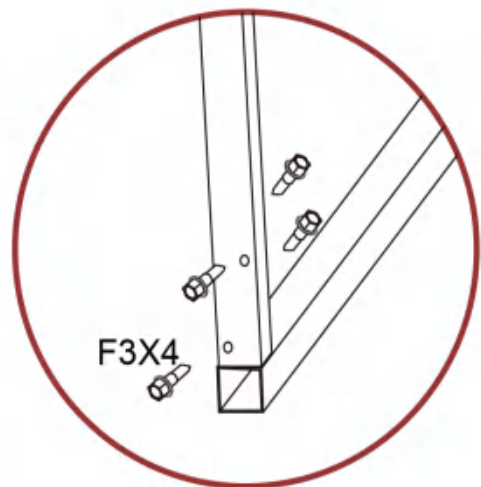


1



X6

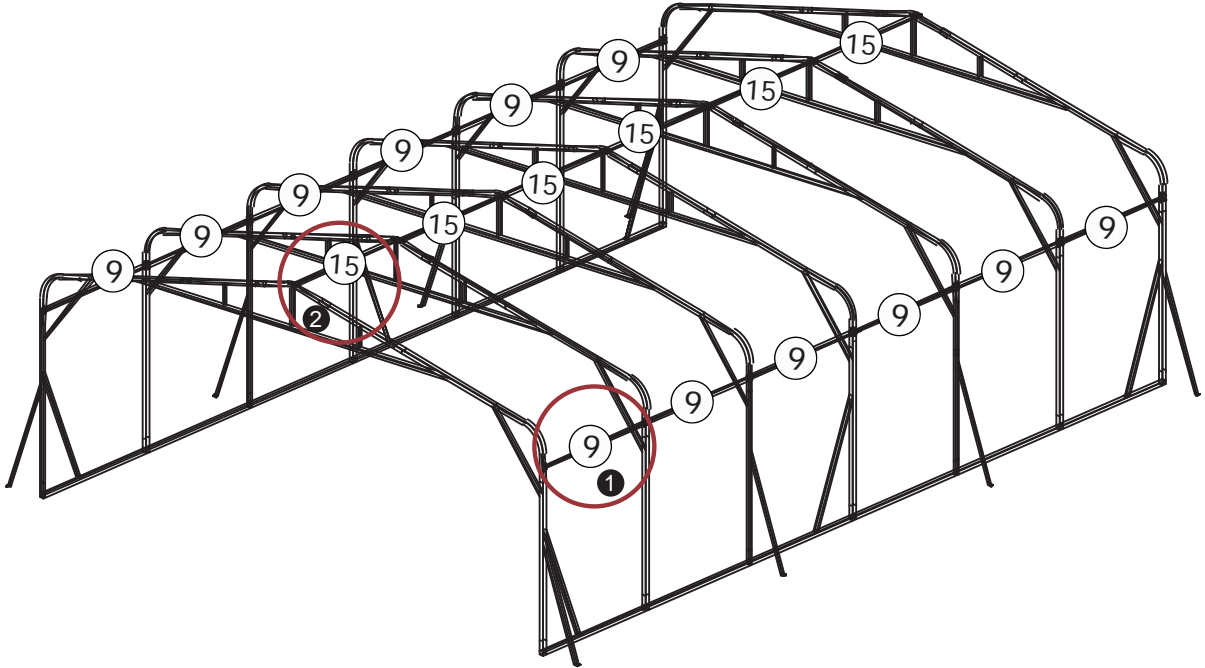
2



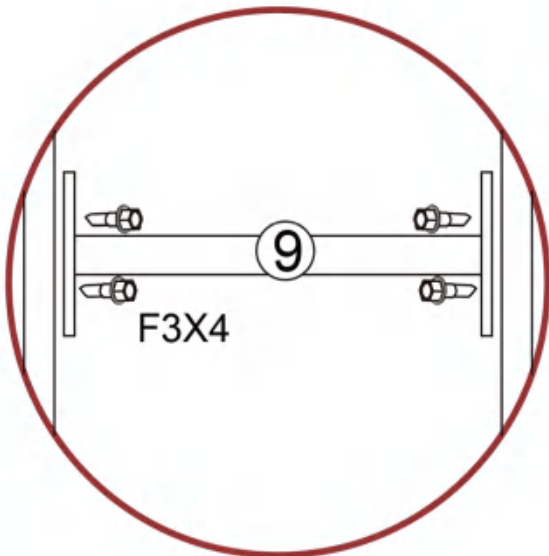
X14

F3		x68
----	---	-----

# STEP 5

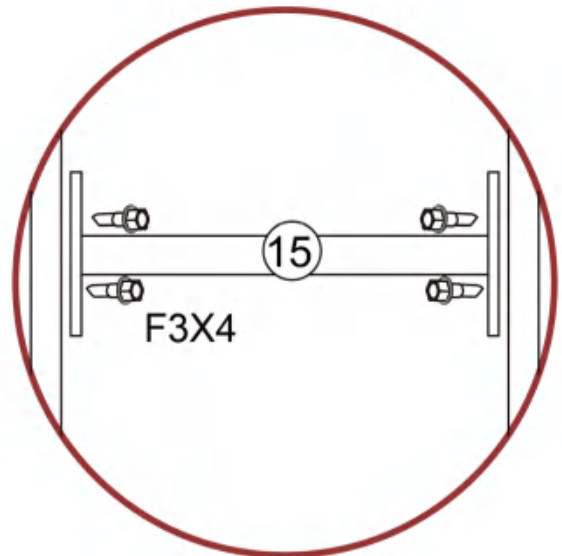


1



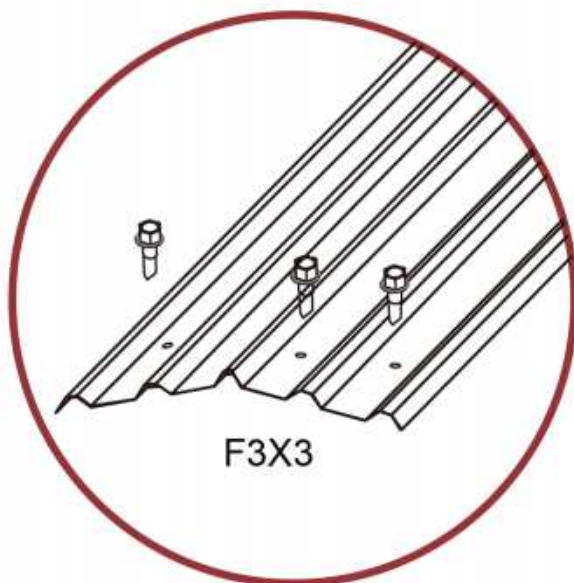
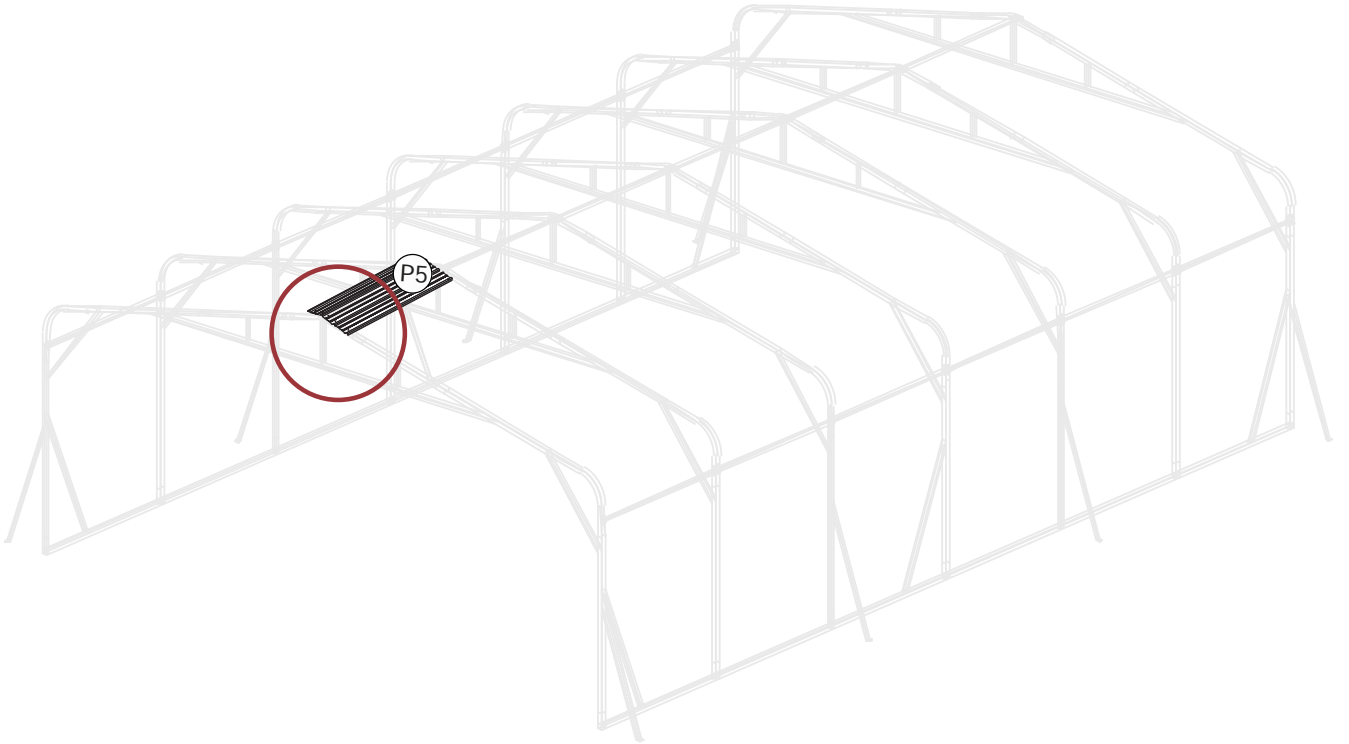
X12

2



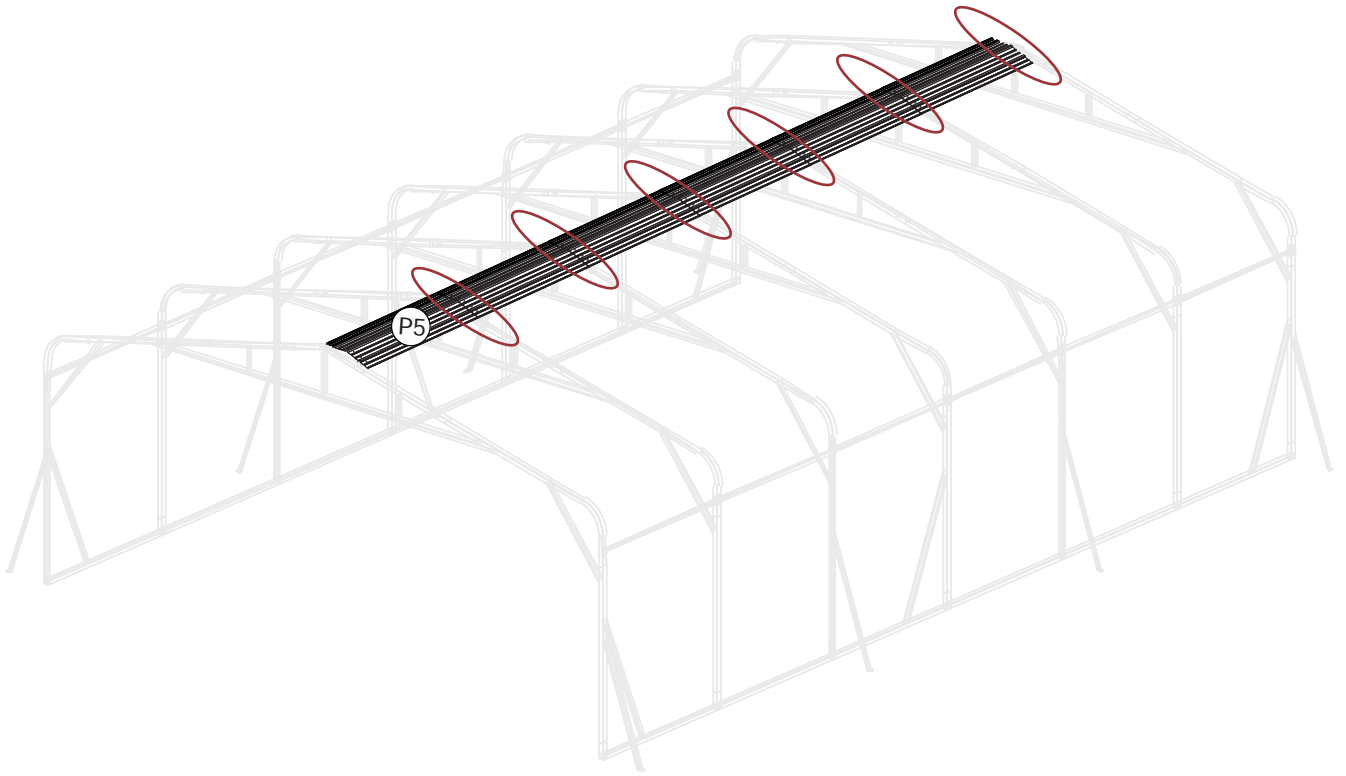
X6

# STEP 6

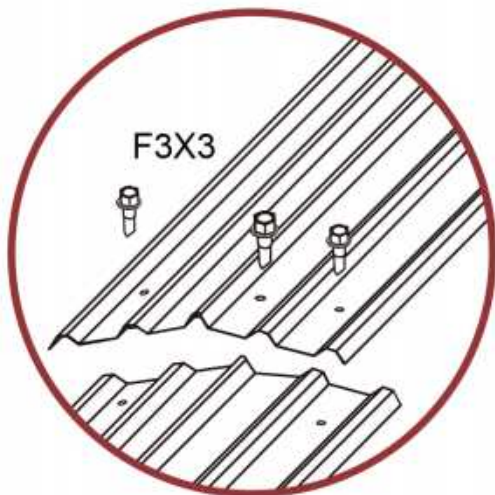


F3		X3
----	---	----


# STEP 7



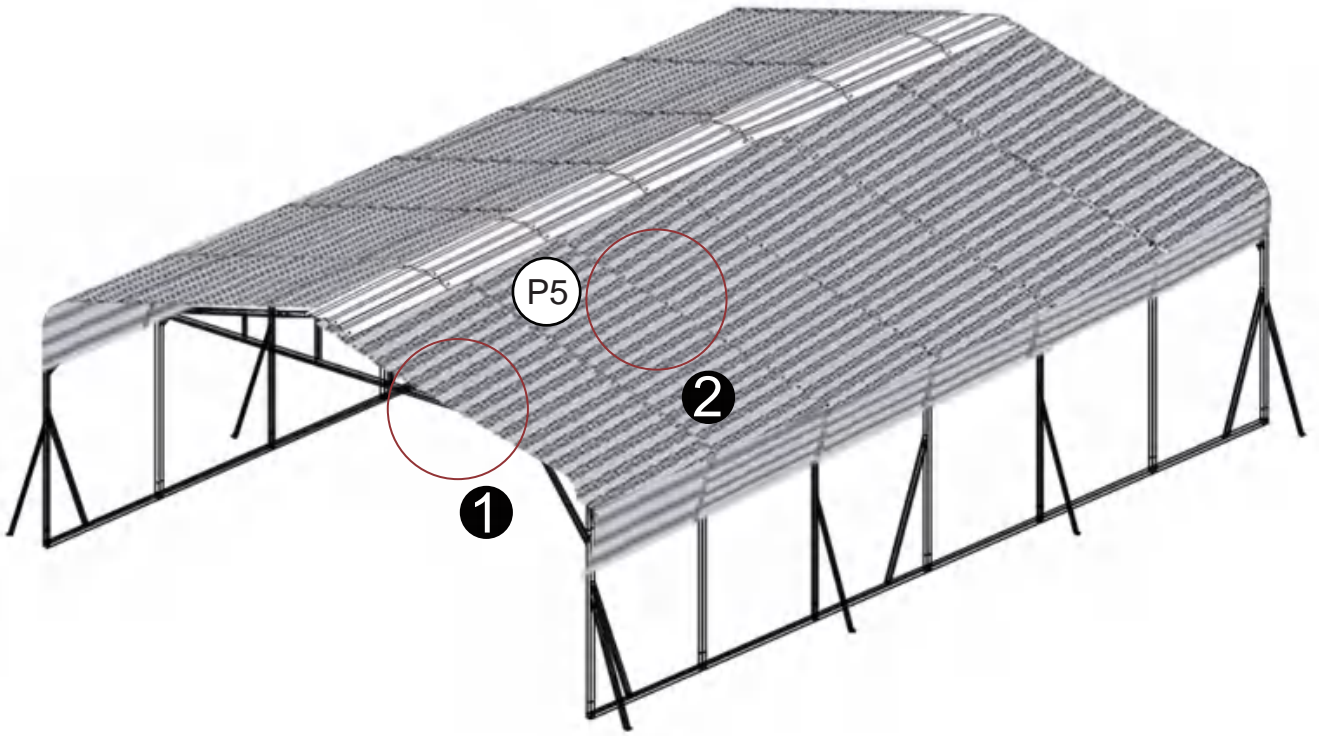
Apply a layer of waterproof tape to the outside of the seams of the two layers of tin, which can effectively prevent leakage of the carport



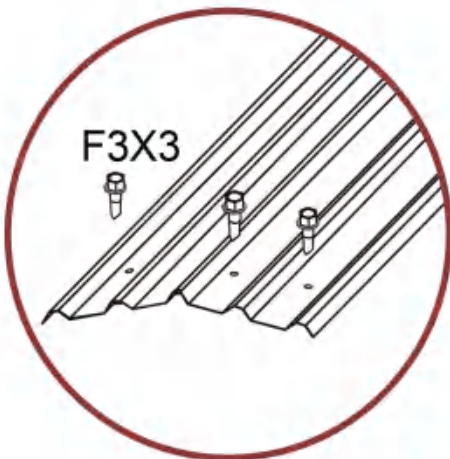
X6

F3		x18
----	---	-----

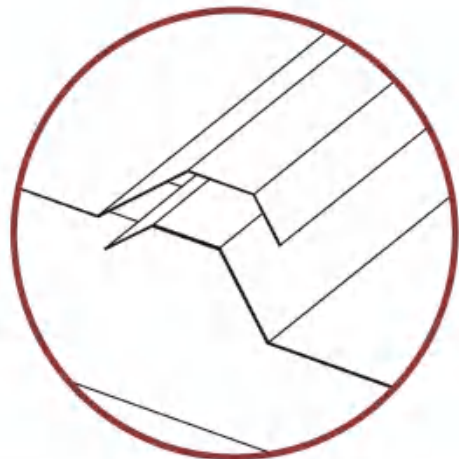
# STEP 8




1



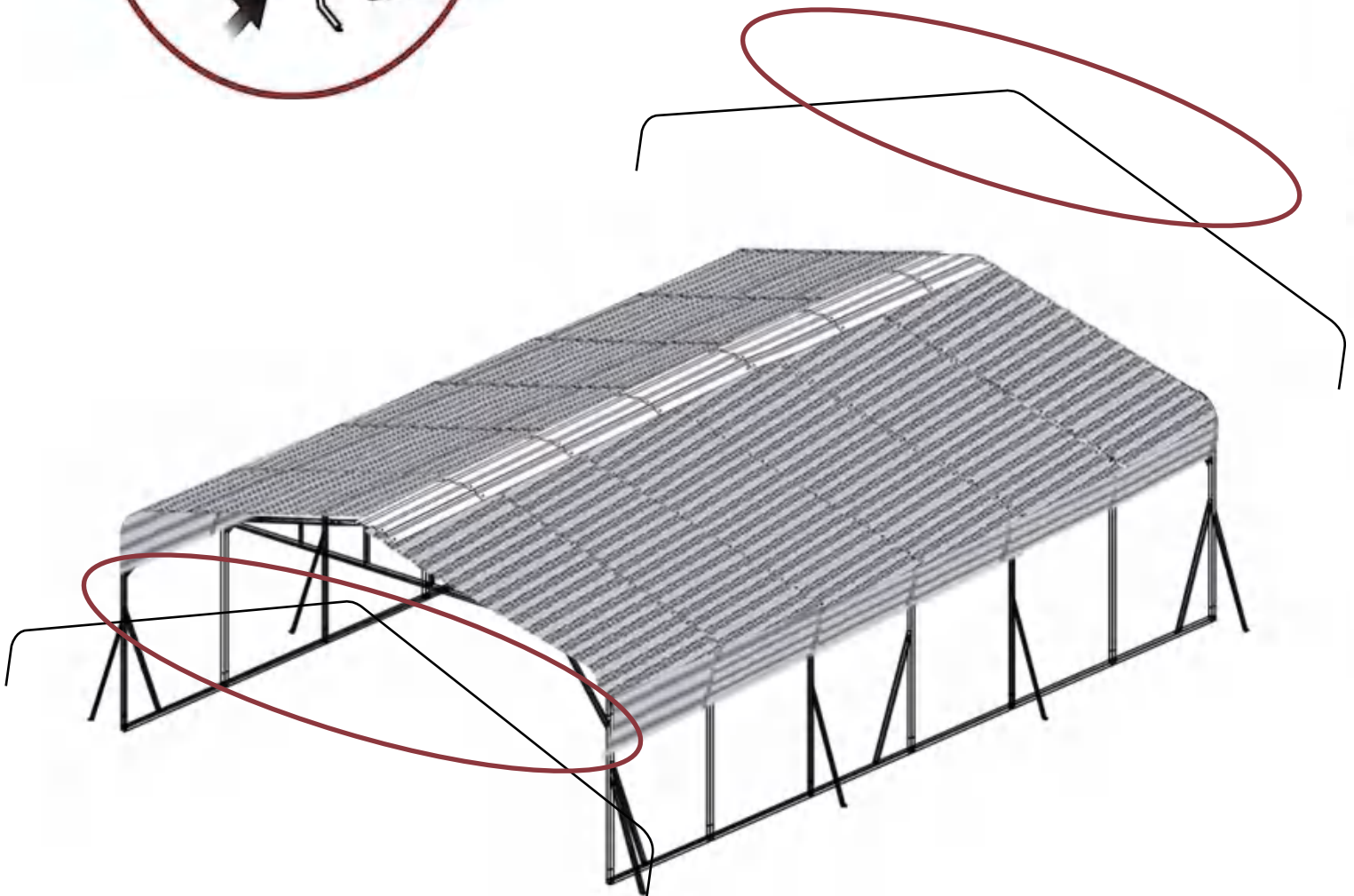
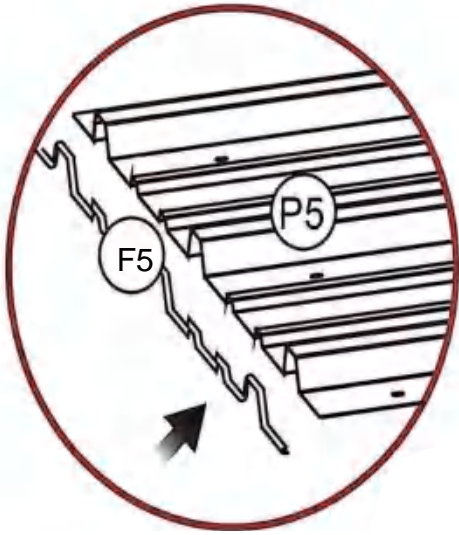
2



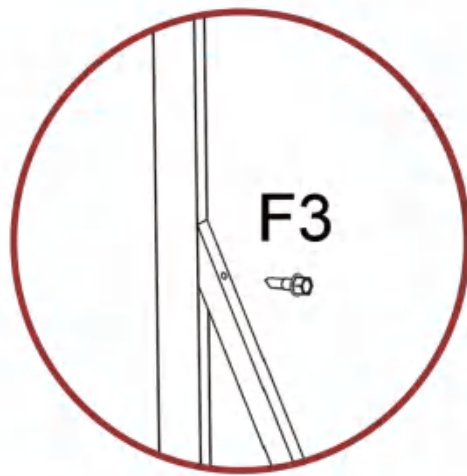
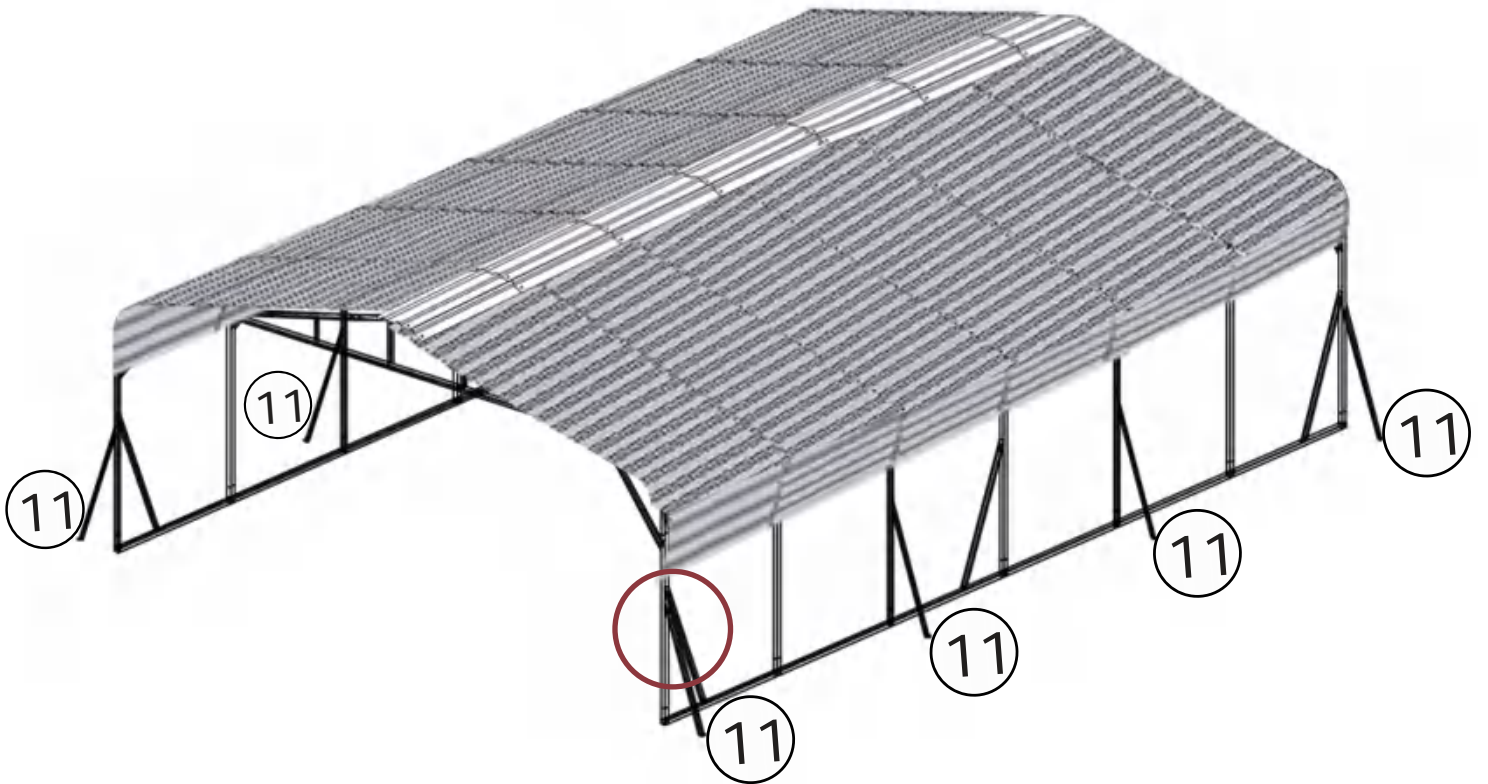
F3		X336
----	---	------

# STEP 9


Note: After the P5 is installed, the waterproof tape is glued to the connection of the color steel tile of each gear to prevent water leakage.



# STEP 10

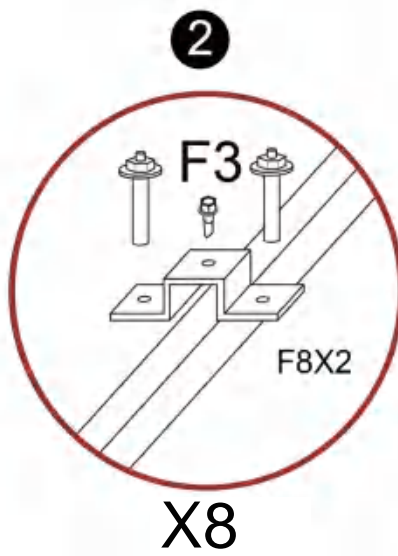
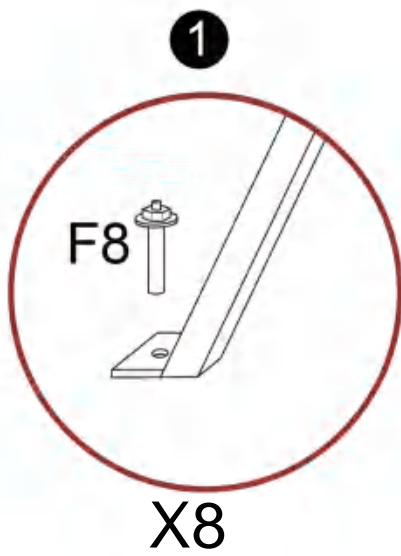
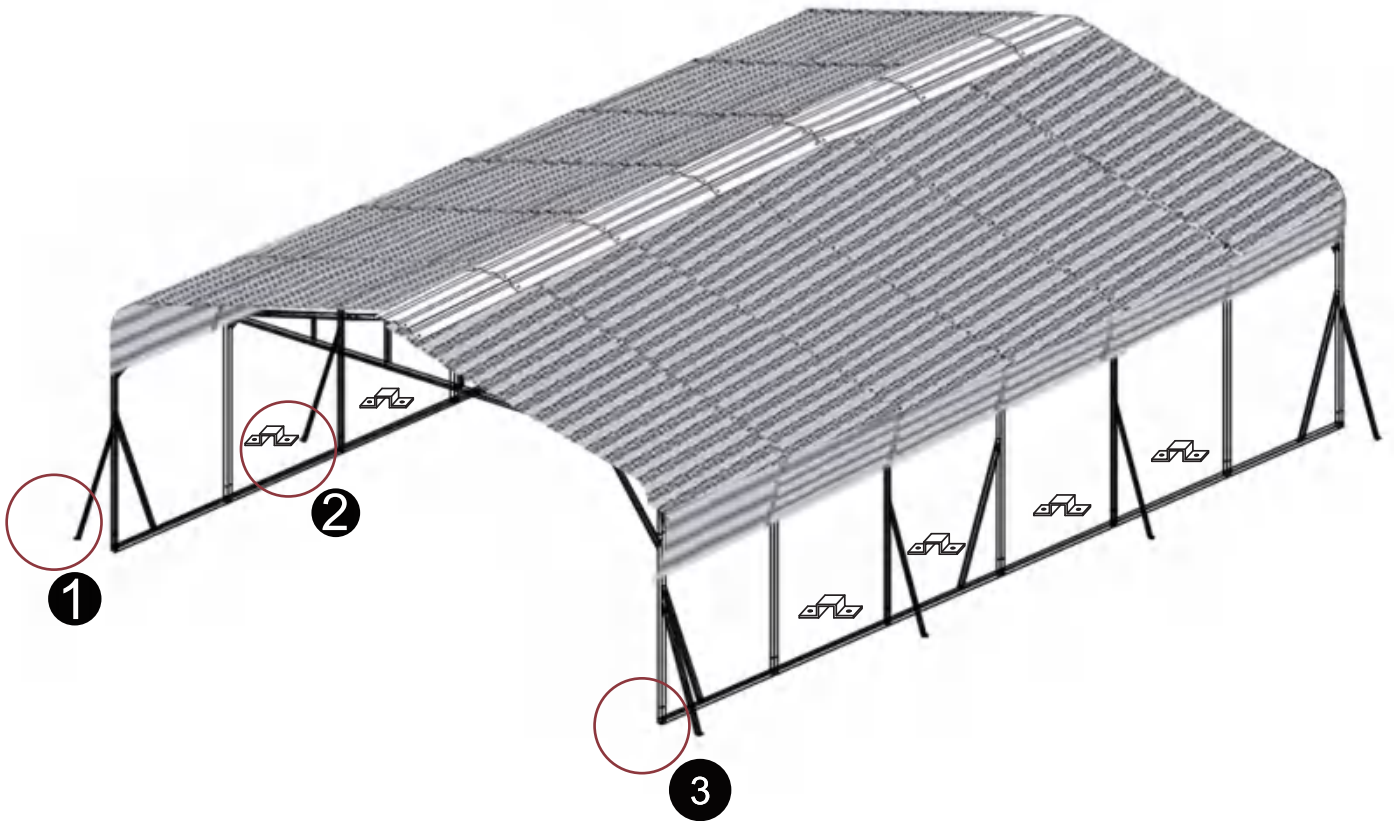


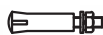

X8

F3		x8
----	---	----

# STEP 11

Note: Before installing the F8, make sure the overall product size is consistent. If not, adjust it to prevent the product from shaking.



F8		x24
F3		x8