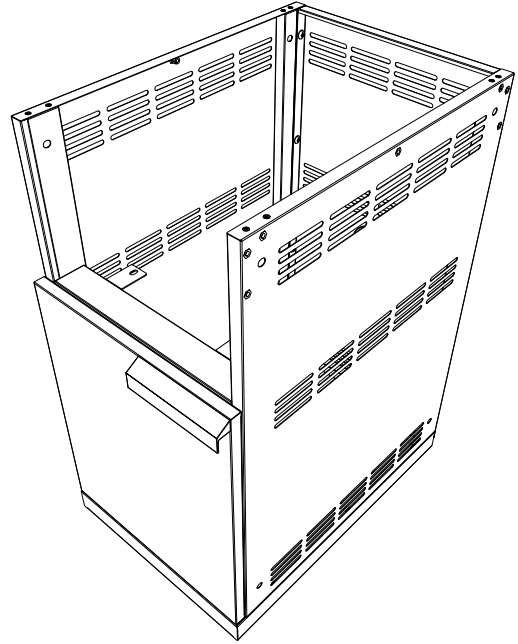


NEWAGE SIDE BURNER CART

SKU#66961

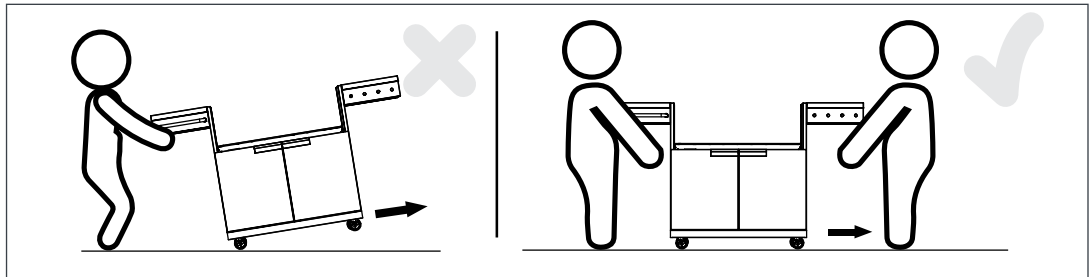


INSTALLATION AND OPERATION GUIDE



Warning: Excessive weight hazard!

Use two or more people to move, assemble, or install the grill cart to avoid back injury. Do not leave children unattended near the grill or cabinets.



ATTENTION: Is your Grill Cart damaged?

Need help or spare parts? For fastest service, contact NewAge Products at 1-877-306-8930; or support@newageproducts.com. Do not return to the retailer.

THIS INSTRUCTION MANUAL CONTAINS IMPORTANT INFORMATION NECESSARY FOR THE PROPER ASSEMBLY AND SAFE USE OF THE APPLIANCE.
READ AND FOLLOW ALL WARNINGS AND INSTRUCTIONS BEFORE ASSEMBLING AND USING THE APPLIANCE.
FOLLOW ALL WARNINGS AND INSTRUCTIONS WHEN USING THE APPLIANCE. FAILURE TO OPERATE THIS PRODUCT IN A WELL VENTILATED AREA CAN CAUSE PROPERTY DAMAGE, INJURY OR DEATH.

For the online installation manual and videos regarding this product, please check out our support hub via: <https://NewAgeproducts.com/support-hub/>

Index

MANUFACTURER WARRANTY	3
Unpacking	4
Product Inspection	4
Tools Needed	4
Parts Supplied	6
Installing the Casters	7
Installing Side Panels	8
Installing Back Panel	9
Installing Cart Support Panel & Brackets	10
Installing Cart Doors	12
Attaching two Appliance Carts (Optional)	14
Installing Side Burner on NewAge Side Burner Cart	19
Spare Parts List	21

NEWAGE PRODUCTS INC. GRILL CART MANUFACTURER WARRANTY

**PROOF OF PURCHASE IS REQUIRED
TO OBTAIN WARRANTY SERVICE.**

Please have the following information available when you call our customer service team:

- Name, address and telephone number
- Product Name / SKU Number
- A clear, detailed description of the problem
- Proof of purchase including order number

Register your NewAge Products purchase online for quicker customer assistance and access to exclusive benefits

Visit www.newageproducts.com/register/

Warranty Claim

For warranty service please contact NewAge Products at **1-877-306-8930; or support@newageproducts.com**
Please review all warranty details below, prior to contacting NewAge Products for a claim.
Scan the QR code on the right to access our support page or visit www.newageproducts.com/contact-us/



Scan this QR code with the camera on your mobile device to visit the NewAge Products Support Hub
www.newageproducts.com/support-hub/

LIMITED WARRANTY

NewAge is proud to offer a complete product warranty for a period of (Five Years from the date of purchase.) Subject to the limitations and disclaimers set forth below or in other product documentation, NewAge Provides the following additional warranties to the initial customer;

Length of Warranty	Warranty Covered Items	Cost to NewAge	Cost to Customer
2 Years	Casters and Hinges	Materials	Shipping
5 Years	Cart overall construction	Materials	Shipping

WHAT IS COVERED

When this product is installed, operated and maintained according to the instructions attached to or furnished with the product, NewAge Products Inc. will replace the defective product or parts if the part fails as a result of defective materials or workmanship for the warranty duration from the purchase date of the product.

WHAT IS NOT COVERED

1. Service calls to correct the installation of any NewAge products or to instruct you how to use or install them.
2. Damage resulting from products caused by accident, misuse, abuse, fire, flood, improper installation, acts of God, neglect, modification or mishandling.
3. Products damaged by improperly loading beyond the specified maximum weight capacity outlined in the instructions provided with the product.
4. Repairs or replacement when your product is used in other than normal, residential use, such as a commercial environment, or handled in anyway inconsistent with the installation instructions included with the product.
5. Cosmetic damage that occurs after customer purchasing the product, including scratches, dings, dents, corrosion, or stains in the material that does not affect the structural or functional capability of the product.
6. Surfaces damaged due to improper use of chemicals, and detergents.
7. Discoloration due to the high heat, for example beside a grill, is a trait of stainless steel.
8. Surface rust
9. Resulting from acid rain or environmental chemicals
10. Replacement parts for NewAge products outside Canada and the United States.
11. Loss due to theft.
12. Damage resulting from use of the product contrary and not in accordance to the instruction manual.
13. Any labor costs during the warranty period.

The 304 stainless steel material used in the construction of NewAge Outdoor Kitchen Cabinets is highly rust resistant, however, chlorine in the air from swimming pools or the salt from sea air may cause surface rust to appear and even create some pitting corrosion if left on the product. We suggest cleaning all stainless steel surfaces at least every two weeks to keep your cabinets in prime condition. The chemical reaction from salt is easy to prevent however it is more difficult when left on the surface.

DISCLAIMER OF IMPLIED WARRANTIES

IMPLIED WARRANTIES, INCLUDING TO THE EXTENT APPLICABLE WARRANTIES OF MERCHANTABILITY OR FITNESS FOR A PARTICULAR PURPOSE, ARE EXCLUDED TO THE EXTENT LEGALLY PERMISSIBLE. ANY IMPLIED WARRANTIES THAT MAY BE IMPOSED BY LAW ARE LIMITED TO ONE YEAR, OR THE SHORTEST PERIOD ALLOWED BY LAW. THIS WARRANTY IS LIMITED TO THE ORIGINAL BUYER. Some states and provinces do not allow limitations on the duration of implied warranties of merchantability or fitness, so this limitation may not apply to you. This warranty gives you specific legal rights, and you also may have other rights that vary from state to state or province to province.

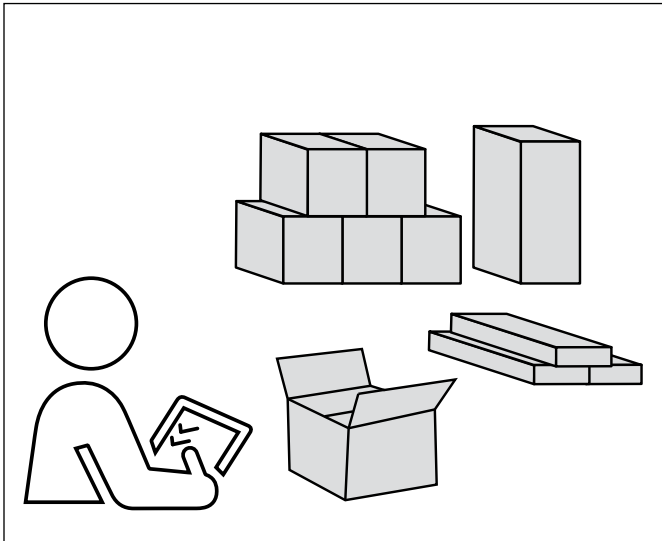
LIMITATION OF REMEDIES; EXCLUSION OF INCIDENTAL AND CONSEQUENTIAL DAMAGES

YOUR SOLE AND EXCLUSIVE REMEDY UNDER THIS LIMITED WARRANTY SHALL BE PRODUCT REPAIR OR REPLACEMENT AT OUR DISCRETION AS PROVIDED HEREIN. NEWAGE SHALL NOT BE LIABLE FOR INCIDENTAL OR CONSEQUENTIAL DAMAGES. Some states and provinces do not allow the exclusion or limitation of incidental or consequential damages, so these limitations and exclusions may not apply to you. This warranty gives you specific legal rights, and you also may have other rights that vary from state to state or province to province.

Unpacking

- Begin by placing the package on a covered flat surface.
- Remove all cardboard, foam packaging material and nylon bags.
- Dispose / recycle all packaging materials.
- Verify all the contents in the box and gather the required tools. See “Tools Needed” in the list on next pages.

Product Inspection

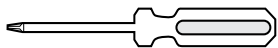


- Check to see all parts are received as per the order placed.
- Contact NewAge Products at 1-877-306-8930; for any missing parts.
- Inspect the products for any damages before starting the installation.
- Go through the installation instructions carefully before starting the installation.

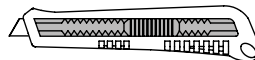
IMPORTANT NOTES

- Two or more persons are required to install the appliance Carts shown in this Installation Manual.
- The illustrations shown in this Install Manual are for representation purpose only. Actual sizes of the parts supplied in the package can be slightly different by appearance. Appearance of hardware sizes are enlarged for ease of understanding for the customer.

Tools Needed



**1 x #2 Phillips head
screwdriver**

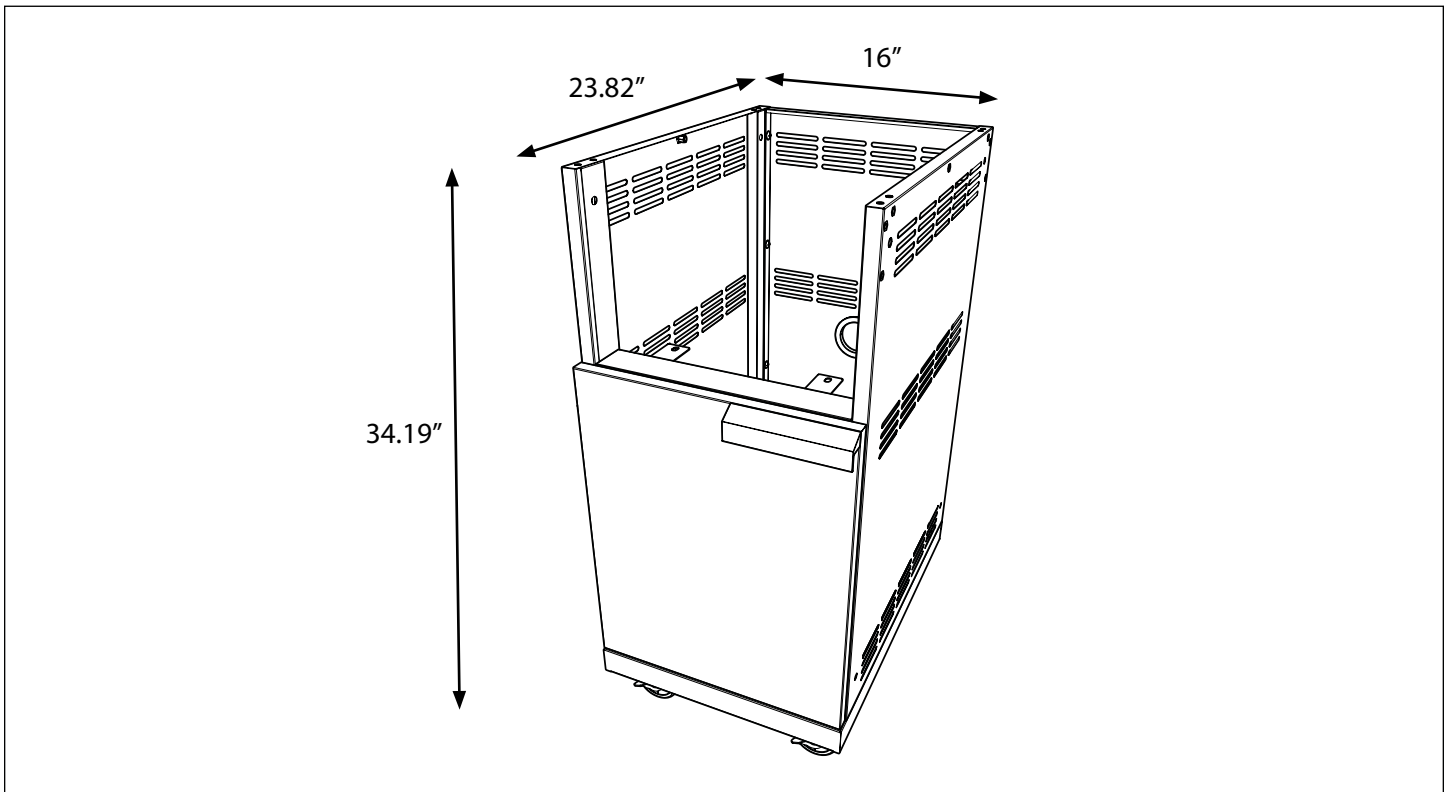


1 x Box Cutter



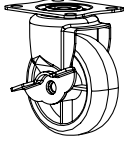
**2 x 6mm
Open Wrench**

Product Specifications

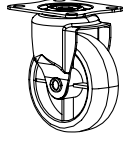


NewAge Side Burner Cart

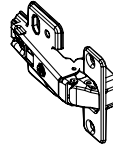
Parts Supplied



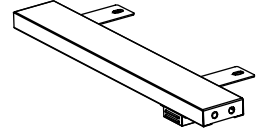
2x Cart wheel
(With Lock)



2x Cart wheel
(Without Lock)

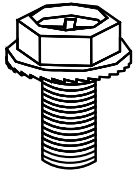


2x Door Hinge

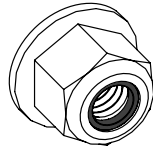


1x Cart Support Panel

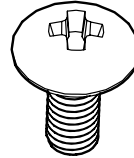
Hardwares



6x Hex Head Bolt-
M6X12L



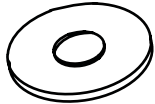
4x M6 Flange Nut



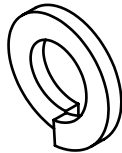
16x Phillips Head Screw-
M4X10L



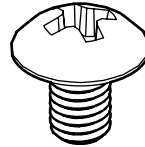
1x Wing Head Thumb
Screw - M6 with Stop
(Pre-installed)



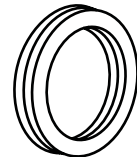
16x Plain Washer M6



16x Split Washer M6



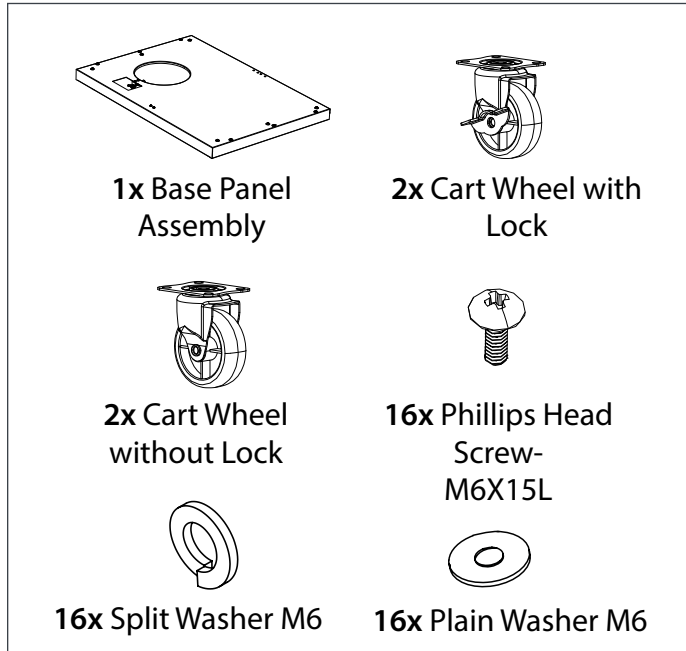
36x Phillips Head
Screw - M6x15L



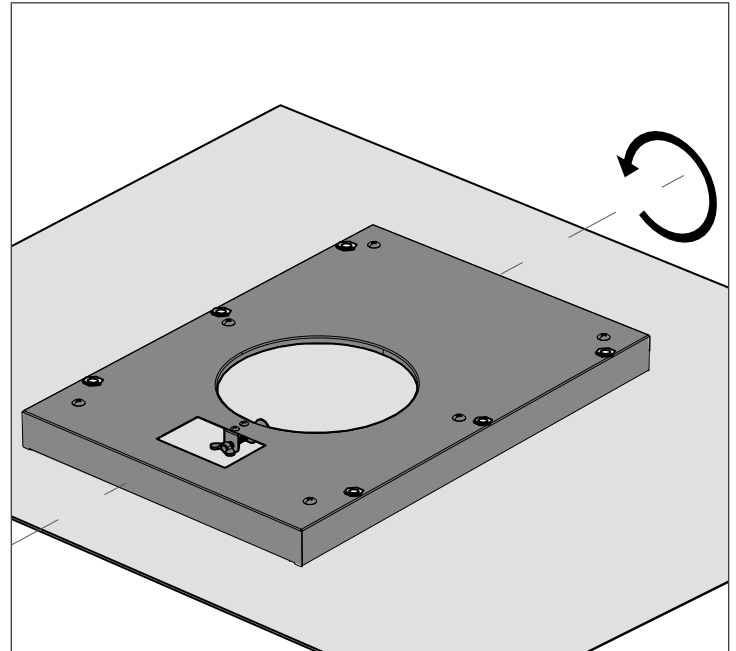
1x Rubber Grommet

Installing the Casters

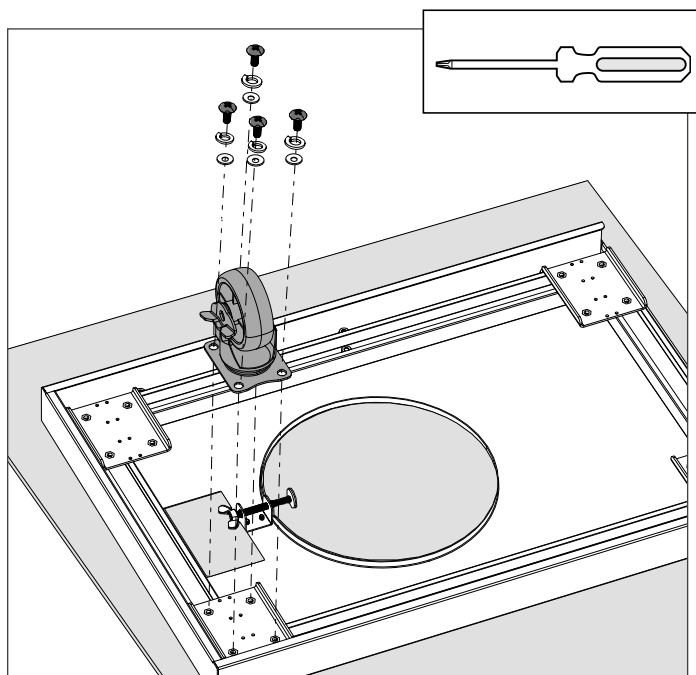
i Parts Required.



1 Begin by placing the Base Panel Assembly on a cushioned and covered flat surface. Rotate the Base Panel Cover Frame Assembly.

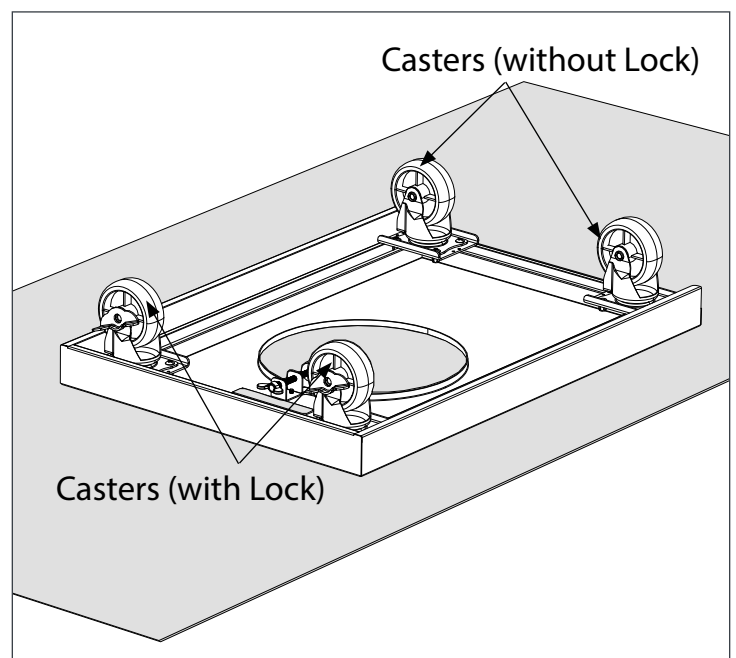


2 Using a screw driver, align the front side caster with the support, then tighten the Plain Washer, Split Washer & Phillips Head Screw as shown.



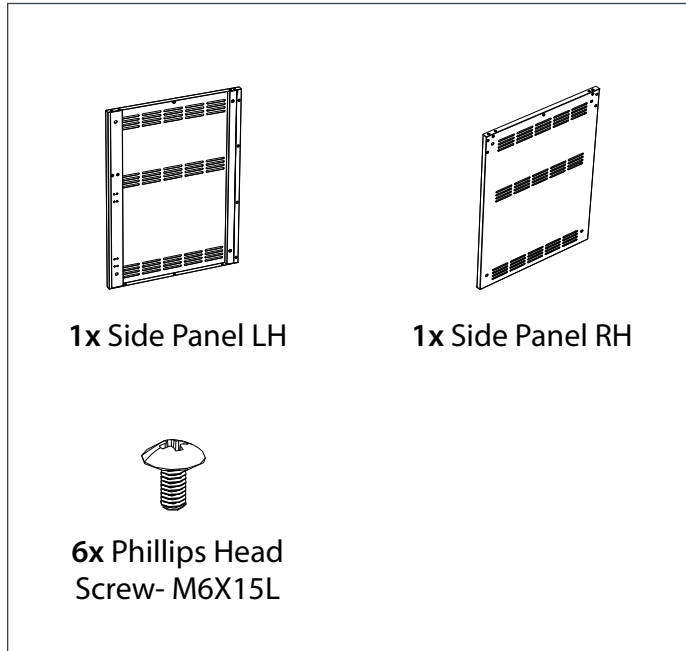
3 Repeat and install the Casters onto all the given pre-installed plates on the Base frame Support.

NOTE: The front sides casters are equipped with built-in locking.

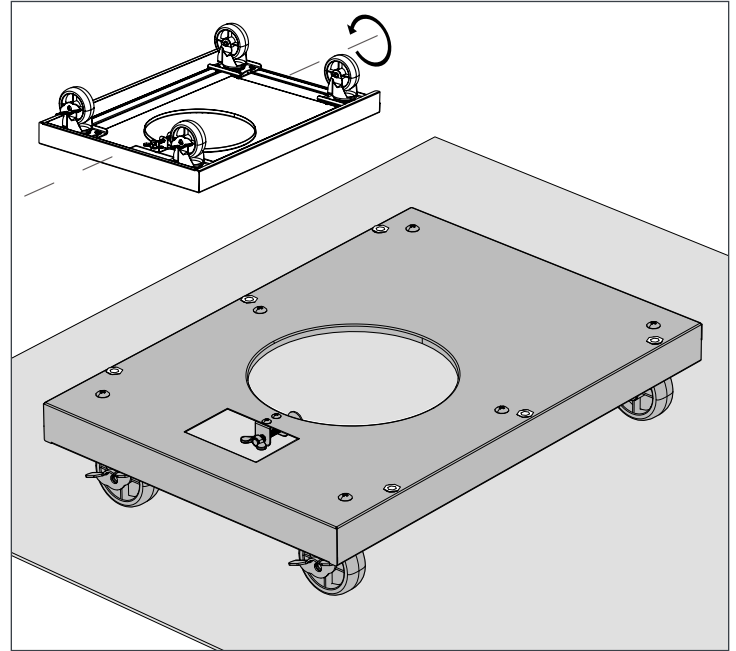


Installing Side Panels

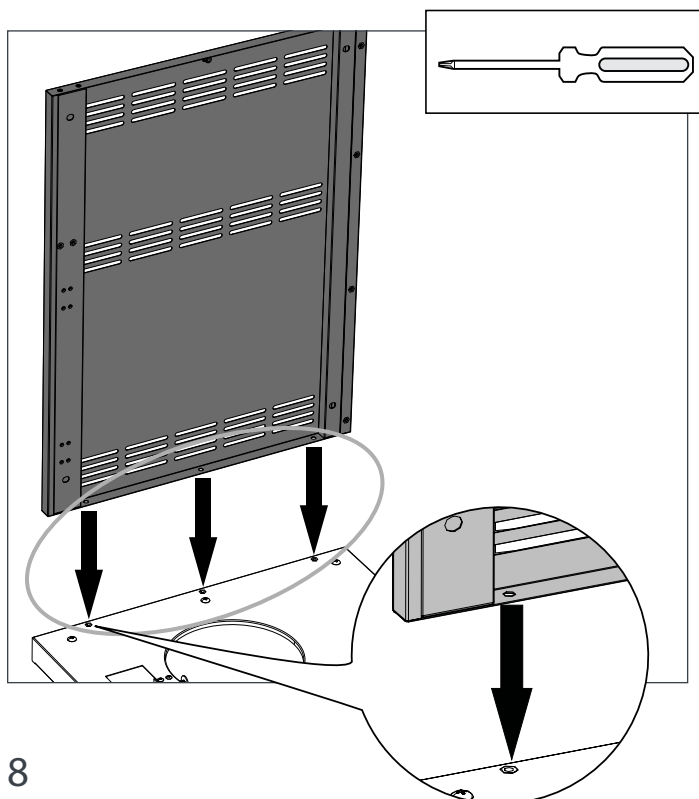
i Parts Required.



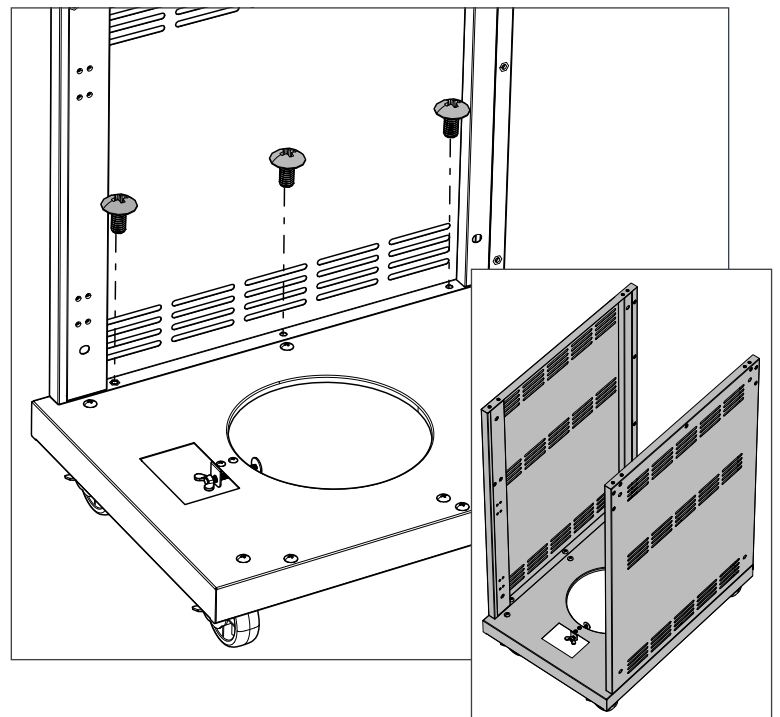
1 Rotate the Base Panel assembly to the position shown.



2 Now place the Side Panel LH Assy screw holes onto the rivet nuts of Base Frame Cover Panel Assembly.

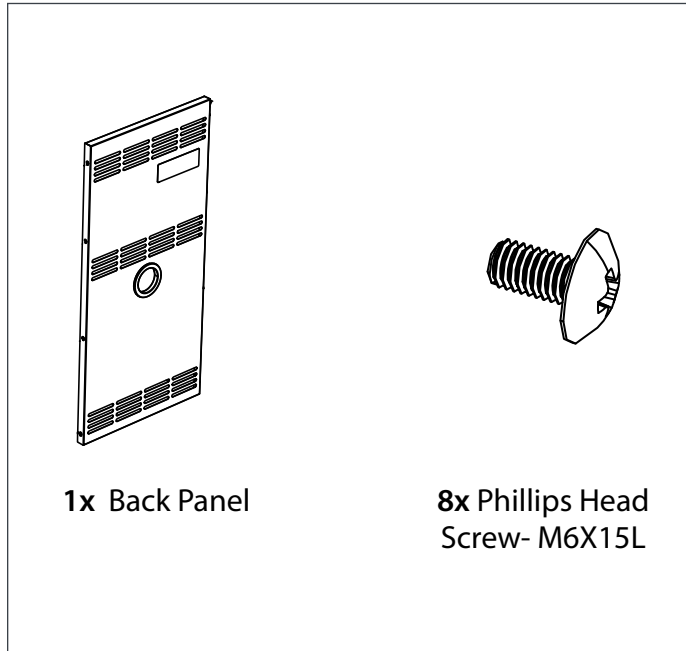


3 Tighten three Phillips Head Screw as shown. Repeat the similar steps and install the Side Panel RH Assemblies.

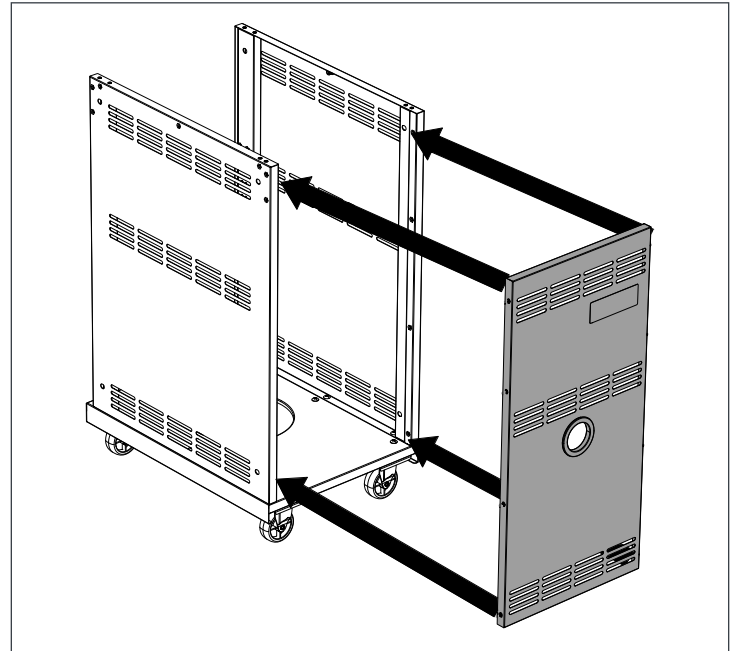


Installing Back Panel

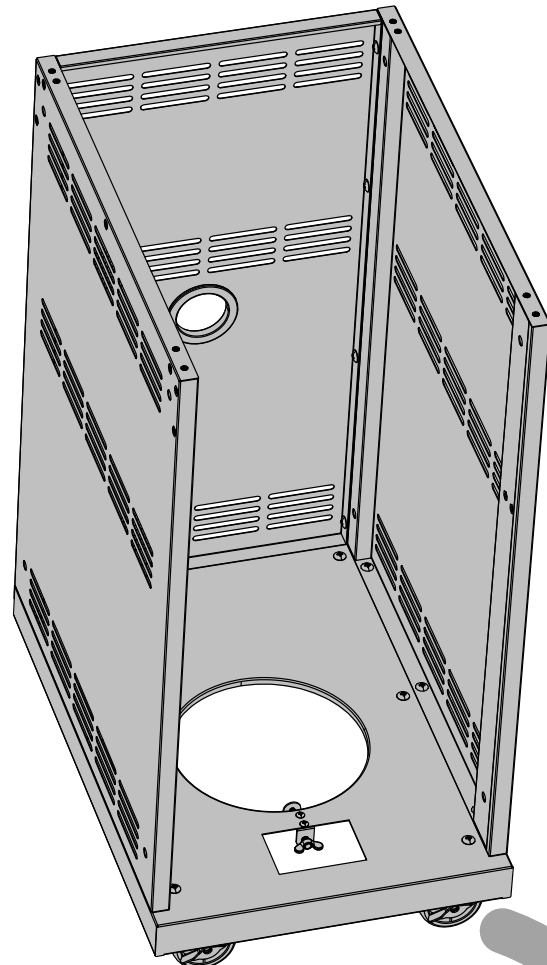
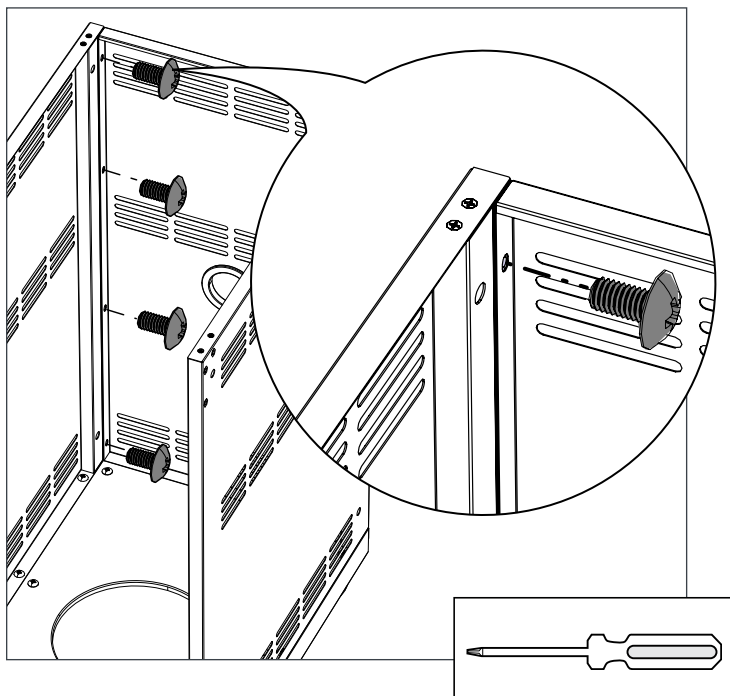
i Parts Required.



1 Place the Back Panel Assembly onto base frame with support of side panels as shown. **NOTE:** Keep the hold of inner panel until it is screwed on the Side Panels.

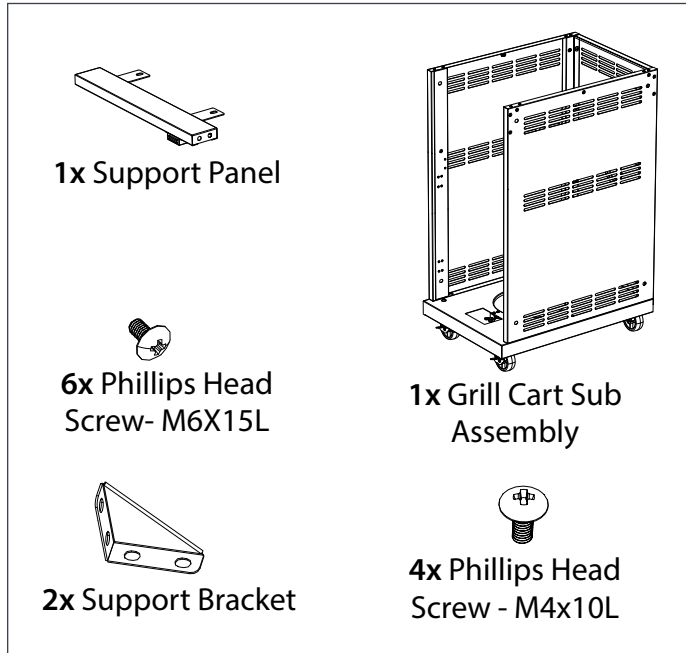


2 Match the holes with LH Side Panel, and tighten four Phillips Head Screw as shown. Repeat the similar steps and install the Phillips Head Screw into Side Panel RH Assembly.

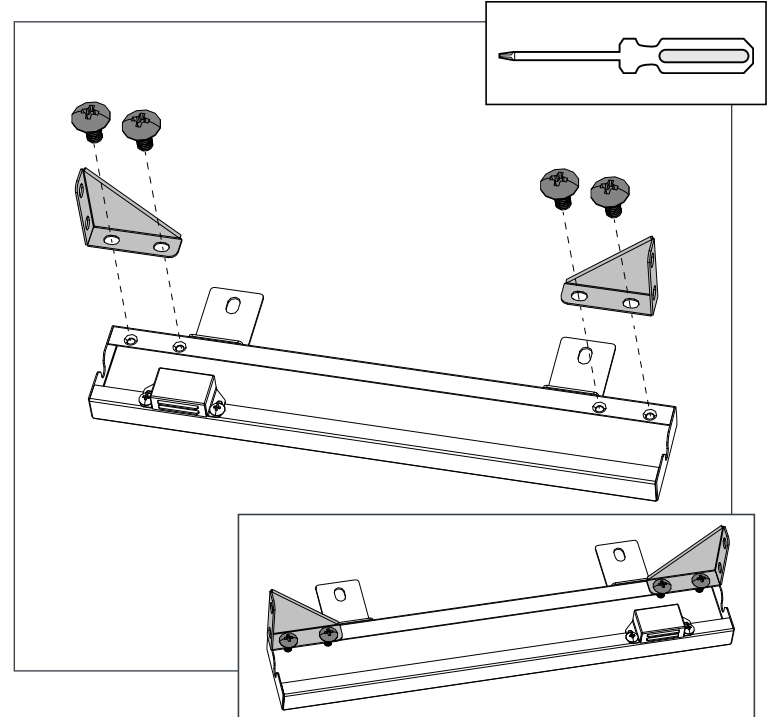


Installing Cart Support Panel & Brackets

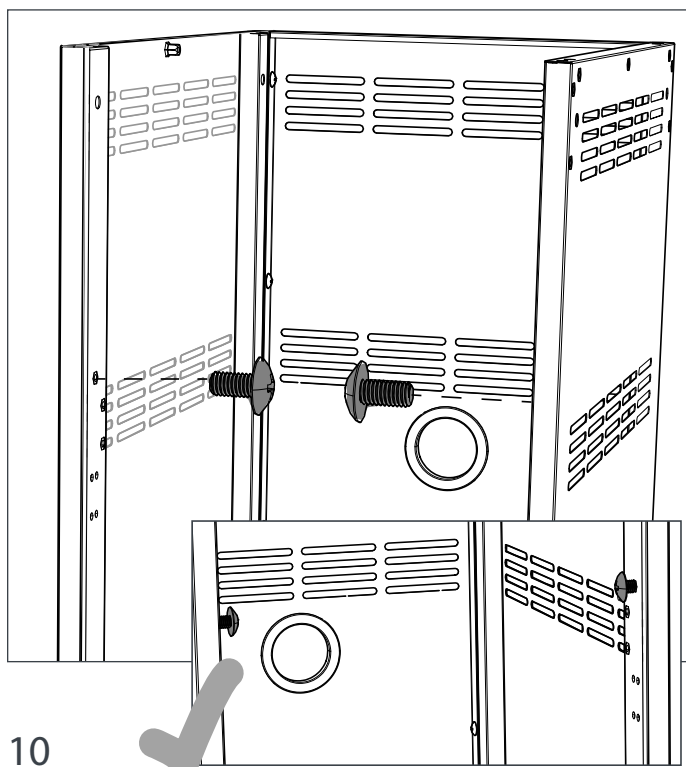
i Parts Required.



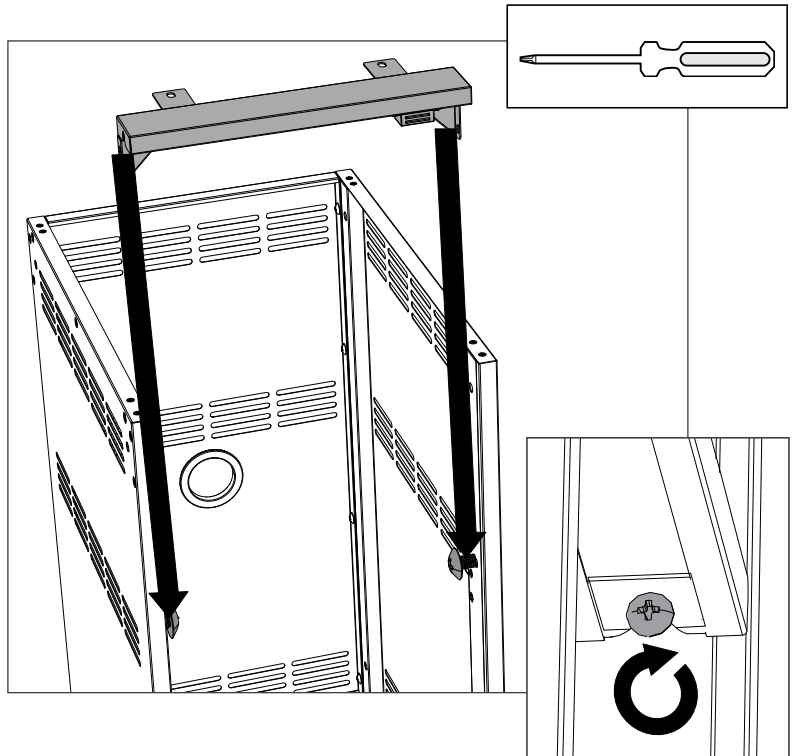
1 Place the Support Bracket onto the shown location on Support Panel. Using a screw driver, tighten Phillips Head Screw - M4.



2 Pre-tighten the Phillips Head Screws to install the Support Panel. Do not install these completely yet.

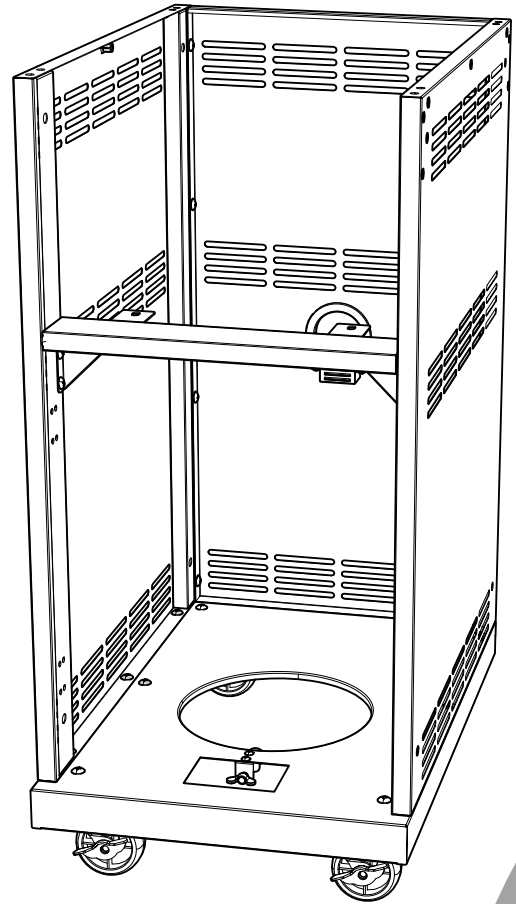
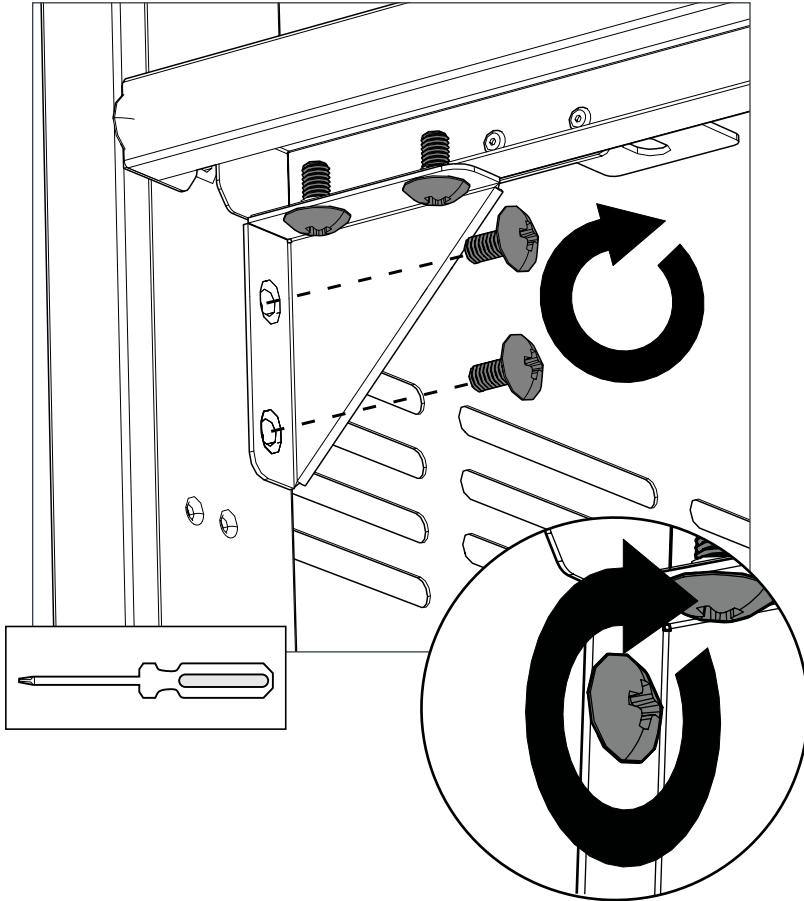


3 Now place the support panel assembly on partially tightened Phillips Head Screws. Then tighten the Phillips Head Screw using a screw driver.



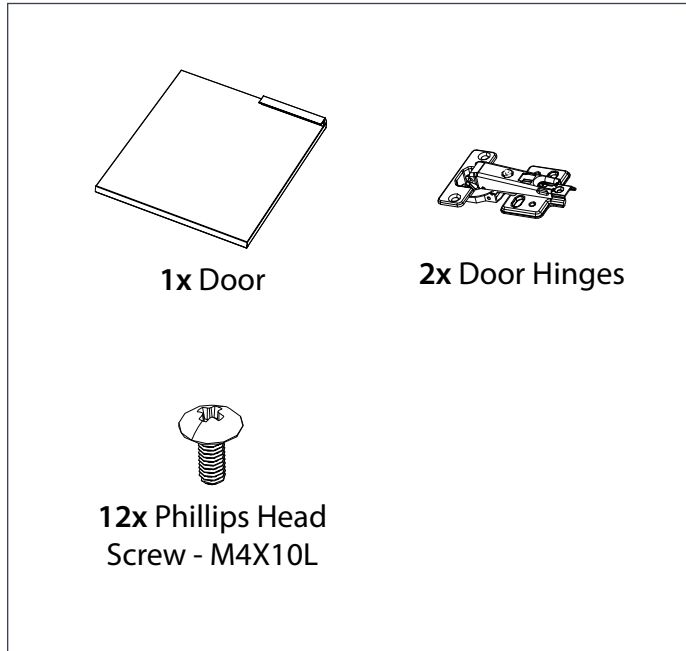
Installing Cart Support Panel & Brackets

- 4** Tighten the Phillips Head Screw and fix the bracket. Repeat the same steps for bracket on other side.

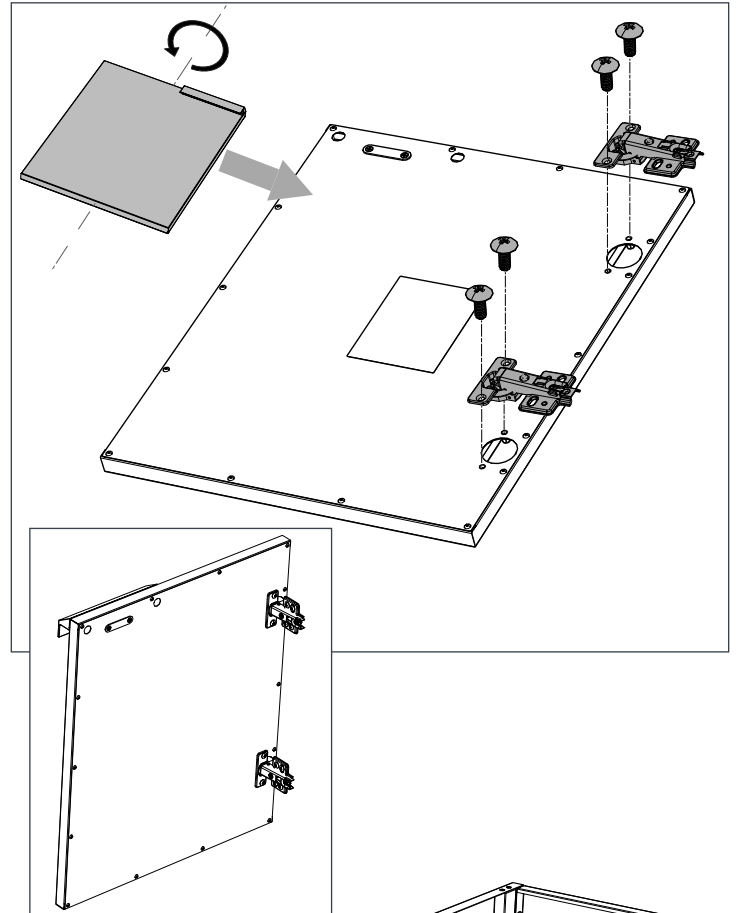


Installing Cart Doors

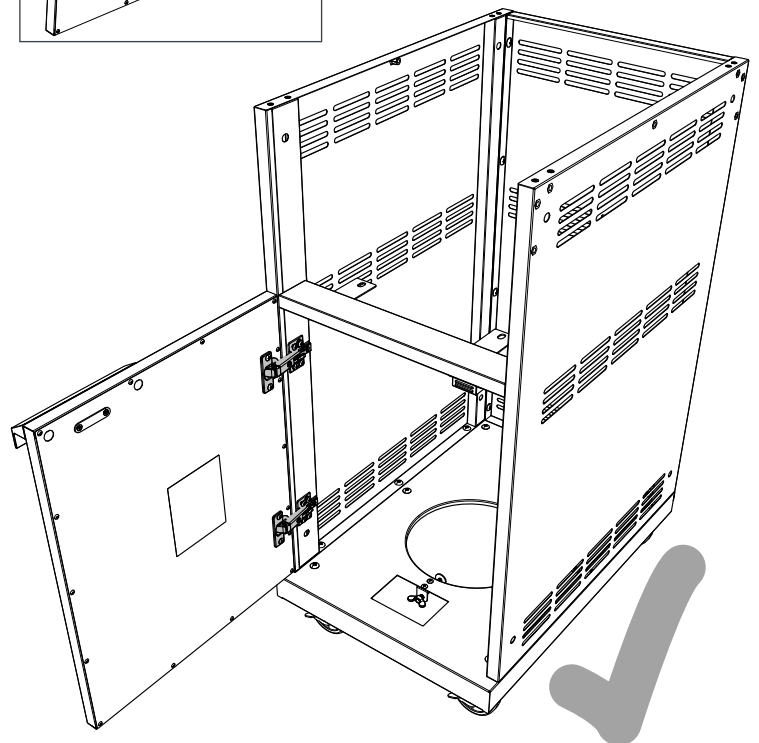
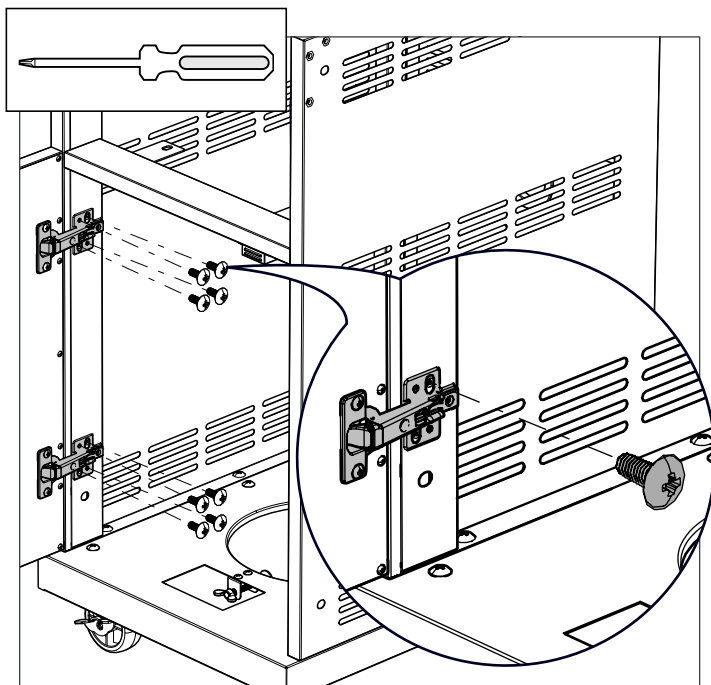
i Parts Required.



1 Flip the Door Assembly. Place the Hinges onto the door rivet nuts as shown, and install the Phillips Head Screw.



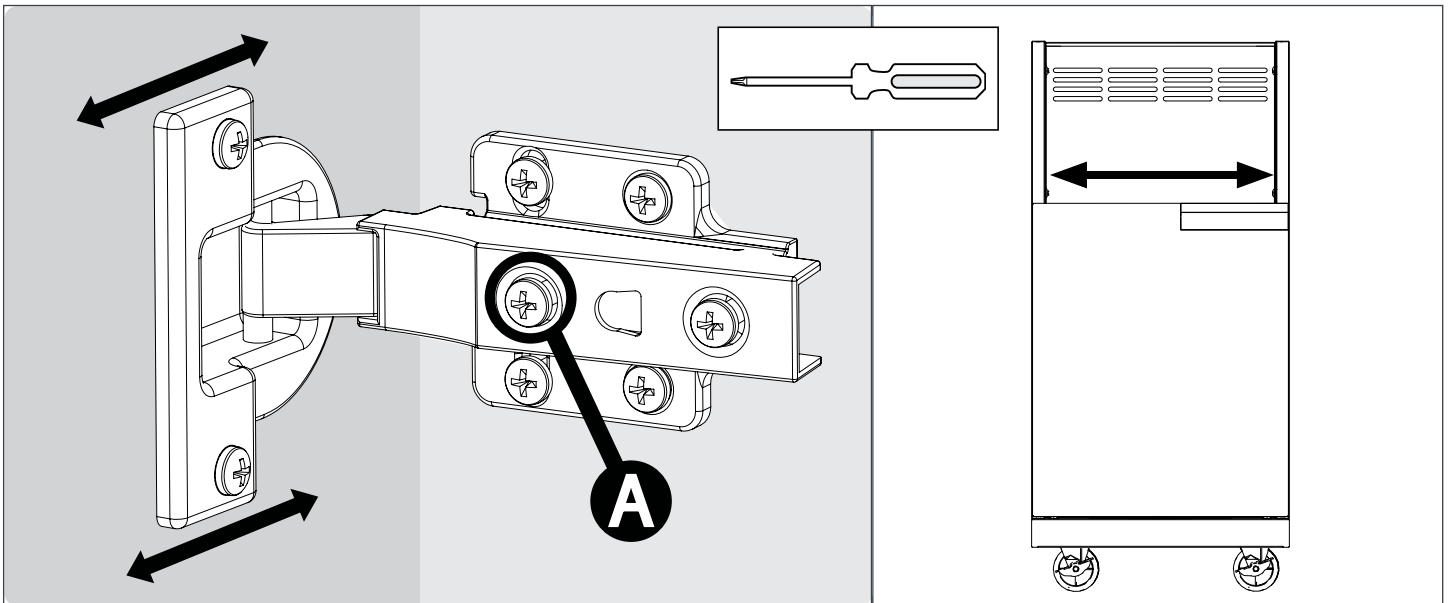
2 Align the Hinges with the RH vertical post, rivet holes are provided onto it. Tighten the Phillips Head Screw as shown below.



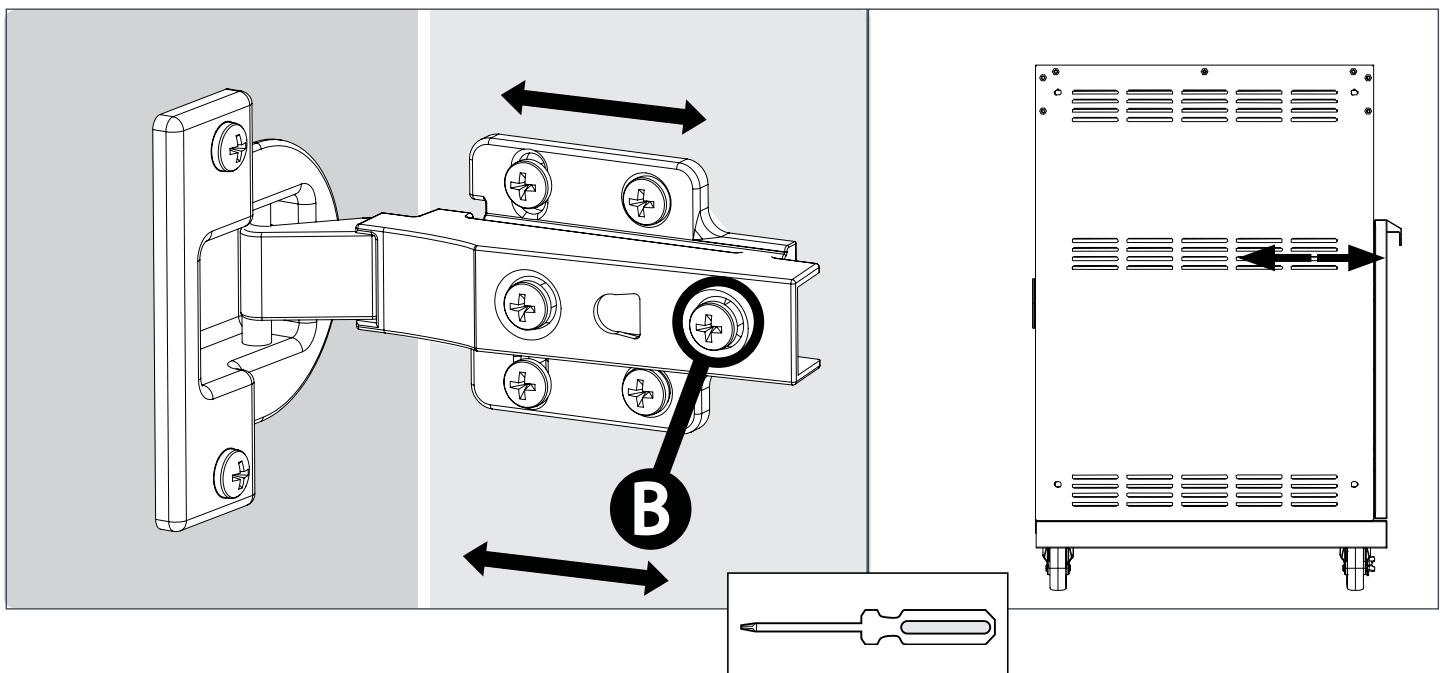
Adjusting The Door Hinges

Using a Philips screwdriver, the doors can be adjusted: Left, right, forwards and backwards.

- 1** To adjust the doors left or right, turn the screw (A) clockwise or counterclockwise.



- 2** To adjust the gap between the doors and frame, turn the screw (B) clockwise or counter-clockwise.

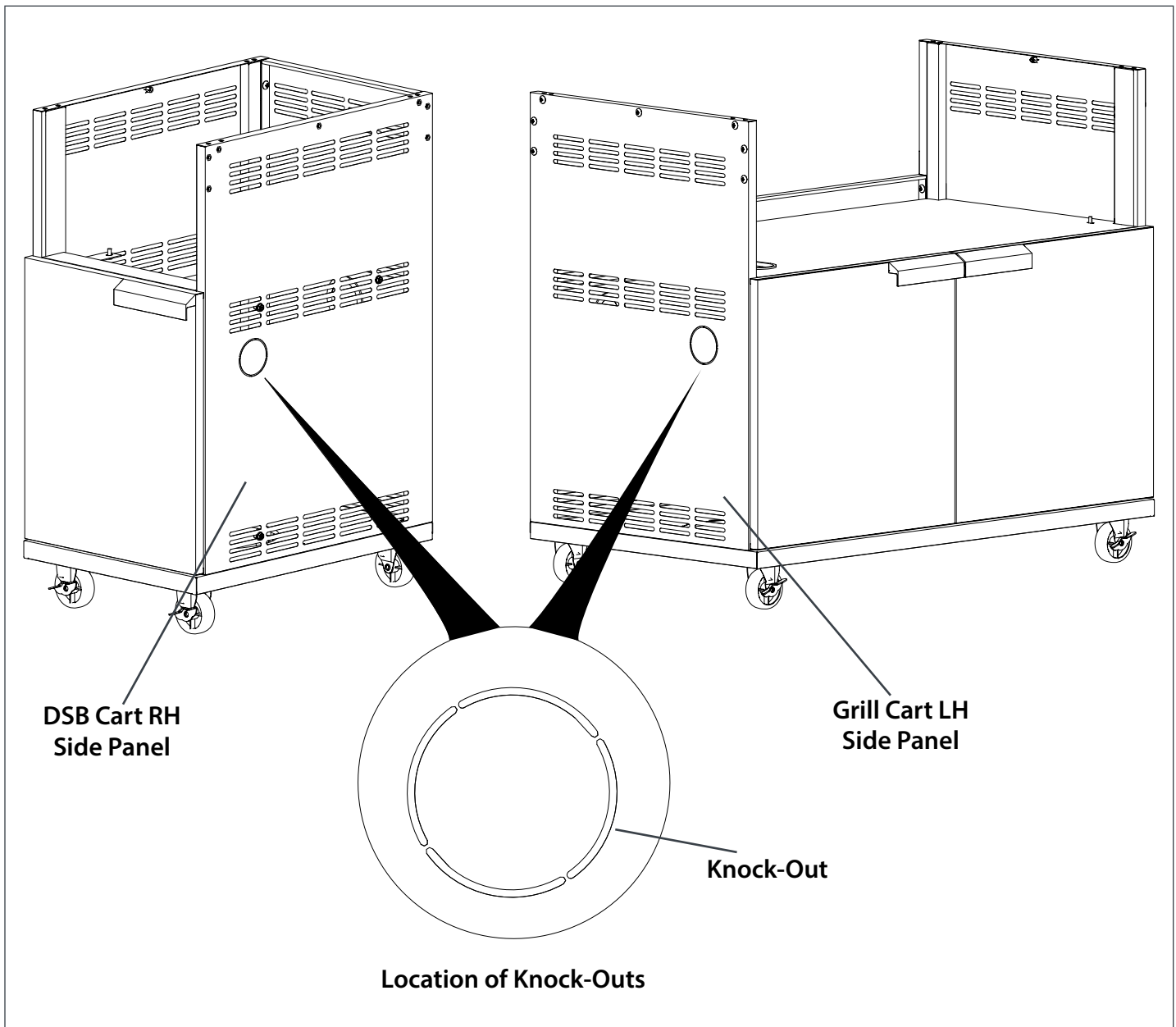


Attaching two Appliance Carts (Optional)

IMPORTANT NOTES

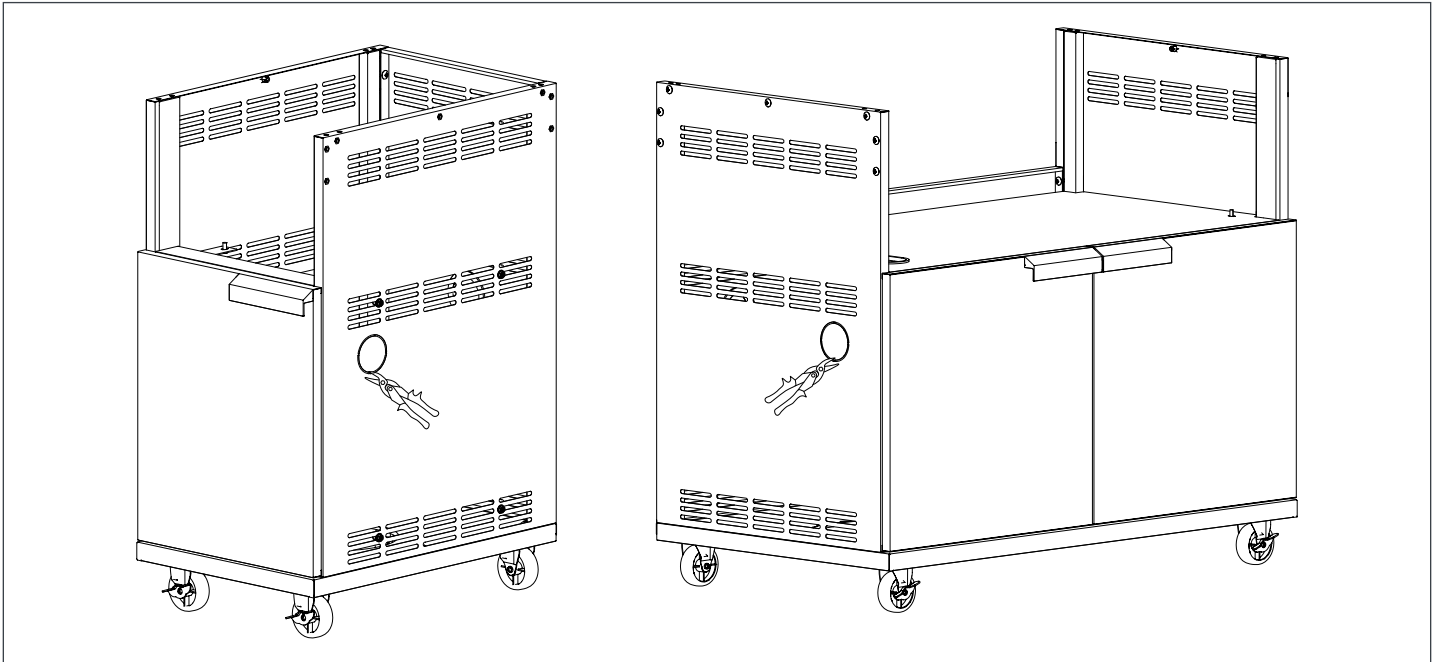
- Side burner cart should be on the left-hand side of the Grill Cart

- 1 Locate the pre-slotted hole at the RH Side Panel of the DSB Cabinet & LH Side Panel of Grill Cabinet for passing through gas hose connections.



Attaching two Appliance Carts (Optional)

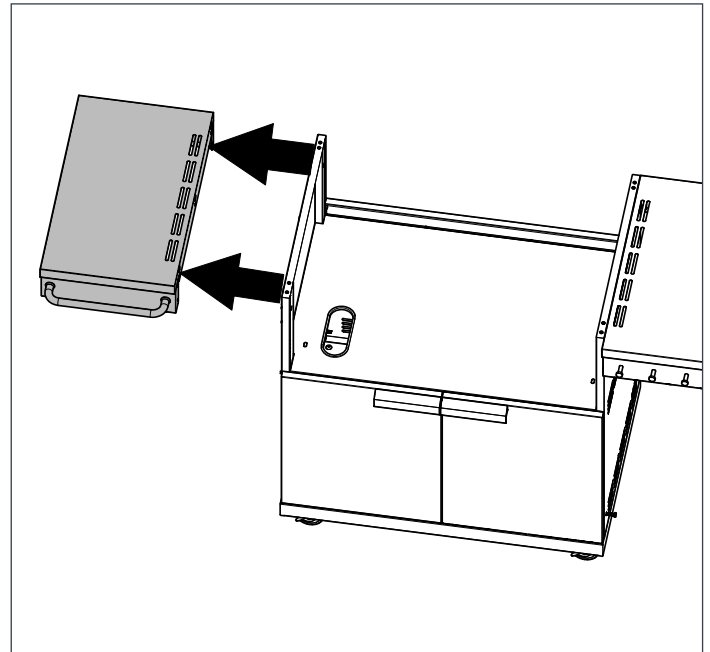
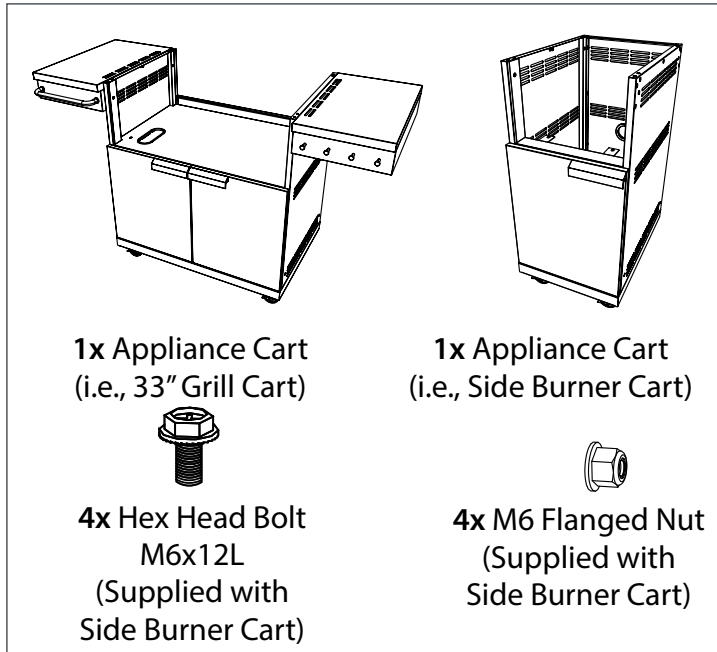
- 2** Using tin snips to cut small webs to release the knockouts on RH Side Panel of the DSB Cabinet & LH Side Panel of Grill Cabinet.



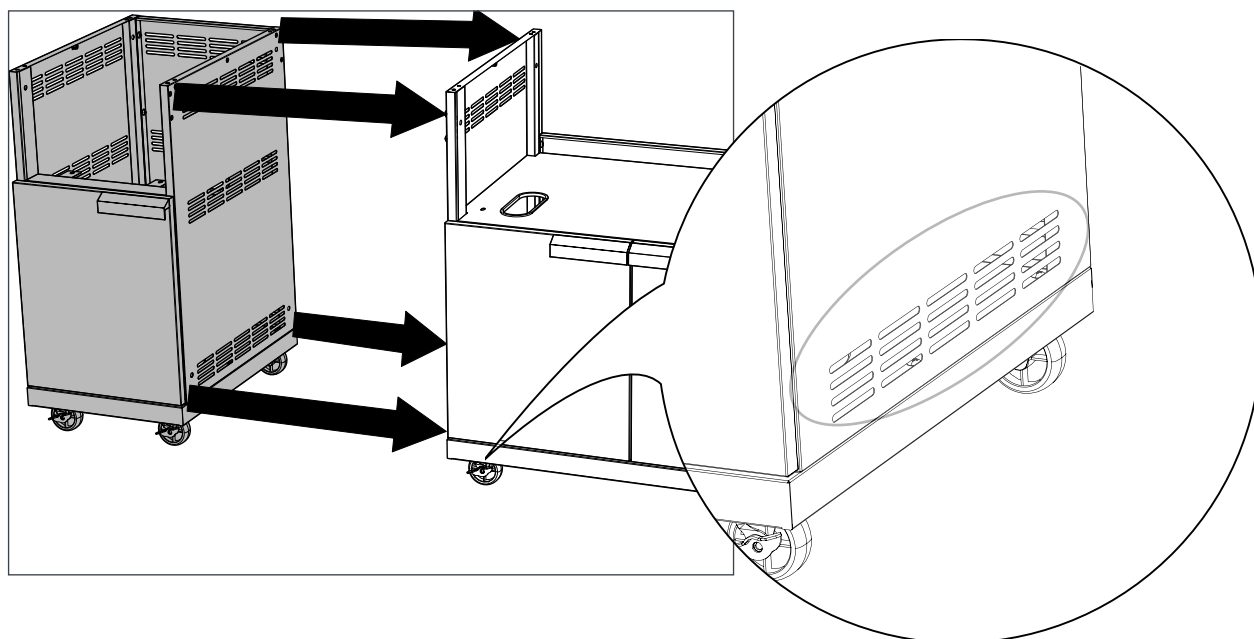
Attaching two Appliance Carts (Optional)

i Parts required.

3 Unscrew the Phillips Head Screw and unmount the LH Side Table Assembly.

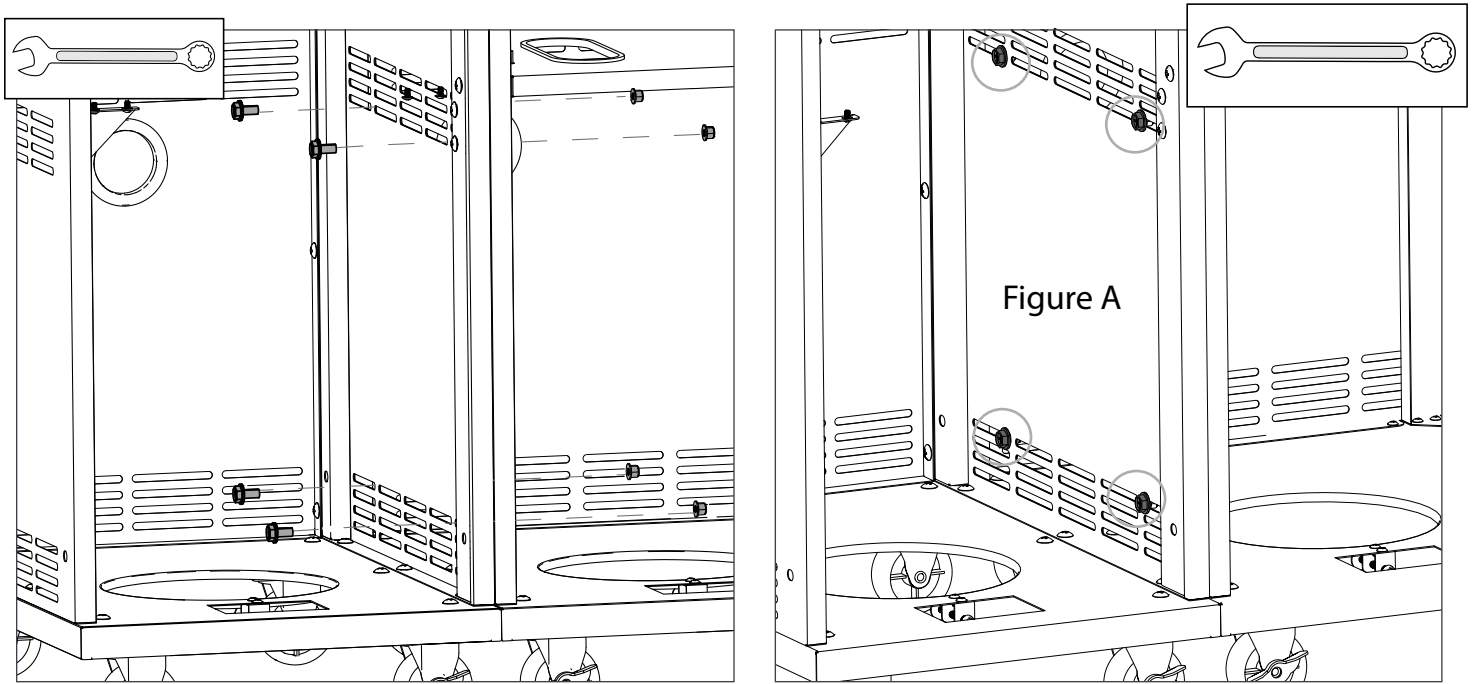


4 Place the carts closer with reference to Side Panels as shown. Then align the slot cut-outs (refer highlighted slot cut-outs below).

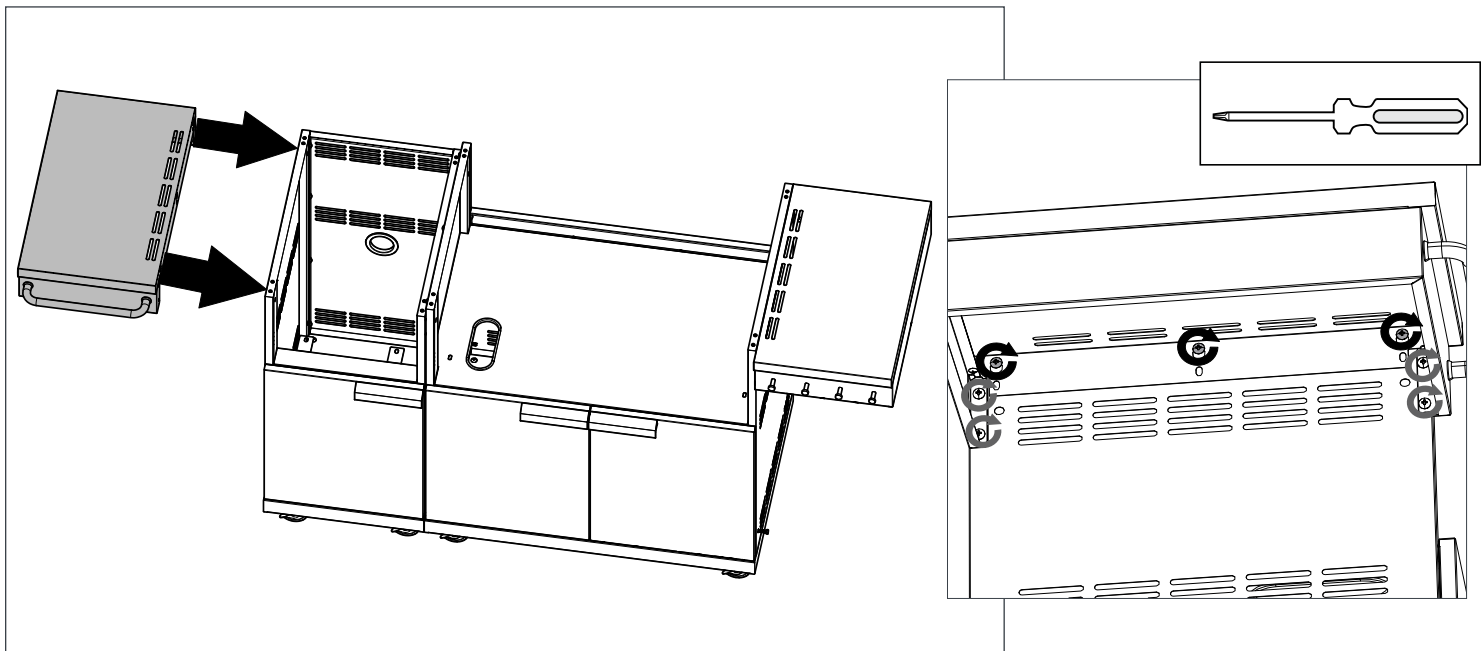


Attaching two Appliance Carts (Optional)

- 5** Open the Carts doors and keep open until install is done. Now insert bolt through the given vent holes in Side Panels of the carts, and then tighten using nuts onto it. Repeat this step to install the nuts and bolts onto all four locations. Refer figure A.



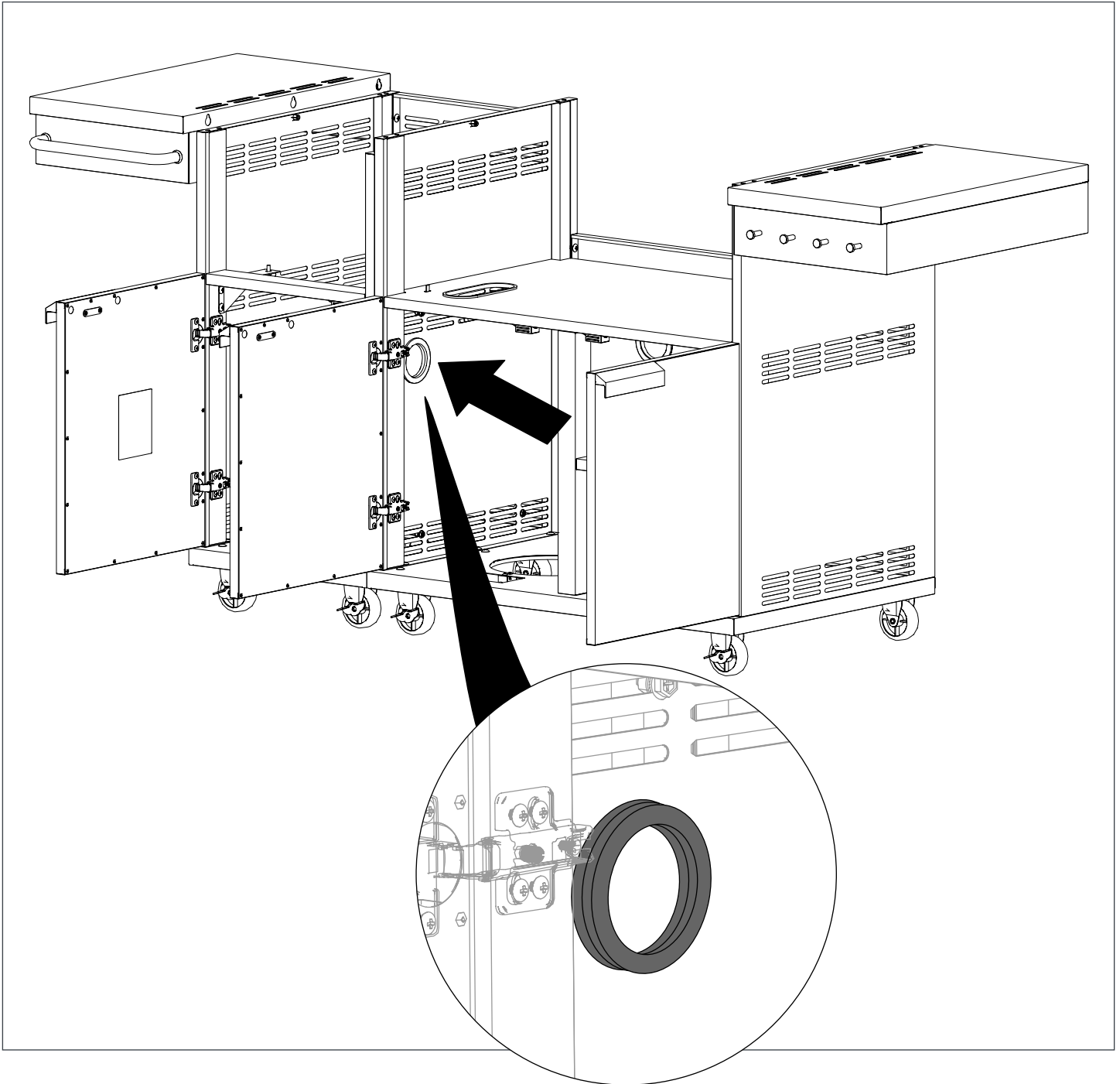
- 6** Now close the Cart doors. Install back the LH side table assembly to the Side Burner Cart Assembly by screwing-in to the same location onto the Side Burner Cart.



Attaching two Appliance Carts (Optional)

- 7** Insert Rubber Grommet over the Knock-outs as edge protection to protect the gas hose from any cuts or damage and to prevent any gas leak due to abrasion of the gas hose.

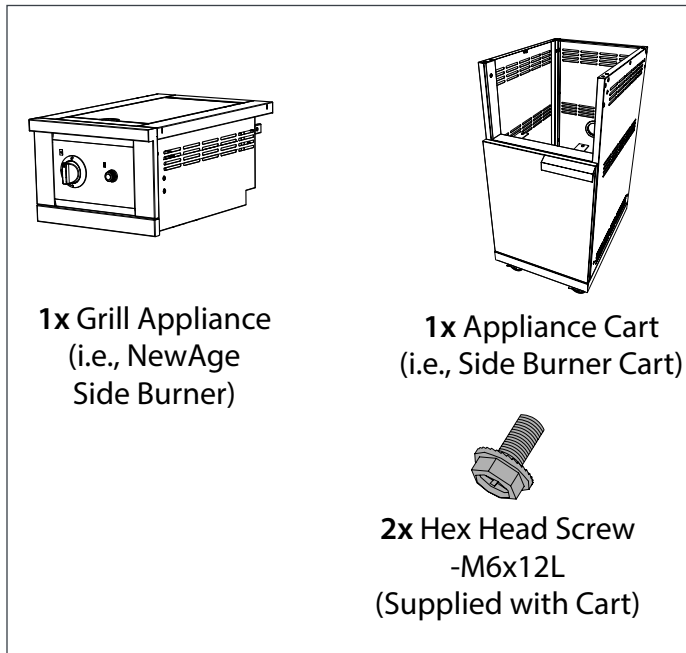
NOTE: Push the Rubber Grommet so that it covers both the Side Panels Knock-out cuts.



i NOTE: Rubber Grommet is supplied with the Side Burner Cart placed inside the Hardware box.

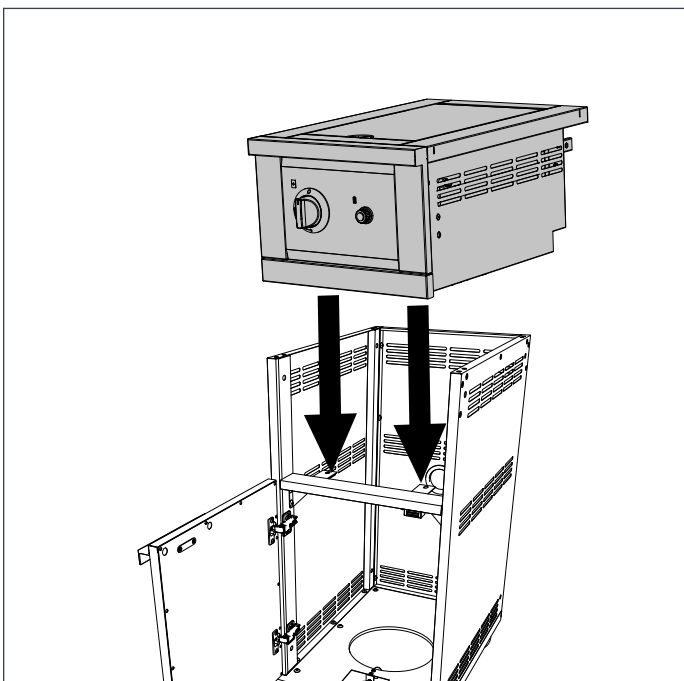
Installing Side Burner on NewAge Side Burner Cart

i Parts required.

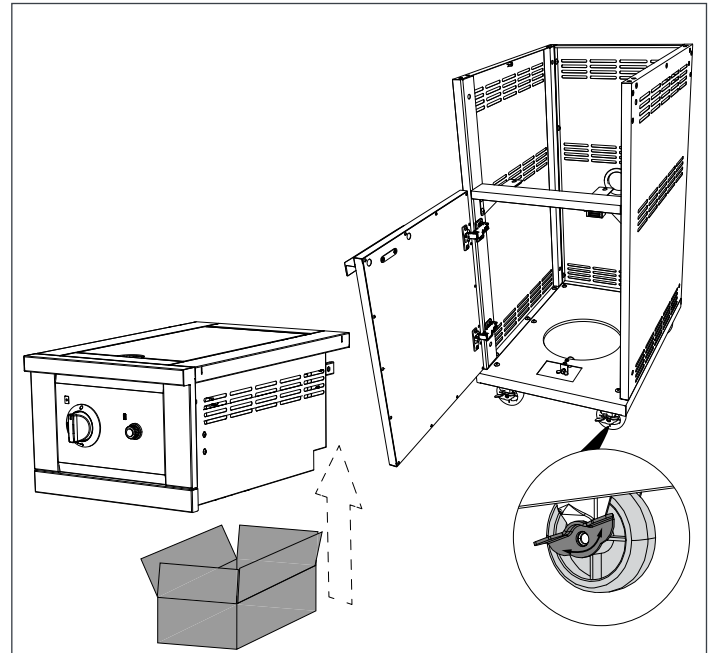


NOTE: When you are ready to install the appliance, place it directly onto the Cabinet. **DO NOT** place the appliance on floor or flat surface.

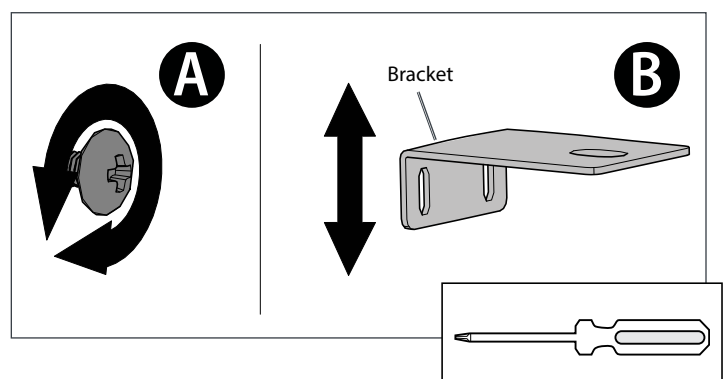
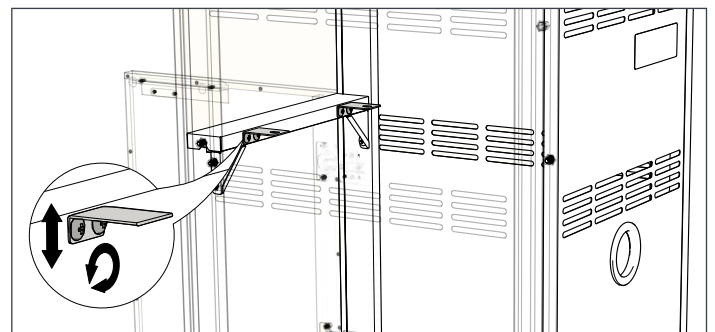
2 Place the Side Burner onto the cart.



1 Lock the Casters. Pick the appliance from the box, and place it onto the cart directly.



3 Partially loosen the screw mounted onto the brackets (A). Adjust height of the bracket and level the Side Burner base so that it rest properly on bracket (B). Then tighten the Screws.



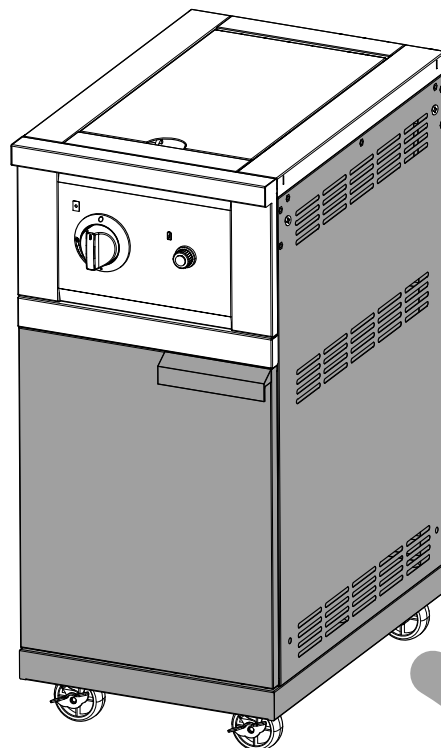
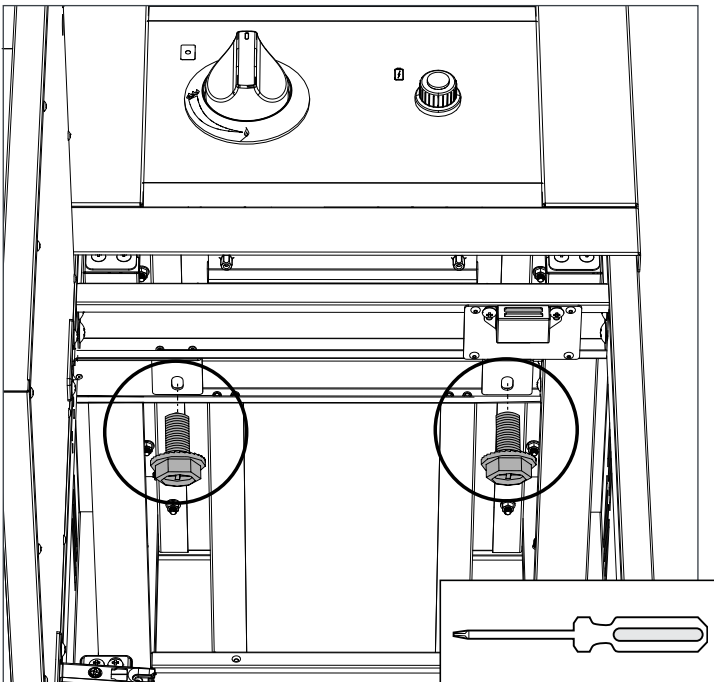
Installing Side Burner on NewAge Side Burner Cart

IMPORTANT NOTES

- If installing appliance Grill only on one appliance Cart, then follow step 3 and step 4 as shown.

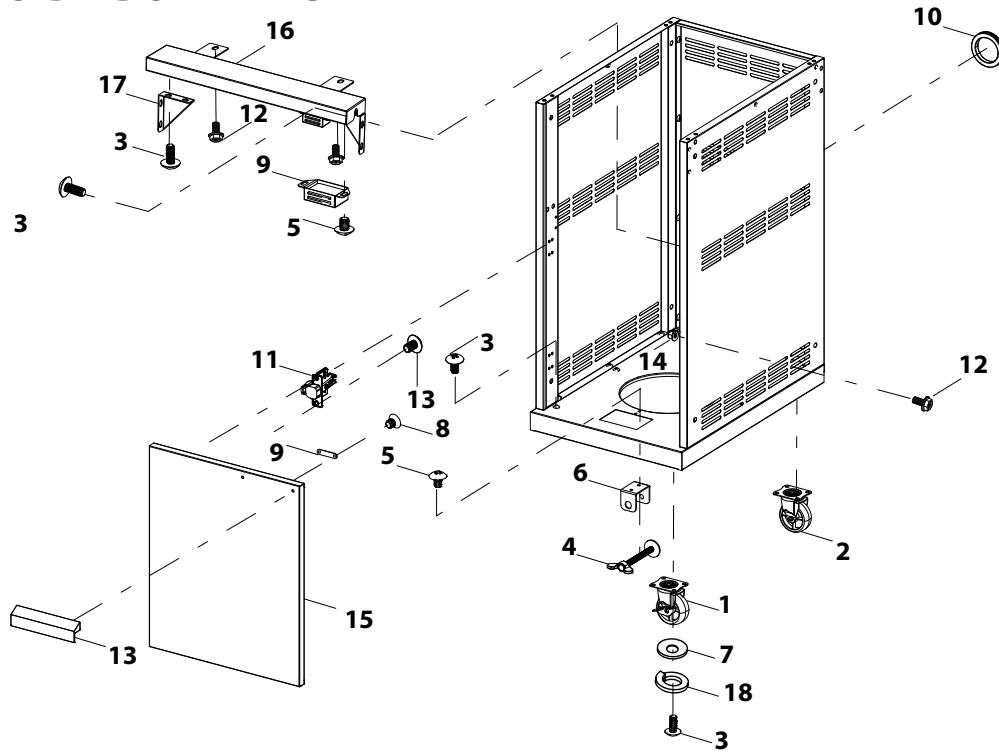
4

Secure Side Burner to Side Burner Cart by inserting two M6x12mm screw from the bottom. Hex Head Screws are provided with the Side Burner Cart.

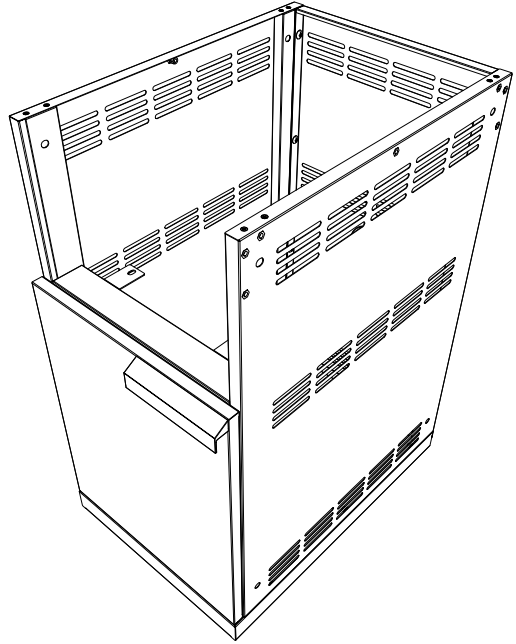


Spare Parts List

NEWAGE SIDE BURNER CART



S.No.	Eng. Part No.	Description	Qty	Spare Part SKU	Spare Part QTY
1.	H00550A-01	Cart Wheel With Lock	2	64974	1
2.	H00549A-01	Cart Wheel Without Lock	2	64975	1
3.	H00648A-01	Phillips Head Screw - M6X15L	42	64977	1
4.	H00551A-01	Wing Head Thumb Screw - M6 with Stop	1	64976	1
5.	H00357A-01	Phillips Head Screw - M4X10L	26	64978	1
6.	GLE-13.003A-01	Support Lock Plate	1	-	-
7.	H00646A-01	Plain Washer M6	16	-	-
8.	H00752A-01	M4 CSK Head Screw	18	64979	1
9.	H00542A-01	Door Magnet Lock & Lock Plate	1	64980	1
10.	GLE-13.009A-01	Cable Gormmet	1	64981	1
11.	H00594A-01	Door Hinge & Screw - M4X10L	2	64986	1
12.	H00532A-01	Phillips Hex Head Screw M6x12L	6	66514	1
13.	GLE-13.017A-01	Door Handle	1	64987	1
14.	H00614A-01	M6 Nut	4	64999	1
15.	GLE-16.007A-01	Side Burner Cart Door Assembly (without Hinges and Handle)	1	64994	1
16.	GLE-16.006A-01	Side Burner Cart - Support Panel Assembly	1	-	-
17.	GLE-16.008A-01	Support Bracket	2	-	-
18.	H00647A-01	Split Washer M6	16	-	-



NEWAGE CHARIOT POUR BRÛLEUR D'APPOINT

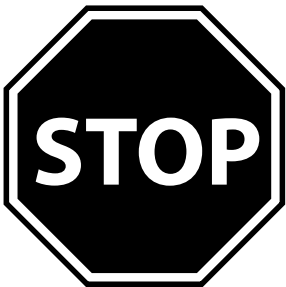
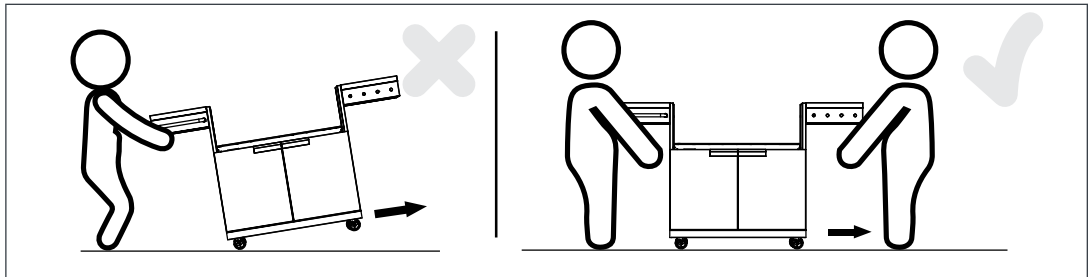
N° d'UGS 66961

GUIDE D'INSTALLATION ET MODE D'EMPLOI



Avertissement : Danger de charge excessive!

Pour éviter les blessures au dos, déplacez, assemblez et installez le chariot de grill avec l'aide de deux personnes ou plus. Ne laissez pas d'enfant sans surveillance près du grill ou des meubles.



ATTENTION: Votre chariot de grill est-il endommagé?

Vous avez besoin d'assistance ou de pièces de rechange? Pour obtenir un service plus rapide, contactez NewAge Products au 1 877 306-8930; ou écrivez à support@newageproducts.com.
Ne retournez pas ce produit au détaillant.

CE MANUEL D'INSTRUCTIONS CONTIENT DES RENSEIGNEMENTS IMPORTANTS POUR L'ASSEMBLAGE ADÉQUAT ET L'USAGE SÉCURITAIRE DE L'APPAREIL.

LISEZ ET SUIVEZ TOUS LES AVERTISSEMENTS ET TOUTES LES INSTRUCTIONS AVANT D'ASSEMBLER ET D'UTILISER L'APPAREIL. SUIVEZ TOUS LES AVERTISSEMENTS ET TOUTES LES INSTRUCTIONS LORS DE L'UTILISATION DE L'APPAREIL. SI CE PRODUIT N'EST PAS UTILISÉ DANS UN ENDROIT BIEN VENTILÉ, CELA POURRAIT ENTRAÎNER DES DOMMAGES MATÉRIELS, DES BLESSURES OU LA MORT.

Pour le manuel d'installation en ligne et les vidéos concernant ce produit, veuillez consulter notre centre d'assistance via : <https://NewAgeproducts.com/support-hub/>

Index

GARANTIE DU FABRICANT	3
Déballage	4
Inspection du produit	4
Outils requis	4
Pièces fournies	6
Installation des roulettes	7
Installation des panneaux latéraux	8
Installation du panneau arrière	9
Installation des supports et du panneau de support du chariot	10
Installation des portes du chariot	12
Raccord de deux chariots pour appareils (en option)	14
Installation d'un brûleur d'appoint sur un chariot pour brûleur d'appoint NewAge	19
Liste des pièces de rechange	21

GARANTIE DU FABRICANT POUR LE CHARIOT DE GRIL NEWAGE PRODUCTS INC.

UNE PREUVE D'ACHAT EST REQUISE POUR OBTENIR UN SERVICE SOUS GARANTIE.

Veuillez avoir les renseignements suivants lorsque vous appelez notre équipe du service à la clientèle :

- Le nom, l'adresse et le numéro de téléphone
- Le nom du produit / numéro d'UGS
- Une description claire et détaillée du problème
- Une preuve d'achat, y compris un numéro de commande

Enregistrez votre achat de produits NewAge en ligne pour obtenir une assistance à la clientèle plus rapide et un accès à des avantages exclusifs

Visitez www.newageproducts.com/register/

Réclamation sous garantie

Pour un service sous garantie, veuillez contacter NewAge Products au **1 877 3068930**; ou écrivez à support@newageproducts.com.

Veuillez consulter tous les détails de la garantie ci-dessous, avant de contacter NewAge Products pour une réclamation.

Balayez le code à barres 2D à droite pour accéder à la page d'assistance ou visitez www.newageproducts.com/contact-us/



Balayez ce code à barres 2D avec la caméra de votre téléphone mobile pour visiter le Centre d'assistance de NewAge Products www.newageproducts.com/support-hub/

GARANTIE LIMITÉE

NewAge est fière d'offrir une garantie complète du produit pour une période de (cinq ans à partir de la date d'achat). Sous réserve des limitations et des exclusions de responsabilité énoncées ci-dessous ou dans toute autre documentation relative au produit, NewAge fournit les garanties supplémentaires suivantes au client initial;

Durée de la garantie	Articles couverts par la garantie	Coût pour NewAge	Coût pour le client
2 ans	Roulettes et charnières	Matériaux	Expédition
5 ans	Construction générale du chariot	Matériaux	Expédition

CE QUI EST COUVERT

Pendant la durée de la garantie à compter de la date d'achat, lorsque ce produit est installé, utilisé et entretenu conformément aux instructions fournies, NewAge Products Inc. remplacera les pièces ou le produit défectueux, si le bris provient d'un défaut de matériau ou de fabrication.

CE QUI N'EST PAS COUVERT

1. Les appels de service pour corriger l'installation de tout produit NewAge ou pour vous montrer comment l'utiliser ou l'installer.
2. Les dommages résultant des produits causés par un accident, une mauvaise utilisation, un abus, un incendie, une inondation, une installation inadéquate, un cas fortuit, une négligence, une modification ou une mauvaise manipulation.
3. Les produits endommagés en raison d'une charge supérieure au poids maximum précisé dans les instructions fournies avec le produit.
4. Les réparations ou le remplacement lorsque votre produit est utilisé pour un usage autre que résidentiel normal, comme dans un milieu commercial, ou manipulé d'une manière incohérente avec les instructions d'installation comprises avec le produit.
5. Des dommages cosmétiques qui se produisent après l'achat du produit par le client, y compris les éraflures, les entailles, la corrosion ou les taches sur le matériau qui n'affecte pas la capacité fonctionnelle ou structurelle du produit.
6. Les surfaces endommagées en raison d'un usage inadéquat de produits chimiques et de détergents.
7. La décoloration due à la chaleur élevée, par exemple à côté d'un gril, est une caractéristique de l'acier inoxydable.
8. De la rouille de surface
9. résultant des pluies acides ou de produits chimiques dans l'environnement
10. Les pièces de rechange pour des produits NewAge à l'extérieur du Canada et des États-Unis.
11. Une perte en raison d'un vol.
12. Des dommages résultant d'une utilisation contraindiquée du produit et non conforme au manuel d'instructions.
13. Tout coût de main-d'œuvre pendant la période de garantie.

L'acier inoxydable 304 utilisé dans la construction des meubles de cuisine extérieures NewAge est très résistant à la rouille. Cependant, le chlore présent dans l'air émanant des piscines ou le sel de l'air marin peuvent provoquer l'apparition de rouille en surface et même créer une certaine corrosion par piqûres s'ils restent sur le produit. Nous vous suggérons de nettoyer toutes les surfaces en acier inoxydable au moins toutes les deux semaines afin de maintenir vos meubles en bon état. La réaction chimique du sel est facile à empêcher, mais elle est plus difficile lorsqu'il reste à la surface.

EXCLUSION DE GARANTIES IMPLICITES

LES GARANTIES IMPLICITES, Y COMPRIS, DANS LA MESURE OÙ CELA EST APPLICABLE, LES GARANTIES DE QUALITÉ MARCHANDE OU DE CONFORMITÉ À UN USAGE PARTICULIER, SONT EXCLUES DANS LA LIMITE OÙ LA LOI LE PERMET. TOUTE GARANTIE IMPLICITE QUI POURRAIT ÊTRE IMPOSÉE PAR LA LOI DOIT SE LIMITER À UN AN, OU À LA PÉRIODE LA PLUS COURTE PERMISE PAR LA LOI. CETTE GARANTIE SE LIMITE À L'ACHETEUR D'ORIGINE. Certains États ainsi que certaines provinces ne permettent pas les limitations sur la durée d'une garantie implicite de qualité marchande ou de conformité, il est donc possible que les limitations ci-dessus ne s'appliquent pas à vous. Cette garantie vous donne des droits légaux particuliers et vous pourriez également disposer d'autres droits variant selon l'État ou la province.

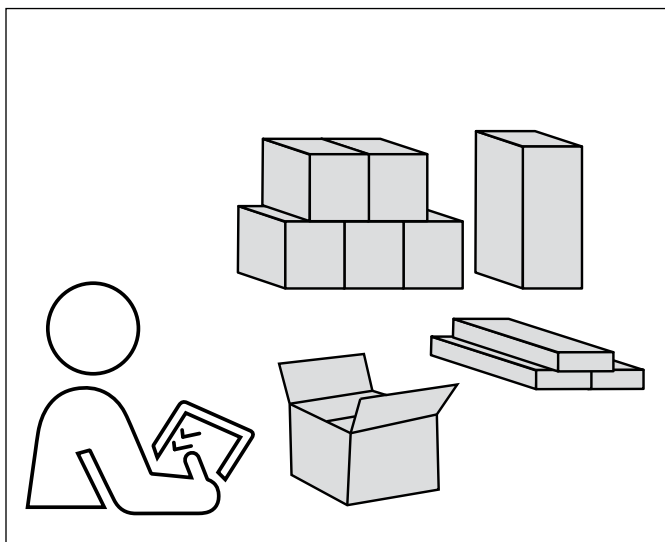
LIMITATION DES RECOURS; EXCLUSION DES DOMMAGES ACCESSOIRES ET INDIRECTS

EN VERTU DE CETTE GARANTIE LIMITÉE, VOTRE SEUL ET UNIQUE RECOURS DOIT ÊTRE LA RÉPARATION OU LE REMPLACEMENT DU PRODUIT, À NOTRE DISCRÉTION, COMME INDIQUÉ AUX PRÉSENTES. NEWAGE NE DOIT PAS ÊTRE TENU RESPONSABLE DES DOMMAGES ACCESSOIRES ET INDIRECTS. Certains États ainsi que certaines provinces ne permettent pas l'exclusion ou la limitation des dommages accessoires ou indirects, il est par conséquent possible que ces limitations et exclusions ne s'appliquent pas à vous. Cette garantie vous donne des droits légaux particuliers et vous pourriez également disposer d'autres droits variant selon l'État ou la province.

Déballage

- Commencer par placer l'emballage sur une surface plane couverte.
- Retirez tout le carton, les matériaux d'emballage en mousse et les sacs en nylon;
- Mettez au rebut/recyclez tous les matériaux d'emballage.
- Vérifiez l'ensemble du contenu de la boîte et réunissez les outils nécessaires. Consultez la section « Outils requis » dans la liste ci-dessous.

Inspection du produit

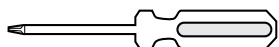


- Assurez-vous d'avoir reçu toutes les pièces conformément à la commande que vous avez passée.
- S'il manque des pièces, contactez NewAge Products au 1 877 306-8930.
- Avant de commencer l'installation, inspectez les produits pour y déceler tout dommage.
- Lisez attentivement les instructions d'installation avant de commencer l'installation.

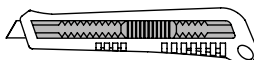
NOTES IMPORTANTES

- Deux personnes ou plus sont nécessaires pour installer les chariots pour appareils illustrés dans ce manuel d'installation.
- Les illustrations présentées dans ce manuel d'installation le sont à des fins de représentation uniquement. Les dimensions réelles des pièces fournies dans le paquet peuvent être d'apparence légèrement différentes. L'aspect des dimensions de la visserie est agrandi pour faciliter la compréhension du consommateur.

Outils requis



1 x #2 Phillips head screwdriver

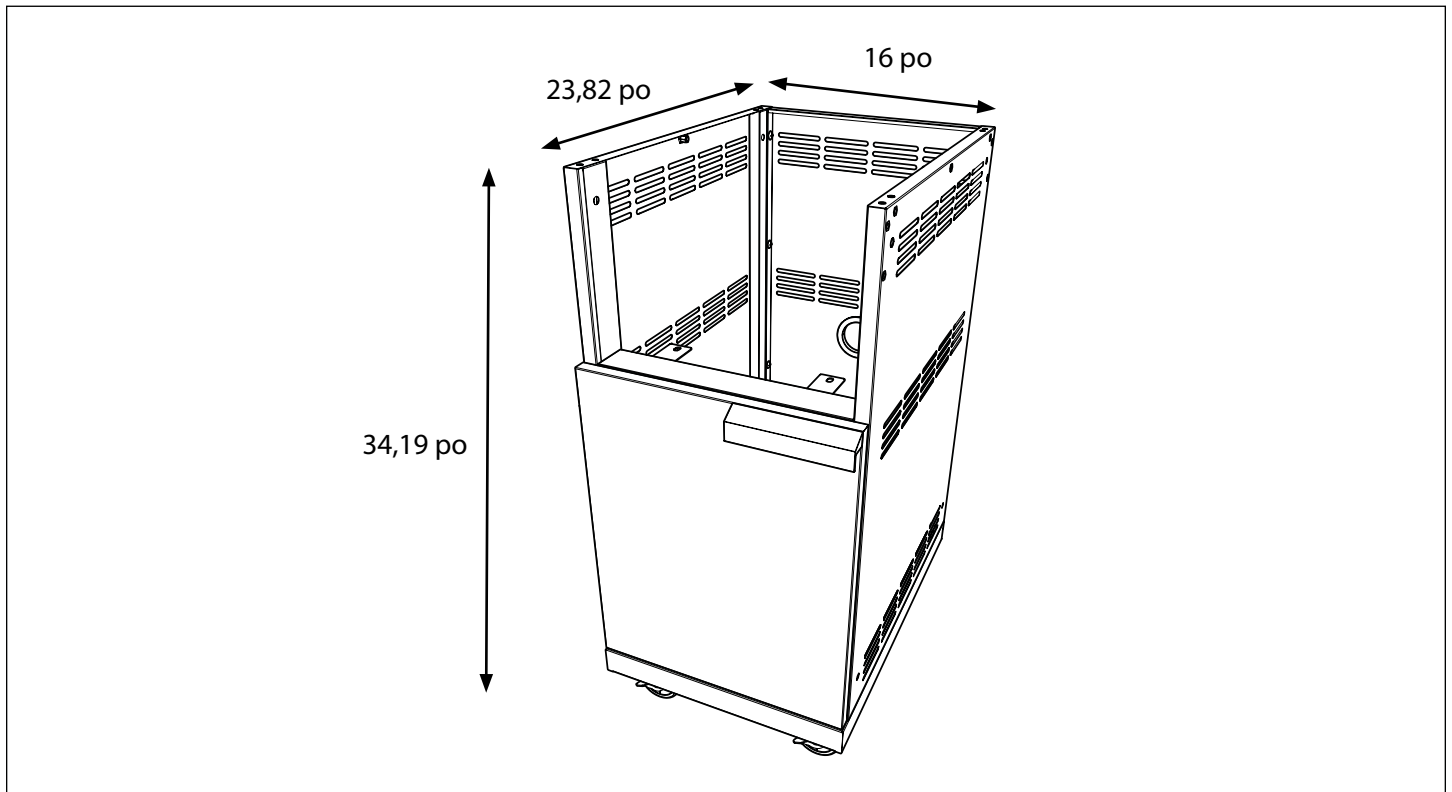


1 x Box Cutter



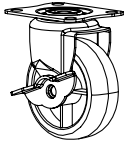
2 x 6mm Open Wrench

Spécifications du produit

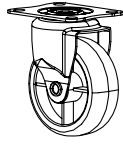


**Chariot pour brûleur d'appoint
NewAge**

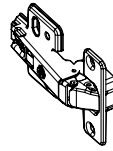
Pièces fournies



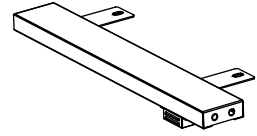
2x roue de chariot
(avec verrou)



2x Roue de chariot
(sans verrou)

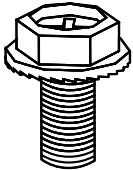


2x Charnière de
porte

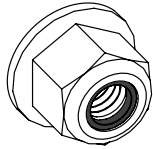


1x Panneau de support
de chariot

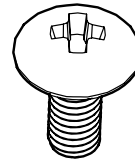
Visserie



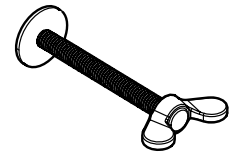
6x Vis à tête hexagonale
- M6x12mm
(fournies avec le Appareil)



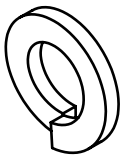
4x Écrou a bride M6



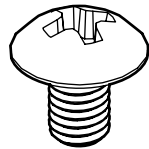
16x Vis à tête Phillips-
M4X10L



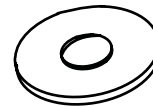
1x Vis de serrage à main
à oreilles - M6 avec
butée
(pré-installée)



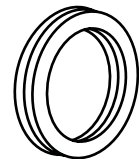
16x Rondelle fendue M6



36x Vis à tête
Phillips - M6x15L



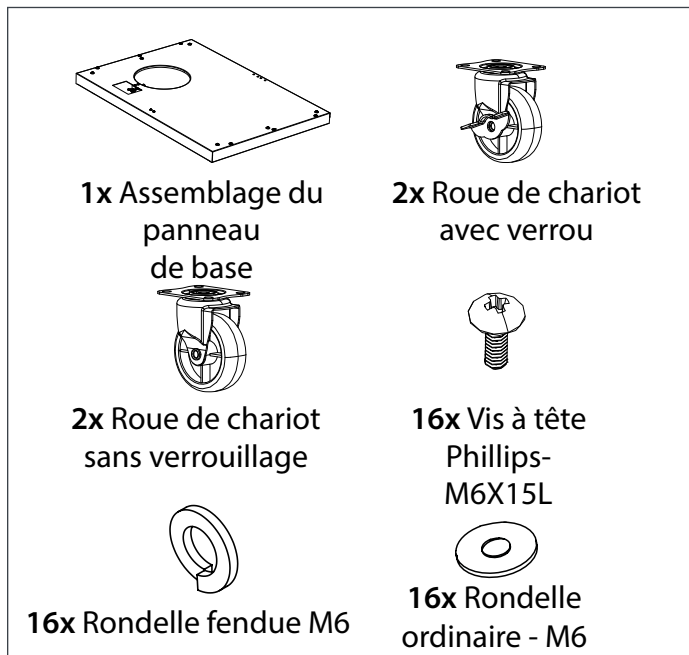
16x Rondelle
ordinaire - M6



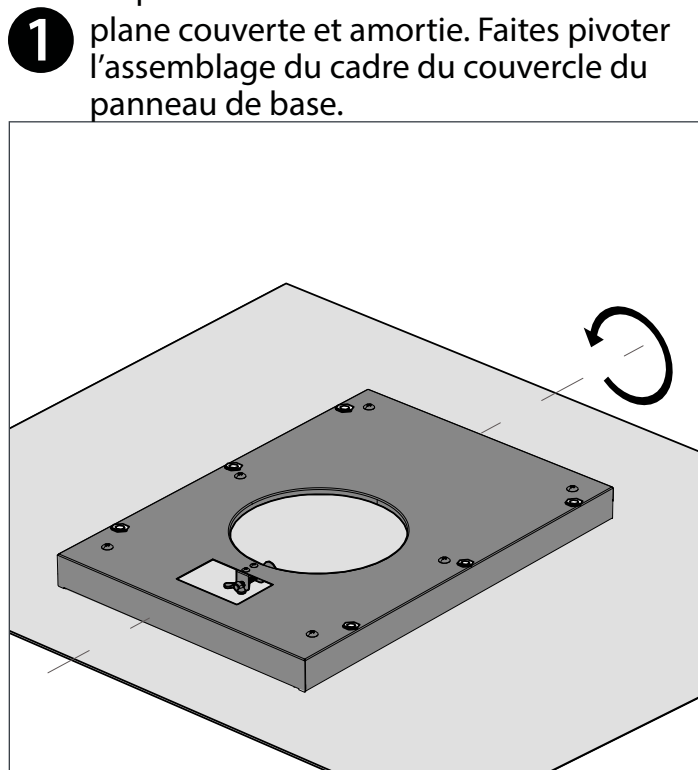
1x L'œillet en
caoutchouc

Installation des roulettes

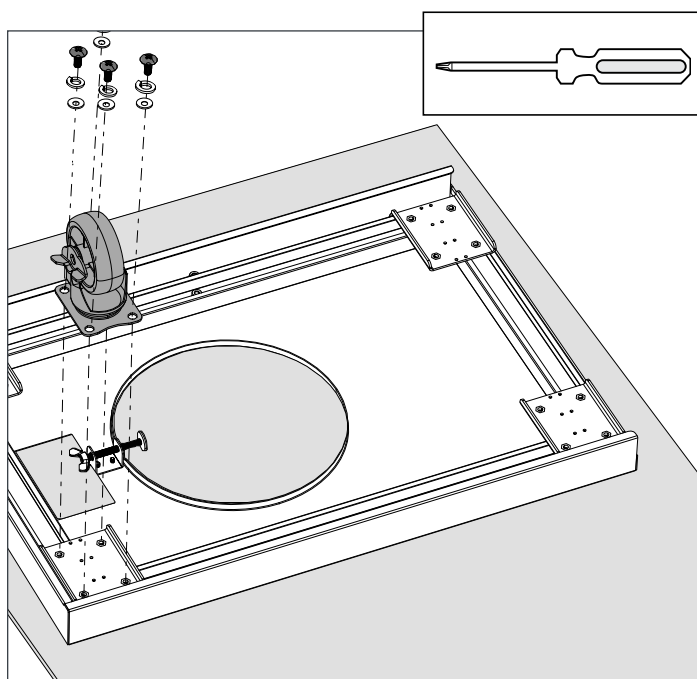
i Pièces requises.



Commencez par placer l'assemblage du panneau de base sur une surface plane couverte et amortie. Faites pivoter l'assemblage du cadre du couvercle du panneau de base.

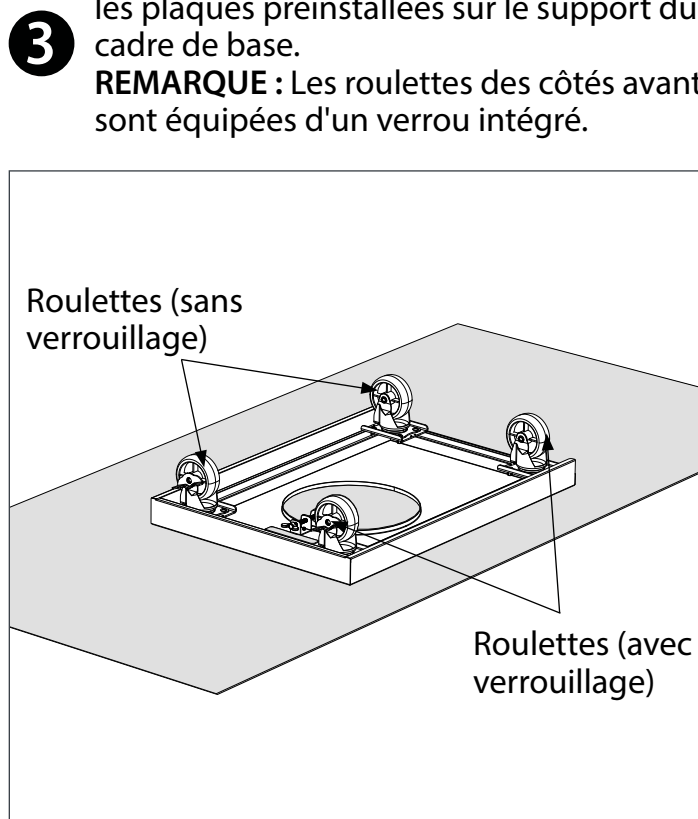


2 À l'aide d'un tournevis, alignez la face avant de la roulette avec le support, puis serrez la vis à tête Phillips et les rondelles fendues comme indiqué.



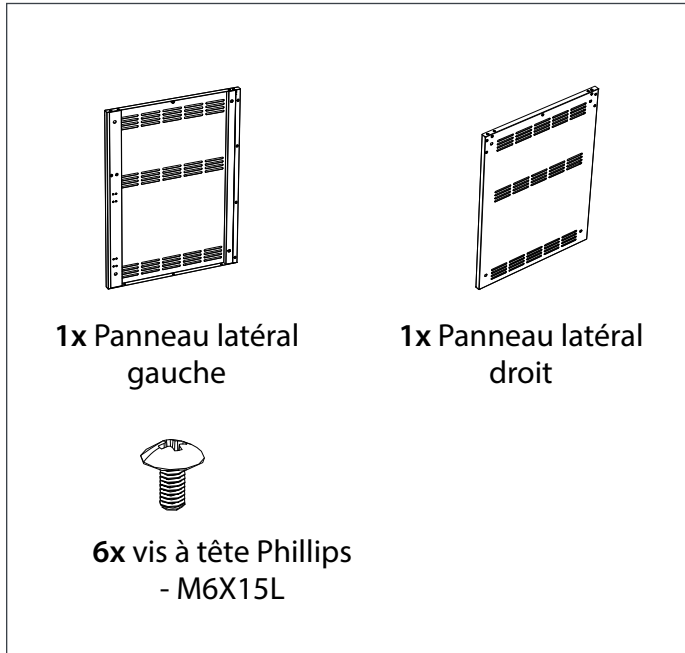
Répétez et installez les roulettes sur toutes les plaques préinstallées sur le support du cadre de base.

REMARQUE : Les roulettes des côtés avant sont équipées d'un verrou intégré.

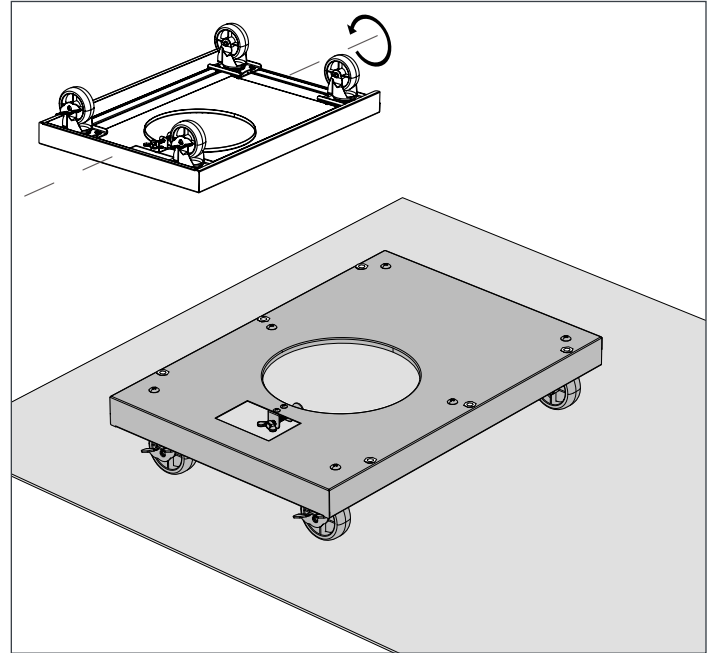


Installation des panneaux latéraux

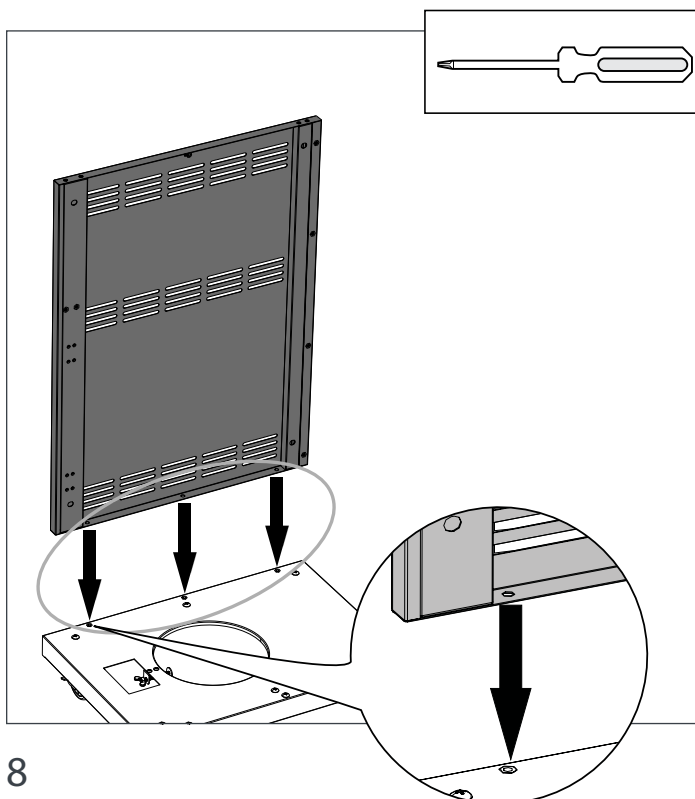
i Pièces requises.



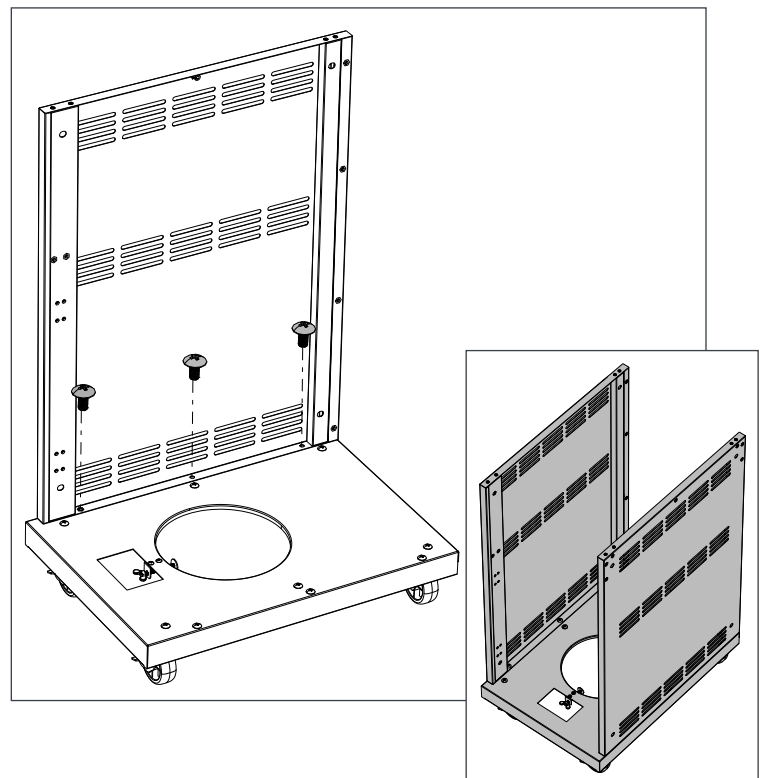
1 Tournez l'assemblage du panneau de base vers la position indiquée.



2 Placez maintenant les trous de la vis de l'assemblage du panneau latéral gauche sur les écrous rivetés de l'assemblage du panneau de couvercle du cadre de base.

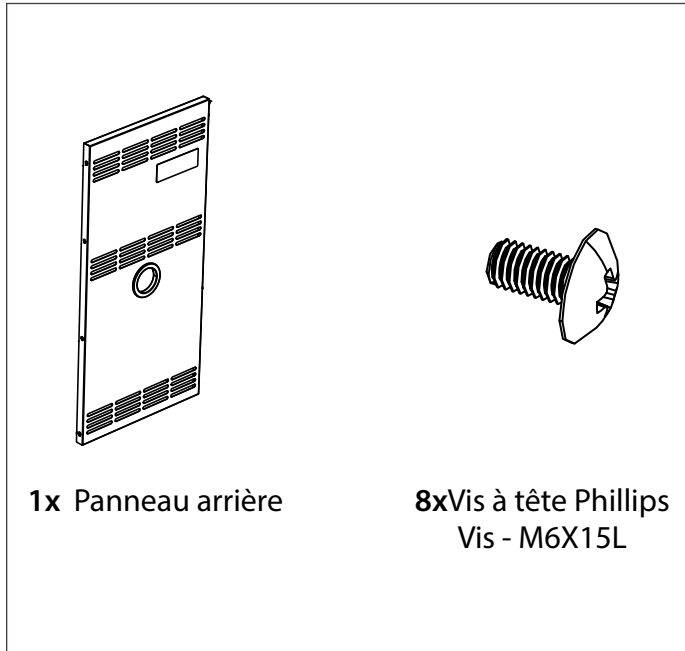


3 Serrez les trois vis à tête Phillips comme indiqué. Répétez les mêmes étapes et installez les assemblages du panneau latéral droit.

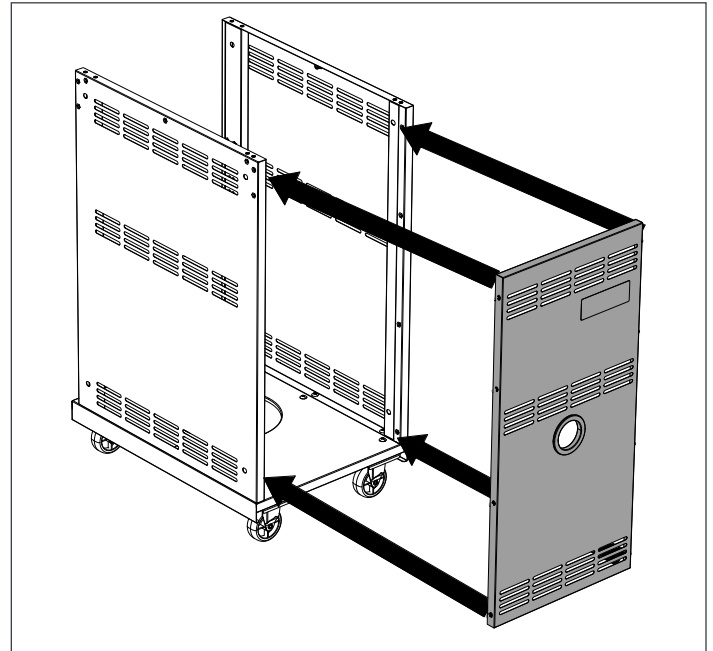


Installation du panneau arrière

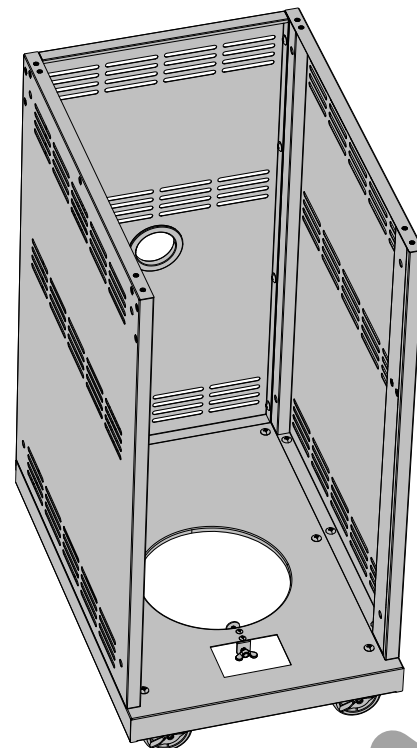
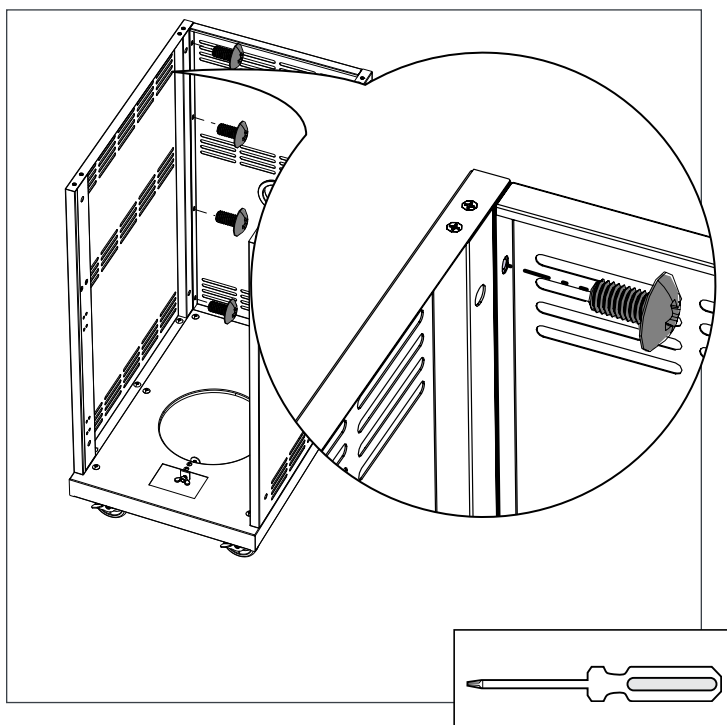
i Pièces requises.



1 Placez l'assemblage du panneau arrière sur le cadre de base avec le support des panneaux latéraux comme indiqué. **REMARQUE :** Gardez l'emprise sur le panneau intérieur. jusqu'à ce qu'il soit vissé sur les panneaux latéraux.

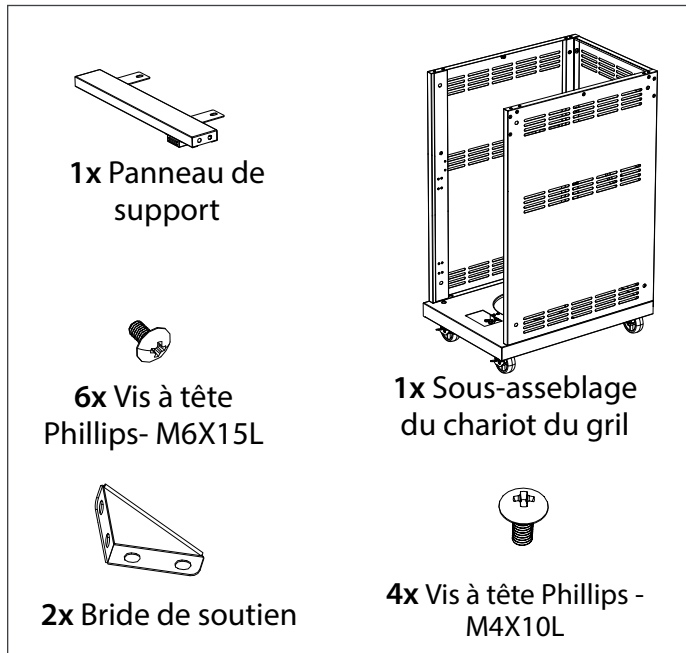


2 Faites correspondre les trous du panneau latéral gauche, et serrez les quatre vis à tête Phillips comme indiqué. Répétez les étapes similaires et installez la vis à tête Phillips dans l'assemblage du panneau latéral droit.

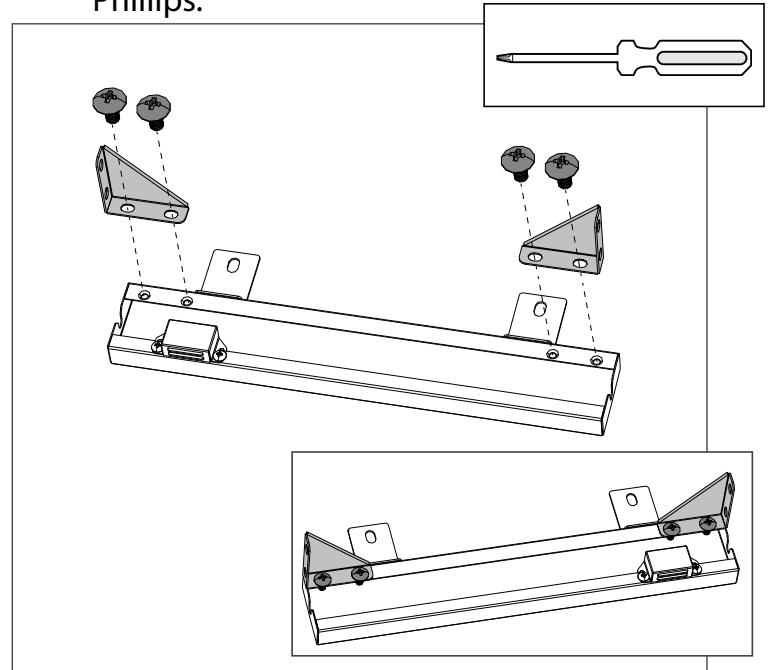


Installation des supports et du panneau de support du chariot

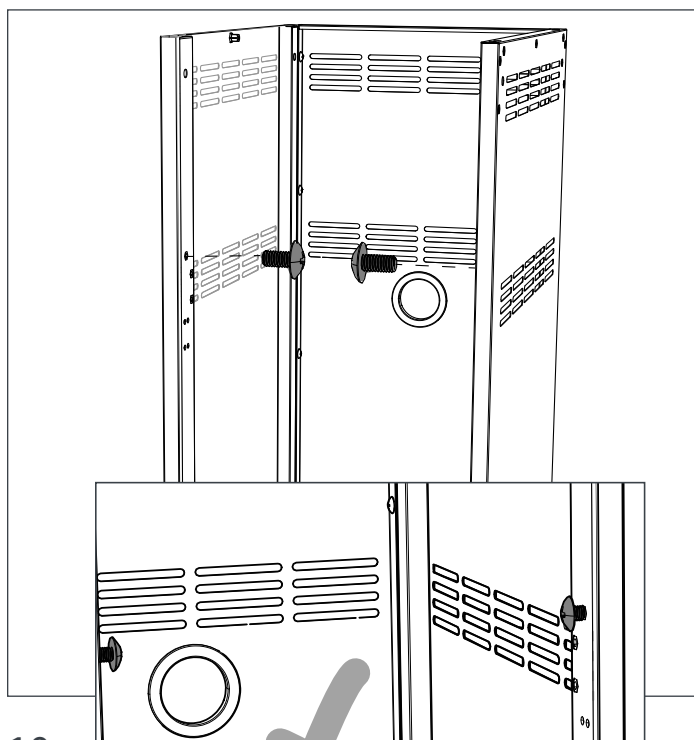
i Pièces requises.



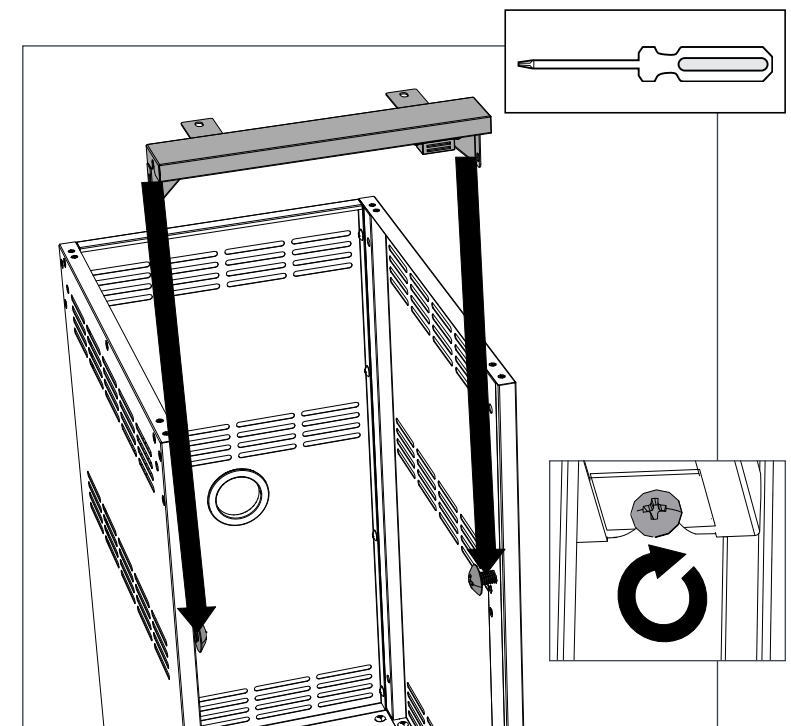
1 Placez la bride de soutien à l'endroit indiqué sur le panneau de support. À l'aide d'un tournevis, serrez la vis à tête Phillips.



2 Serrez préalablement les vis à tête Phillips pour installer le panneau de support. Ne les installez pas encore complètement.

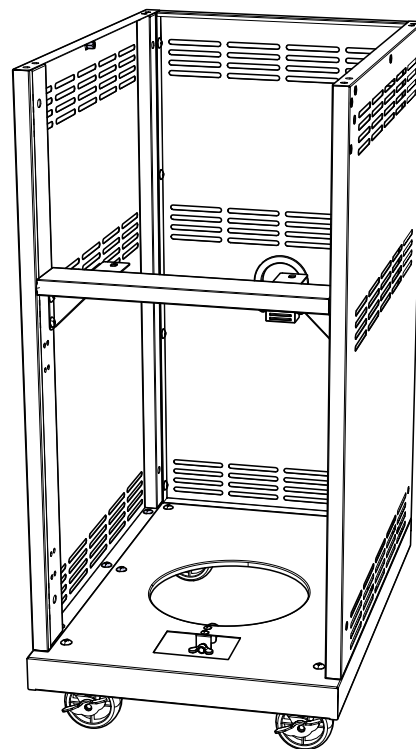
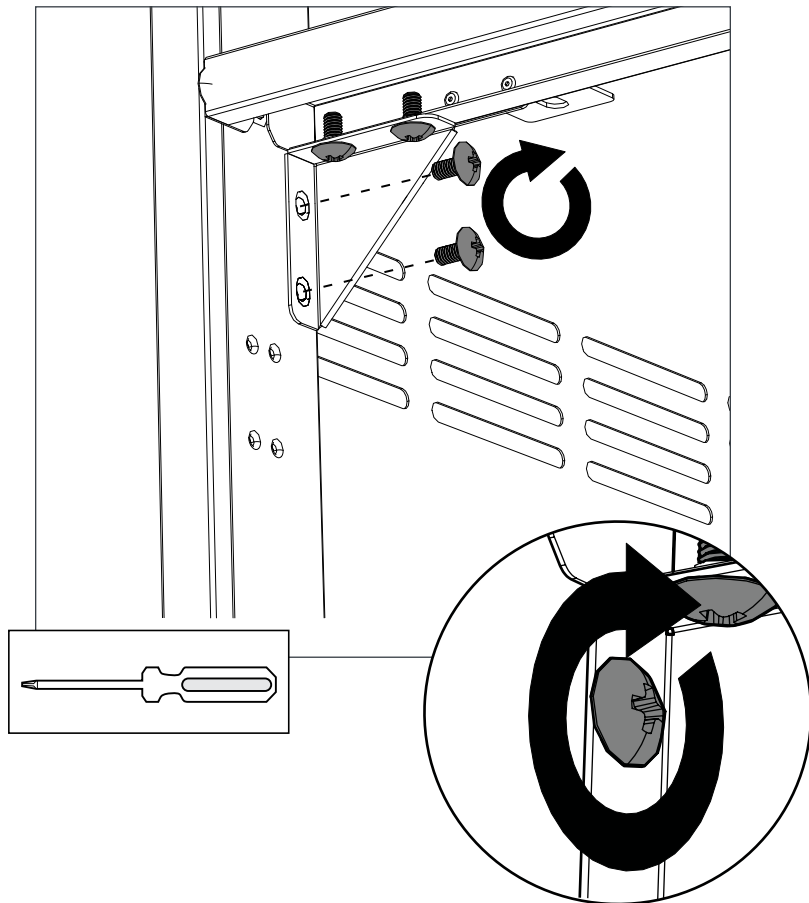


3 Placez maintenant l'assemblage du panneau de support sur les vis à tête Phillips partiellement serrées. Serrez ensuite la vis à tête Phillips à l'aide d'un tournevis.



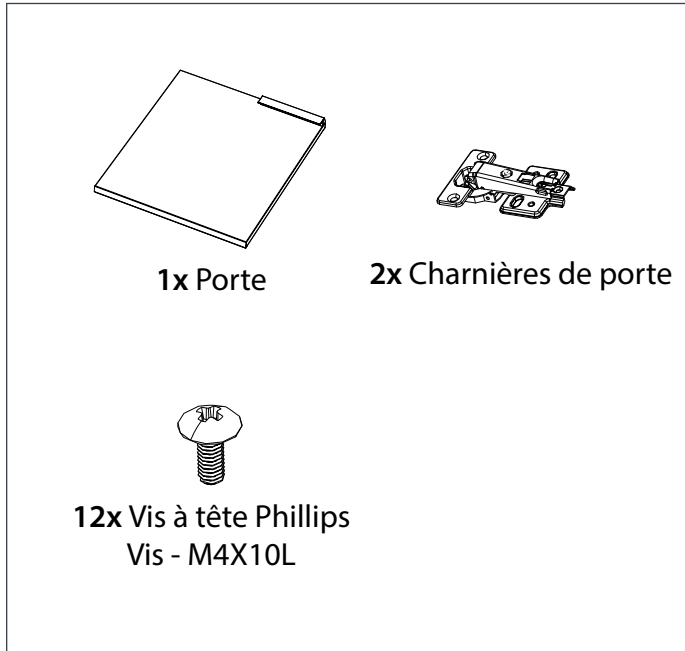
Installation des supports et du panneau de support du chariot

- 4** Serrez la vis à tête cruciforme et fixez le support. Répétez les mêmes étapes pour le support de l'autre côté.

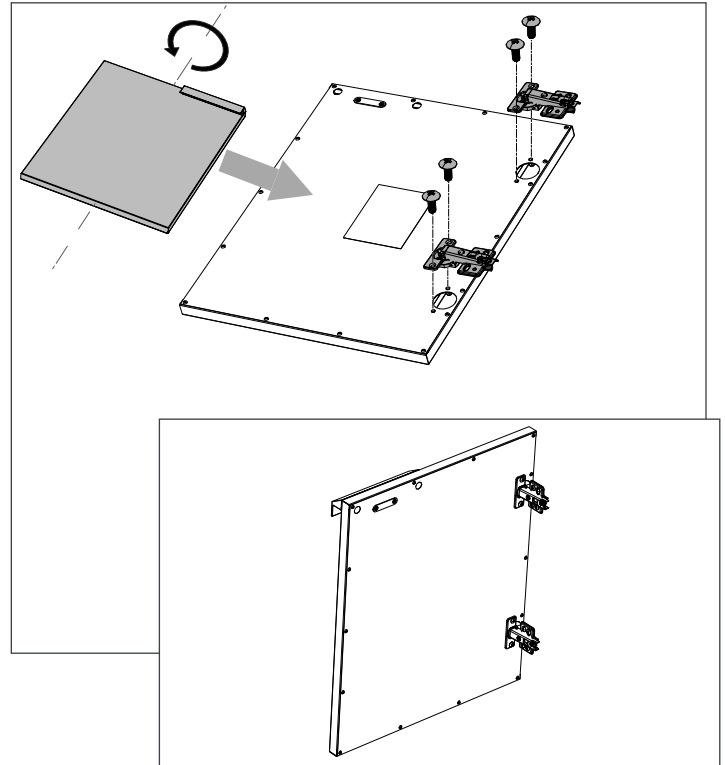


Installation des portes du chariot

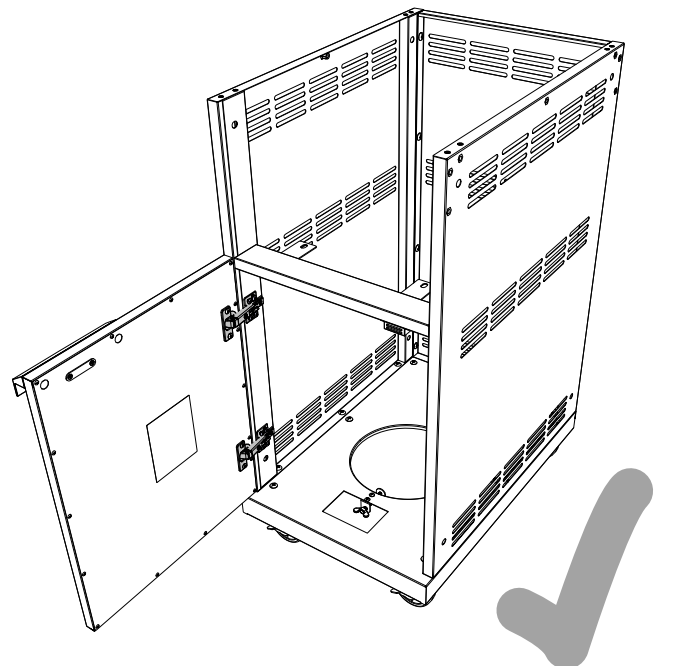
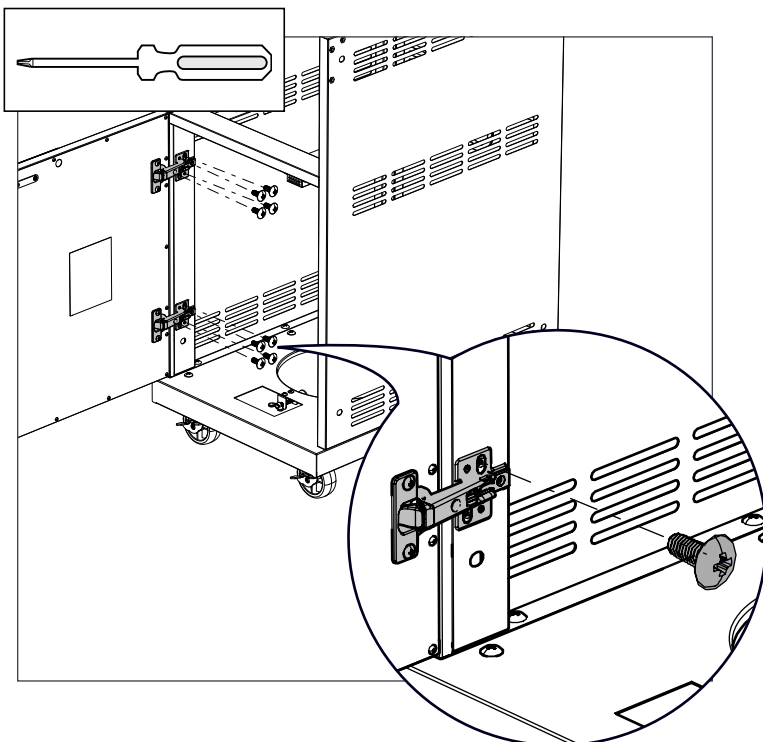
i Pièces requises.



1 Retournez l'assemblage de la porte. Placez les charnières sur les écrous rivetés de la porte comme indiqué et installez la vis à tête Phillips.



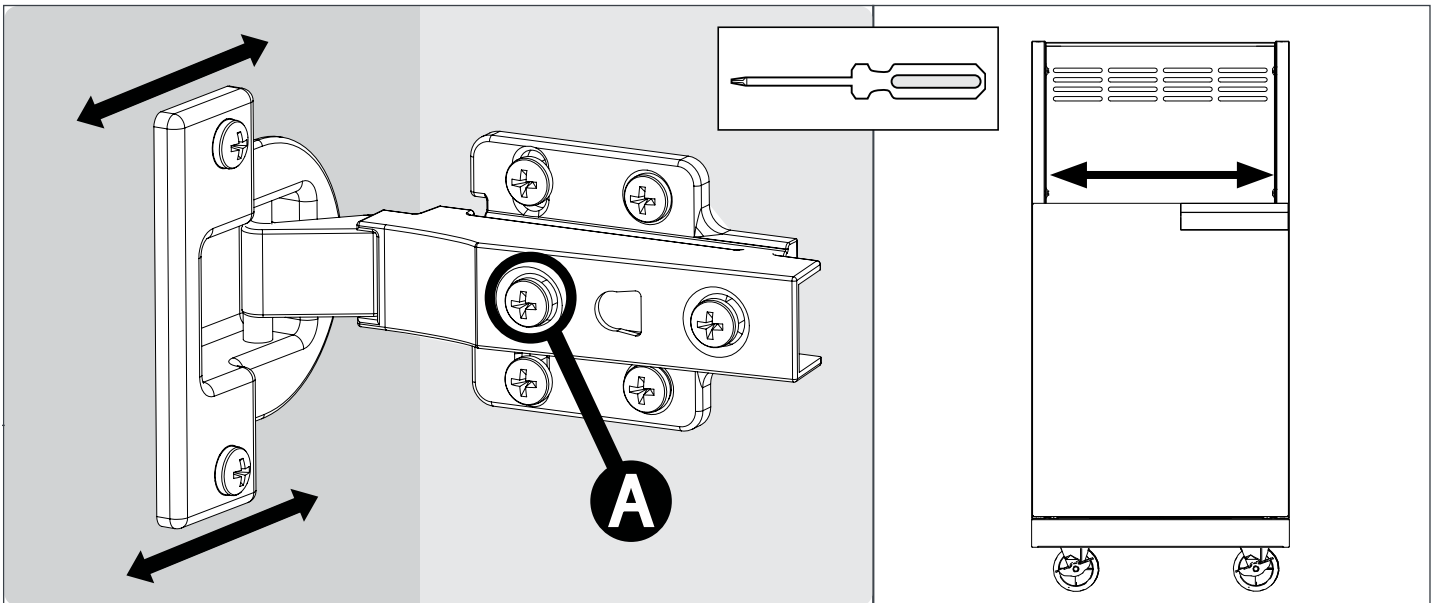
2 Alignez les charnières avec le montant vertical droit, des trous de rivets y sont prévus. Serrez la vis à tête Phillips comme indiqué ci-dessous.



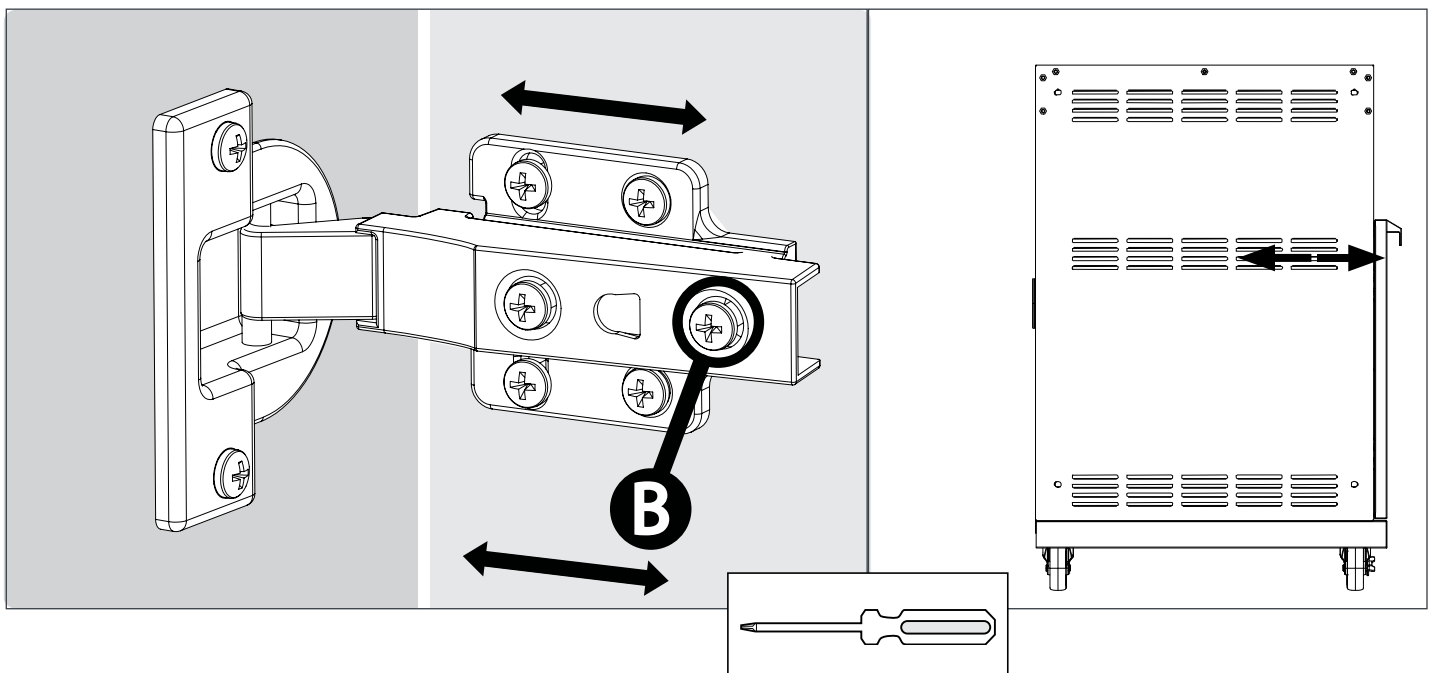
Ajustement des charnières de porte

Les portes peuvent être réglées à l'aide d'un tournevis Phillips : Gauche, droite, avant et arrière.

- 1** Pour régler les portes vers la gauche ou la droite, tournez la vis (A) dans le sens horaire ou antihoraire.



- 2** Pour régler l'écart entre les portes et le cadre, tournez la vis (B) dans le sens horaire ou antihoraire.

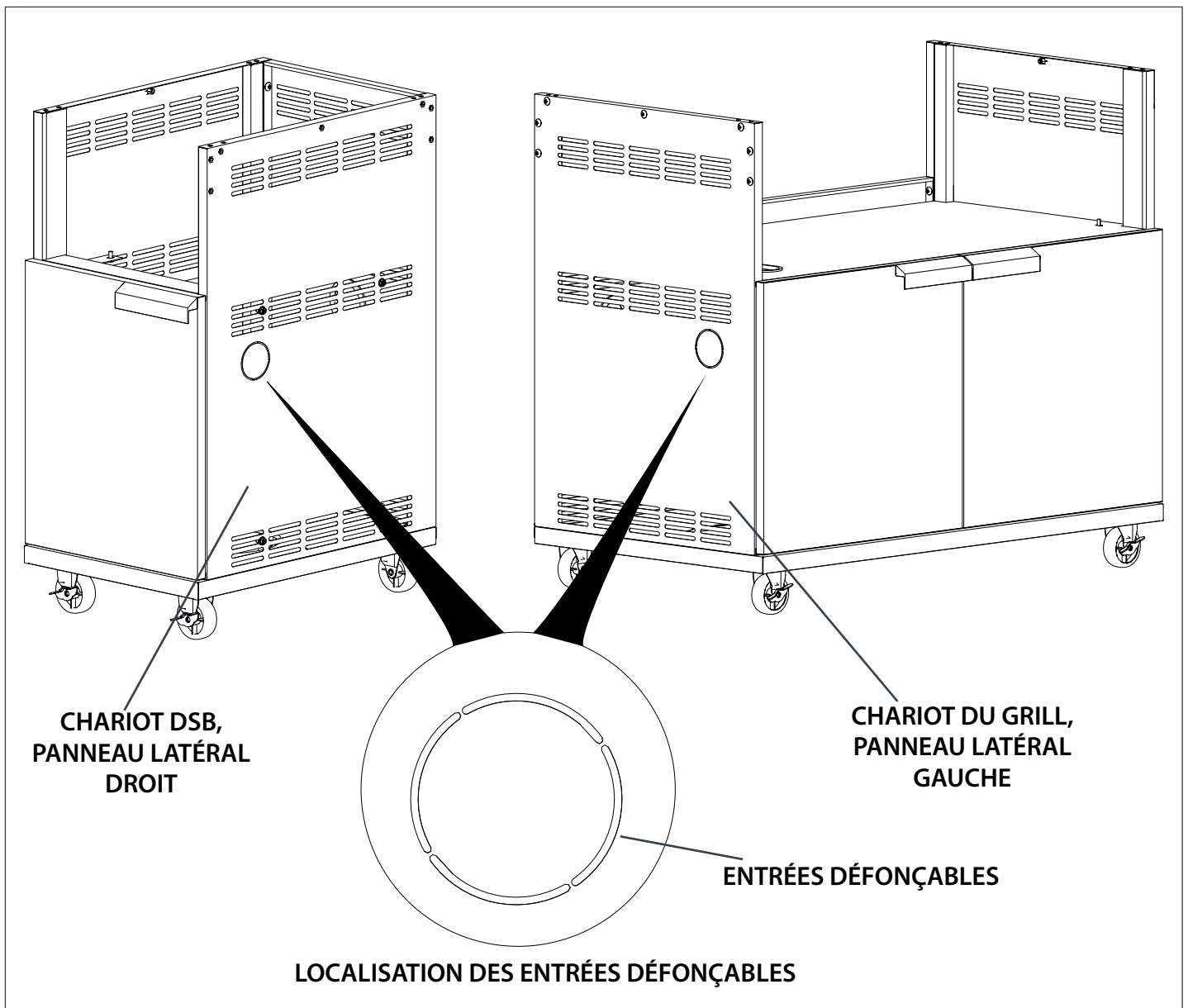


Raccord de deux chariots pour appareils (en option)

REMARQUES IMPORTANTES

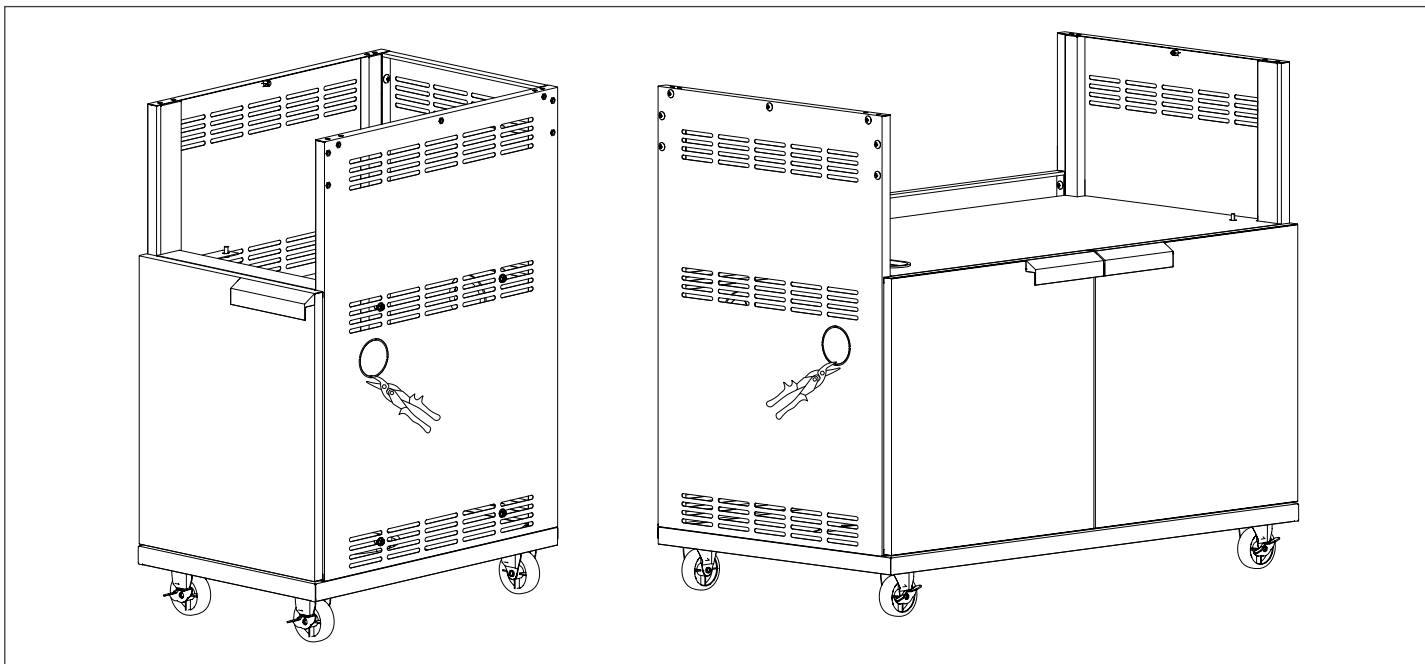
- Le chariot des brûleurs latéraux doit être sur le côté gauche du chariot du grill

- 1 Localisez le trou pré-percé sur le panneau latéral droit de l'armoire DSB et sur le panneau latéral gauche de l'armoire du grill pour passer à travers les raccords de tuyau de gaz.



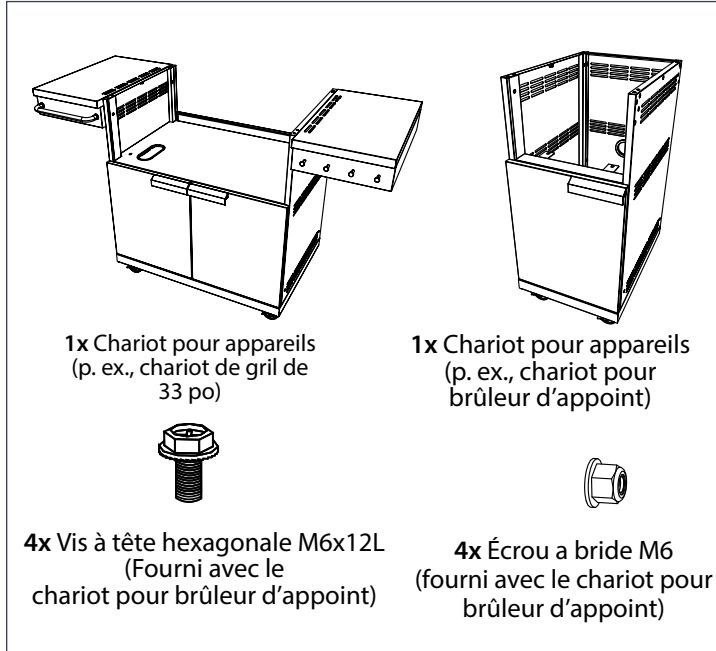
Raccord de deux chariots pour appareils (en option)

- 2** À l'aide de pinces coupantes, coupez de petites bandes pour libérer les entrées défonçables sur le panneau latéral droit de l'armoire DSB et le panneau latéral gauche de l'armoire du grill

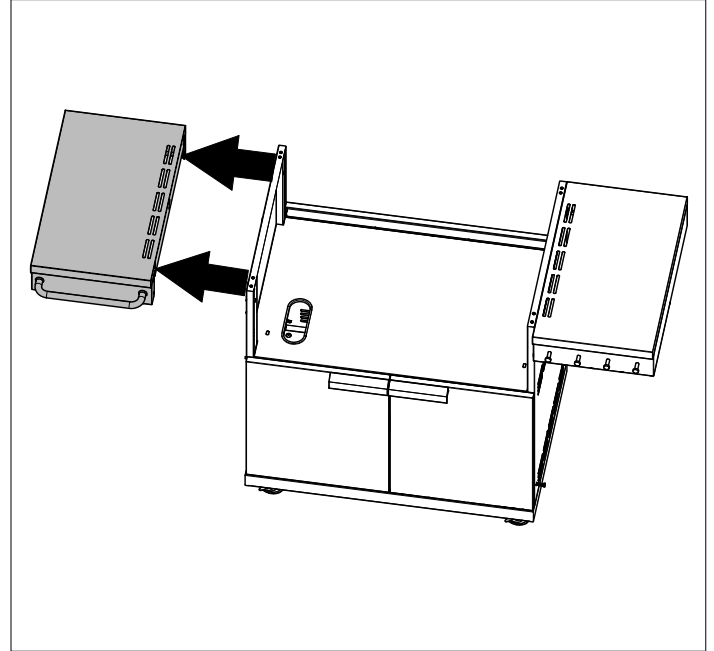


Raccord de deux chariots pour appareils (en option)

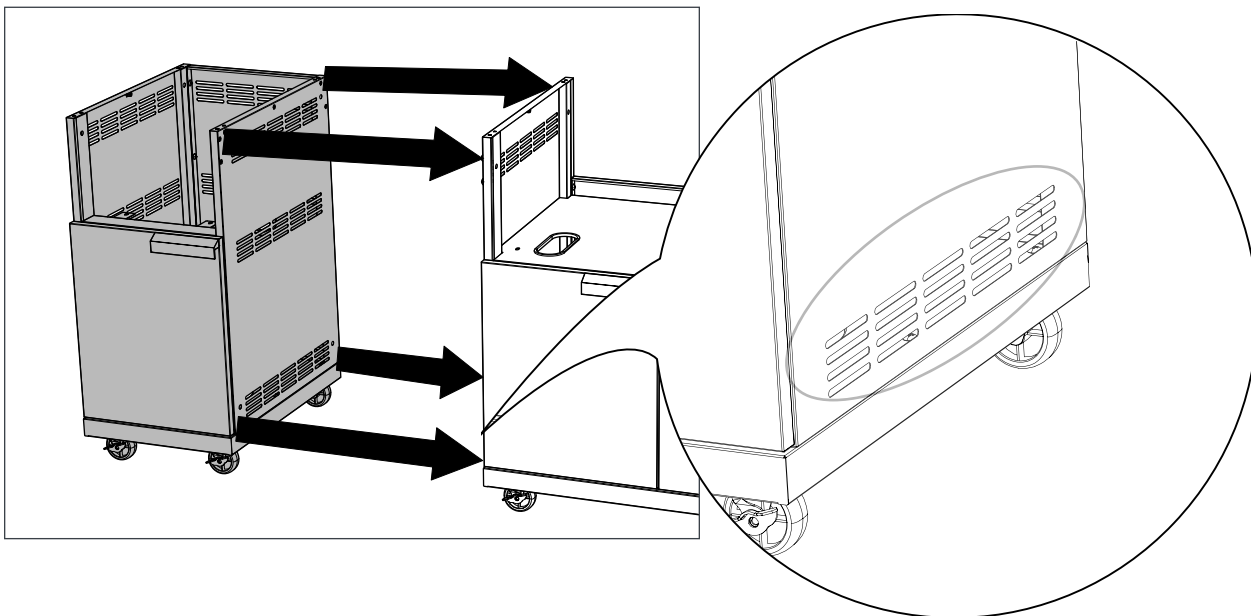
i Pièces requises.



3 Dévissez la vis à tête Phillips et démontez l'ensemble de la table d'appoint gauche.

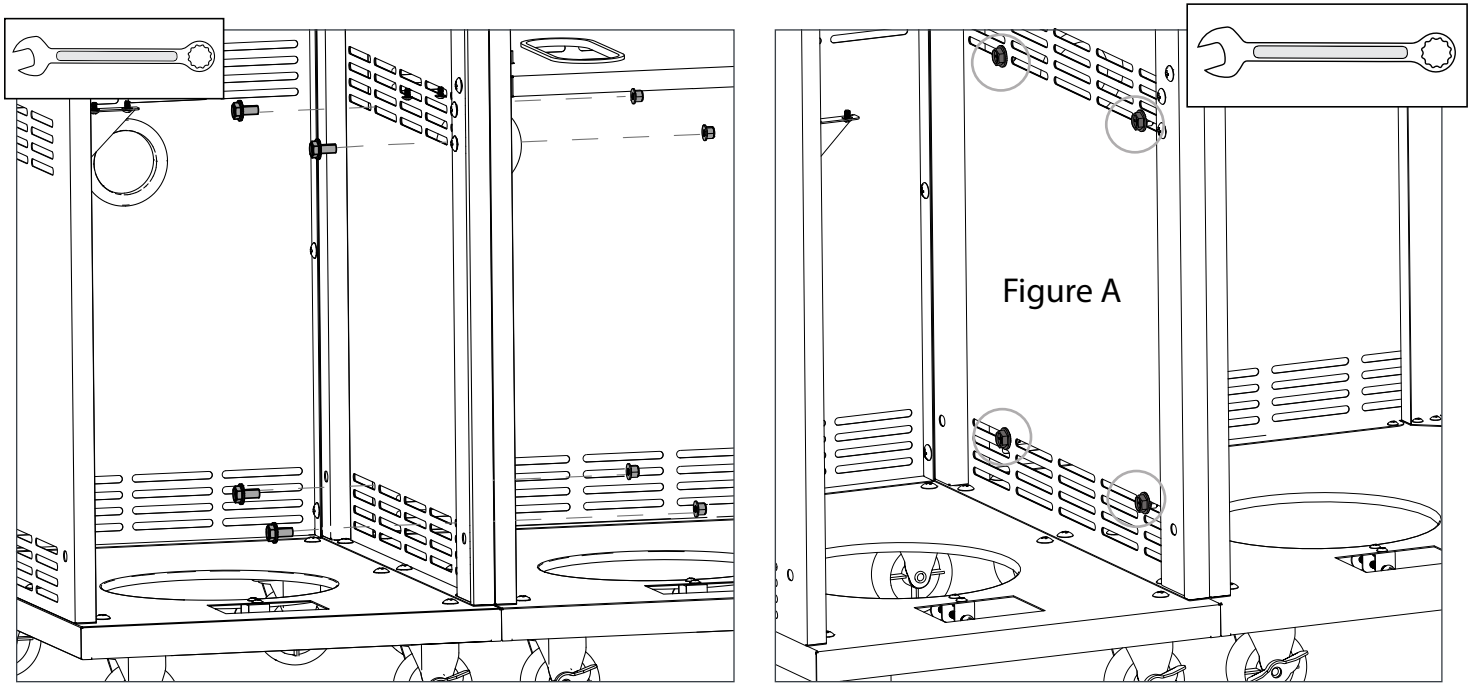


4 Rapprochez les chariots par rapport aux panneaux latéraux, comme illustré. Alignez ensuite les découpes des fentes (reportez-vous aux découpes des fentes en surbrillance ci-dessous).

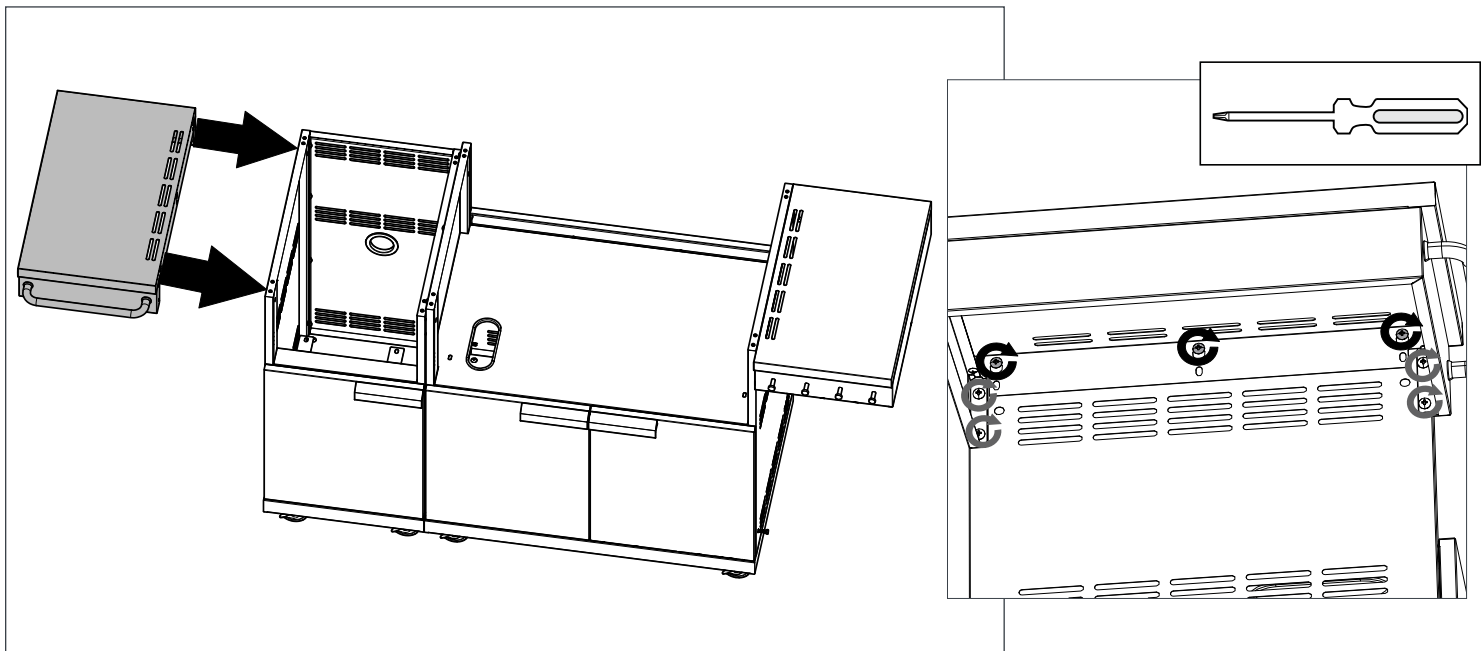


Raccord de deux chariots pour appareils (en option)

- 5** Ouvrez les portes des chariots et maintenez-les ouvertes jusqu'à ce que le reste de l'installation soit terminé. Insérez maintenant le boulon à travers les trous d'aération donnés dans les panneaux latéraux des chariots, puis serrez-le à l'aide d'écrous. Répétez cette étape pour installer les écrous et les boulons sur les quatre emplacements. Reportez-vous à la figure A.



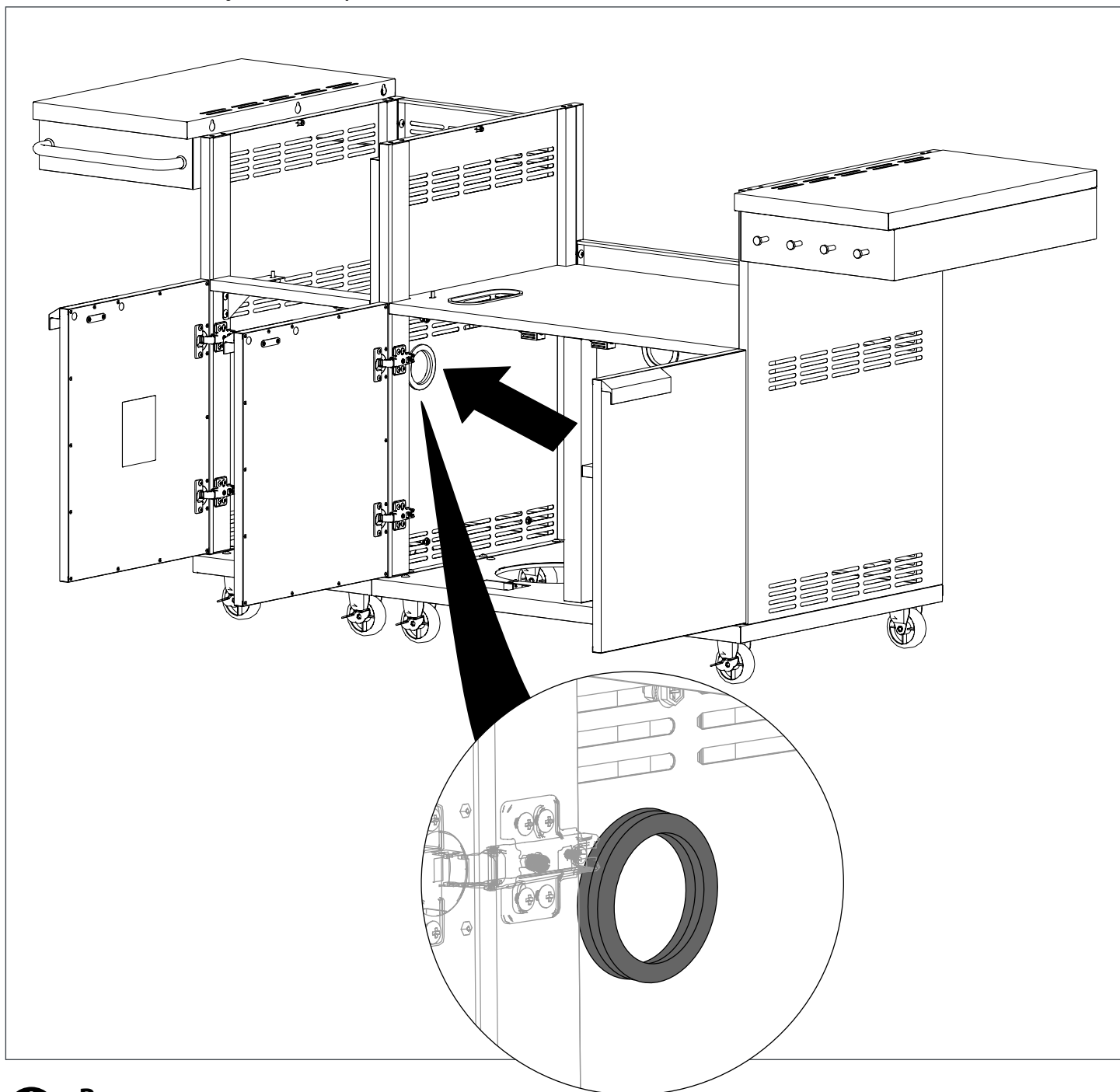
- 6** Fermez maintenant les portes du chariot. Réinstallez l'ensemble de table d'appoint LH sur l'Ensemble de Chariot de brûleur latéral en le vissant au même endroit sur le Chariot de brûleur latéral.



Raccord de deux chariots pour appareils (en option)

- 7** Insérez un œillet en caoutchouc sur les entrées défonçables pour protéger le tuyau de gaz de toute coupure ou dommage et pour éviter toute fuite de gaz due à l'abrasion du tuyau de gaz.

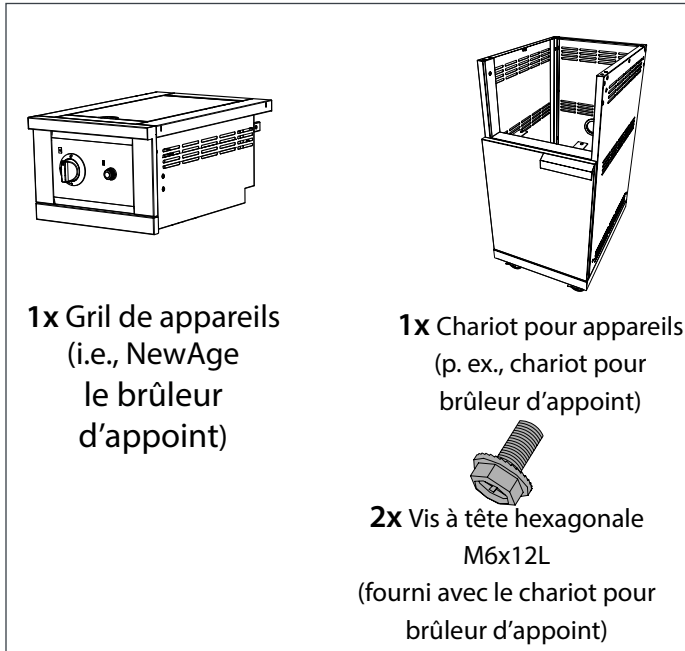
REMARQUE : Poussez l'œillet en caoutchouc de manière à ce qu'il recouvre les deux entrées défonçables des panneaux latéraux.



- i Remarque :** L'œillet en caoutchouc est fourni avec le chariot du brûleur latéral placé à l'intérieur de la boîte de quincaillerie.

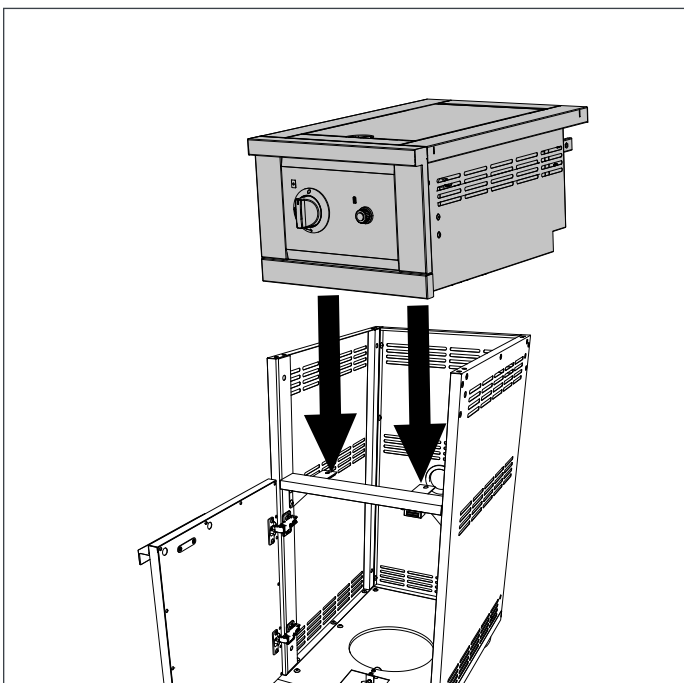
Installation d'un brûleur d'appoint sur un chariot pour brûleur d'appoint NewAge

i Pièces requises.

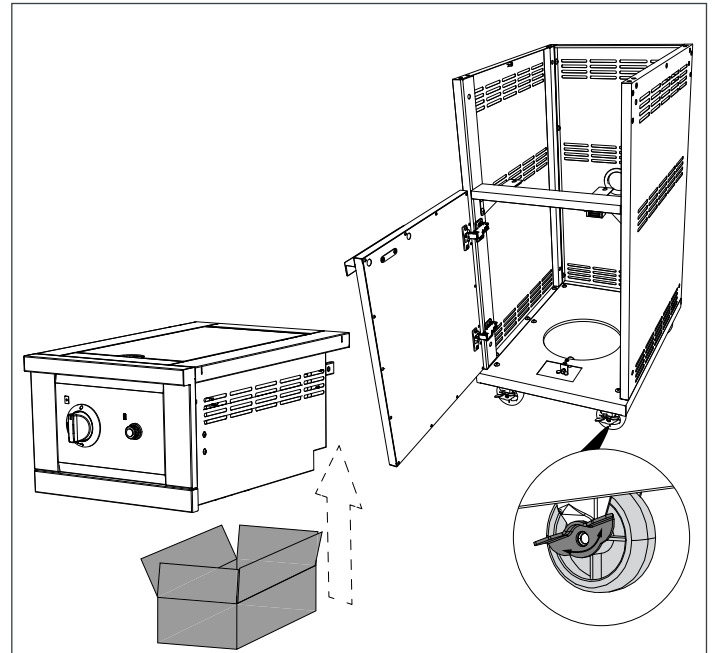


REMARQUE: Lorsque vous êtes prêt à installer l'appareil, placez-le directement sur l'armoire. **NE PLACEZ PAS** l'appareil sur le sol ou une surface plane.

2 Placez le brûleur d'appoint sur le chariot.

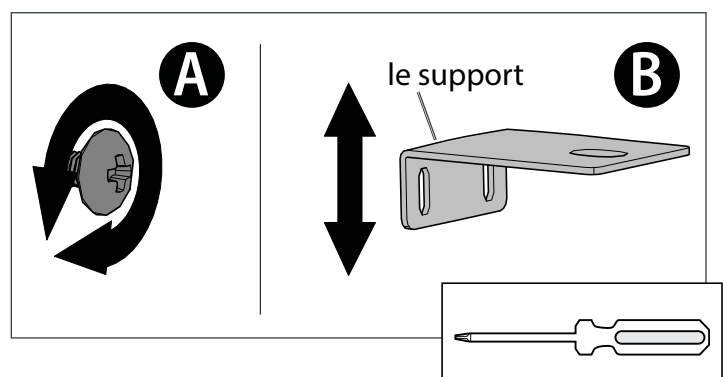
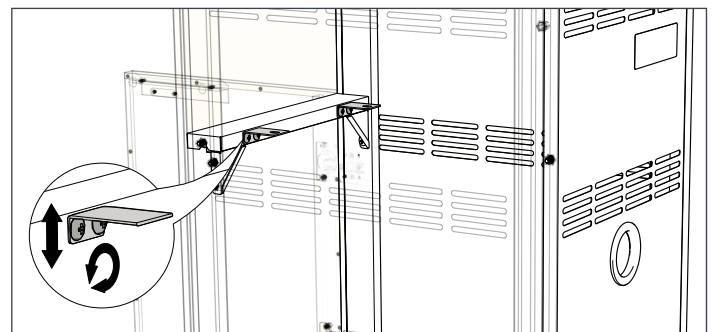


1 Assurez-vous que les roulettes avant du chariot sont verrouillées.



Desserrez partiellement la vis montée sur les supports (A). Ajustez la hauteur du support et mettez à niveau la base du brûleur latéral afin qu'elle repose correctement sur le support (B). Serrez ensuite les Vis.

3



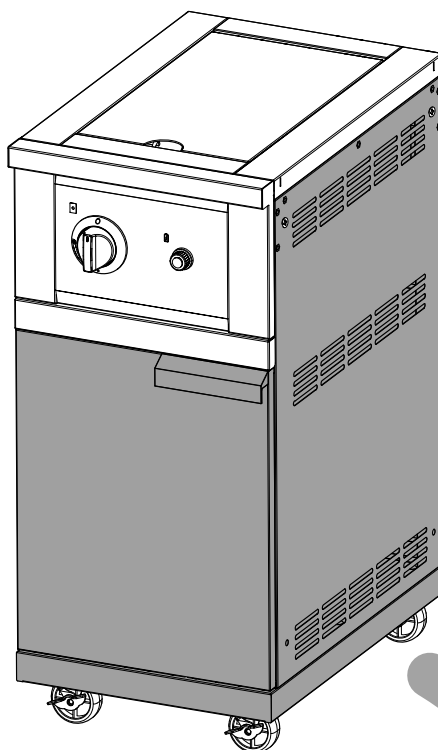
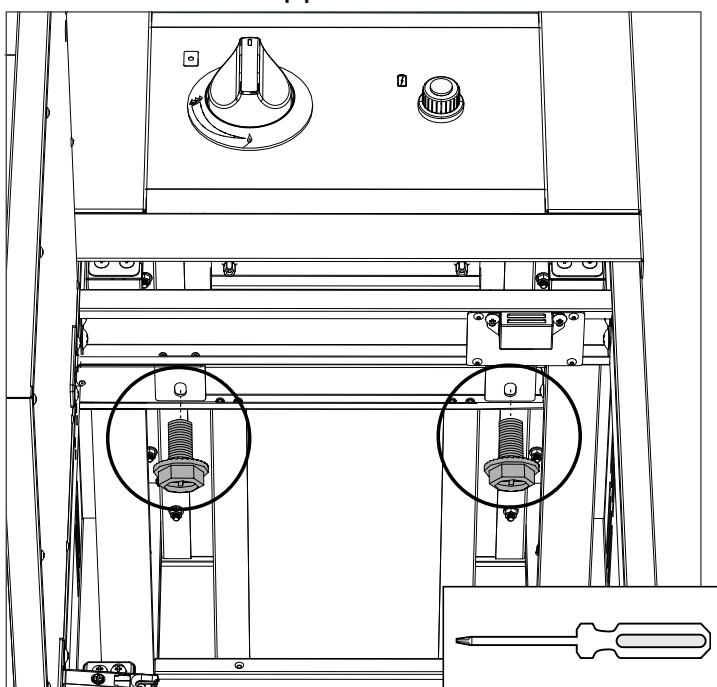
Installation d'un brûleur d'appoint sur un chariot pour brûleur d'appoint NewAge

REMARQUES IMPORTANTES

- Si l'installation ne concerne qu'un seul chariot pour appareils, alors suivez les étapes 3 et 4 indiquées ci-dessous.

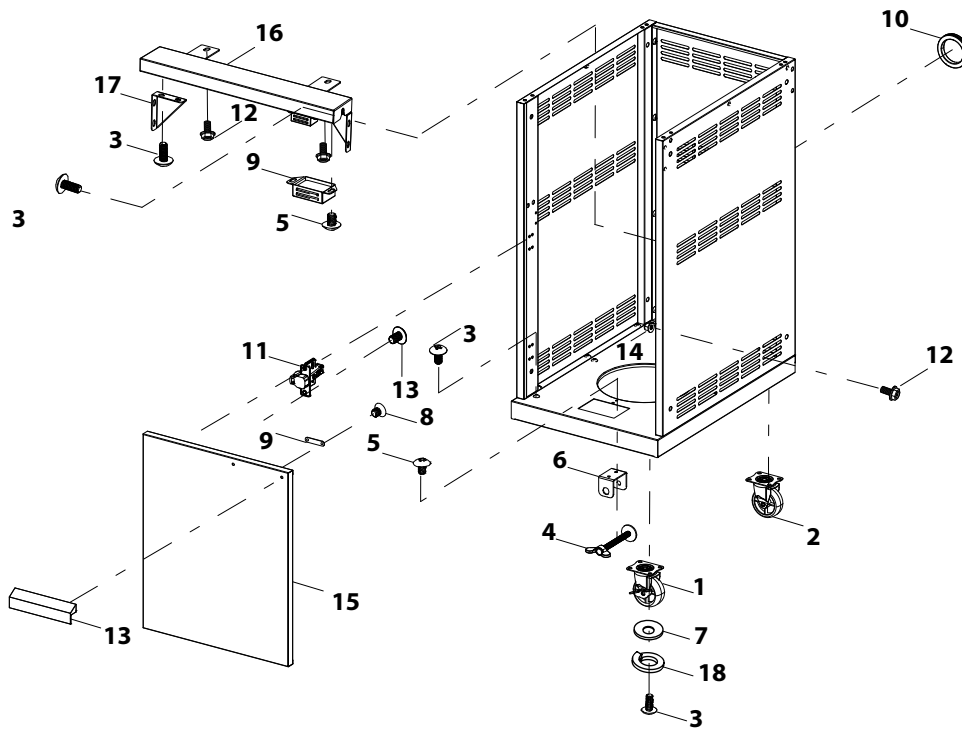
4

Fixez le brûleur d'appoint au chariot pour brûleur d'appoint en insérant deux M6x12 mm par le bas. Vis à tête hexagonale - M6x12mm sont fournies avec le brûleur d'appoint de chariot.



Liste des pièces de rechange

CHARIOT POUR BRÛLEUR D'APPOINT NEWAGE



N° de S.	N° de pièce ing.	Description	Qté	N°	Qté de pièces de rechange
1.	H00550A-01	Roue De Chariot Avec Serrure	2	64974	1
2.	H00549A-01	Roue De Chariot Sans Serrure	2	64975	1
3.	H00648A-01	Vis à tête Phillips - M6X15L	42	64977	1
4.	H00551A-01	Vis de serrage à main à oreilles - M6 avec butée	1	64976	1
5.	H00357A-01	Vis à tête Phillips - M4X10L	26	64978	1
6.	GLE-13.003A-01	Plaque de verrouillage du support	1	-	-
7.	H00646A-01	Rondelle ordinaire M6	16	-	-
8.	H00752A-01	Vis à Tête M4 CSK	18	64979	1
9.	H00542A-01	Verrou Magnétique de Porte et Plaque de Verrouillage	1	64980	1
10.	GLE-13.009A-01	Passe-Câble	1	64981	1
11.	H00594A-01	Charnière de porte et vis à tête Phillips-M4X10L	2	64986	1
12.	H00532A-01	Vis à Tête Hexagonale M6x12L	6	66514	1
13.	GLE-13.017A-01	Poignée de Porte	1	64987	1
14.	H00614A-01	Écrou M6	4	64999	1
15.	GLE-16.007A-01	Assemblage de la porte du chariot du brûleur d'appoint (sans charnières ni poignée)	1	64994	1
16.	GLE-16.006A-01	Chariot pour brûleur d'appoint - Assemblage de panneau de support	1	-	-
17.	GLE-16.008A-01	Bride de soutien	2	-	-
18.	H00647A-01	Rondelle Fendue M6	16	-	-