



Thank you for supporting our mission to create a greener planet through reforestation. Before starting, please make sure all pieces listed in this manual are complete. And save this manual for future reference.

When assembling, we recommend placing all wooden parts on a soft, clean and flat surface to avoid scratches and damage while assembling your brand new MasayaCo piece.

Need any assistance?
Feel free to contact our Customer Service Team.

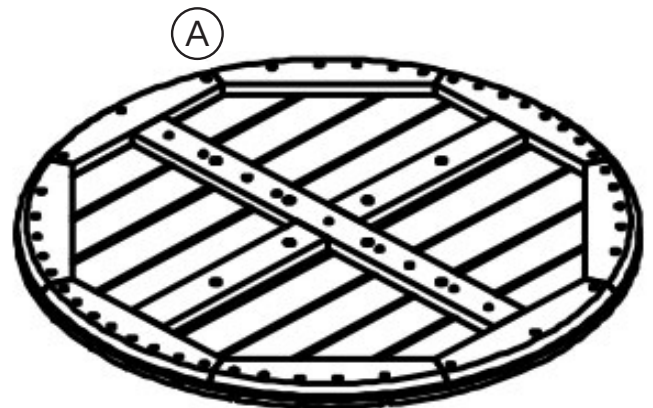
(615) 953 - 9373,
customerservice@masayacompany.com
or using our chat on www.masayacompany.com

15 Min 2 people Allen Hex Key

ID	Description	Qty	Reference
(A)	Table Top	1	
(B-1)	Solid Wood Leg 1	1	
(B-2)	Solid Woos Leg 2	1	
(D)	Perno Decorative Heat Bolt 13mm x 65mm (2 1-2")	8	
(E)	Allen Hex Key	1	

Step 1

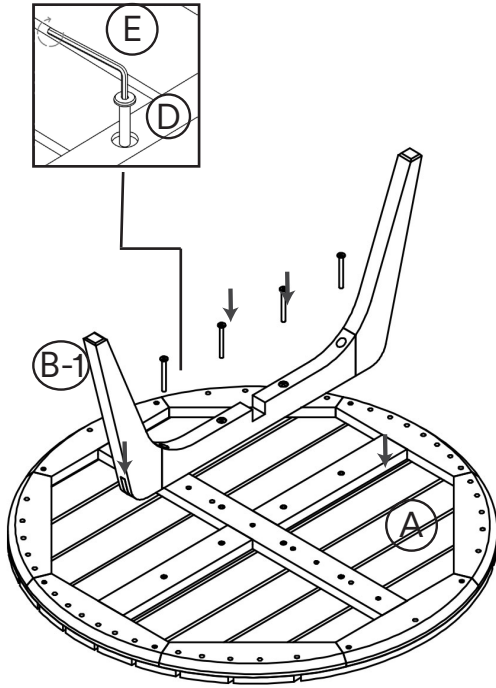
Place the top face (Piece A) down on an elevated and soft surface.



Step 2

Screw leg B-1 into the table top base.

Use de pieces D and E.



Step 3

Connect the leg pieces, making sure these fit with each other. Finally, screw leg B-2 in place.

