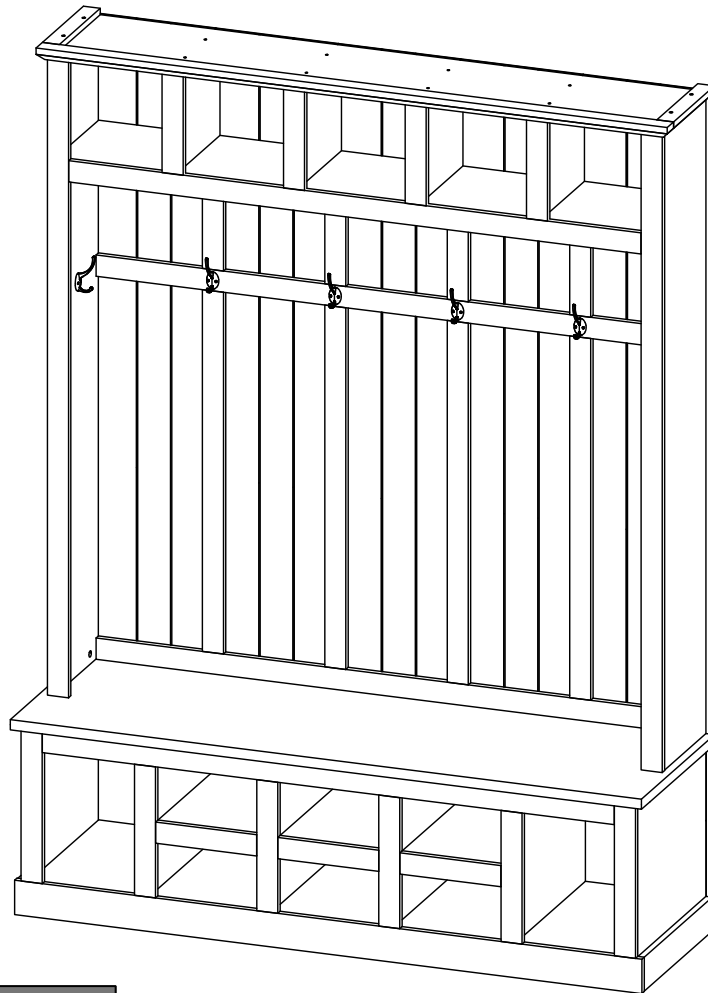


TV STAND

Assembly Instructions - Please keep for future reference



Dimensions

Width-59.1inch

Depth-18.11inch

Height-78.74inch

Important – Please read these instructions fully before starting assembly



Safety and Care Advice

Important – Please read these instructions fully before starting assembly

- Check you have all the components and tools listed on the following pages.

- Remove all fittings from the plastic bags and separate them into their groups.

- Keep children and animals away from the work area, small parts could choke if swallowed.

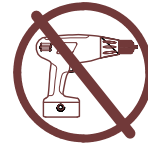
- Make sure you have enough space to layout the parts before starting.

- During assembly do not stand or put weight on the product, this could cause damage.

- Assemble the item as close to its final position (in the same room) as possible.

- Assemble on a soft level surface to avoid damaging the unit or your floor.

- Parts of the assembly will be easier with 2 people.



power drill is set on a low torque setting.

- To reduce the likelihood of damaging your product please ensure that your

Care and maintenance

- Only clean using a damp cloth and mild detergent, do not use bleach or abrasive cleaners.

- From time to time check that there are no loose screws on this unit.

- This product should not be discarded with household waste. Take to your local authority waste disposal centre.

Handy Hints

- Assemble all parts and bolts loosely during assembly, only once the product is complete should you fully tighten the bolts

- Regularly check and ensure That all bolts and fittings are tightend properly.

WARNING In order to help prevent overturning – please follow these instructions


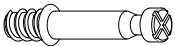
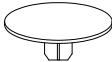
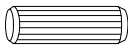




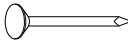

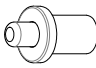




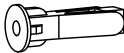

To help prevent product toppling over please follow the below steps:-

- Use the anti tip stap or wall fixing method provided (if applicable)
- Do not allow children to climb or hang on the furniture
- Do not open more than one drawer at a time
- Do not place heavy items in the top drawers
- Do not place heavy items on top of the furniture, unless the furniture has been designed for this purpose

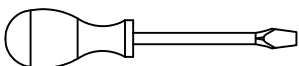
Components - Fittings

Please check you have all the panels listed below

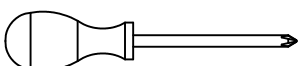
Note: The quantities below are the correct amount to complete the assembly. In some cases more fittings may be supplied than are required.

<p>A1</p>  <p>Cam lock x 78 + 2</p>	<p>A2</p>  <p>Cam bolt x 78 + 2</p>	<p>A3</p>  <p>Cam cap x 74 + 2</p>	<p>B</p>  <p>8*30mm Dowel x 100 + 2</p>
<p>C</p>  <p>6*50mm Screw x 28 + 2</p>	<p>D</p>  <p>Allen key x 1</p>	<p>E</p>  <p>3.5*16mm Screw x 16 + 2</p>	<p>F</p>  <p>4*16mm Screw x 100 + 2</p>
<p>G</p>  <p>16mm Nail x 33</p>	<p>H</p>  <p>Nail leg x 8</p>	<p>I</p>  <p>Spring door support x 16 + 2</p>	<p>J</p>  <p>L bracket x 2</p>
<p>K</p>  <p>Hook x 6</p>	<p>L1</p>  <p>4*12mm Screw x 2</p>	<p>L2</p>  <p>4*50mm Screw x 2</p>	<p>L3</p>  <p>Wall plug x 2</p>
<p>L4</p>  <p>PVC strip x 2</p>			

Tools required



Philips screwdriver
(medium & large)



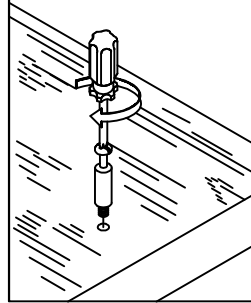
Using Camlocks

Step 1

Connect the male camlock as directed in the assembly instructions using a screwdriver.

1

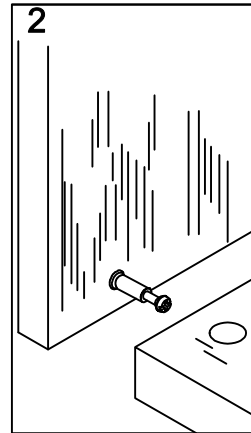
DO NOT OVER TIGHTEN.
NE PAS SERRER EXCESSIVEMENT.



Step 2

Push the male camlock into the entry hole.

2

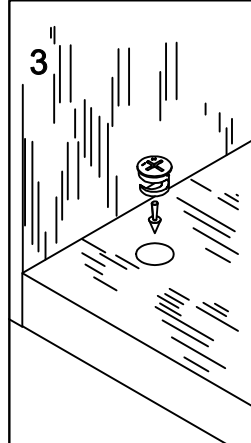


Step 3

Insert the female camlock as shown in the instruction.

Note: ensure that the arrow on the top of the camlock points towards the entry hole for the male camlock.

3



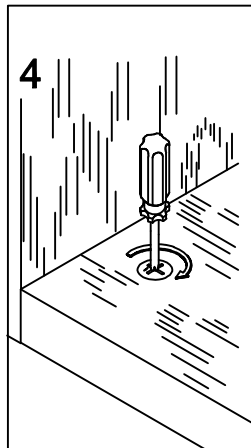
Step 4

Turn the female camlock clockwise with a screwdriver.

You should feel a click when the camlock is locked in place.

The joint is now secure.


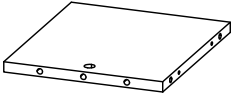







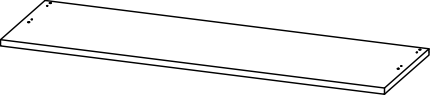
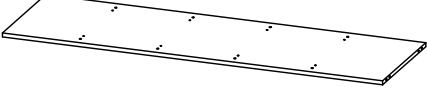

4







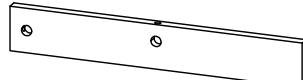
Components - Parts

Please check you have all the panels listed below.
Please note that there are 2 boxes of this product.

Box A

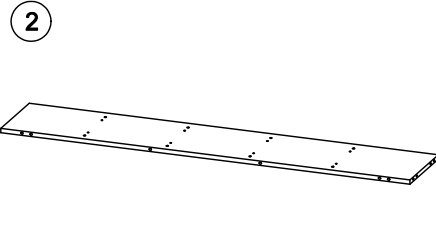
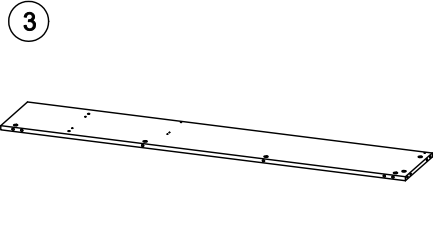
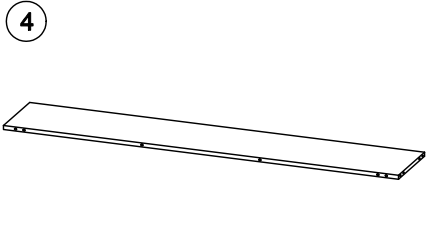
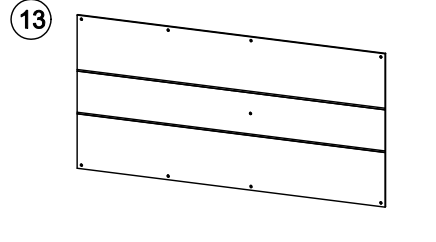
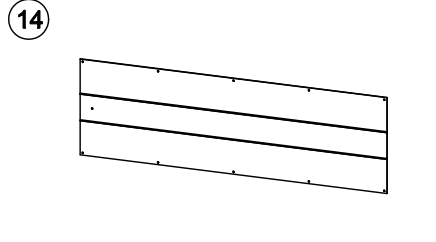
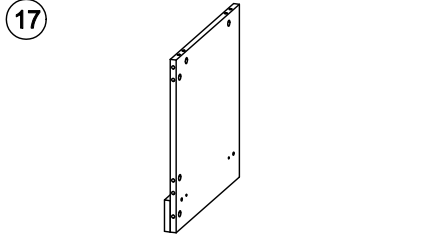
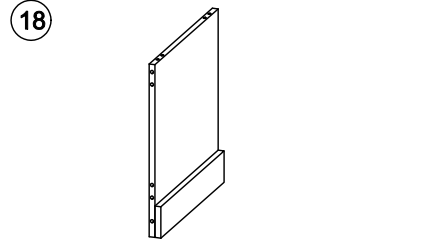
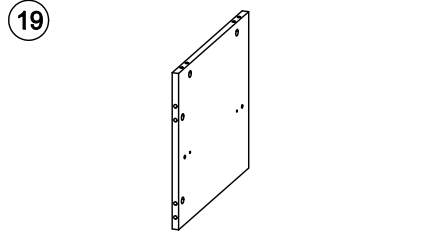
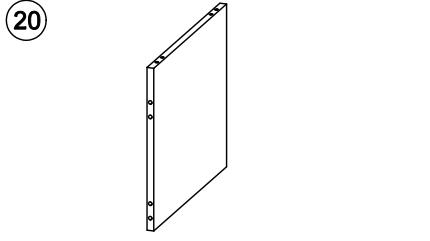
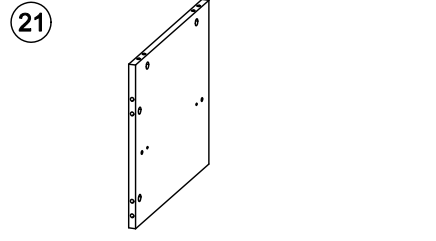
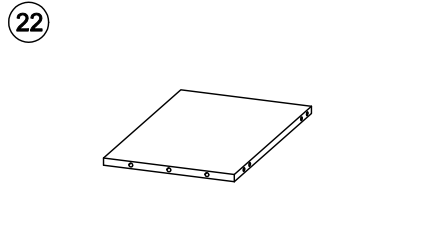
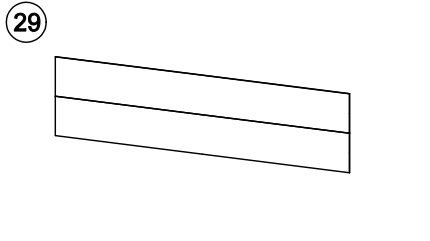

<p>①</p> 	<p>⑤</p> 	<p>⑥</p> 
<p>Top Panel (Up) 1500*298*30 1 PC</p>	<p>Center Panel (Up) 263*234*15 4 PCS</p>	<p>Back Bone (Up) 1428*50*15 1 PC</p>
<p>⑦</p> 	<p>⑧</p> 	<p>⑨</p> 
<p>Back Bone (Down) 1428*50*15 1 PC</p>	<p>Front Bone Long (Up) 1360*50*15 1 PC</p>	<p>Side Bone (L&R) 1500*50*15 2 PCS</p>
<p>⑩</p> 	<p>⑪</p> 	<p>⑫</p> 
<p>Center Bone (Up) 234*50*15 4 PCS</p>	<p>Back Bone Long 853*50*15 4 PCS</p>	<p>Back Bone Short 298*50*15 4 PCS</p>
<p>⑮</p> 	<p>⑯</p> 	<p>⑳</p> 
<p>Top Panel (Center) 1500*460*24 1 PC</p>	<p>Bottom Panel (Down) 1428*430*15 1 PC</p>	<p>Front Bone Long (Down) 1359*50*15 1 PC</p>

Components - Parts

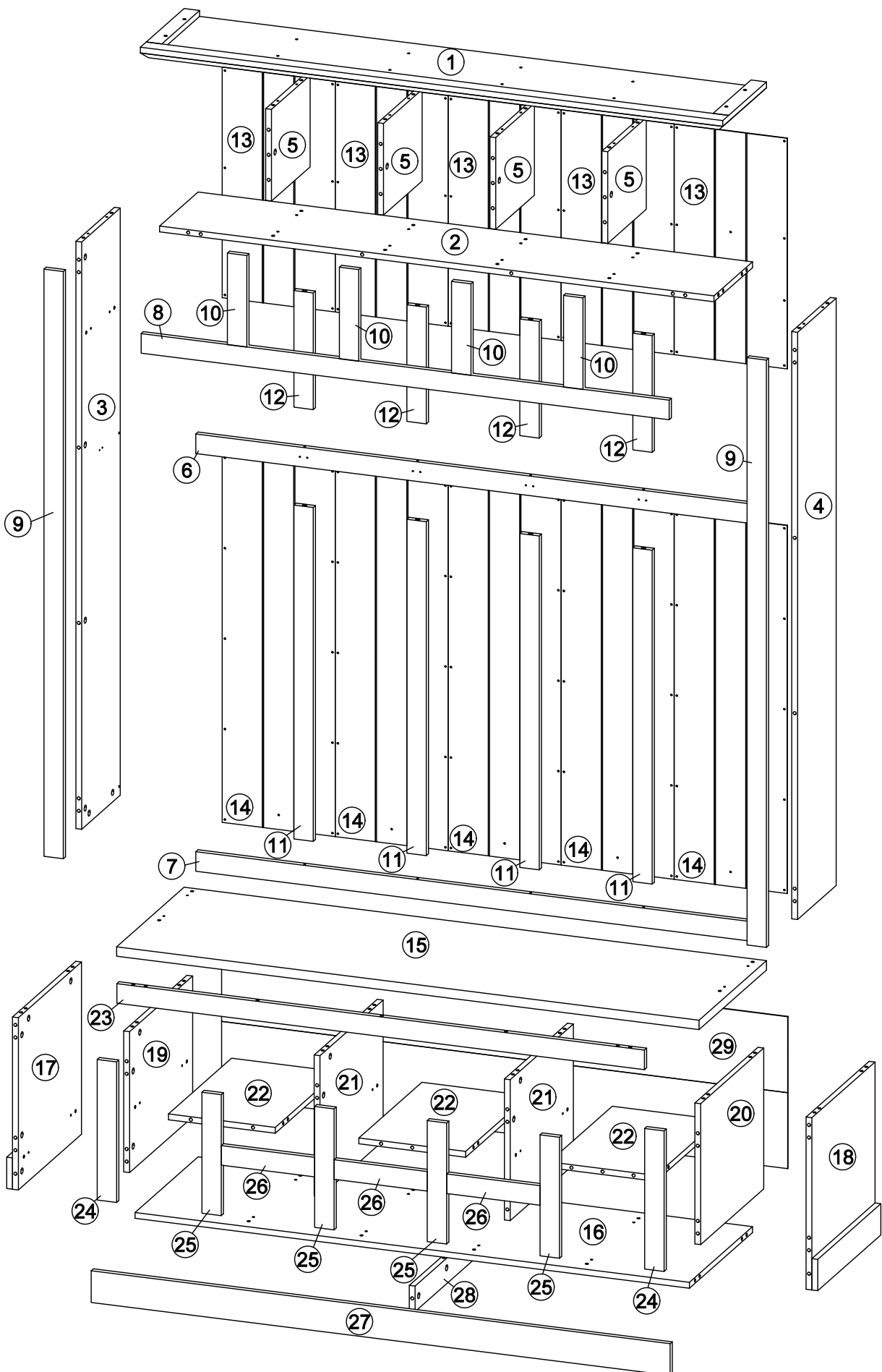
<p>24</p> 	<p>25</p> 	<p>26</p> 
<p>Down Side Bone (L&R) 359*50*15 2 PCS</p>	<p>Down Center Bone 309*50*15 4 PCS</p>	<p>Down Middle Bone 240*50*15 3 PCS</p>
<p>27</p> 	<p>28</p> 	
<p>Leg Panel (Center) 1491*81*15 1 PC</p>	<p>Center Leg 430*65*15 1 PC</p>	

Components - Parts

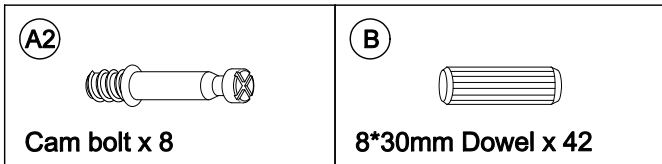
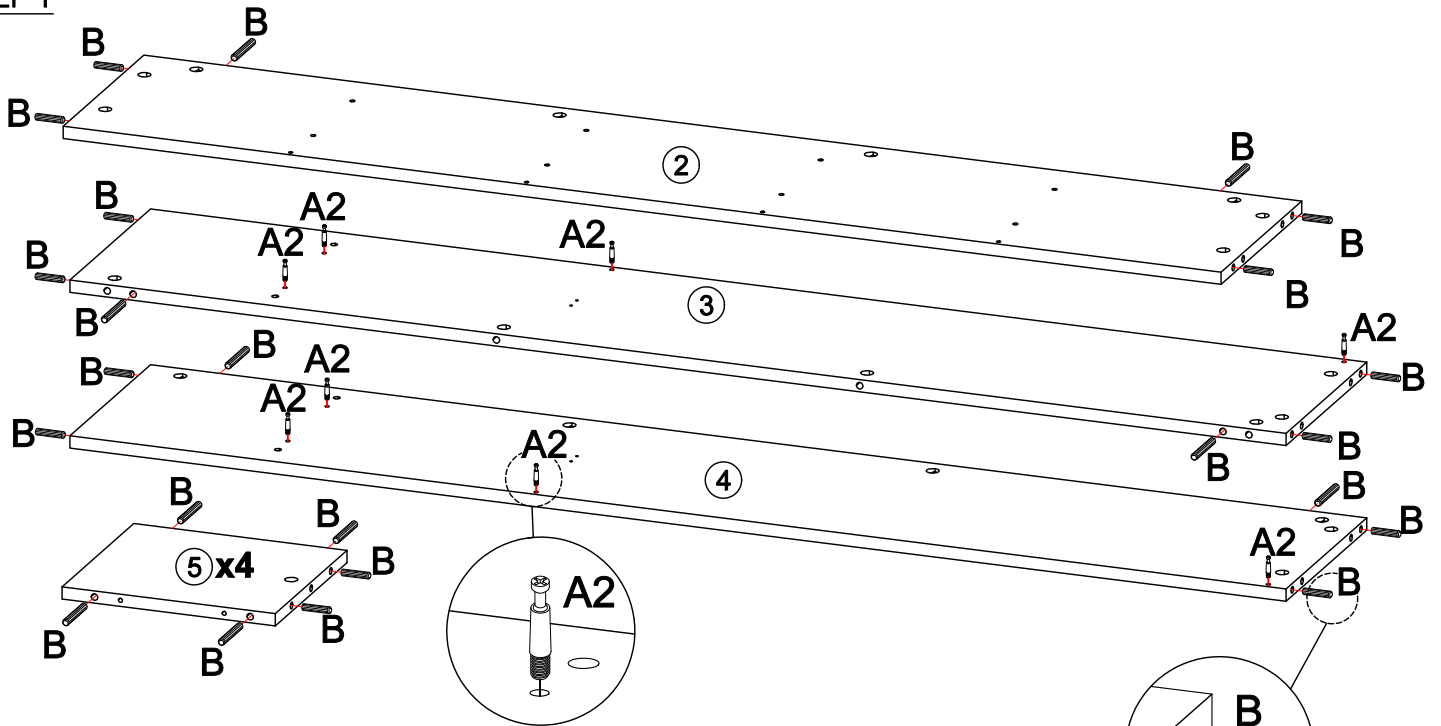
Box B

		
<p>Bottom Panel (Up) 1428*263*15 1 PC</p>	<p>Side Panel (L) 1500*263*15 1 PC</p>	<p>Side Panel (R) 1500*263*15 1 PC</p>
		
<p>Back Panel (Up) 587*291*2.5 5 PCS</p>	<p>Back Panel (Center) 940*291*2.5 5 PCS</p>	<p>Down Side Panel (L) 440*430*30 1 PC</p>
		
<p>Down Side Panel (R) 440*430*30 1 PC</p>	<p>Down Center Panel (L) 430*360*15 1 PC</p>	<p>Down Center Panel (R) 430*360*15 1 PC</p>
		
<p>Down Center Panel 430*360*15 2 PCS</p>	<p>Middle Panel 430*275*15 3 PCS</p>	<p>Back Panel (Down) 1458*194*2.5 1 PC</p>
		
<p>Hardware Pack 1 PCK</p>		

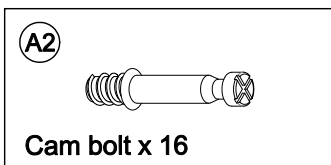
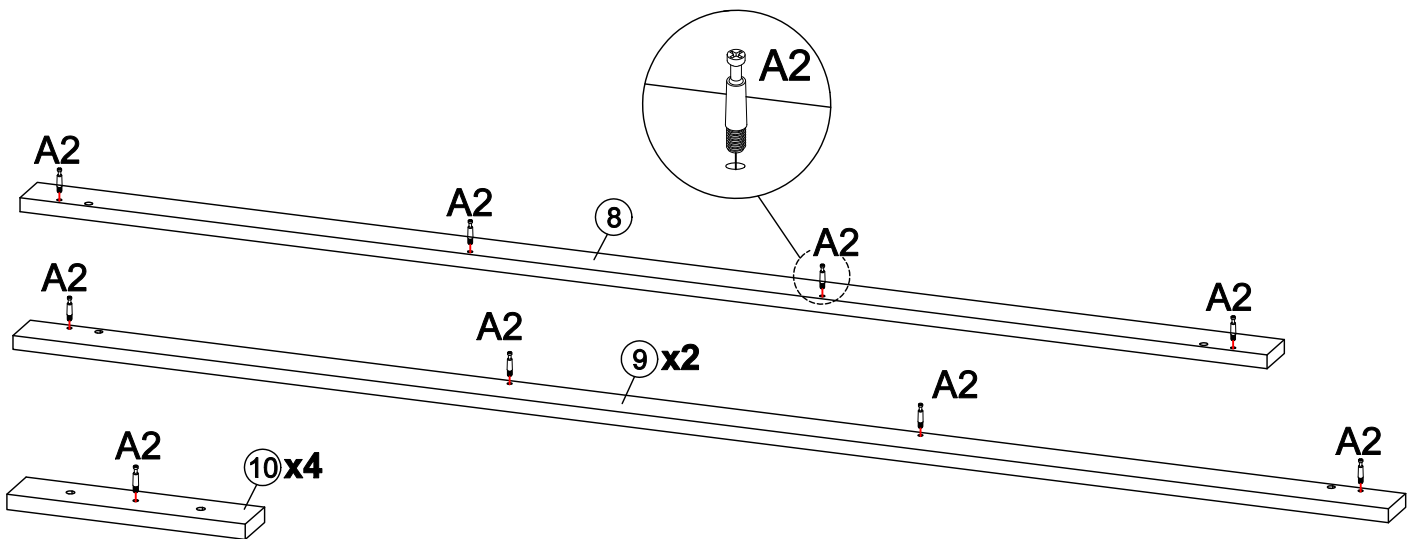
Assembly Instructions



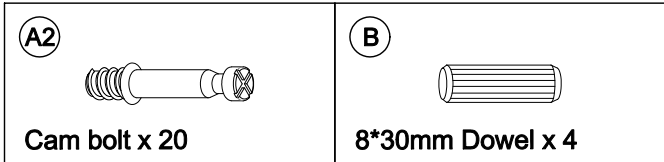
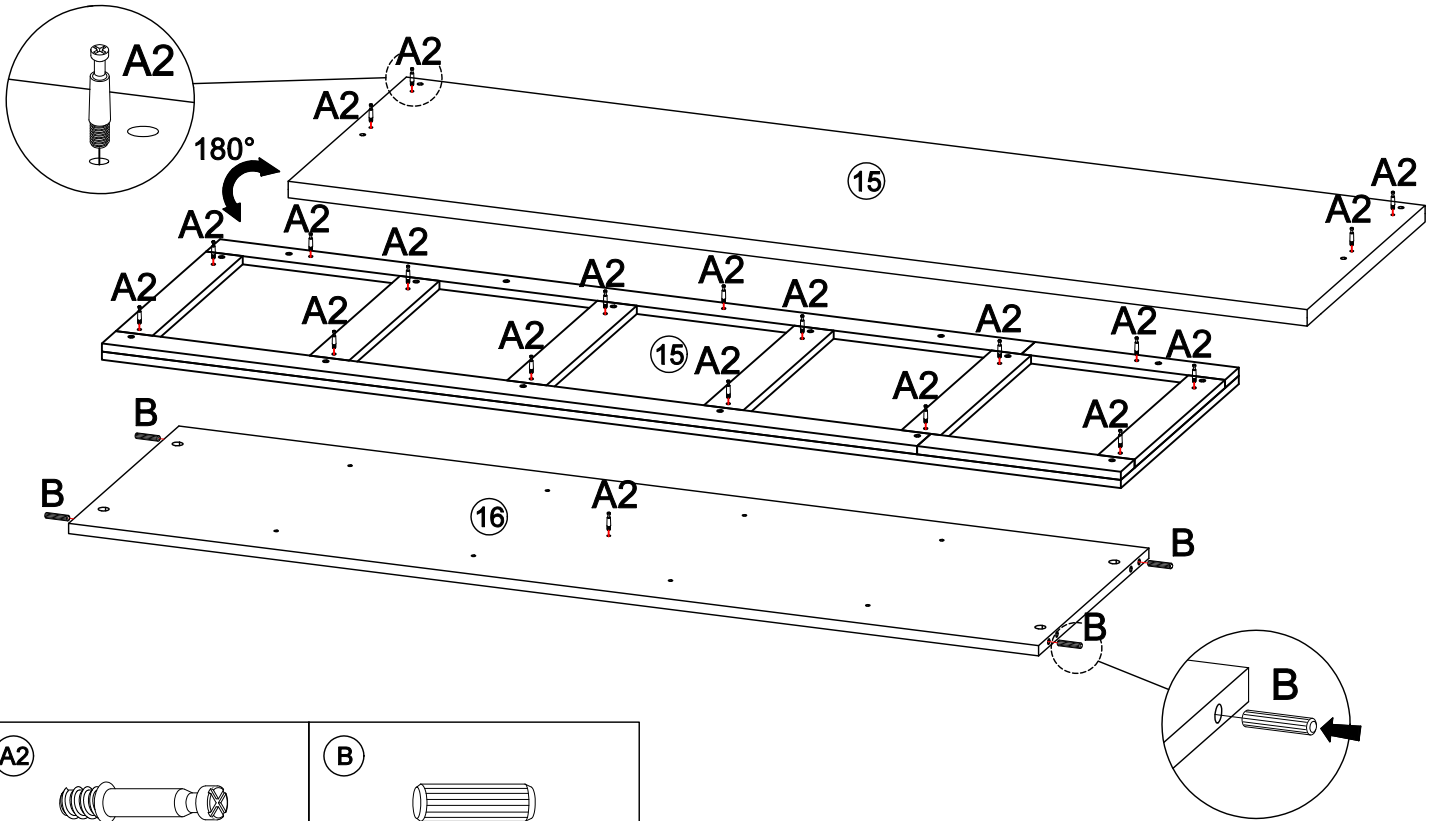
STEP 1



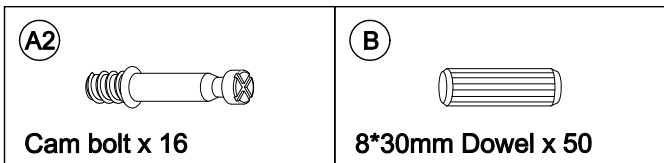
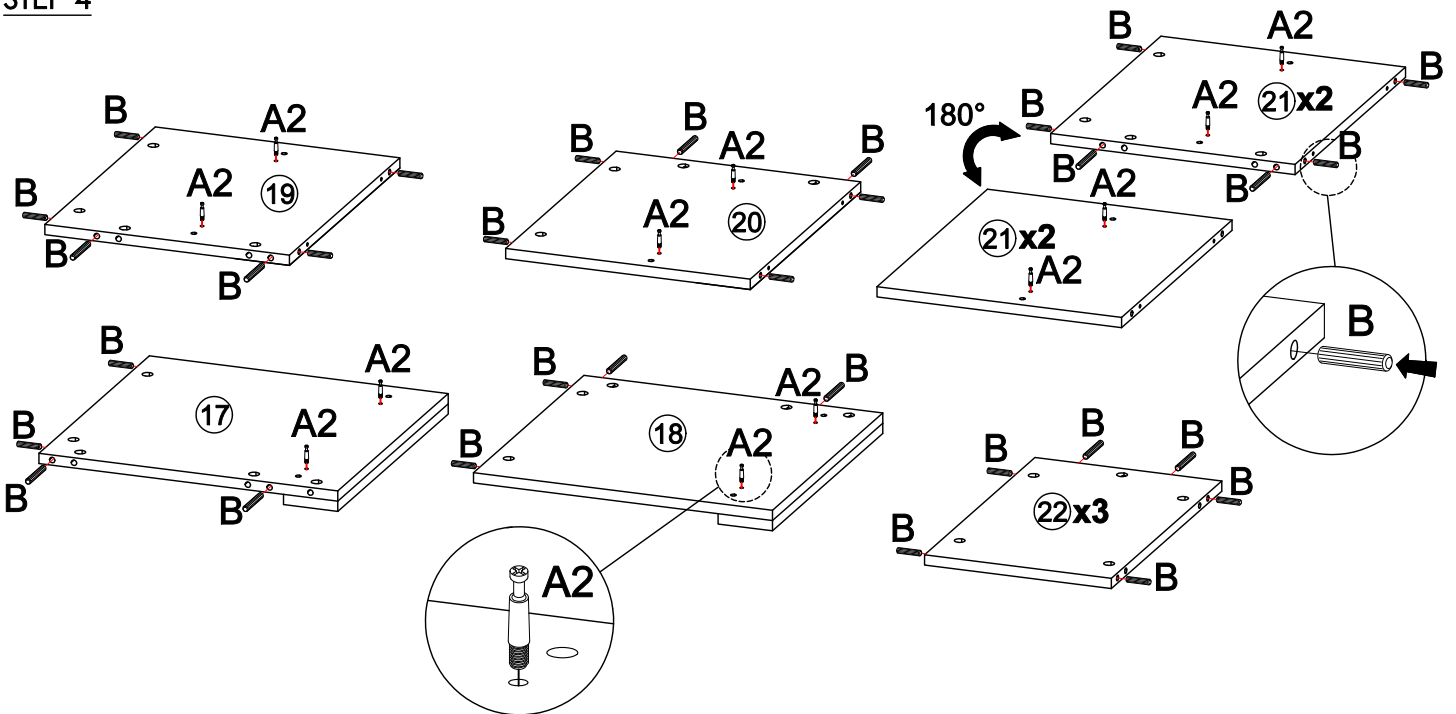
STEP 2



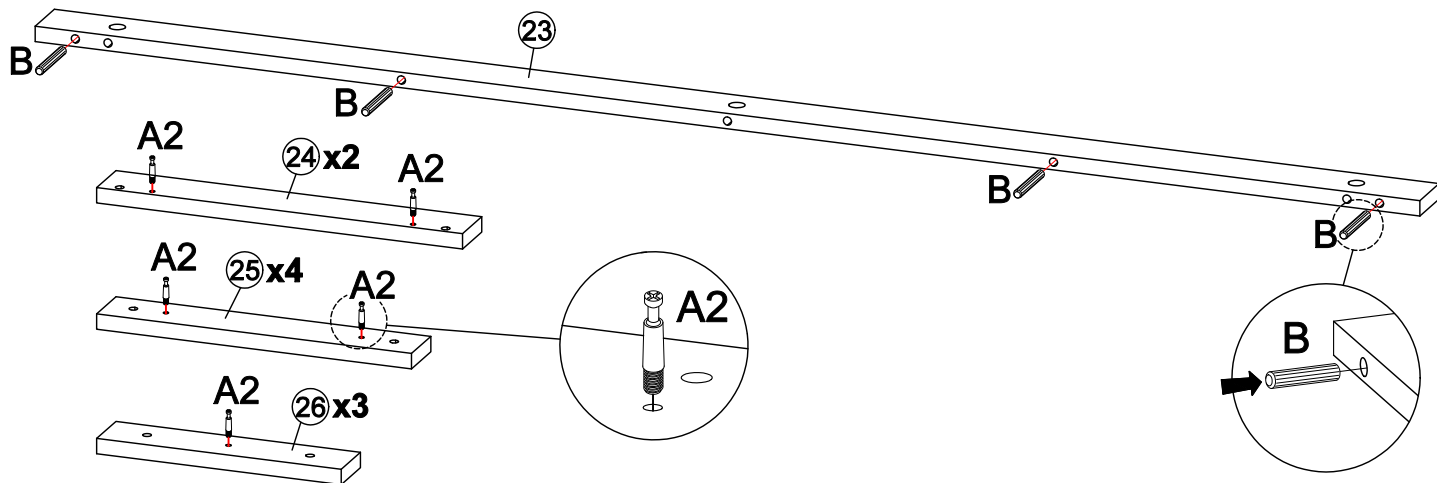
STEP 3


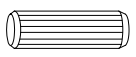


STEP 4

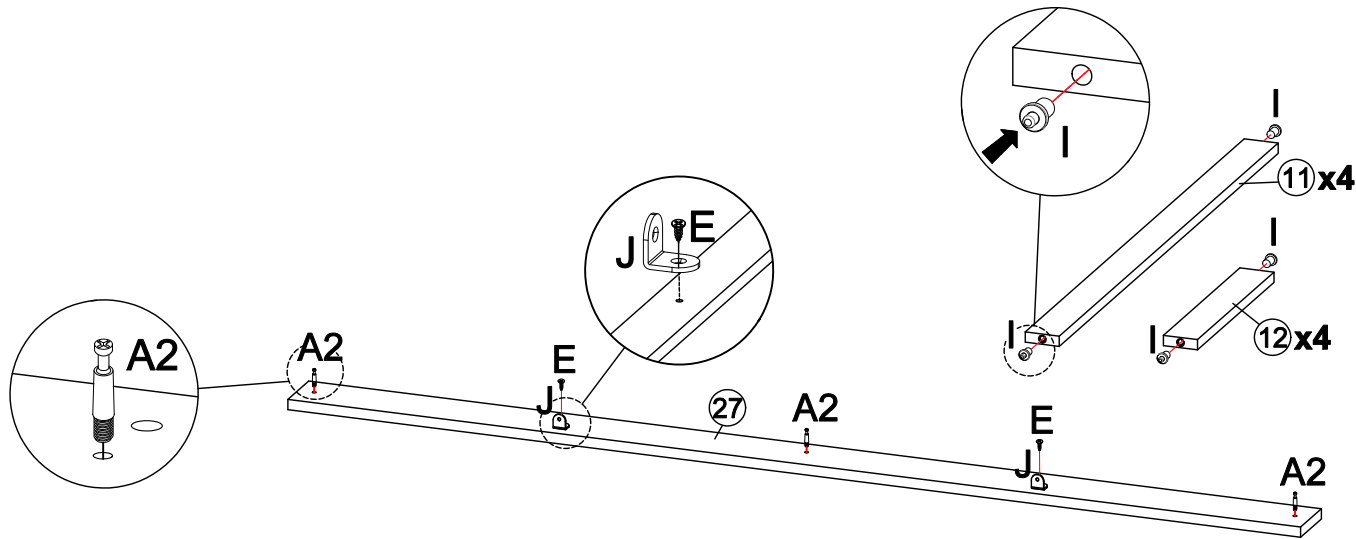


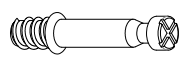


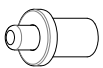
STEP 5



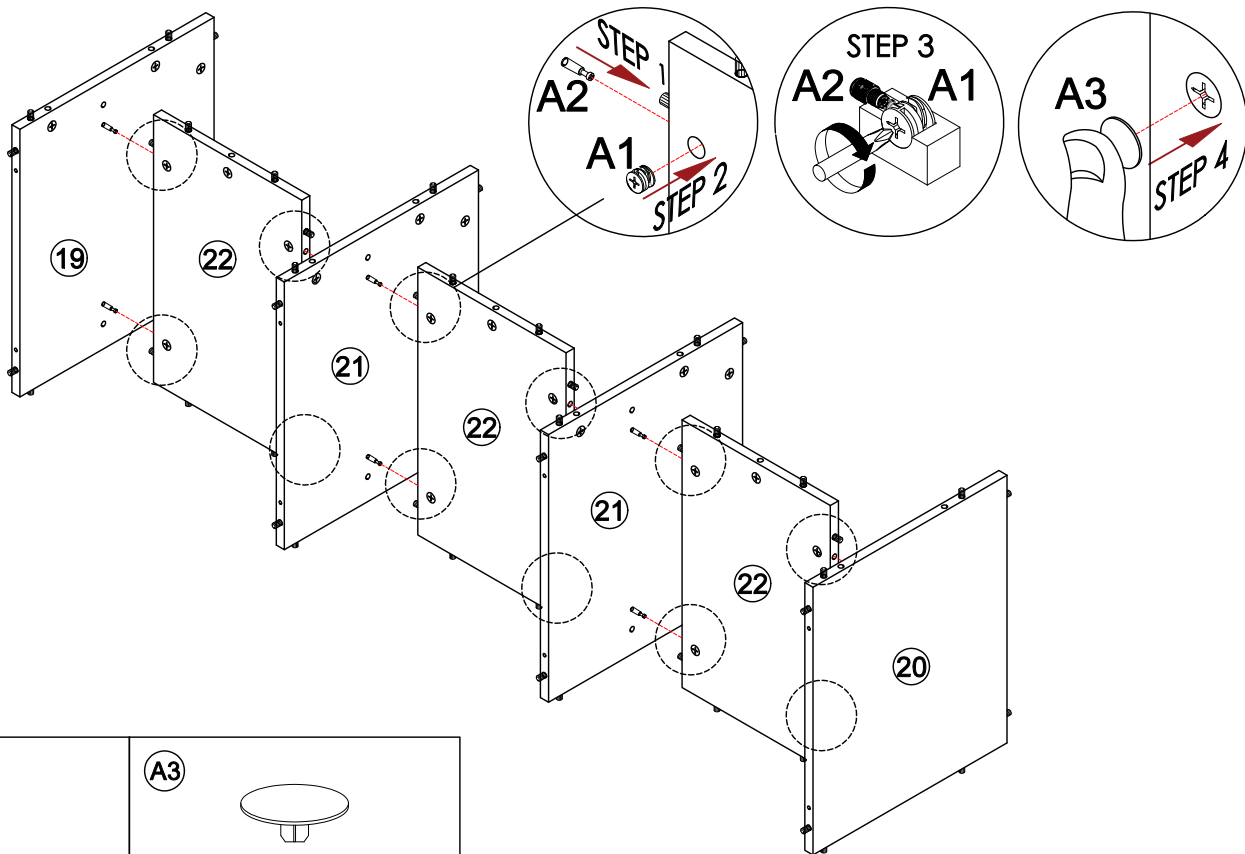
<p>A2</p>  <p>Cam bolt x 15</p>	<p>B</p>  <p>8*30mm Dowel x 4</p>
--	--


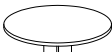
STEP 6



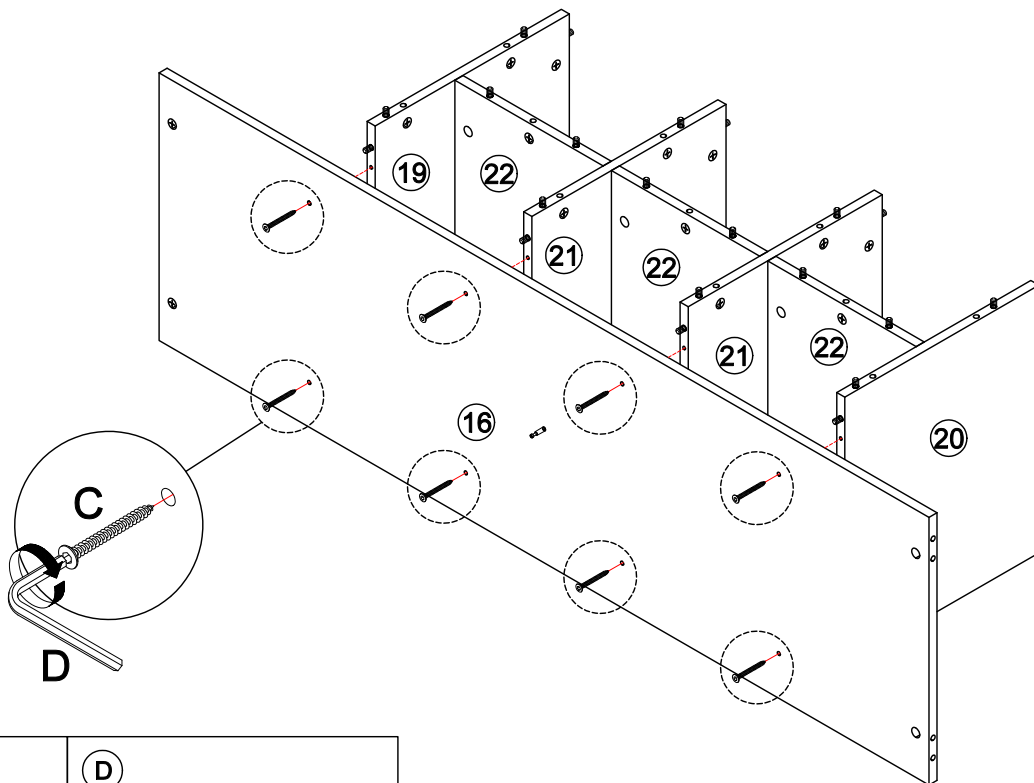
<p>A2</p>  <p>Cam bolt x 3</p>	<p>E</p>  <p>3.5*16mm Screw 2</p>	<p>J</p>  <p>L bracket x 2</p>	<p>I</p>  <p>Spring door support x 16</p>
--	---	--	---

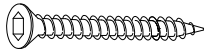

STEP 7



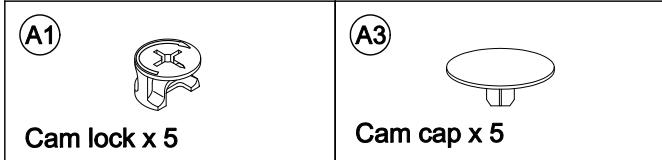
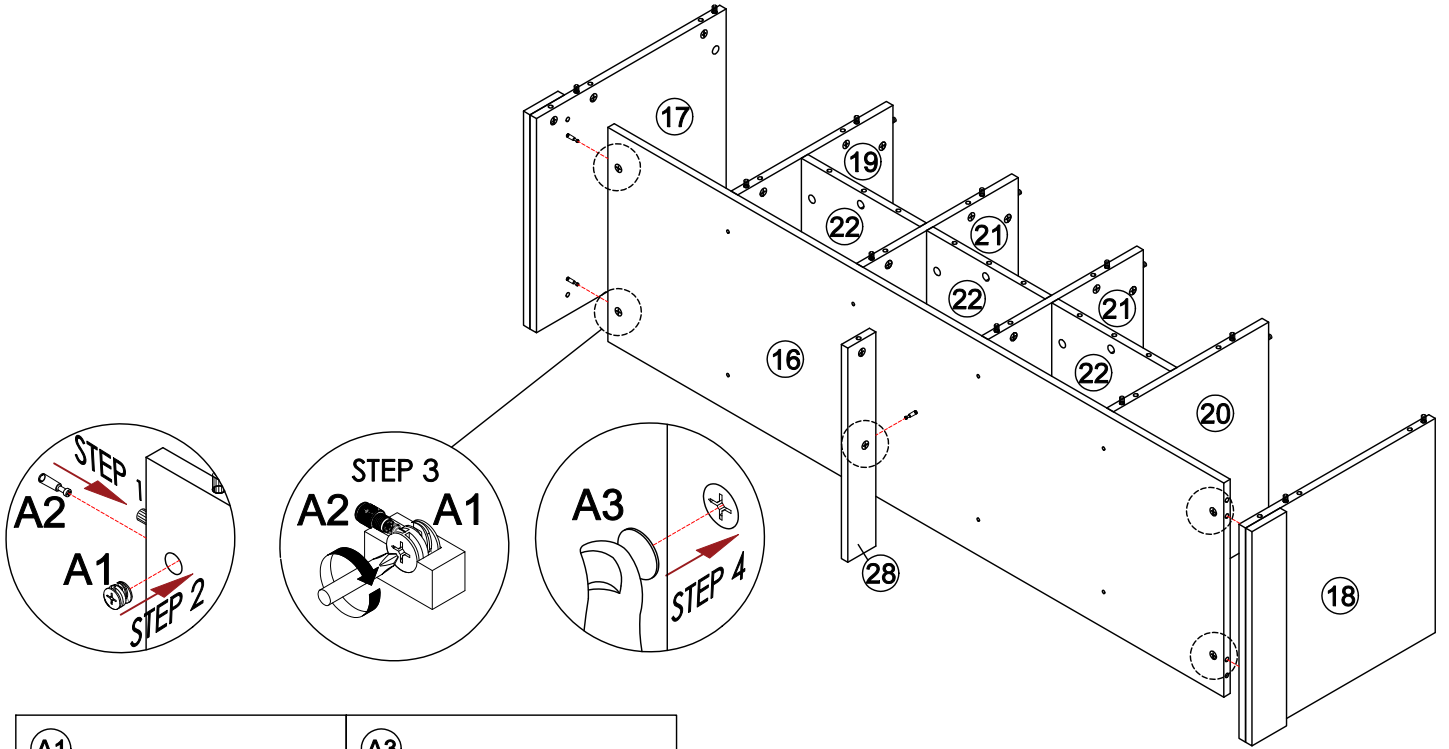
<p>A1</p>  <p>Cam lock x 12</p>	<p>A3</p>  <p>Cam cap x 12</p>
--	---

STEP 8

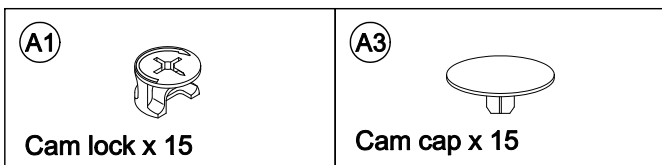
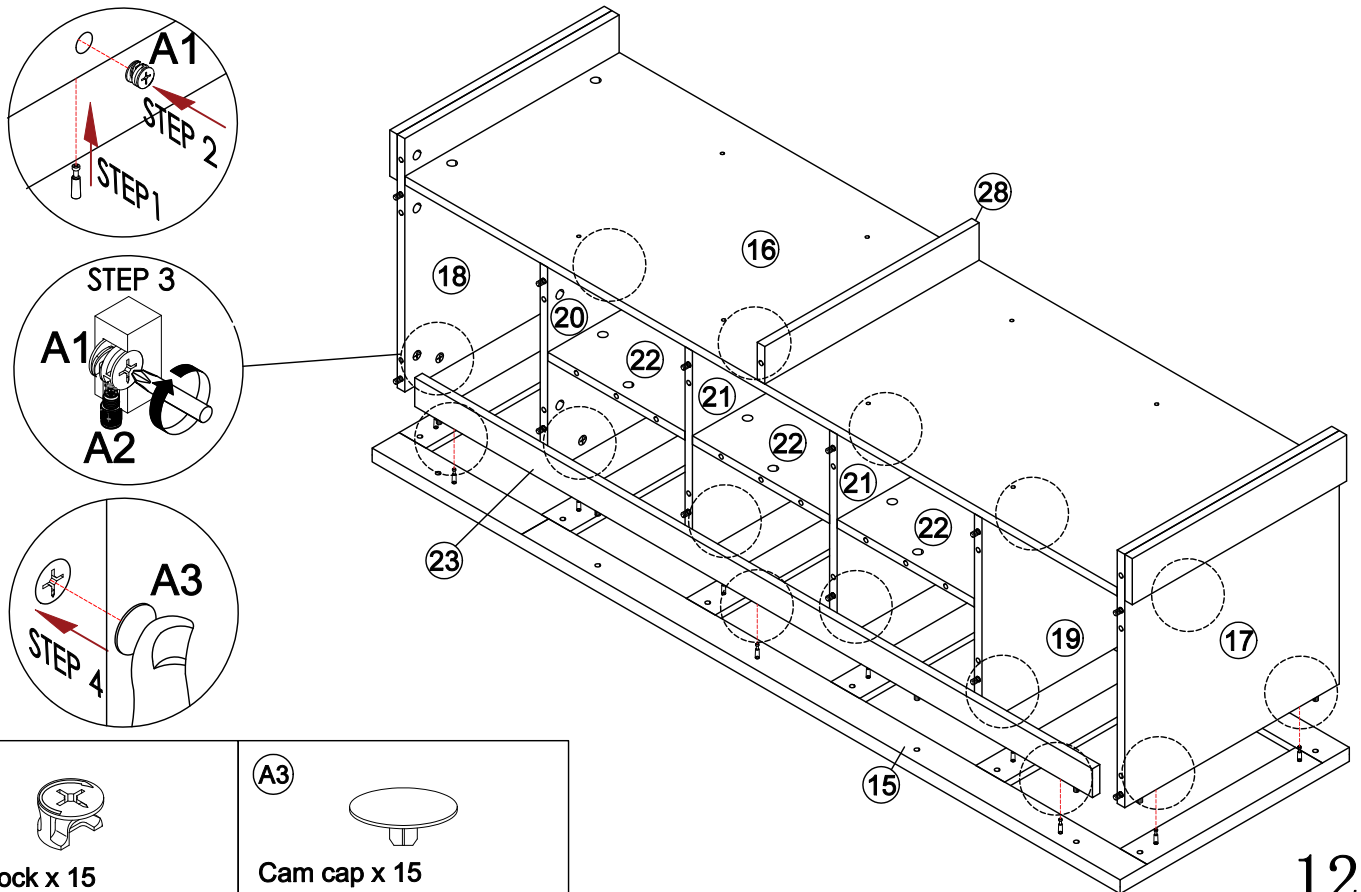


<p>C</p>  <p>6*50mm Screw x 8</p>	<p>D</p>  <p>Allen key x 1</p>
---	--

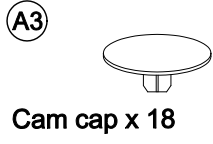
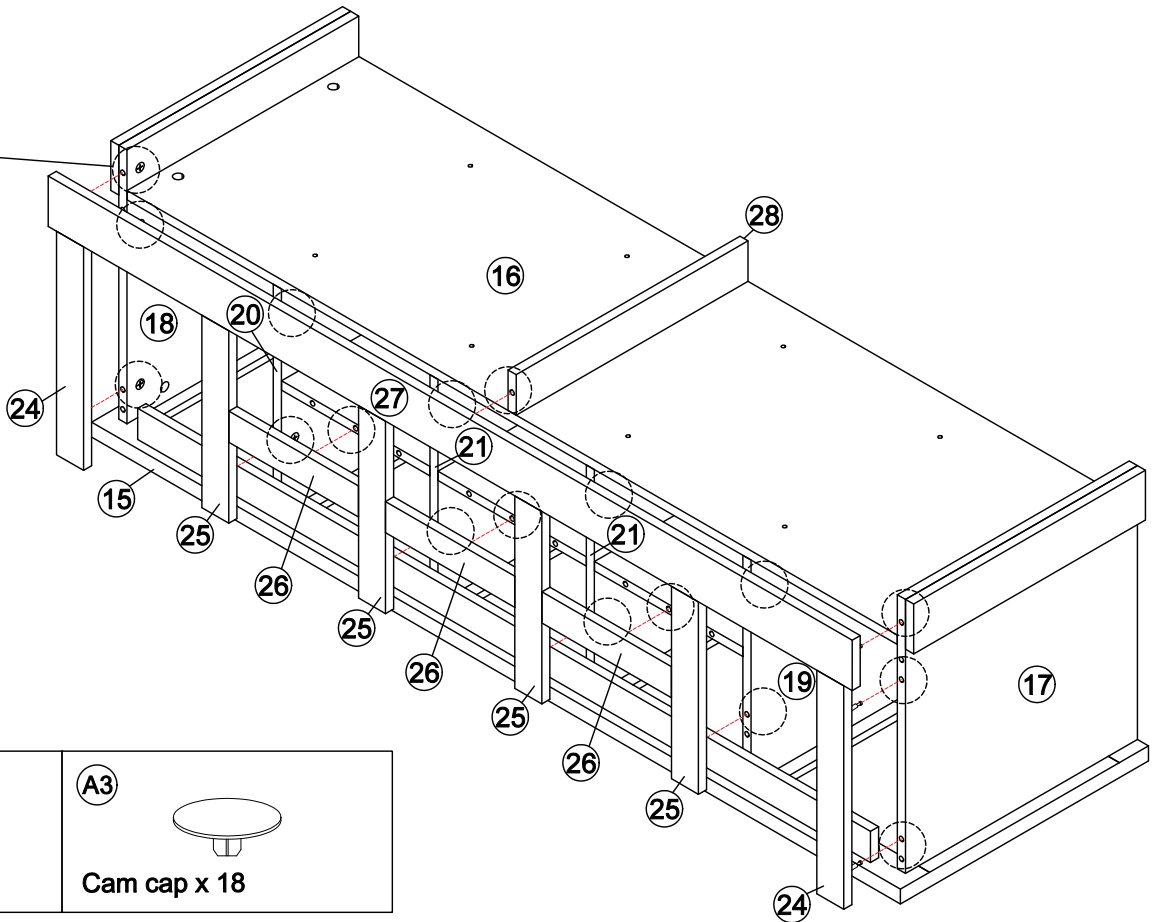
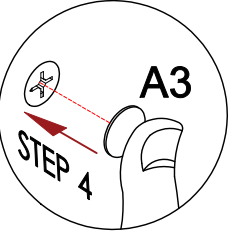
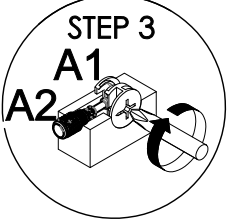
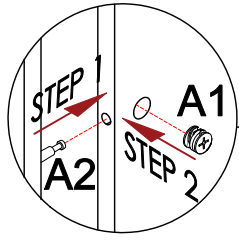
STEP 9



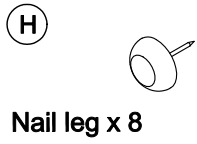
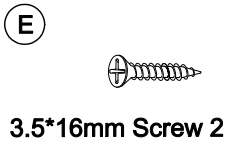
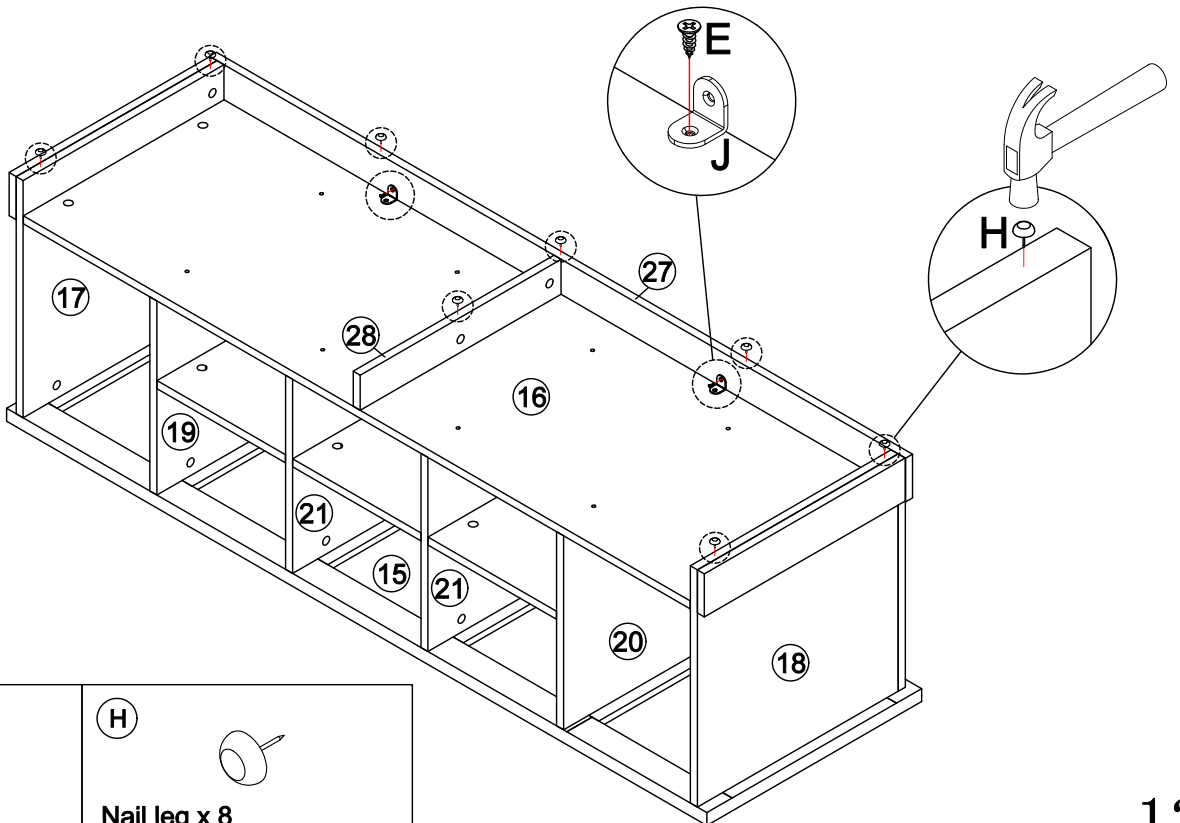
STEP 10



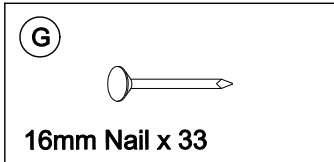
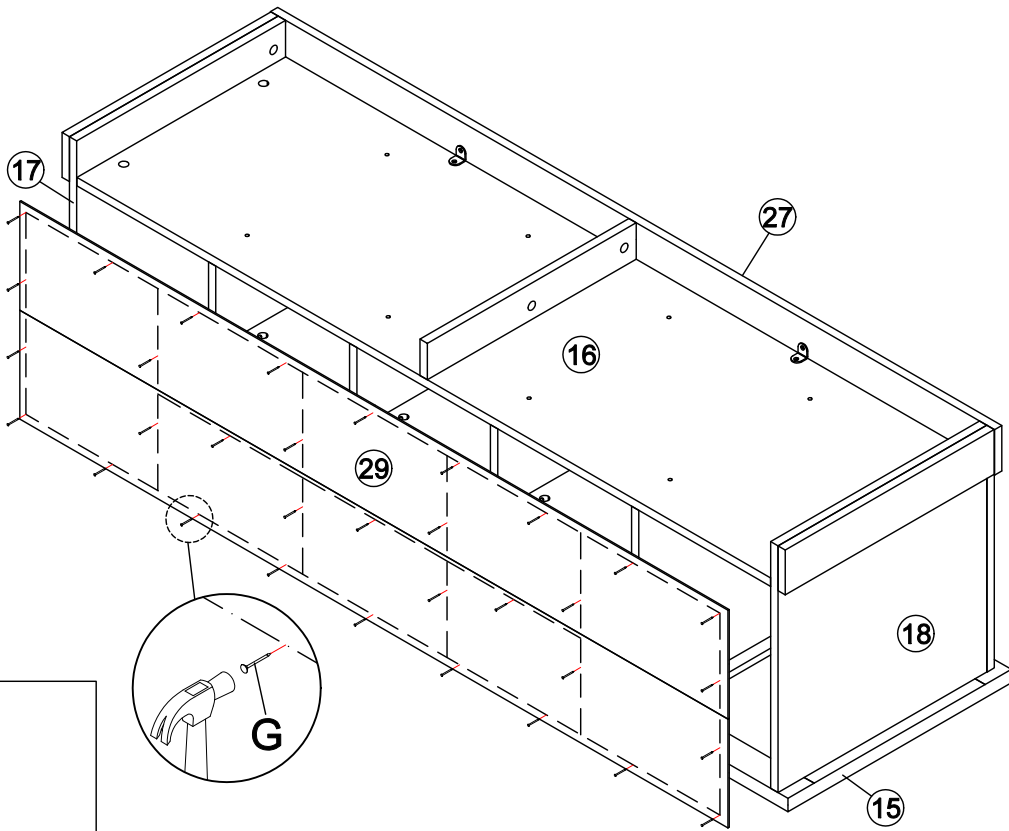
STEP 11



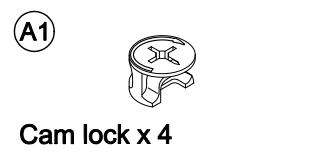
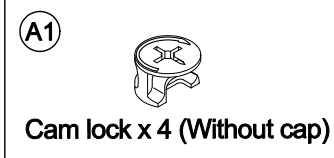
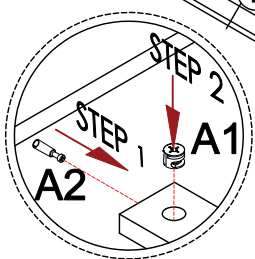
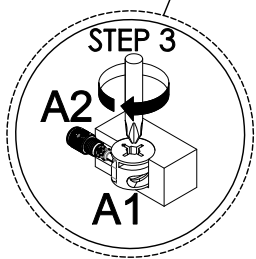
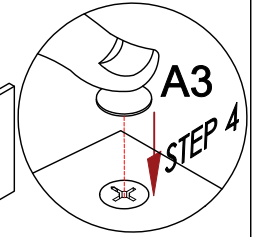
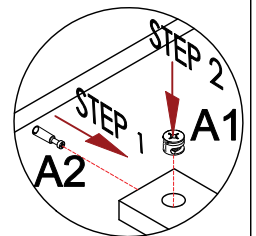
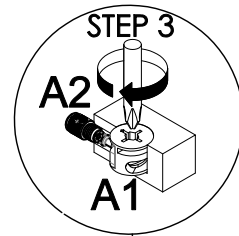
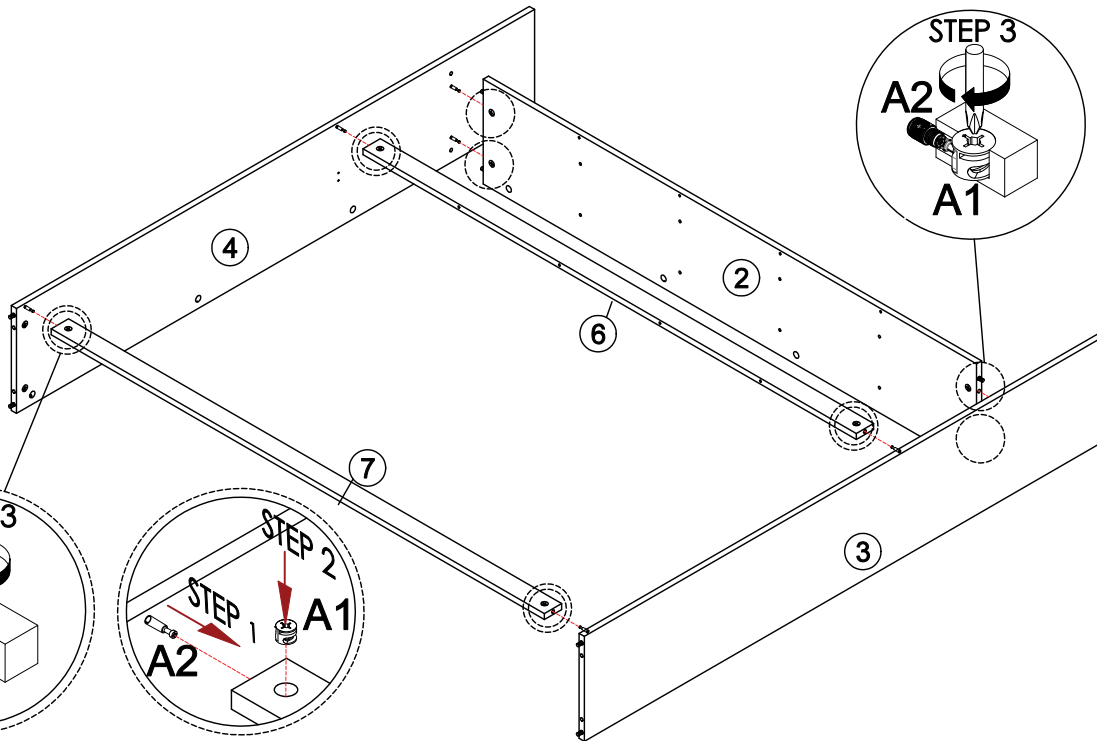
STEP 12



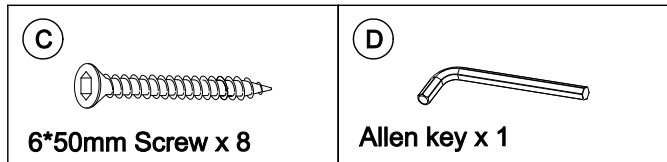
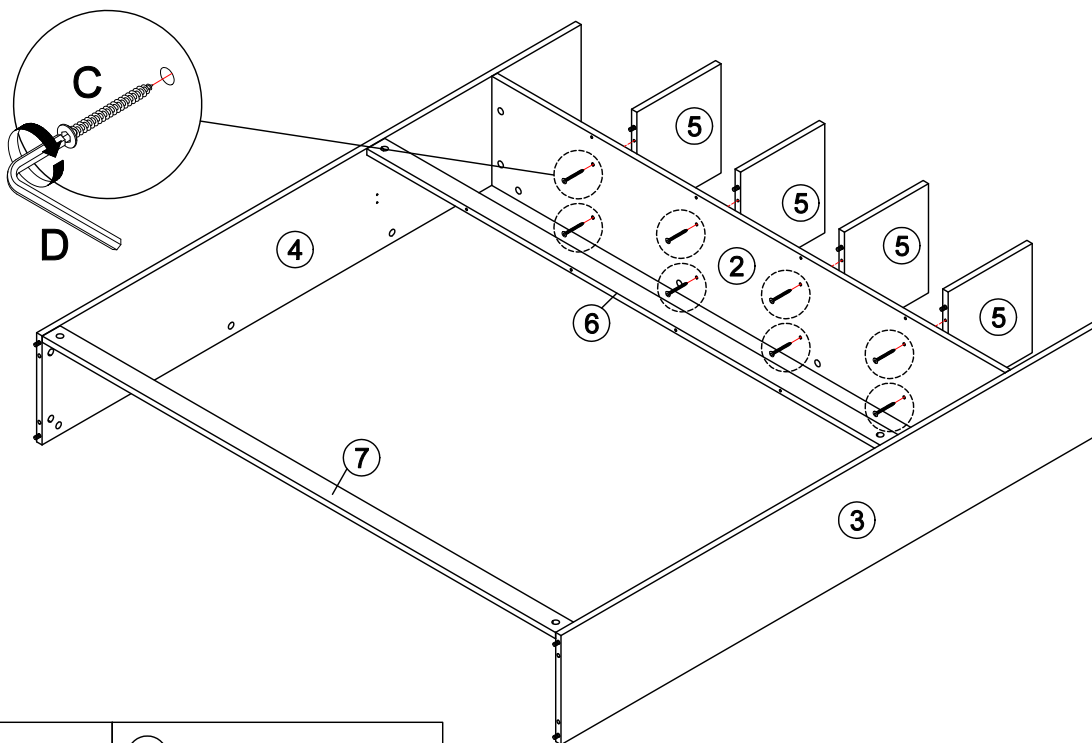
STEP 13



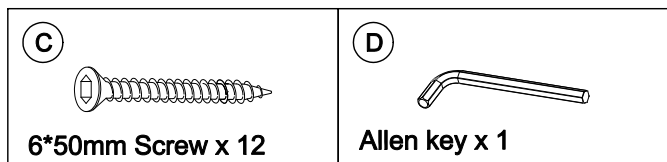
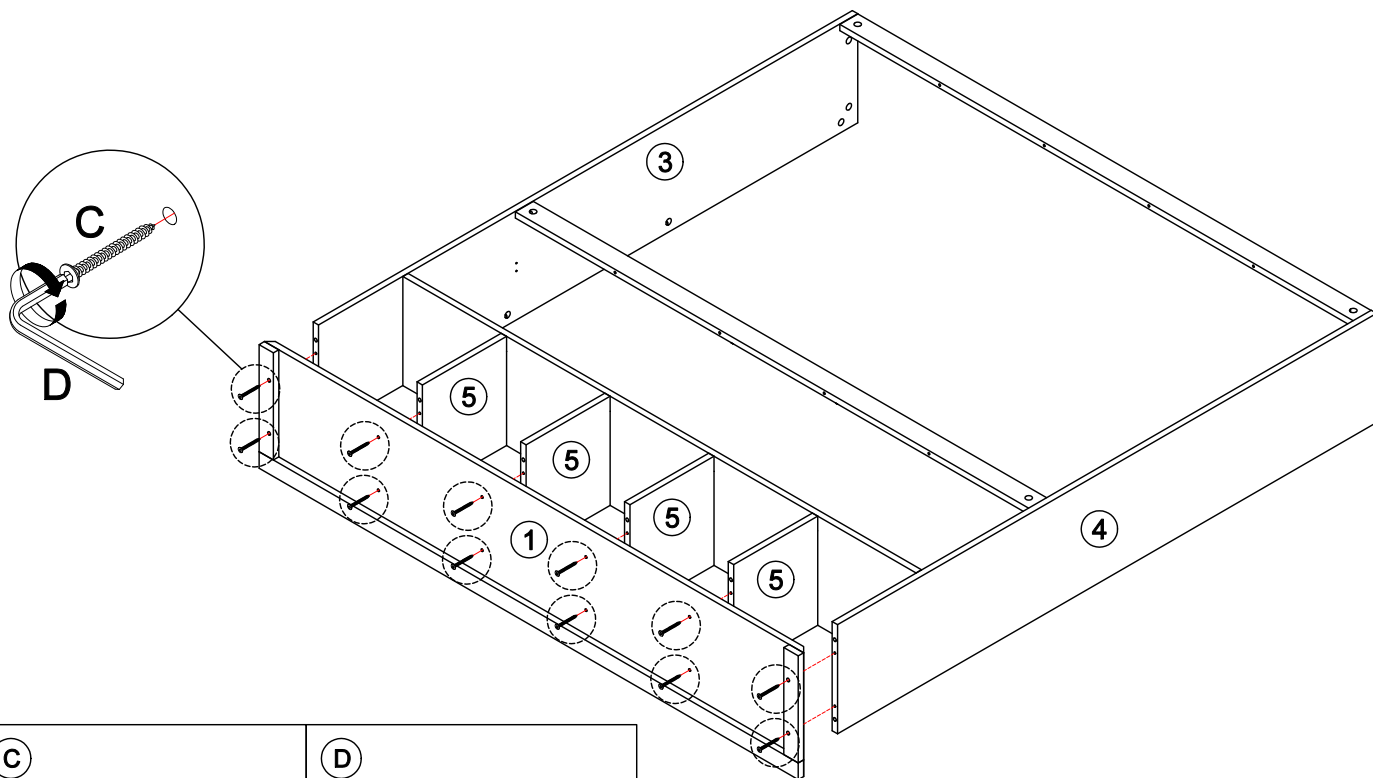
STEP 14



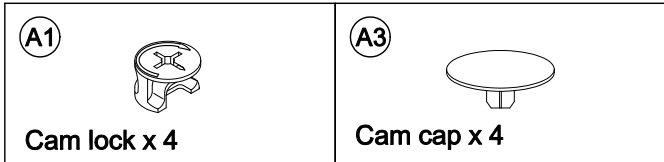
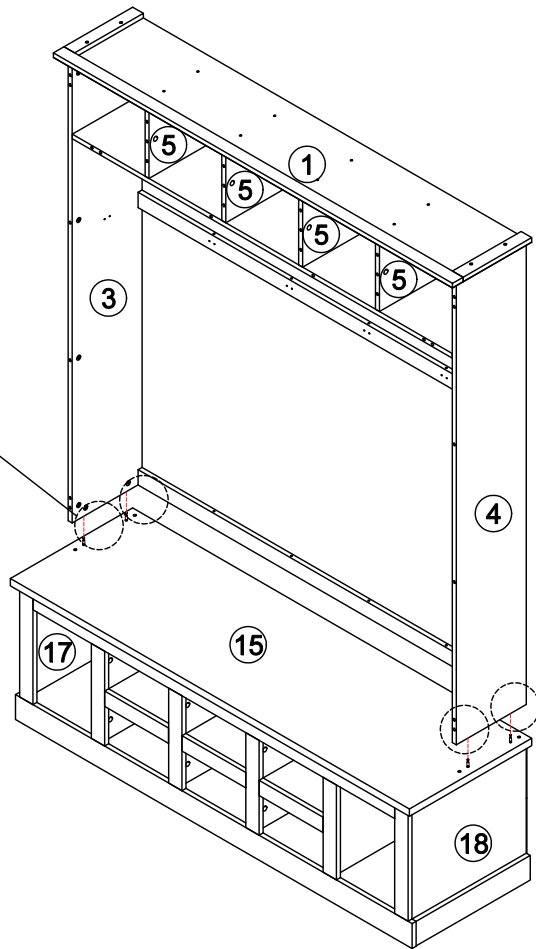
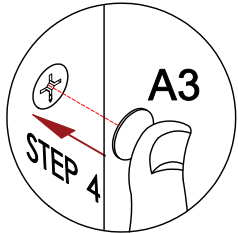
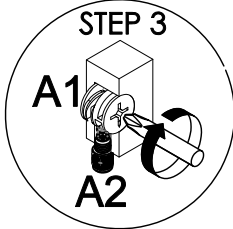
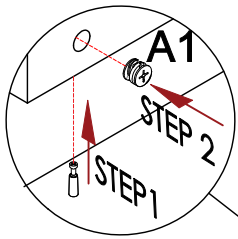
STEP 15



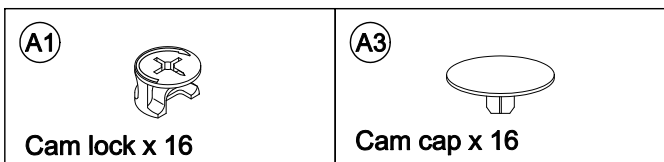
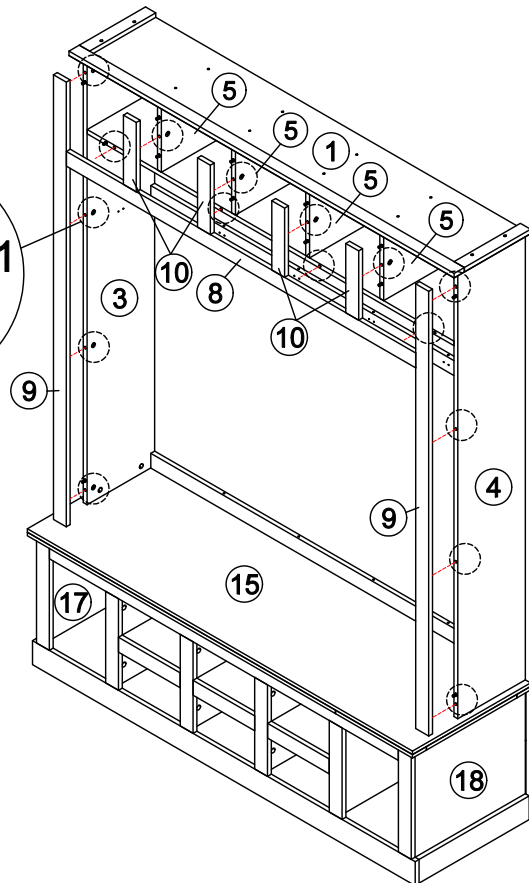
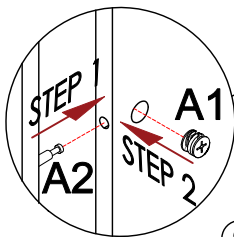
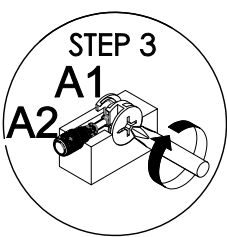
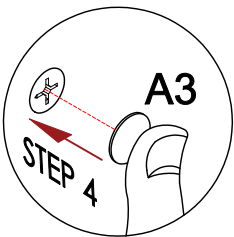
STEP 16



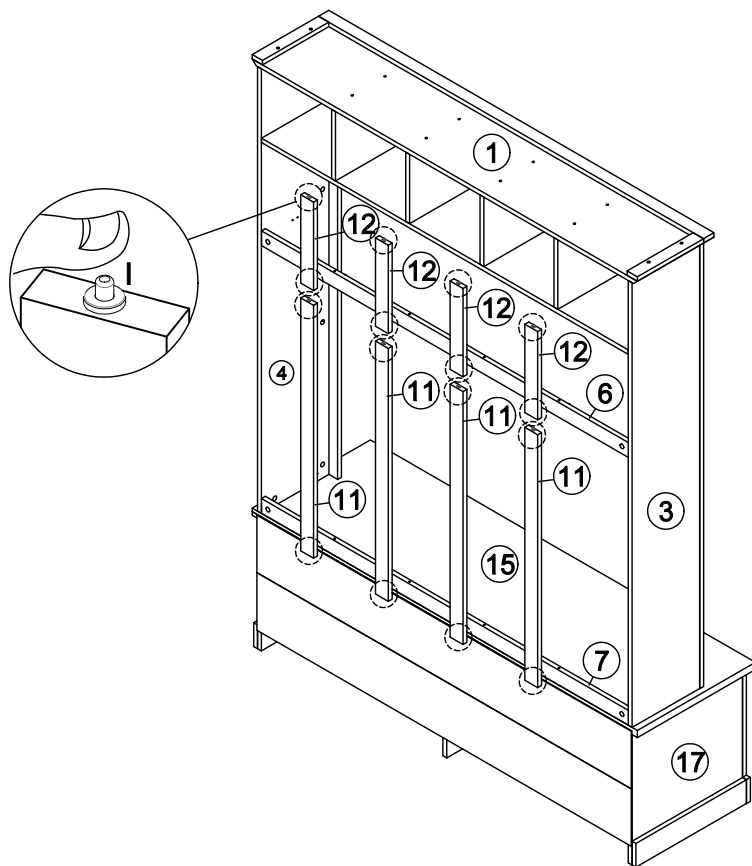
STEP 17



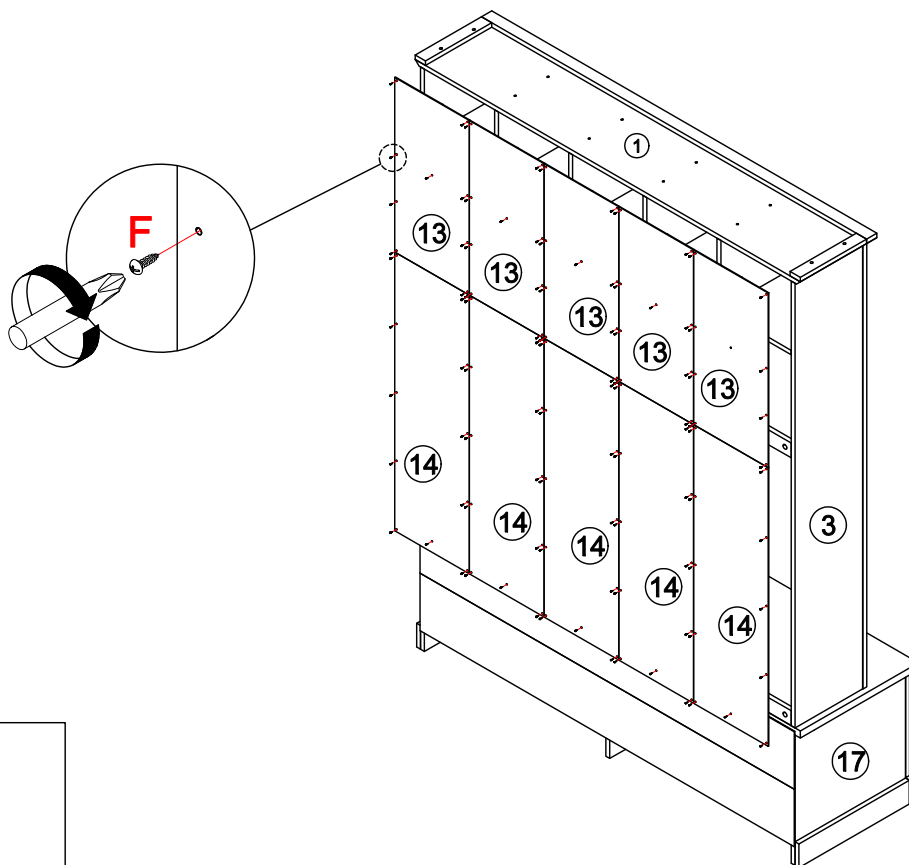
STEP 18



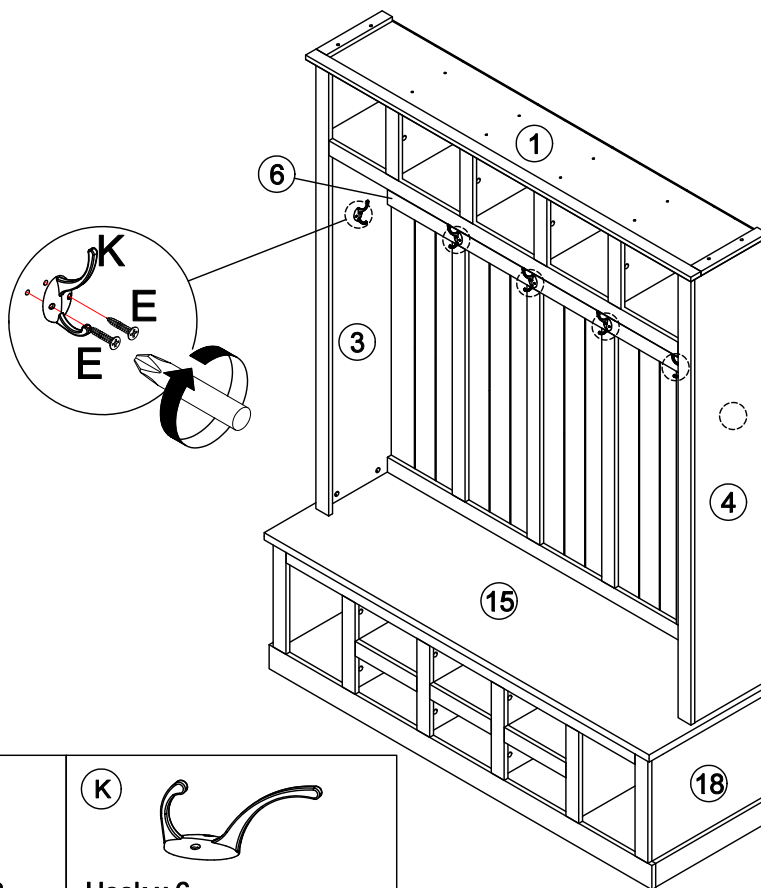
STEP 19

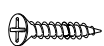



STEP 20

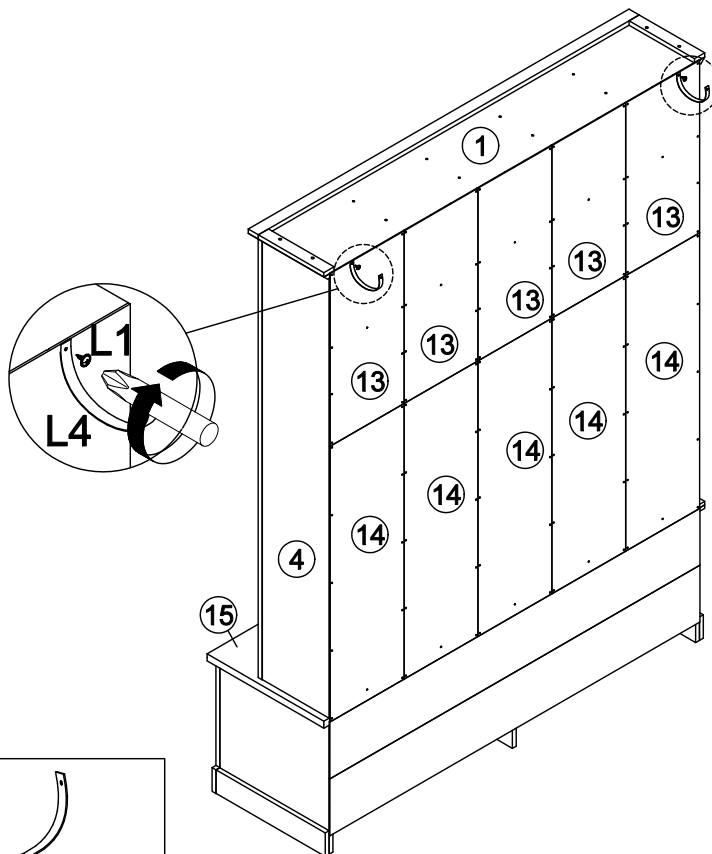




STEP 21



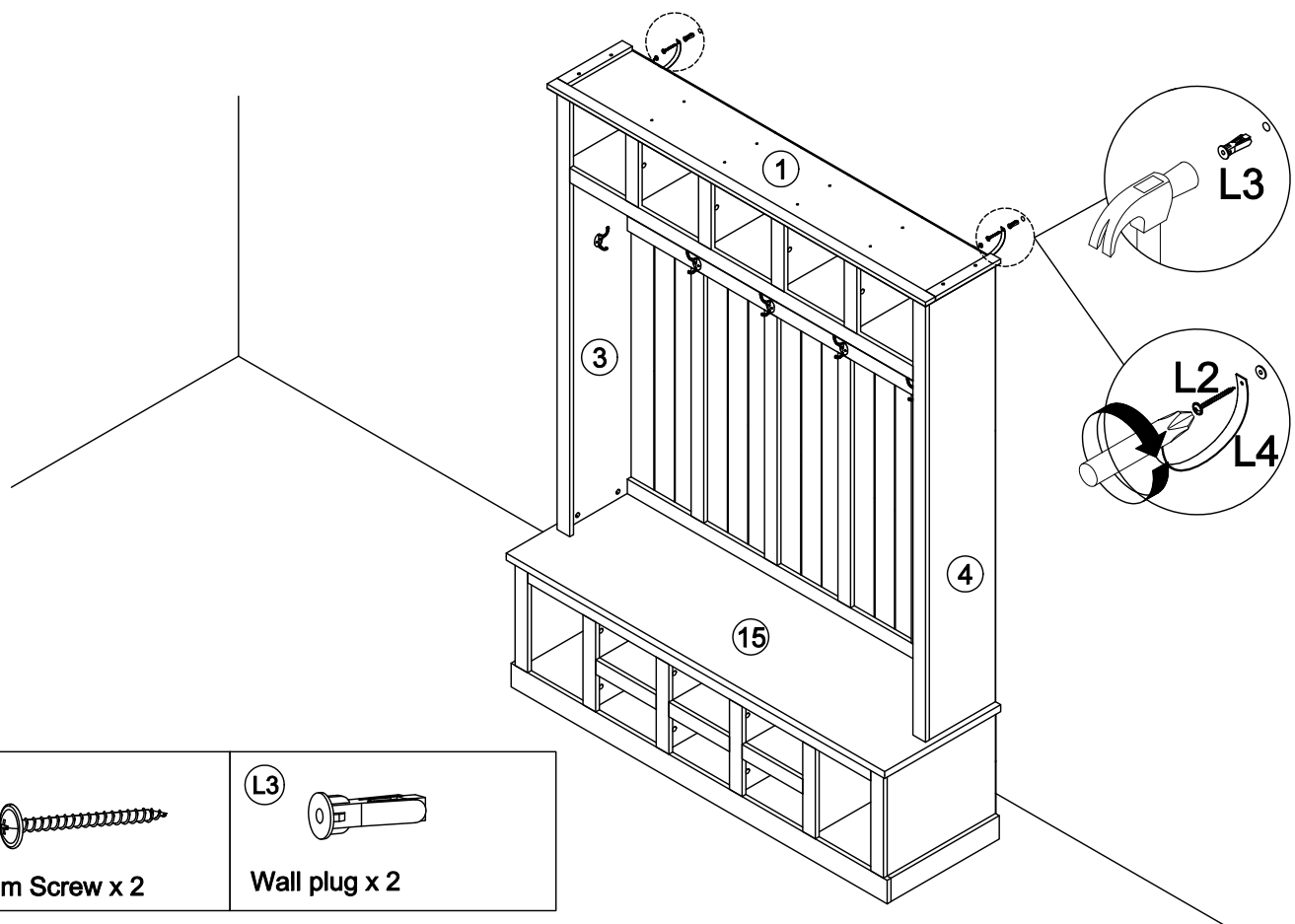
<p>(E)</p>  <p>3.5*16mm Screw x 12</p>	<p>(K)</p>  <p>Hook x 6</p>
---	--

STEP 22



<p>(L1)</p>  <p>4*12mm Screw x 2</p>	<p>(L4)</p>  <p>PVC strip x 2</p>
--	---

STEP 23



STEP 24

