

---

---

# 10ft Offset Hanging Umbrella



Professional Service Team: [Savingmall@aliyun.com](mailto:Savingmall@aliyun.com)  
If need any other assistance, Please feel free to  
contact us. we are always here at your service:)

User Manual

---

---

## General Guidelines

- Please read the following instructions carefully and use the product accordingly.
- Please keep this manual and hand it over when you transfer the product.
- This summary may not include every detail of all variations and considered steps. Please contact us when further information and help are needed.

## Notes

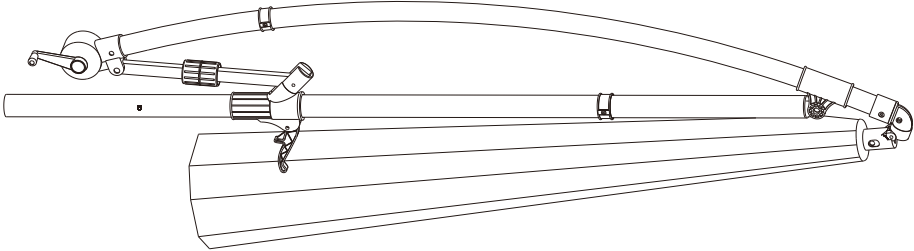

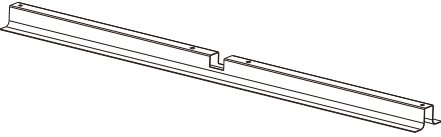
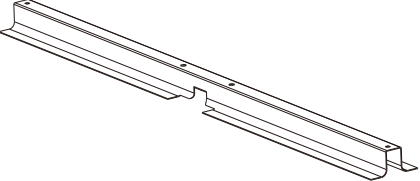
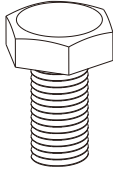

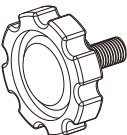
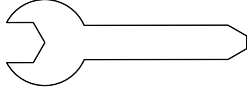
- Personal injury and/or damage to the product may occur if products are used outside of their intended purposes and/or if products have been changed/modified from their original design. The product must be assembled and used in accordance with the provisions of the manual. The seller does not assume any responsibility or liability with respect to any damage caused by incorrect assembly or improper use.
- Carefully check accessories when opening the package. If anything is missing or damaged, please contact us immediately.
- Do not use the parasol without an umbrella stand (NOT included).
- This parasol is only used for shading and decoration purposes.
- Store the parasol in a dry, sheltered place, such as a garage or basement during high winds, rainy days, and the off-season.
- Never force your parasol open. Umbrella mechanics should open gently and easily.
- Do not use sharp tools or equipment such as a knife or scissors when removing the protective material, as it may damage the product.

## Warnings

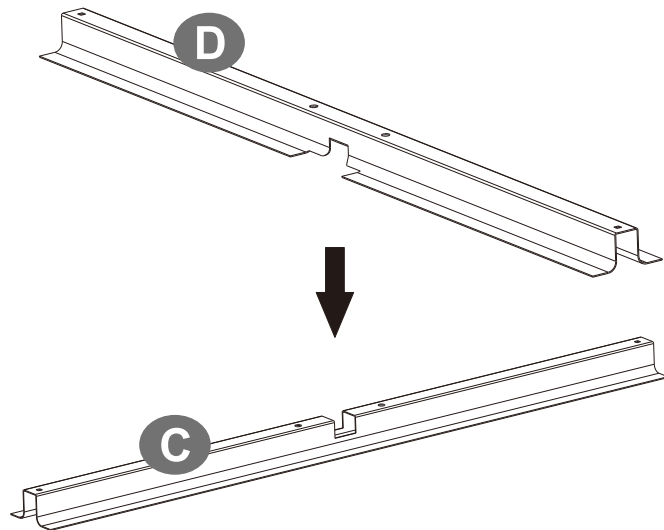
- Keep children away when assembling the product. Small parts are included in the package; they may be fatal if swallowed or inhaled.
- To avoid the potential dangers of suffocation, please keep all parts and packaging (film, plastic bags, foam, etc.) away from babies and children.
- Keep the parasol away from fire; do not use it during extreme cold and heat, and severe weather like rainy, windy, snowy days, and hailstorms, etc.

## Daily Maintenance

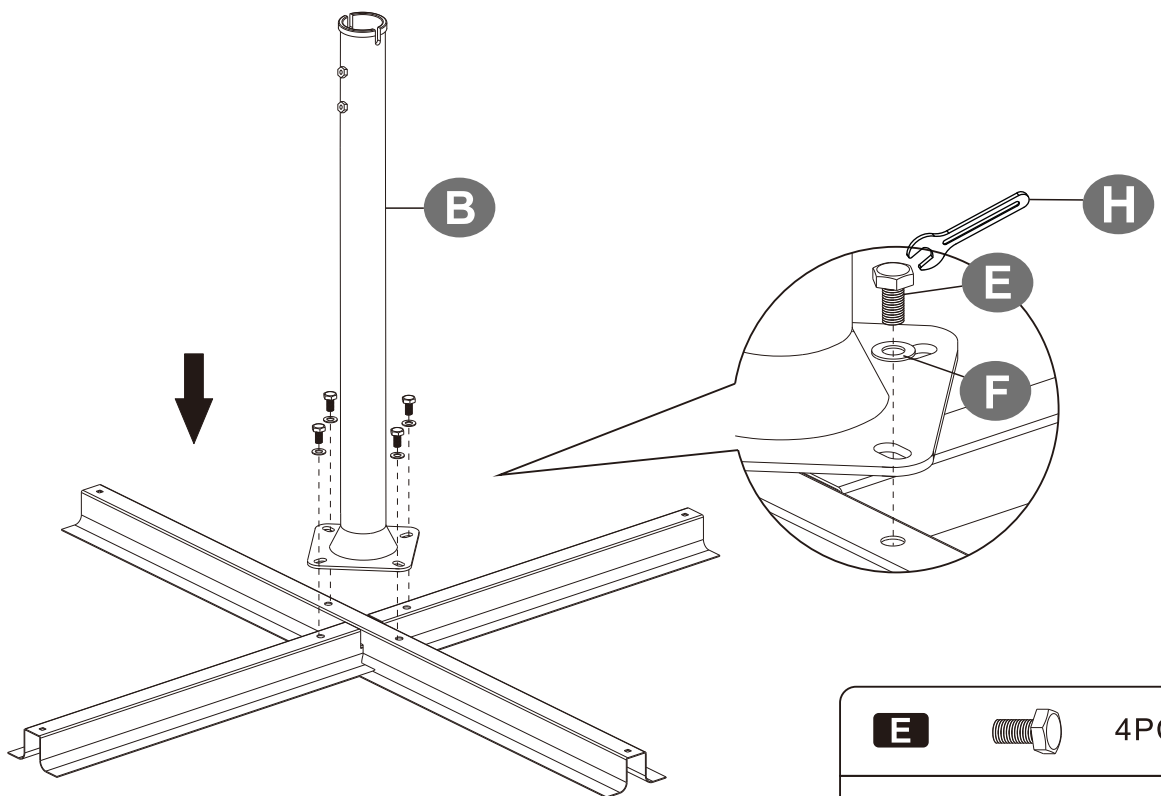
- Clean the canopy with a soft cloth moistened with a neutral detergent. Store it after completely drying, which will help reduce the growth of mold.
- Do not machine wash, do not dry.
- Do not iron.

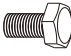

<p><b>A</b> <span style="float: right;">× 1</span></p> 		
<p><b>B</b> <span style="float: right;">× 1</span></p> 	<p><b>C</b> <span style="float: right;">× 1</span></p> 	
<p><b>D</b> <span style="float: right;">× 1</span></p> 	<p><b>E</b> <span style="float: right;">× 4</span></p> 	
<p><b>F</b> <span style="float: right;">× 4</span></p> 	<p><b>G</b> <span style="float: right;">× 2</span></p> 	<p><b>H</b> <span style="float: right;">× 1</span></p> 

1

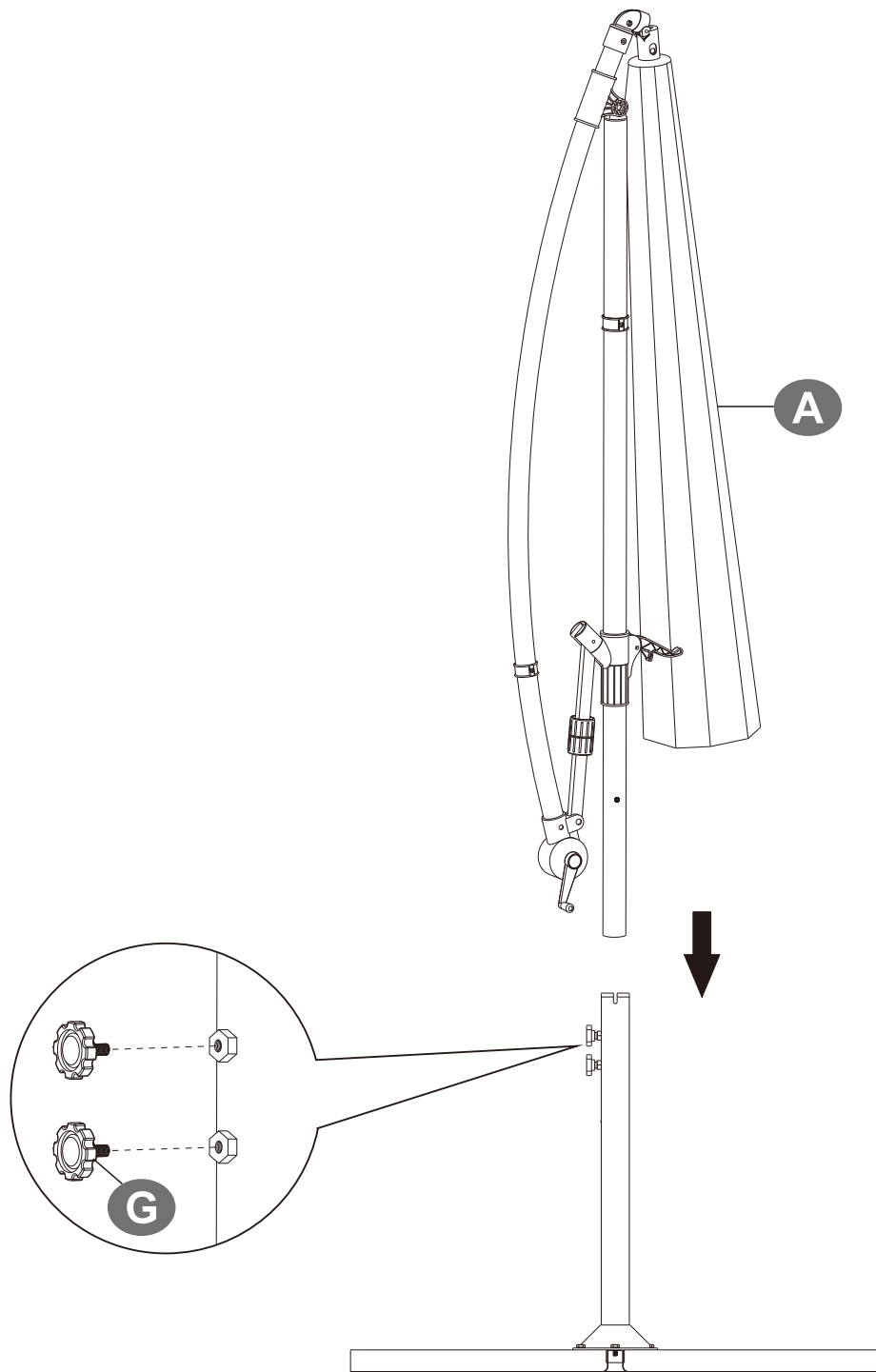


2



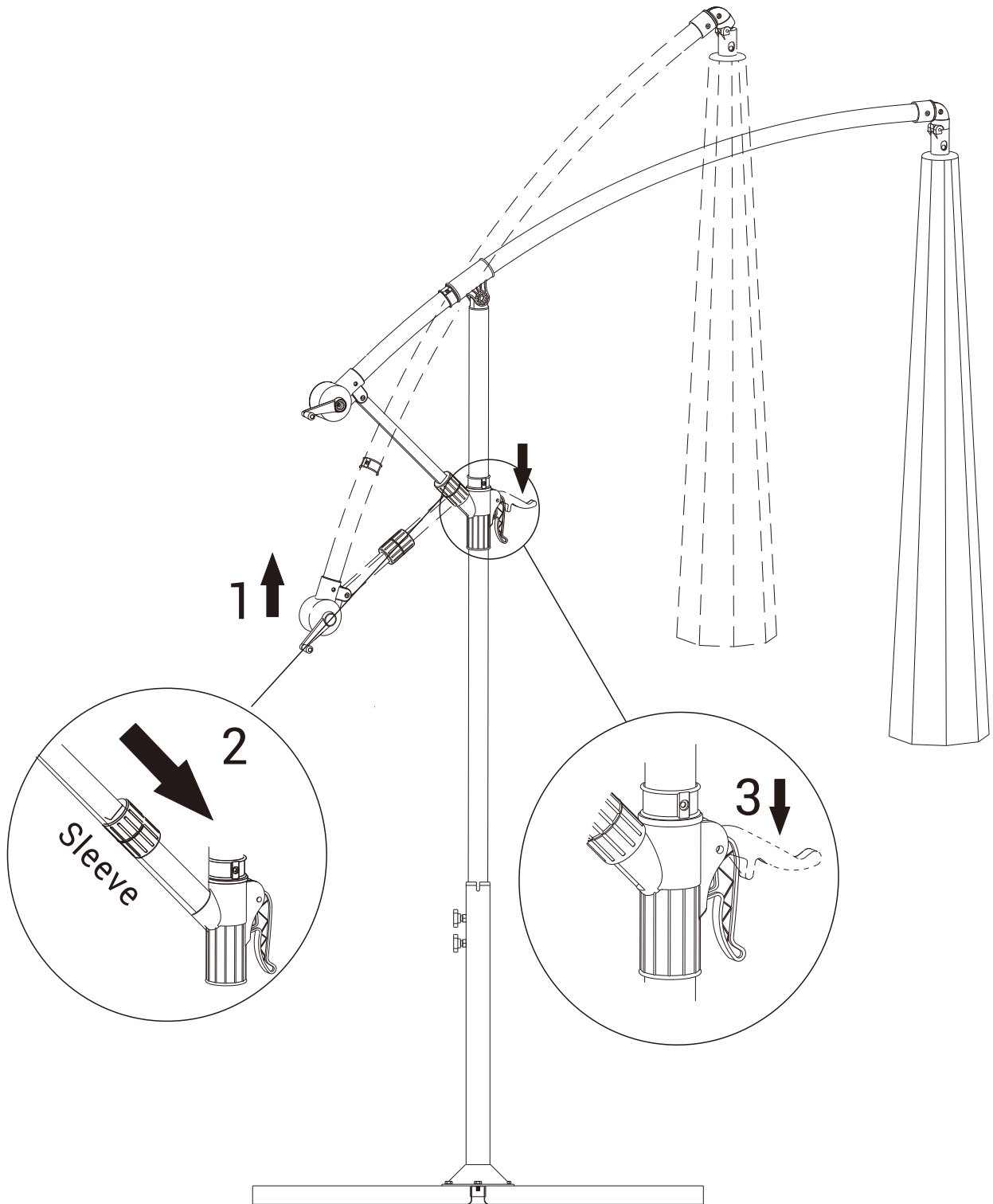
<b>E</b>		4PCS
<b>F</b>		4PCS

3

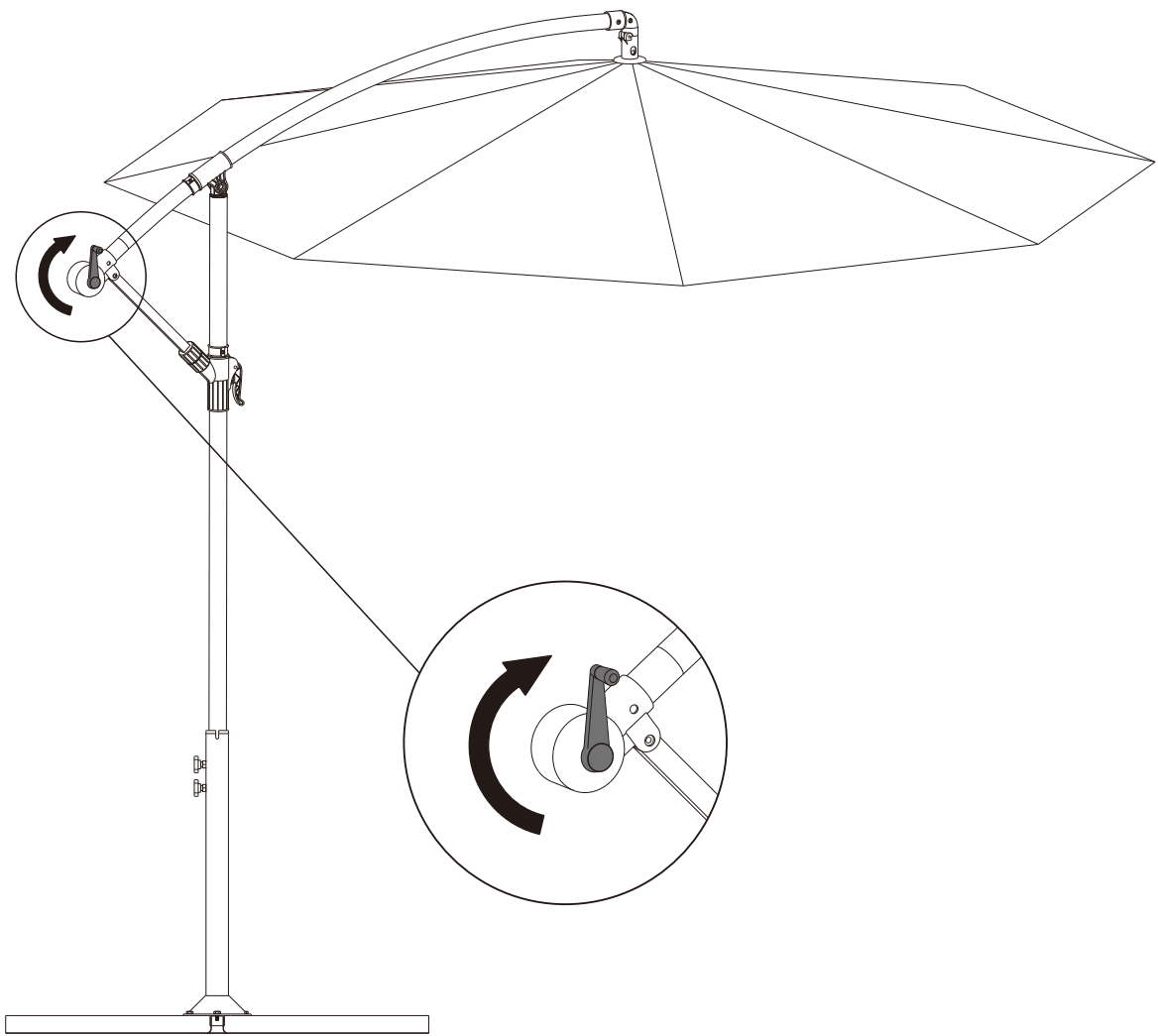


**4**

# How to open



5



6

# How to close

