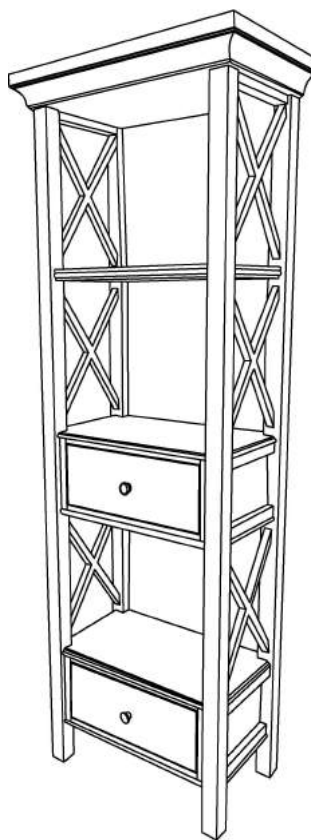


ASSEMBLY INSTRUCTIONS



ASSEMBLY RATING

The Assembly Rating is a 5-point system that shows the degree of effort needed in assembling a specific product (with 1 being easy and 5 being difficult). For some products, two persons are recommended.



Tools Required For Assembly:

Allen Wrench



(Included)

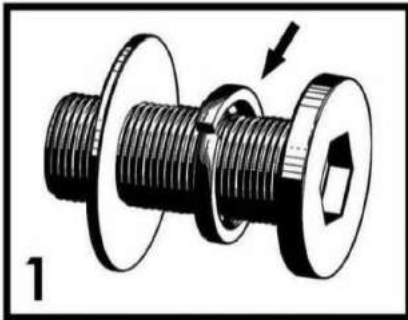


2 PERSONS RECOMMENDED

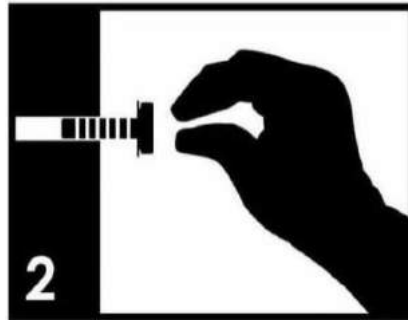
ASSEMBLY & CARE ADVICE

FOR YOUR FURNITURE TO LAST, CORRECT ASSEMBLY AND PROPER MAINTENANCE ARE NECESSARY. PLEASE FOLLOW THE INFORMATION PROVIDED BELOW TO FULLY ENJOY YOUR FURNITURE.

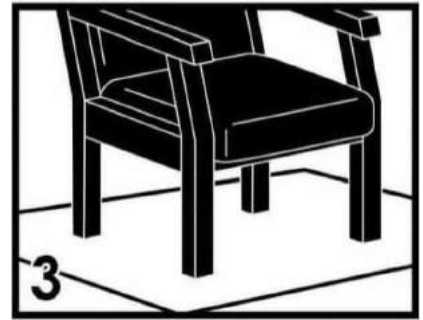
BASIC ASSEMBLY TECHNIQUES



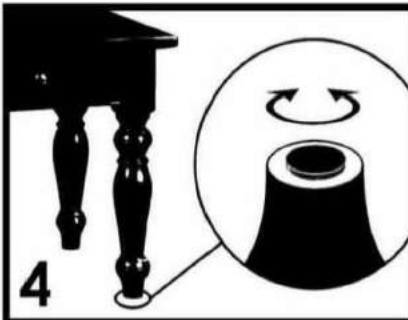
When lock or spring washer is used in an assembly, please make sure the lock or spring washer is placed between the larger flat washer and the head of the screw or bolt.



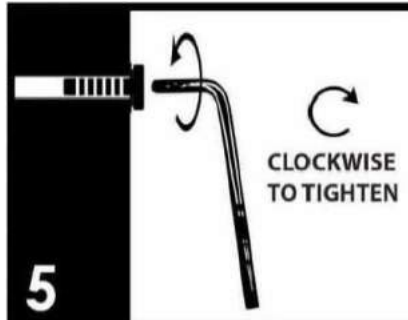
Position each part correctly and insert screws or bolts into their respective holes by hand tighten or using the proper hand tool. Only tighten when step is completed or when instructed to do so.



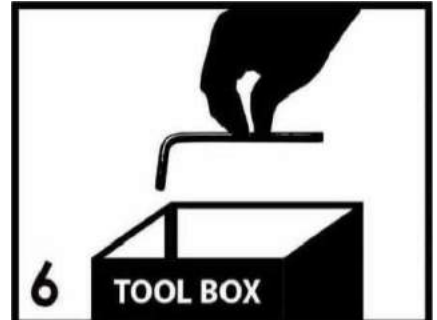
Use cardboard or carpet area when assembling furniture to prevent scratches. Make sure the furniture rests on a flat and level surface with each leg evenly touching the floor.



Some furniture comes with height adjustment knobs underneath each leg. To lower or to raise each leg, you need to turn clockwise or counterclockwise, respectively.

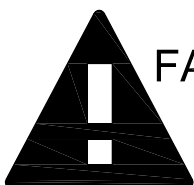


Make sure all parts are properly aligned, then use the appropriate hand tool to completely tighten the bolts or screws. Do not use power tools and do not overtighten.



Save the instructions and store the Allen wrench or any supplied tool for later maintenance. After two weeks, check and tighten any loose hardware and repeat again every six months thereafter.

IT IS THE USER'S RESPONSIBILITY TO MAINTAIN THE FURNITURE. THE HARDWARE MAY LOOSEN OVER TIME AND MAY CAUSE THE FURNITURE TO BE WOBBLY AND UNABLE TO SUPPORT ITS INTENDED WEIGHT CAPACITY. THIS MAY LEAD TO COLLAPSE AND MAY CAUSE SERIOUS INJURY.



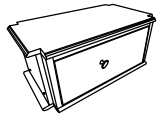
FAILURE TO FOLLOW THE GUIDELINES ABOVE MAY RESULT IN INJURY AND/OR PROPERTY DAMAGE.



Before you begin, please read Page 2 of "Assembly and Care Advice".

And remember, do not tighten until each step is completed or instructed.

Parts List



#1 x 2pcs
Drawer



#2 x 2pcs
Side Frame



#3 x 1pc
Shelf

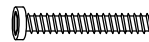


#4 x 1pc
Back Panel



#5 x 1pc
Top Frame

Hardware List



#A x 20pcs
Bolt Ø5/16"X1-3/8"



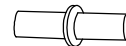
#B x 20pcs
Lock Washer Ø5/16"



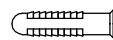
#C x 20pcs
Flat Washer Ø5/16"



#D x 1pc
Allen Wrench M5



#E x 4pcs
Shelf Support



#F x 1pc
Wall Anchor



#G x 1pc
Tightwire

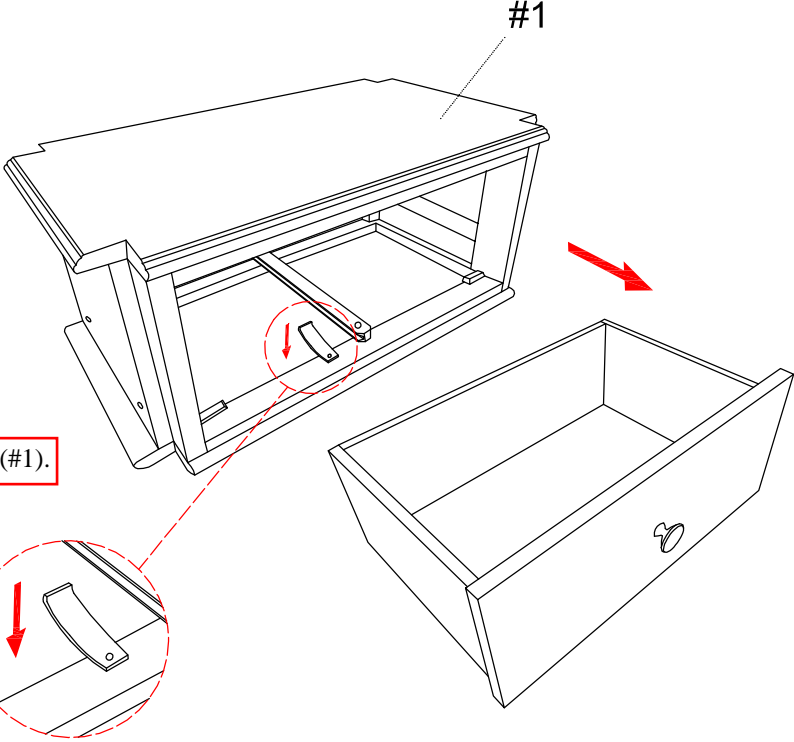
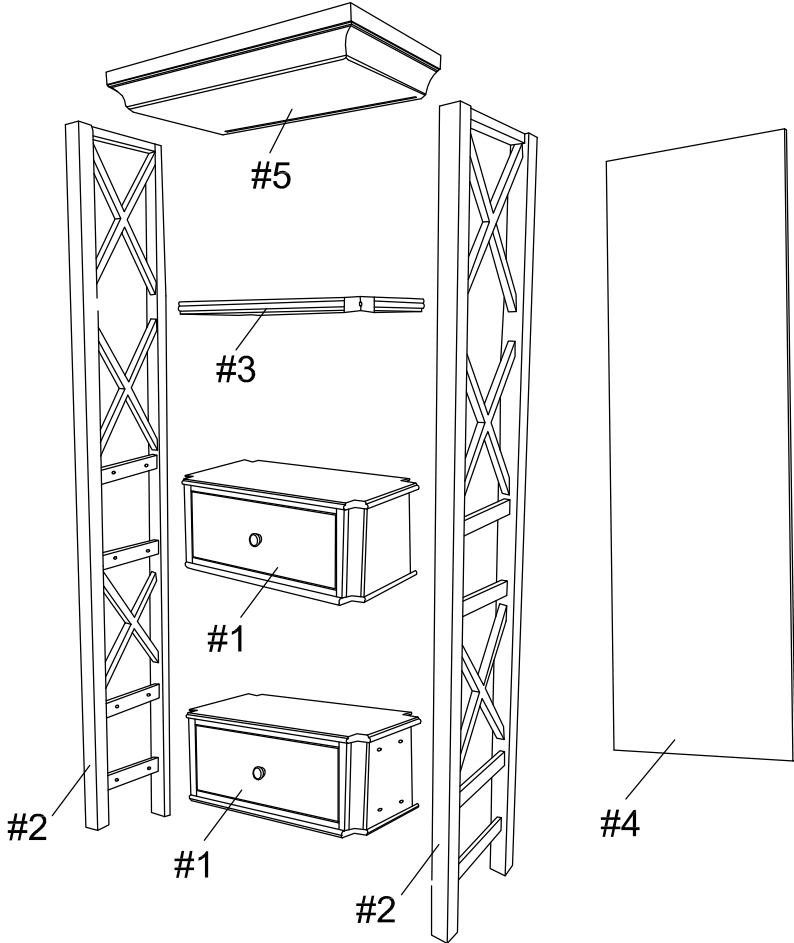


#H x 1pc
Long Wood Screw



#I x 1pc
Short Wood Screw

Exploded View



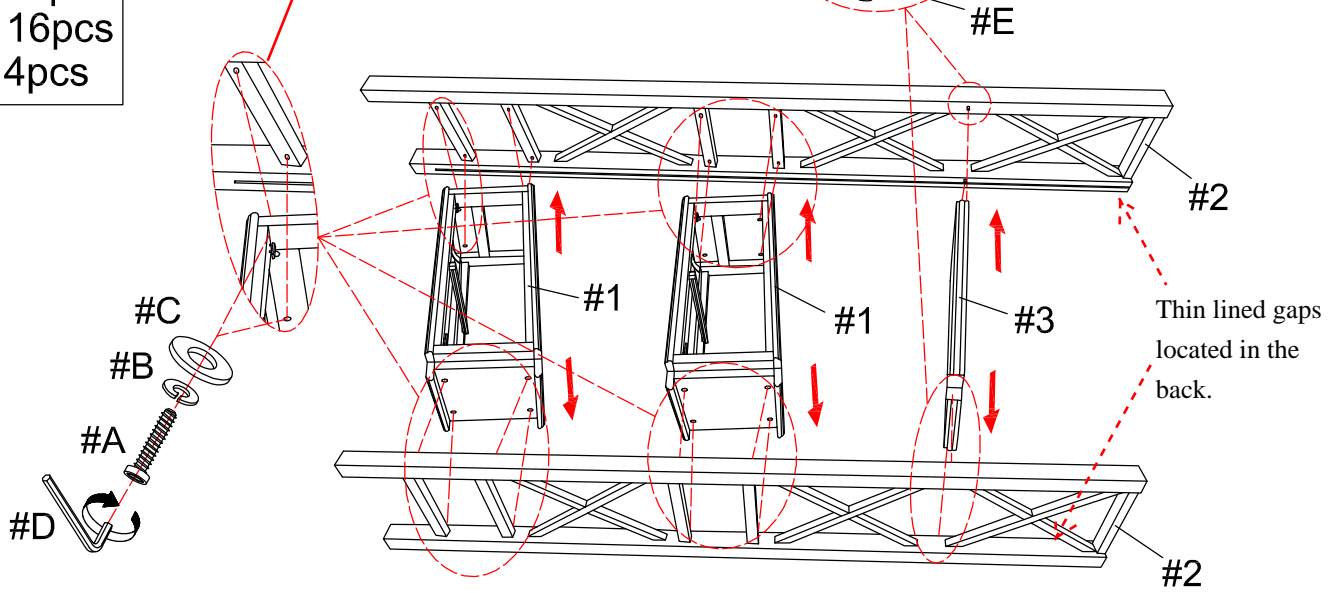
Press bottom tab to pull out the drawers (#1).



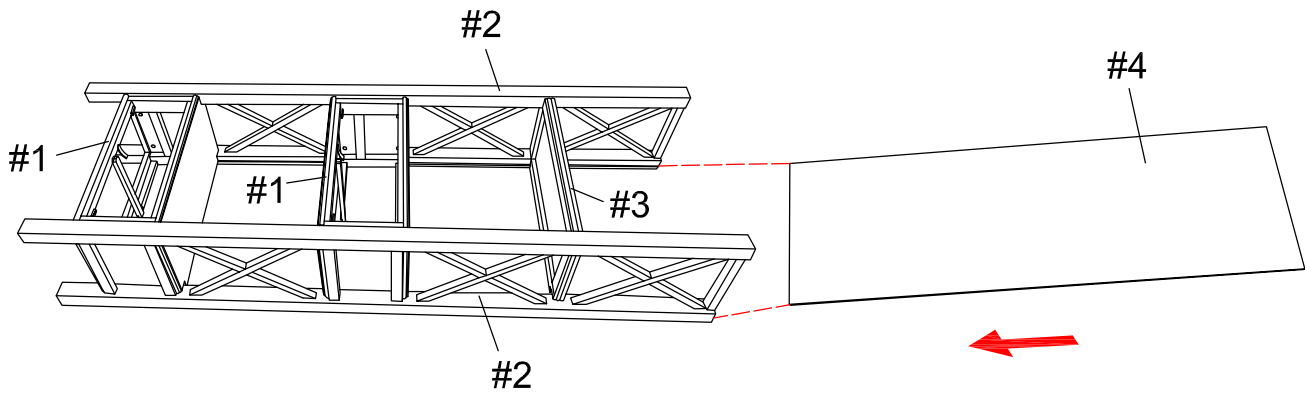
#A x 16pcs
 #B x 16pcs
 #C x 16pcs
 #E x 4pcs

2) Align drawers (#1) to the holes of the side frames (#2), then secure by using bolts (#A) with washers (#B,C).

1) Insert shelf supports (#E) to the holes of the side frames (#2), then attach shelf (#3) to the shelf supports (#E).



Slide back panel (#4) through the thin lined gaps of the side frames (#2).

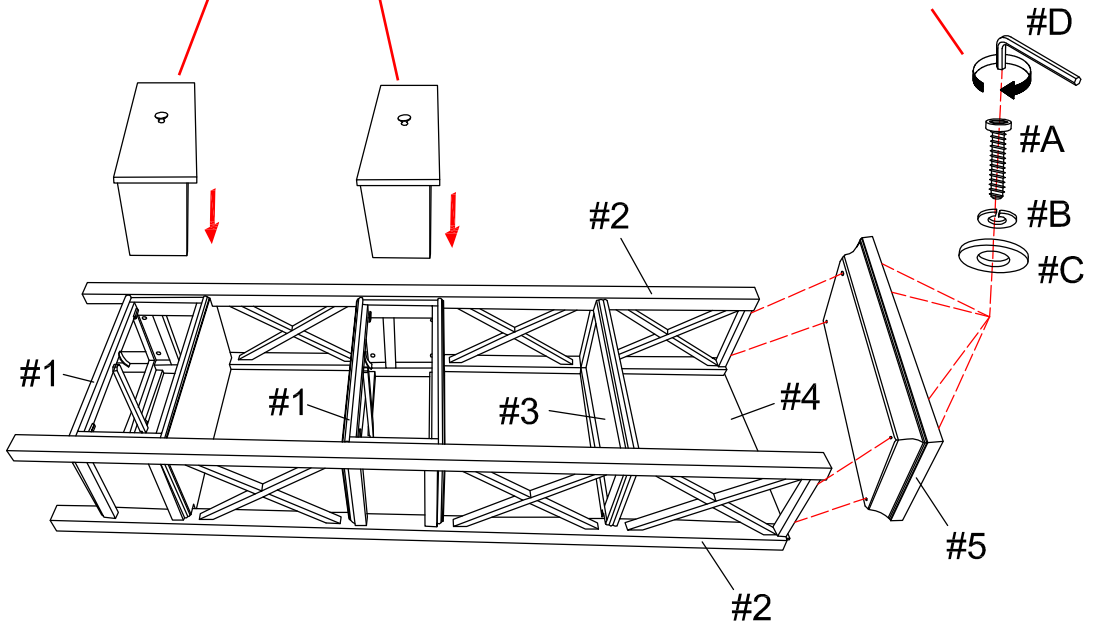




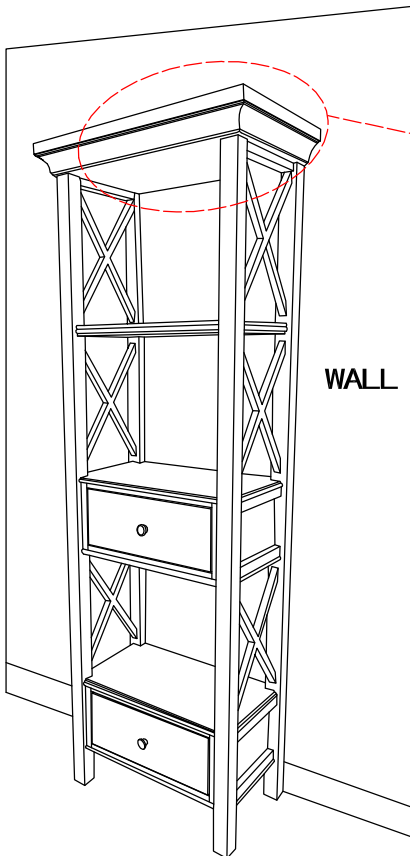
Attach drawers back together with the product.

Align top frame (#5) to the holes of the side frames (#2), then secure by using bolts (#A) with washers (#B,C).

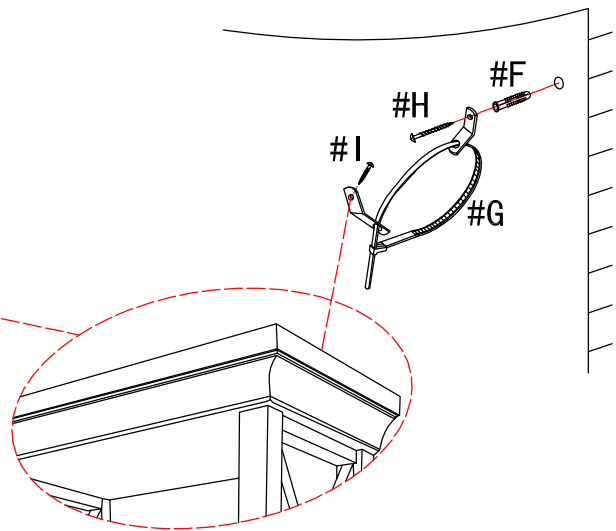
#A x 4pcs
#B x 4pcs
#C x 4pcs



#F x 1pc
#G x 1pc
#H x 1pc
#I x 1pc



WALL



ATTENTION:Anti tipping safeguard
Please install the Anti tipping hardware as shown in the drawing, this can help to prevent any tipping issues.

FURNITURE TIPPING RESTRAINT

WARNING

Injury may result from tipping furniture

This restraint is not a substitute for proper adult supervision. This restraint may provide protection against tipping furniture.

Do not allow children to climb on furniture.

Failure to detach this restraint before moving furniture may result in injury and damage