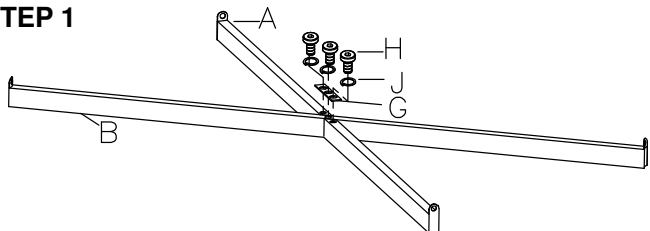


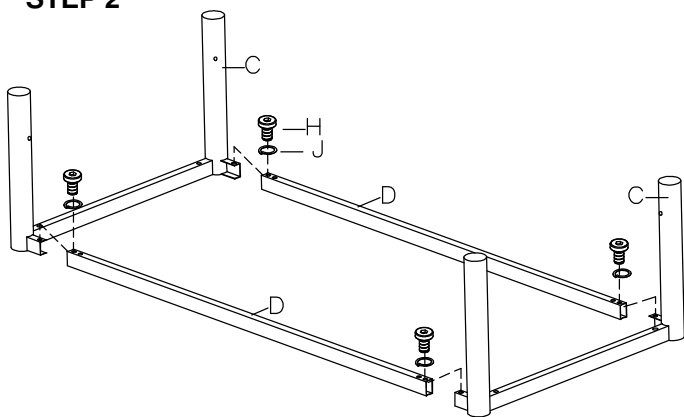
ASSEMBLY INSTRUCTIONS COCKTAIL TABLE BASE

Thank you for purchasing this quality product. Be sure to check all packing material carefully for small part that may have come loose inside the carton during shipment.

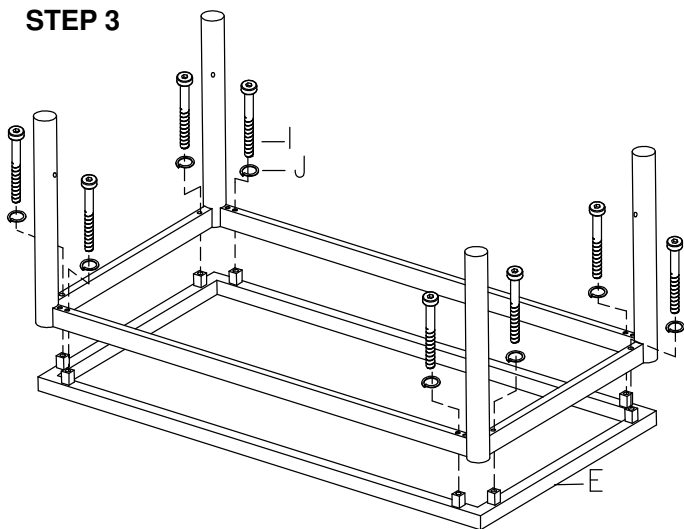
STEP 1



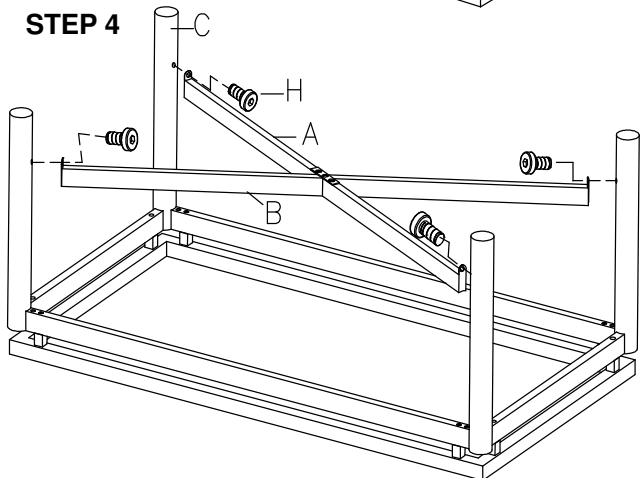
STEP 2



STEP 3



STEP 4



Parts List

NO	DESCRIPTION	SKETCH	QTY
A	BOTTOM SHORT STRECHER		2PCS
B	BOTTOM LONG STRECHER		1PC
C	LEG FRAME		2PCS
D	TOP RAIL		2PCS
E	METAL FRAME		1PC
F	GLASS TOP		1PC
G	MOUNTING PLATE		1PC

Hardware List

NO	DESCRIPTION	SKETCH	QTY
H	BOLT 1/4"x13mm		11PCS
I	BOLT 1/4"x76mm		8PCS
J	SPRING WASHER 1/4"		15PCS
K	GLASS PAD		6PCS
L	ALLEN KEY		1PC
M	STRAIGHT ALLEN KEY 1/4"X4"L		1PC

NOTE: Straight Allen Key (M) is for use with a power drill.

STEP 5

