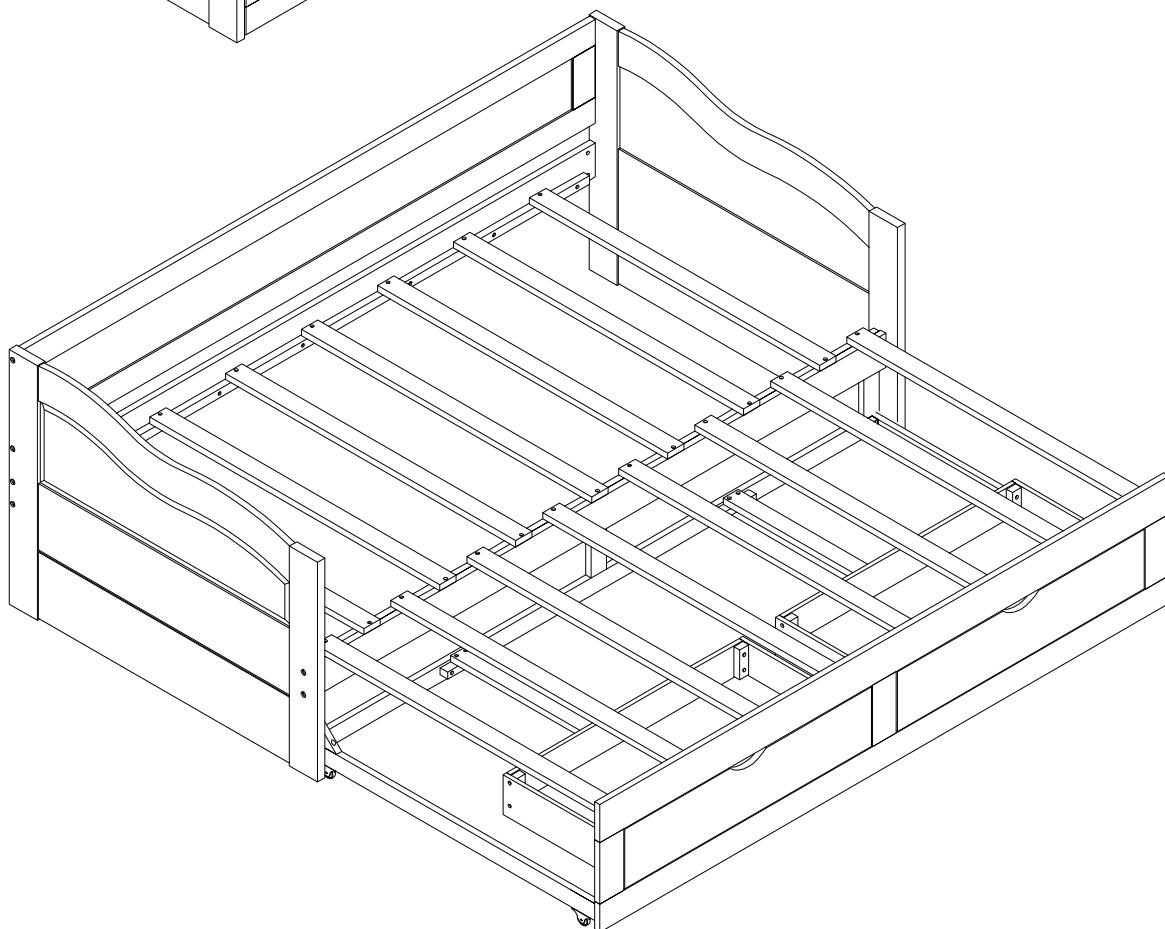
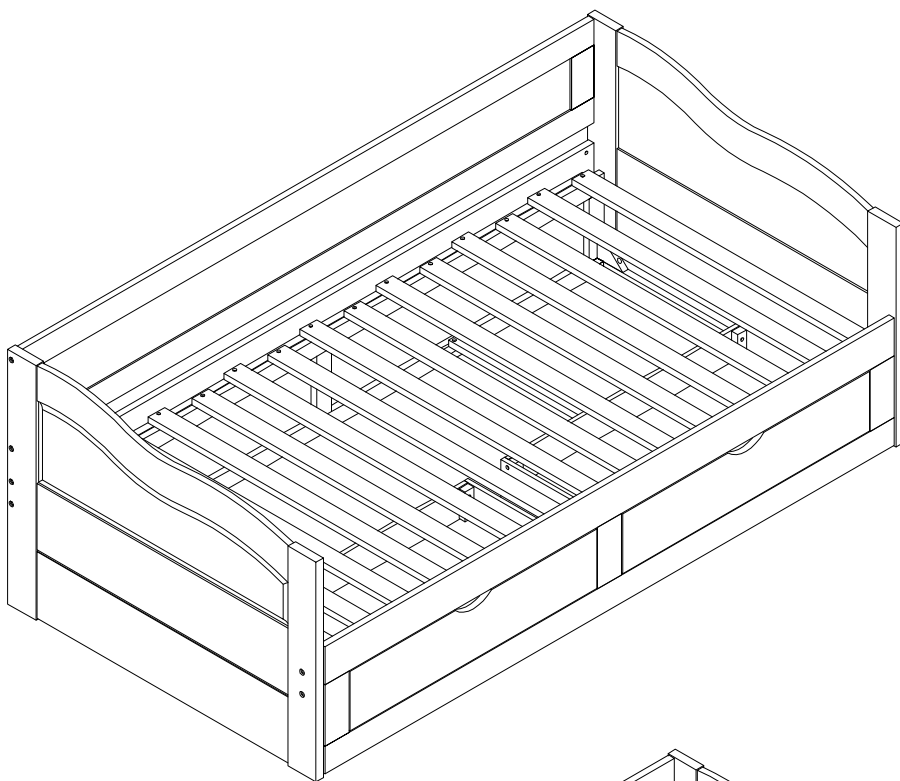
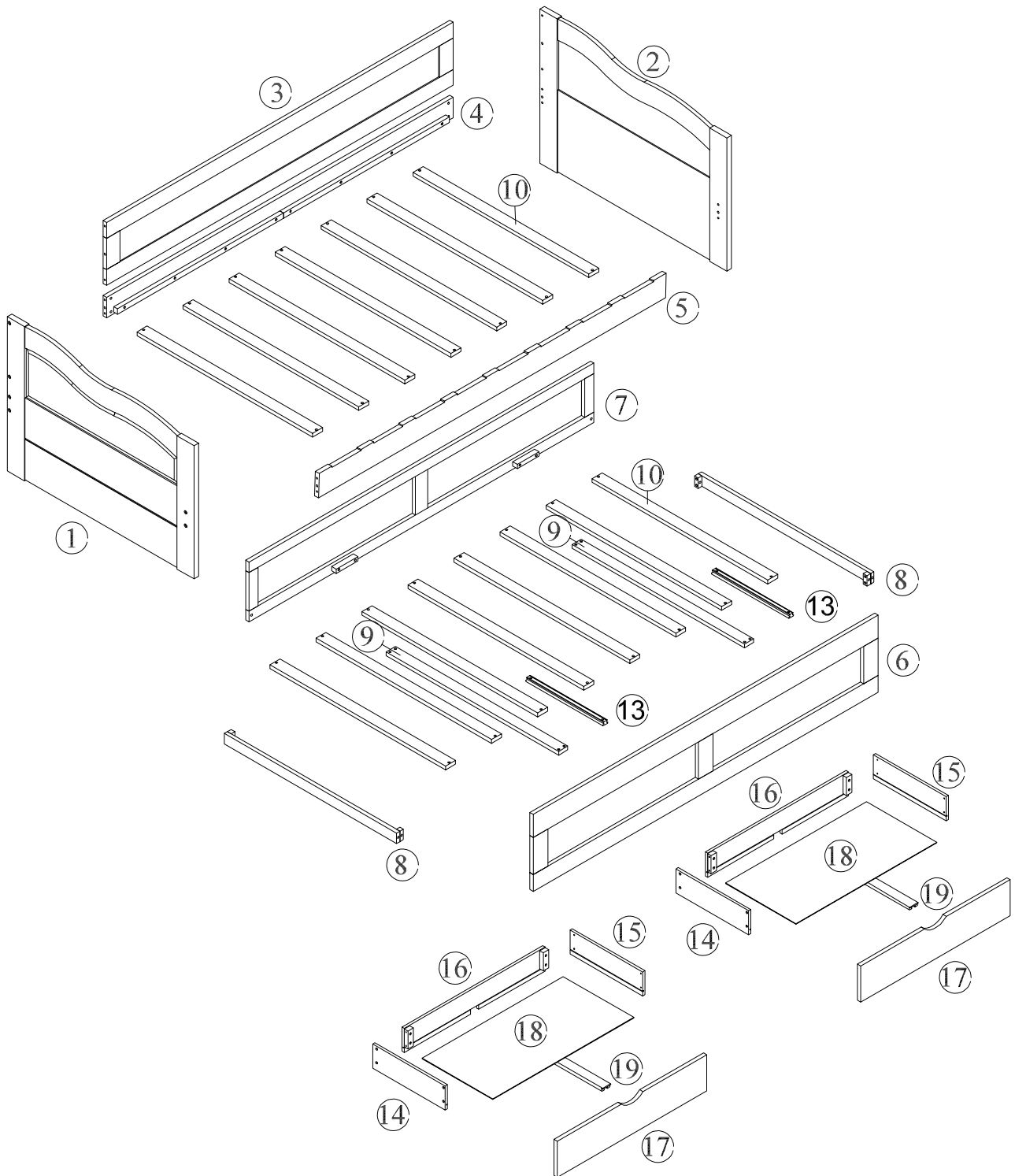


ASSEMBLY INSTRUCTION

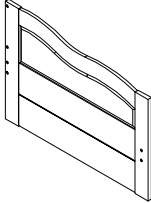
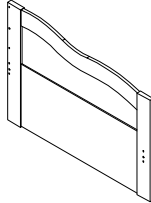
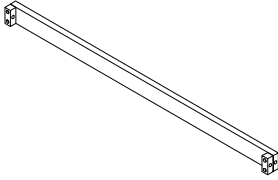
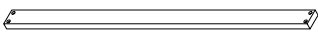
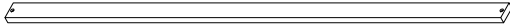
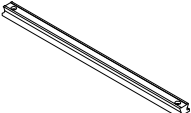
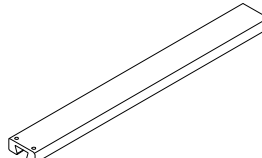


Detail View - DAY BED

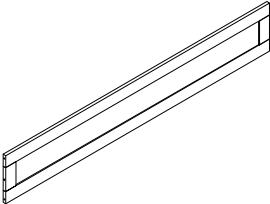

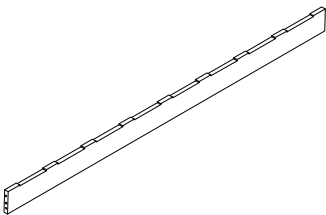
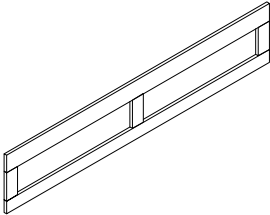
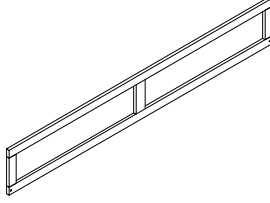
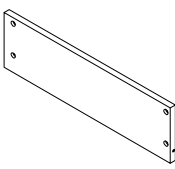
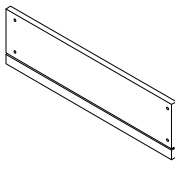
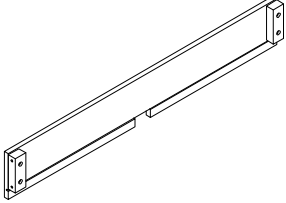
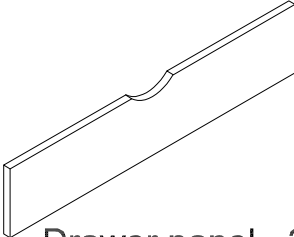
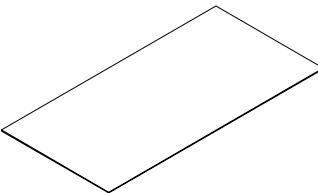


Identifying the Hardware - Identify the hardware using the illustrations below.




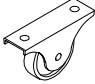


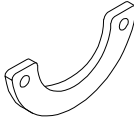
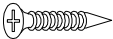

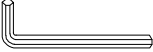
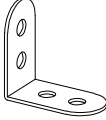
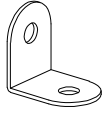
Part List

| | |
|---|---|
| <p>1</p>  <p>Left headboard - 1pc</p> | <p>2</p>  <p>Right headboard - 1pc</p> |
| <p>8</p>  <p>Side bonding bar - 2pcs</p> | <p>9</p>  <p>Mid bonding bar - 2pcs</p> |
| <p>10</p>  <p>Bed board - 15pcs</p> | <p>13</p>  <p>Wooden slider - 2pcs</p> |
| <p>19</p>  <p>Wooden slider - 2pcs</p> | |

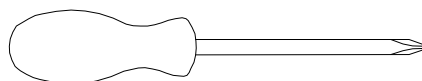
Part List

| | |
|---|--|
| <p>3</p>  <p>Back guard rail frame - 1pc</p> | <p>4</p>  <p>Bed side plate - 1pc</p> |
| <p>5</p>  <p>Bed side plate - 1pc</p> | <p>6</p>  <p>Front frame - 1pc</p> |
| <p>7</p>  <p>Rear frame - 1pc</p> | <p>14</p>  <p>Drawer left side panel - 2pcs</p> |
| <p>15</p>  <p>Drawer right side panel - 2pcs</p> | <p>16</p>  <p>Drawer back plate - 2pcs</p> |
| <p>17</p>  <p>Drawer panel - 2pcs</p> | <p>18</p>  <p>Drawer bottom plate - 2pcs</p> |




Hardware List

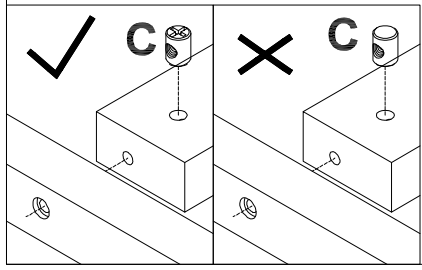
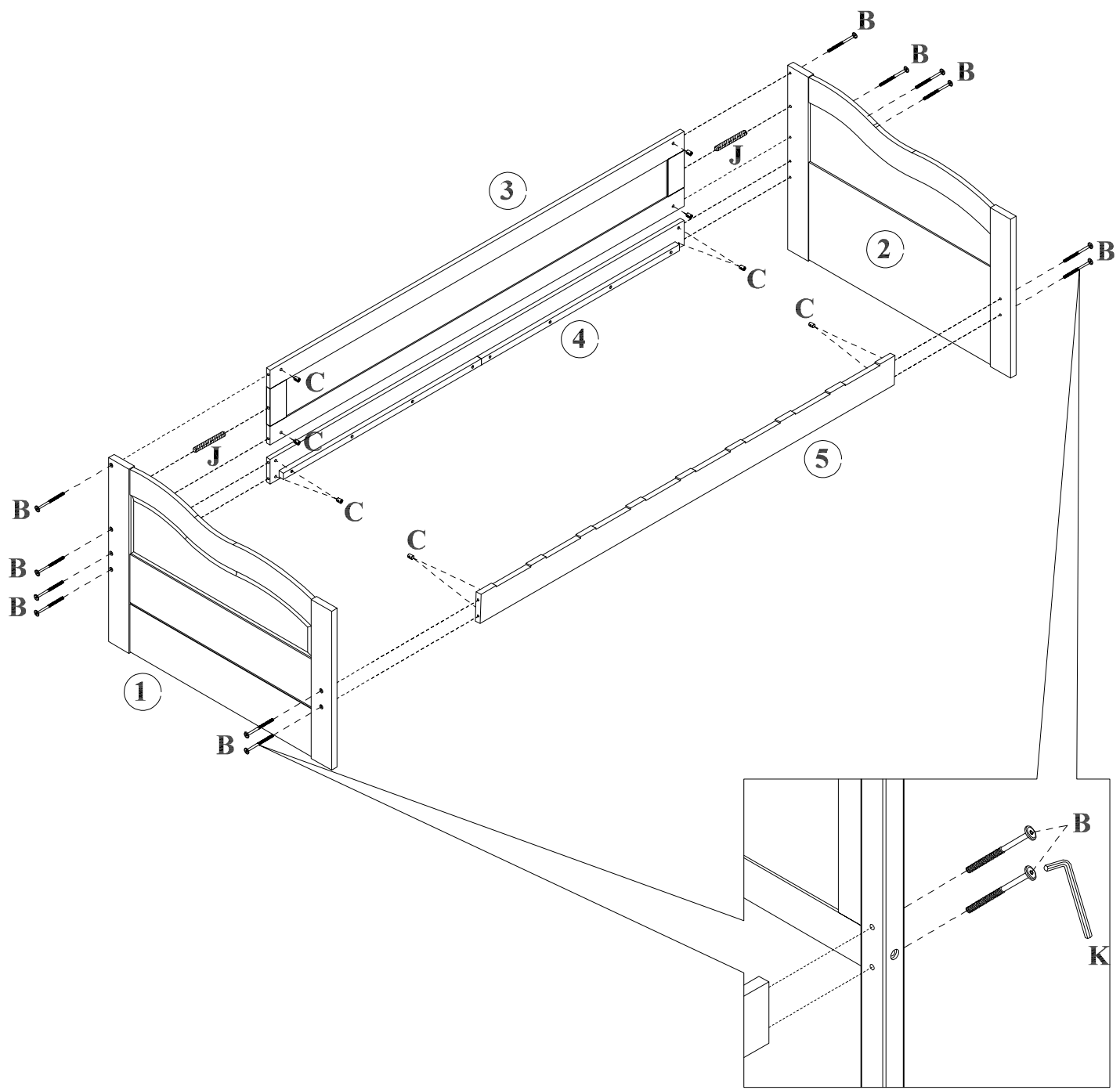
| | | |
|--|--|---|
| <p>A</p>  <p>ø13x1/4"x30mm</p> | <p>B</p>  <p>ø13x1/4"x70mm</p> | <p>C</p>  <p>ø10x13mm</p> |
| <p>Hex-Head bolts(4pcs)</p> | <p>Hex-Head bolts(12pcs)</p> | <p>Horizontal-Hole bolts(12PCS)</p> |
| <p>E</p>  | <p>F</p>  <p>ø7xø3.5x15mm</p> | <p>G</p>  <p>ø8xø4x30mm</p> |
| <p>Wheels (4pcs)</p> | <p>Flat head screw(8pcs)</p> | <p>Round head screw(70pcs)</p> |
| <p>H</p>  | <p>Y</p>  <p>ø7xø3.5x12mm</p> | <p>J</p>  <p>ø8x30mm</p> |
| <p>Blocks semicircular(2pcs)</p> | <p>Flat head screw(36pcs)</p> | <p>Wood dowel(8pcs)</p> |
| <p>K</p>  <p>4mm</p> | <p>L</p>  | <p>M</p>  |
| <p>Allen key(1pc)</p> | <p>L Bracket(4pcs)</p> | <p>L Bracket(8pcs)</p> |

ASSEMBLY TOOLS REQUIRED (NOT INCLUDED)

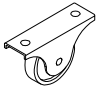



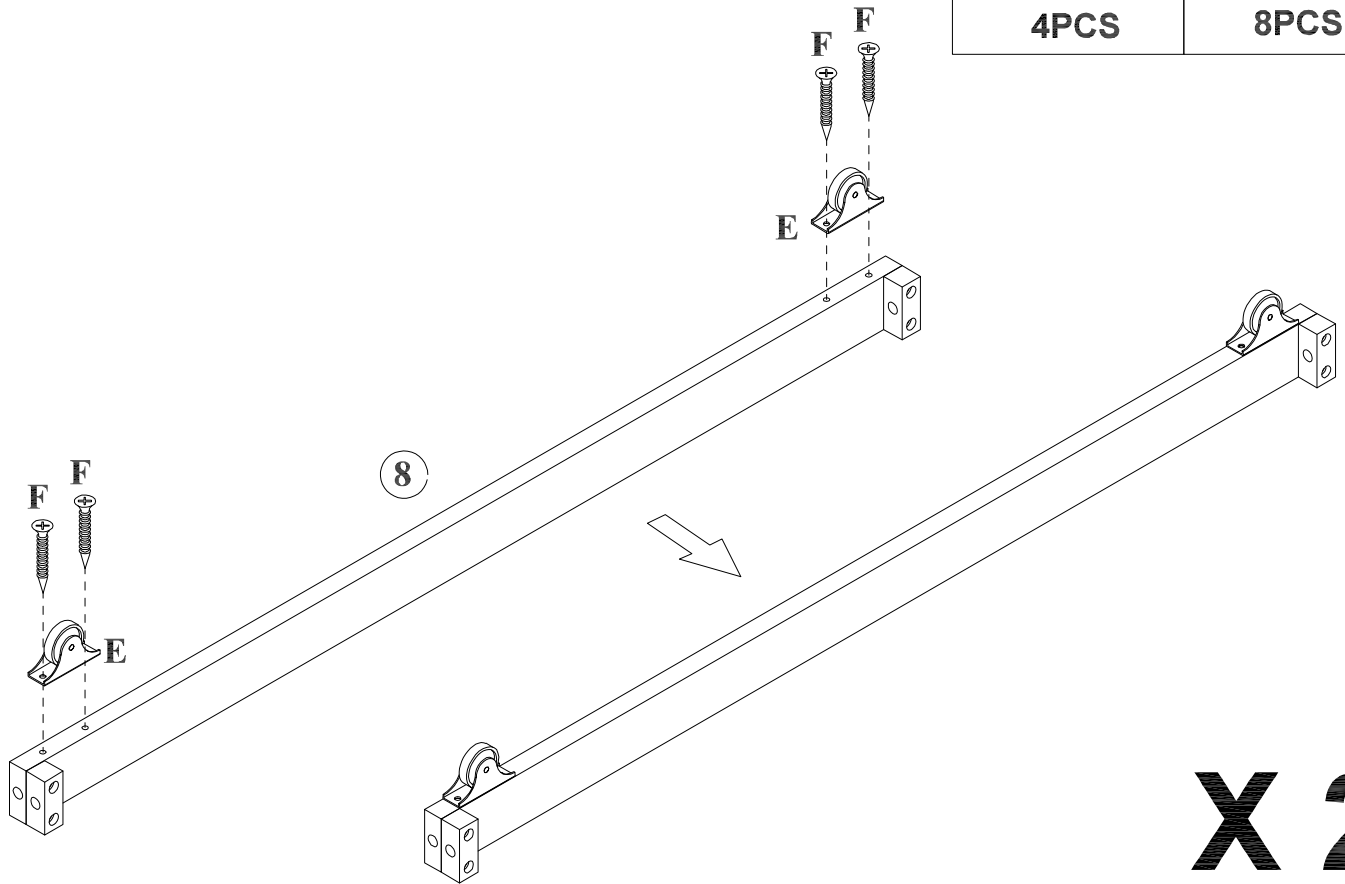
STEP: 1

| B | C | J |
|--|---|---|
|  |  |  |
| 12PCS | 12PCS | 2PCS |





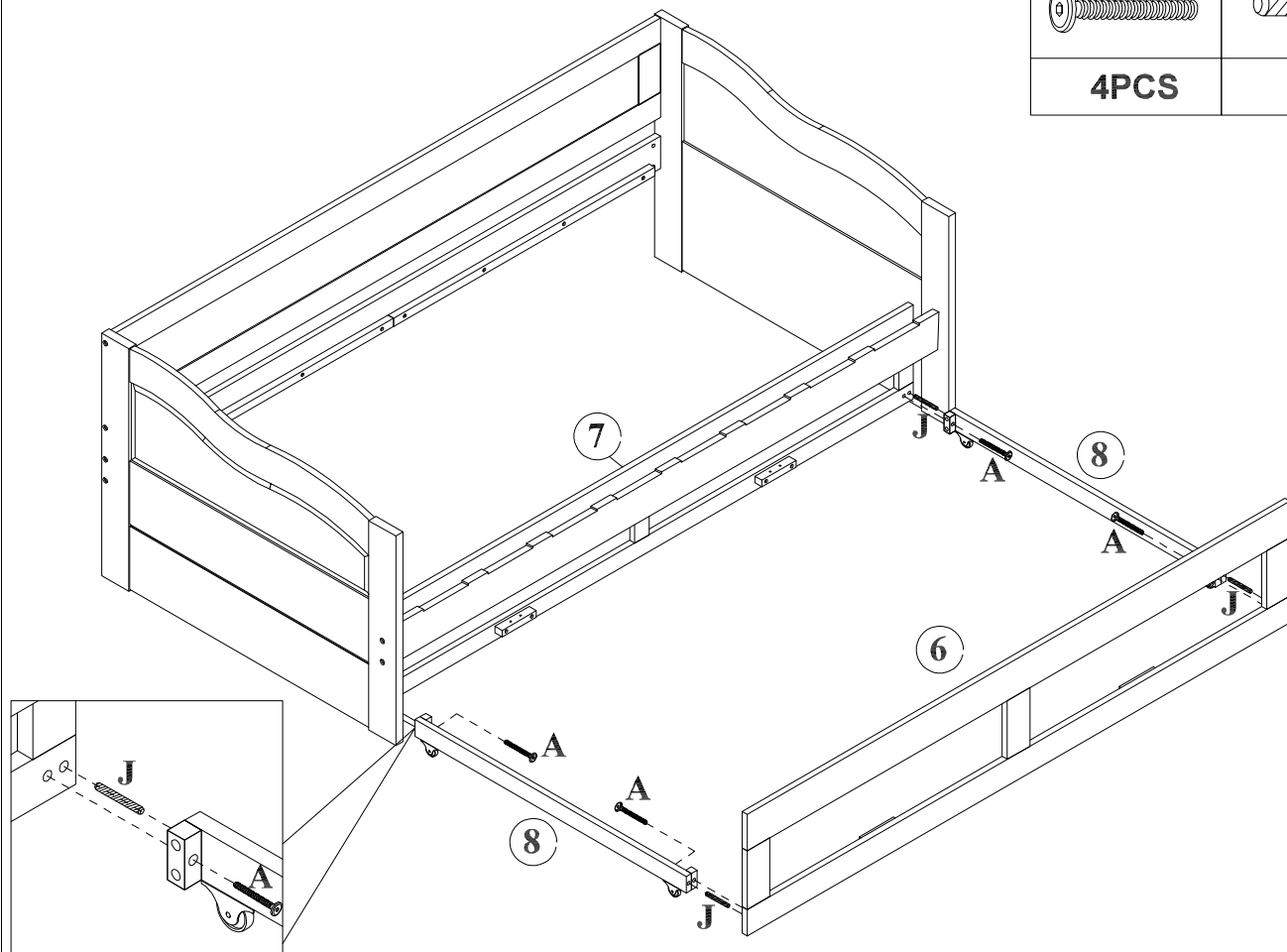
STEP: 2

| | | | |
|-------------|---|-------------|---|
| E |  | F |  |
| 4PCS | | 8PCS | |


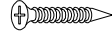
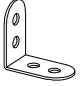


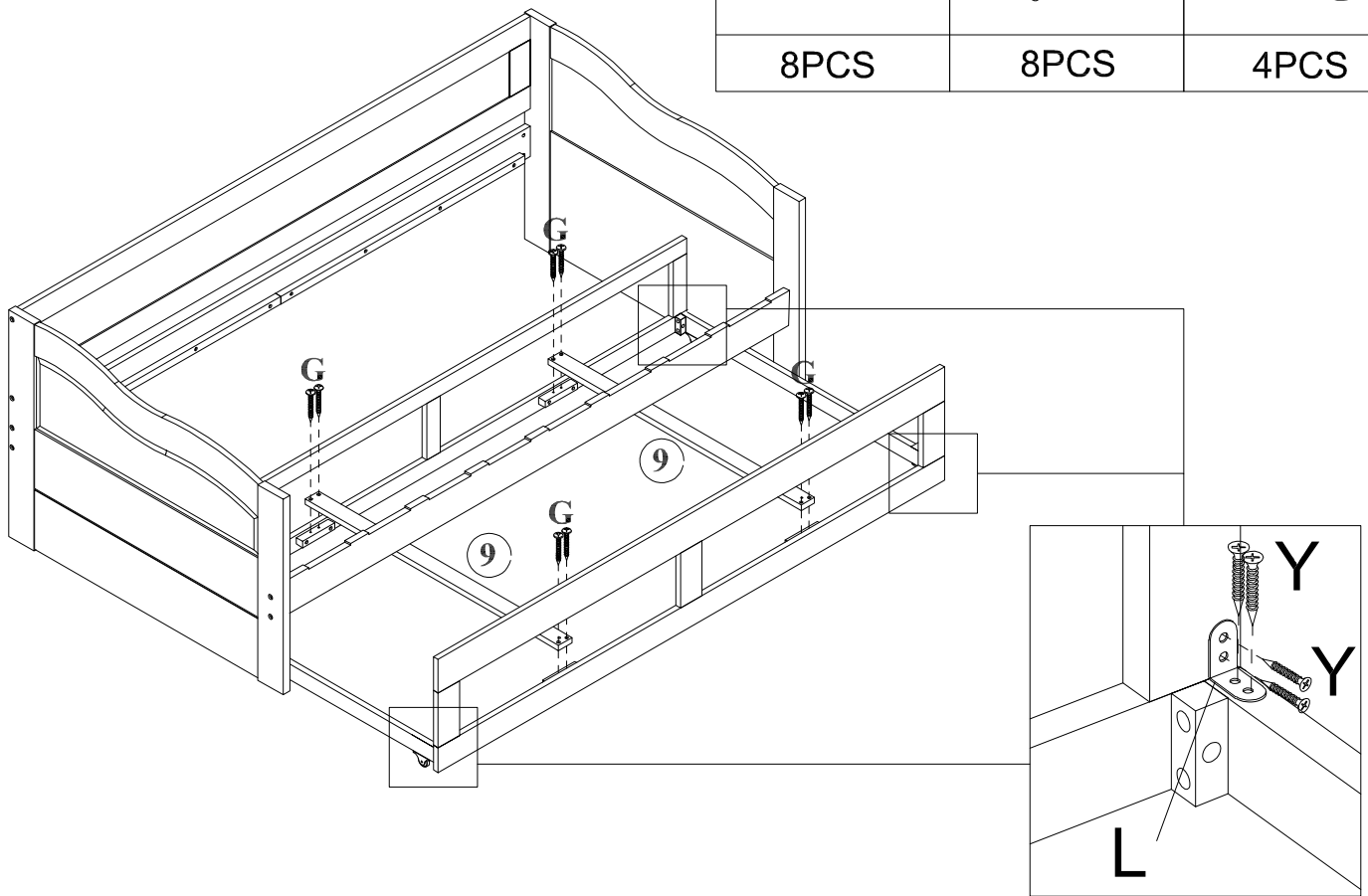
STEP: 3

| | | | |
|-------------|---|-------------|---|
| A |  | J |  |
| 4PCS | | 4PCS | |






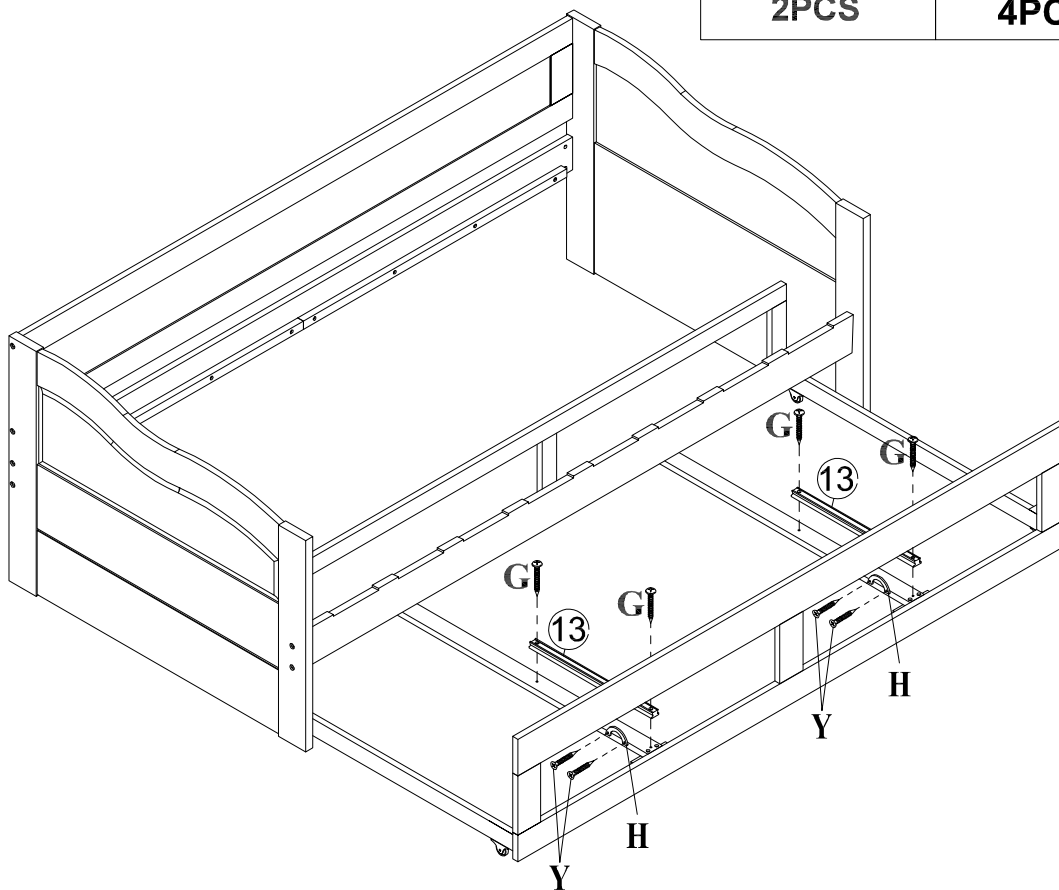
STEP: 4

| | | |
|---|---|--|
| G | Y | L |
|  |  |  |
| 8PCS | 8PCS | 4PCS |



STEP: 5

| | | |
|---|---|---|
| H | Y | G |
|  |  |  |
| 2PCS | 4PCS | 4PCS |

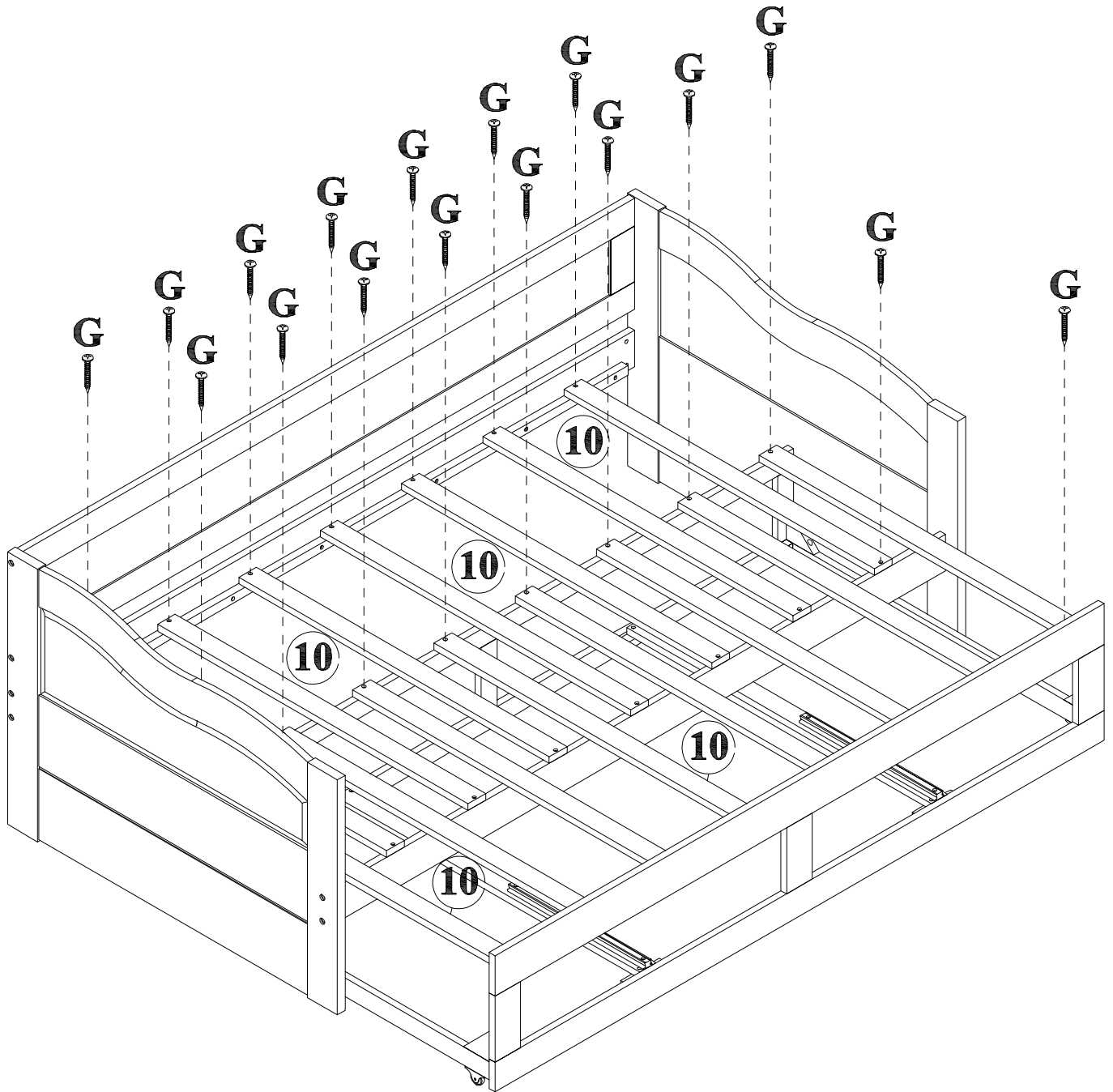


STEP: 6

G



30PCS

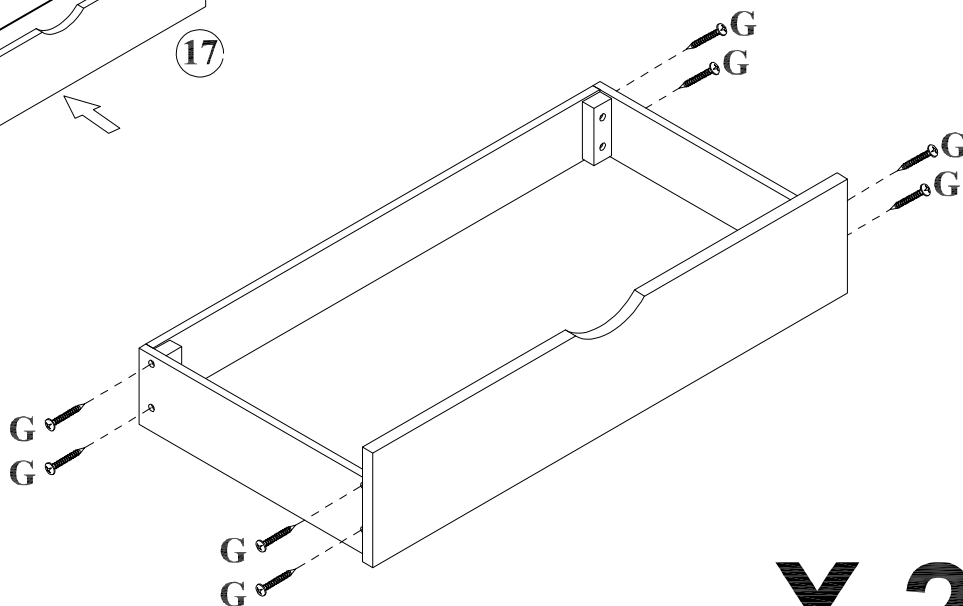
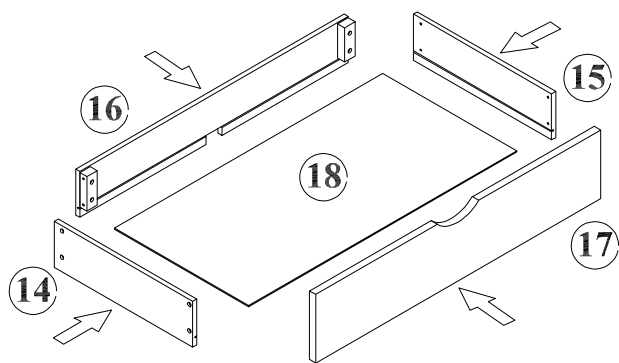


STEP: 7

G



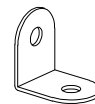
16PCS



X 2

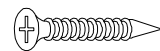
STEP: 8

M

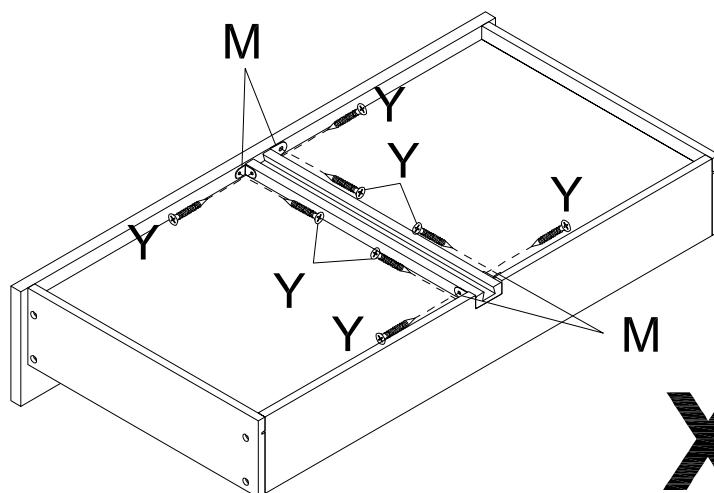
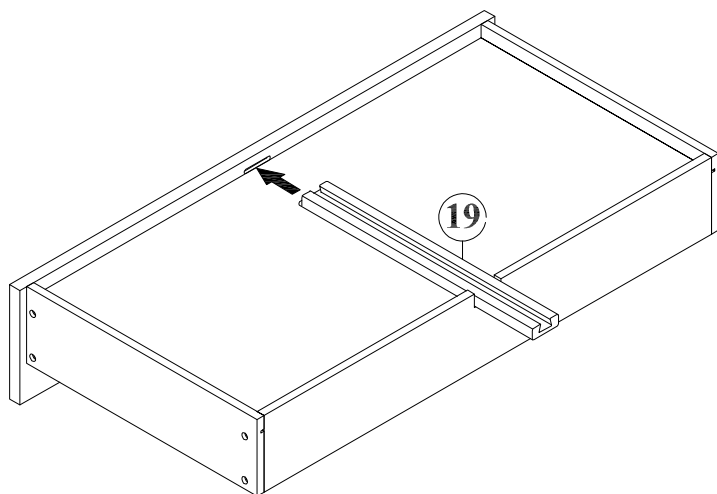


8PCS

Y

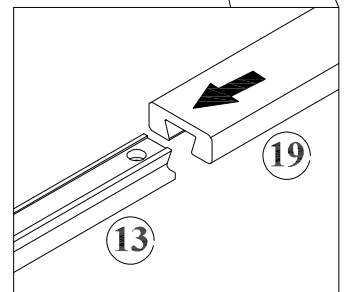
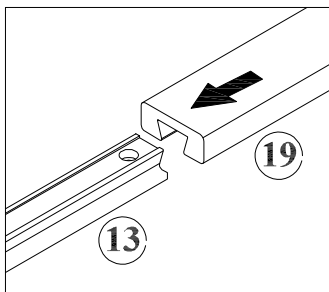
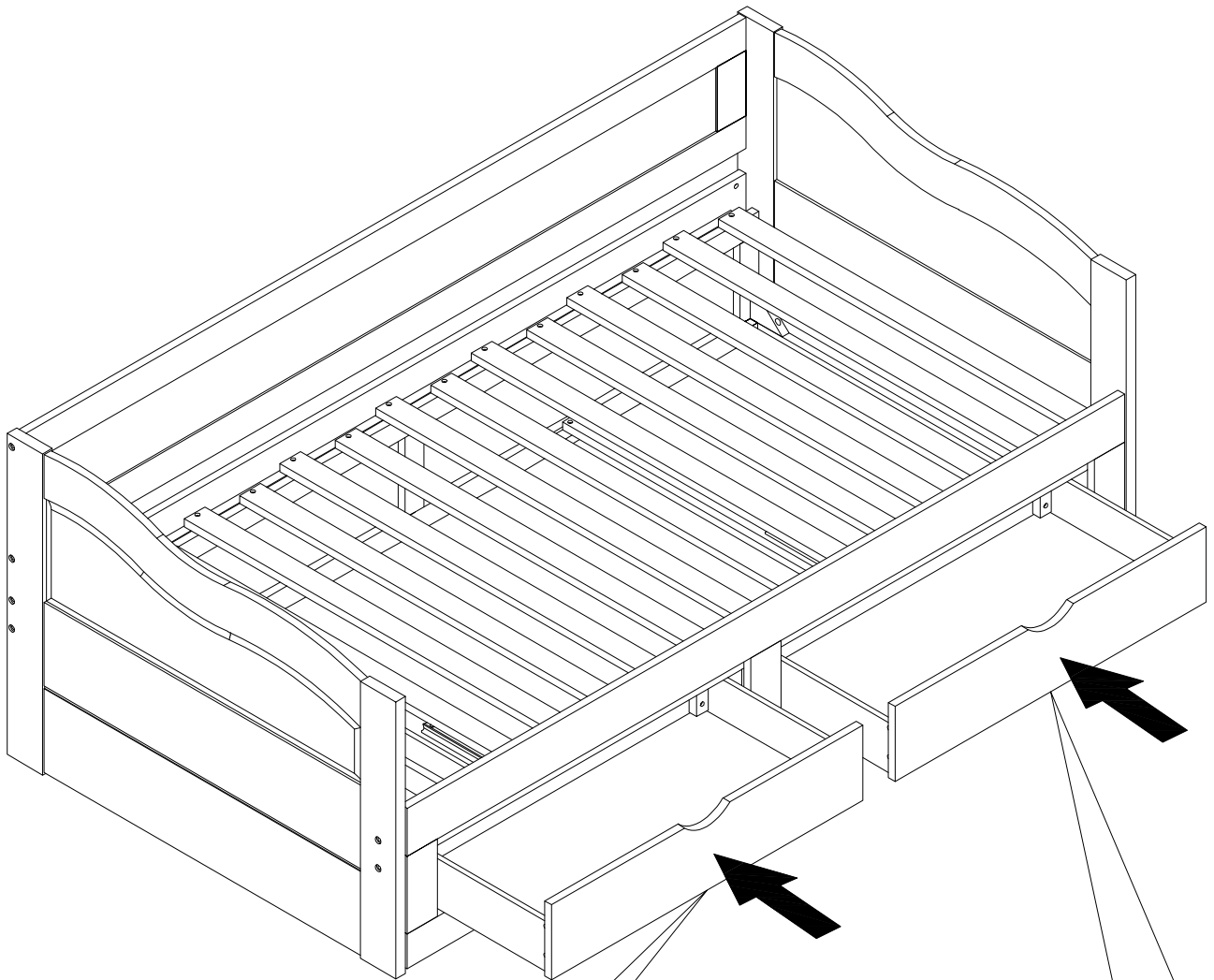


16PCS



X 2

STEP: 9



STEP: 10

