

ASSEMBLY INSTRUCTIONS

Before You Begin:

Please identify all component parts and hardware pieces required before you begin. Carefully remove all of the components from the packaging and set aside for assembly. Assemble on a soft surface to prevent scratching during assembly.

Caution:

Tighten all components securely before use. Failure to do so may result in personal injury.

DO NOT use any sharp objects to open plastic wrapped components as damage to product or components may result.

Warning:

CHOKING HAZARD - Small Parts. Adult Assembly Required.

Injury may result from tipping furniture. You must install the Tipping Restraint Hardware with the unit to prevent the unit from tipping and causing any accidental injury, instability, death or damage. The tipping restraint is intended only as a safety measure, it is not a substitute for proper adult supervision.

This tipping restraint is not an earthquake restraint. If you wish to add the extra security of earthquake restraints, they must be purchased and installed separately.

Serious or fatal crushing injuries can occur from furniture tipping over. To prevent furniture from tipping over it must be permanently fixed to the wall. Fixing devices for the wall are not included since different wall materials require different types of fixing devices. Use fixing devices suitable for the walls in your home

Failure to detach this restraint before moving furniture may result in injury or damage.

DO NOT ALLOW CHILDREN TO CLIMB ON FURNITURE

Our Warranty Statement

This warranty covers manufacturing defects associated with your new product. The product is warranted from the original purchase date and to the original purchaser for normal usage, according to the below-referenced specifications and limitations.

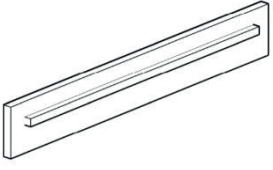
- Non-moving metal parts are warranted for 5 years,
- Component parts including pneumatic cylinder, control mechanism, base and casters are warranted for 2 years.
- All other items are warranted for 1 year.

Normal usage means use in compliance with the restrictions and weight limits specified for the product. In the absence of product-specific restrictions and weight limits, normal usage means use for no more than forty hours per week by persons weighing 250 lbs. or less. Coverage terminates if the product is sold or otherwise transferred. Repairs made by parties other than Belnick also void this warranty.

This warranty will not cover: (1) labor, freight, or damage from misuse, abuse, negligence, alteration, assembly, installation, attachments, accident, vandalism, acts of nature or any other event beyond the control of Belnick; (2)tearing, scratching, scuffing, or blemishing of leather or fabric; (3) cosmetic damage that may result from normal usage; {4) damage attributable to use by persons exceeding specified weight limits or commercial use exceeding forty hours per week; or (5) rust or other damage caused by exposure to moisture. The user assumes all risk of injury resulting from use of this product. Liability for incidental or consequential damage is excluded. Some states do not allow the exclusion or limitation of incidental or consequential damages, so the above limitation or exclusion may not apply to you.

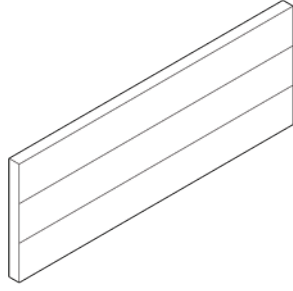
Part

Part 1: Left & Right Side Rails



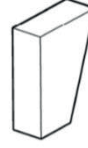
4 pcs

Part 2: Headboard



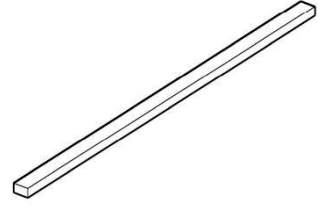
1pc

Part 3: Footboard Legs



2pcs

Part 4: Headboard Legs



2pcs

Part 5: Left & Right Side Legs



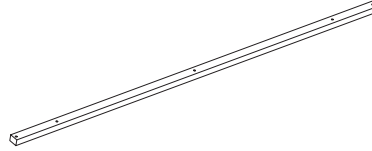
2pcs

Part 6: Center Legs



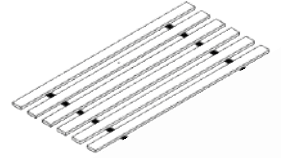
4pcs

Part 7: Center Rail



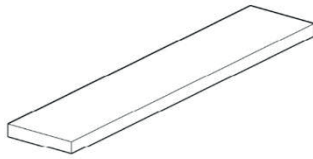
2pcs

Part 8: Support Slats



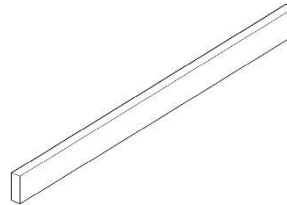
2pcs

Part 9 : Footboard



1pc

Part 10: Headboard Wings



2pcs

Hardware



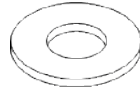
M8 x 35mm Screws

Part A 10pcs



M8 x 1mm Large Lock Washer

Part B 10pcs



M8 x 1mm Large Flat Washer

Part C 10pcs



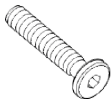
M6 x 23mm Adjustable
Height Glides

Part D 8pcs



M8 x 20mm Screws

Part E 8pcs



M6 x 45 mm Screws

Part F 4pcs



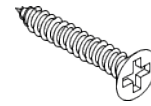
M6 x 50mm Screws

Part G 4pcs



M6 x 25mm Screws

Part H 8pcs



M30
Self Tapping Screw

Part I 8pcs



M6 x 1mm
Small Lock Washer

Part J 12 pcs



M6 x 1mm Small
Flat Washer

Part K 12pcs



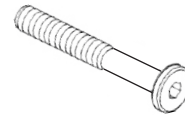
M4 x 95mm
Small Allen Wrench

Part L 1pc



M5 x 95mm
Large Allen Wrench

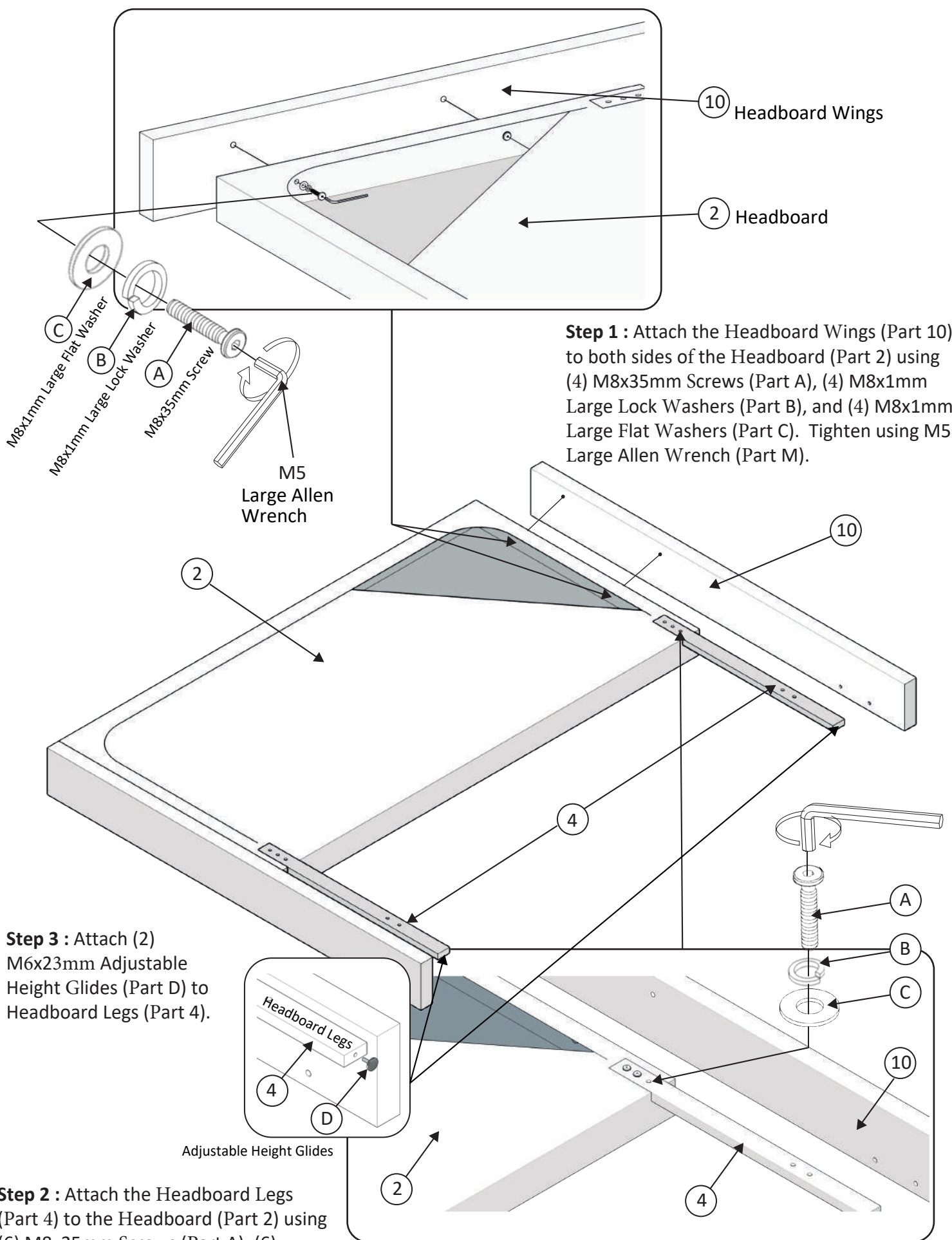
Part M 1pc

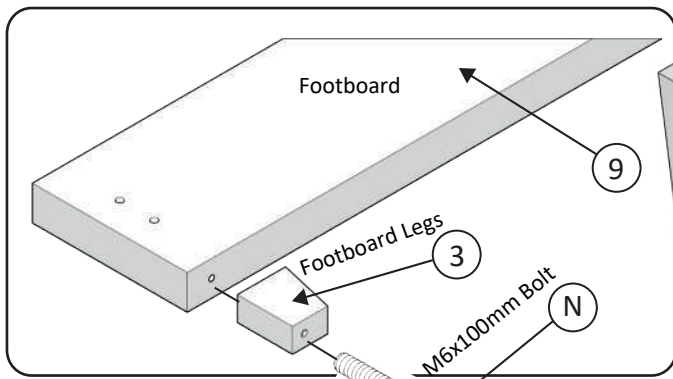


M6 x 100mm Bolts

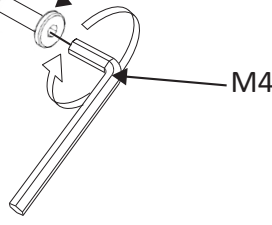
Part N 2pcs

NOTE: Unzip liner to access screw holes.



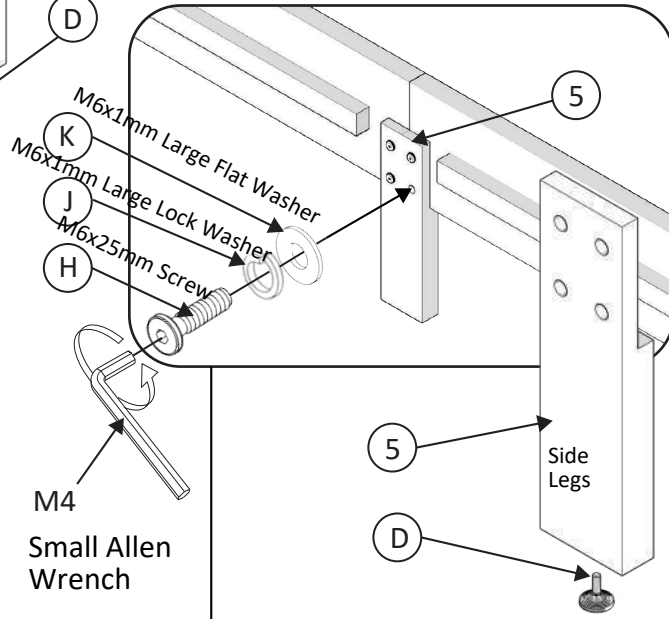


Step 4 : Attach (2) M6x23mm Adustable Height Glides (Part D) to Footboard Legs (Part 3).

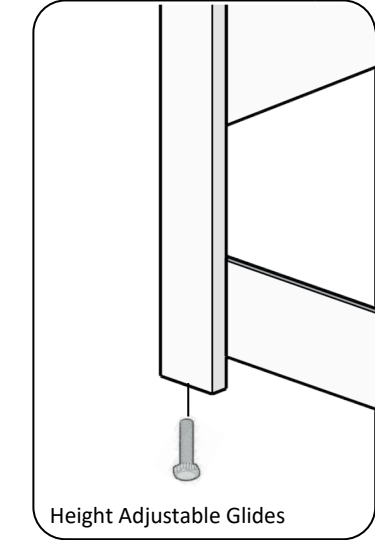


Step 5: Attach Footboard Legs (Part 3) to Footboard (Part 9) using (2) M6x100mm Bolts (Part N). Tighten using M4 Small Allen Wrench (Part L).

Step 6 : Attach (2) Side Legs (Part 5) to the Left and Right Side Rails (Part 1) using (8)M6x25mm Screws (Part H), (8) M6x1mm Large Lock Washers (Part J) and (8) M6x1mm Large Flat Washers (Part K). Tighten using M4 Small Allen Wrench (Part L).

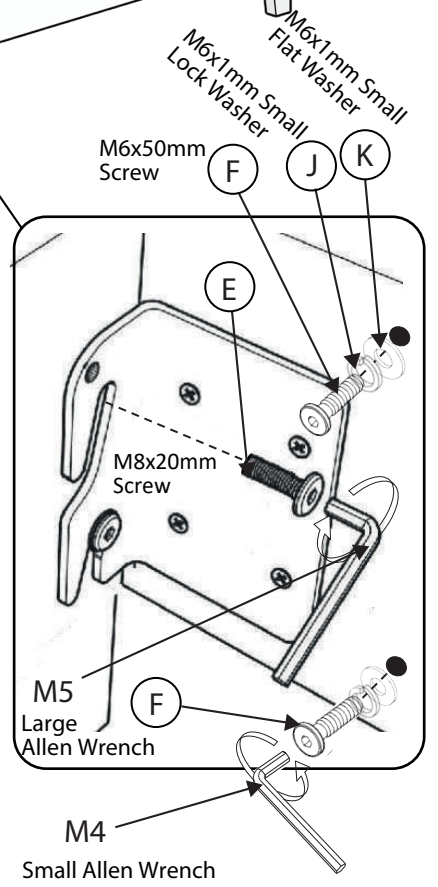


Step 7 : Attach (2) M6x23mm Adustable Height Glides (Part D) to Side Legs (Part 5).



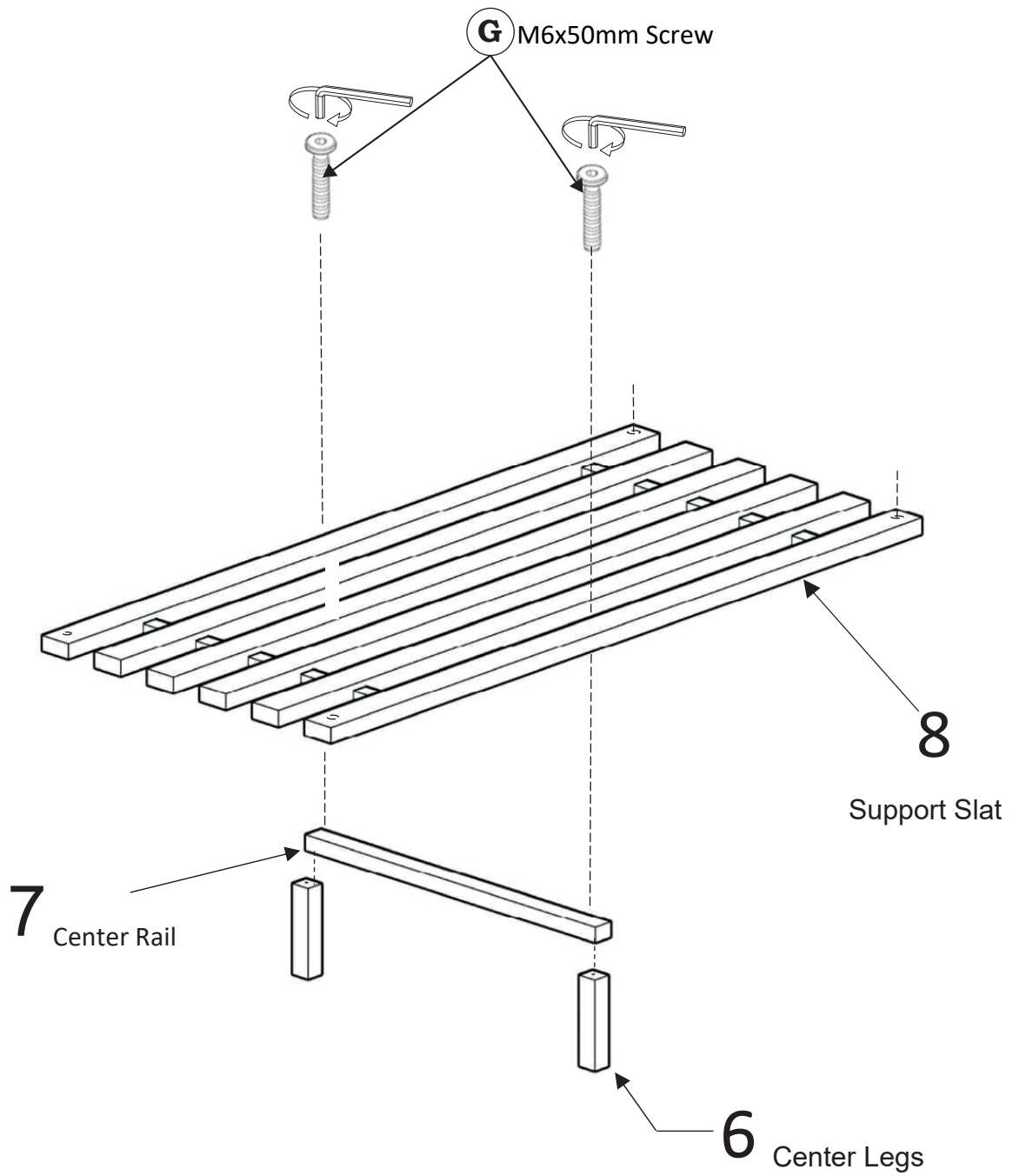
Step 9 : Attach (2) M6x23mm Adjustable Height Glides (Part D) to bottom of the Headboard Wings (Part 10).

Step 8 : Attach the Left and Right Side Rails (Part 1) to the Headboard Legs (Part 4) using (4) M8x20mm Screws (Part E). Tighten using M5 Large Allen Wrench (Part M).



Step 10 : Attach Left and Right Side Rails to Headboard Wings using (4) M6x50mm Screws (Part F), (4) M6x1mm Small Lock Washers (Part J) and (4) M6x1mm Small Flat Washers (Part K). Tighten using M4 Small Allen Wrench (Part L).

Step 11 : Insert (4) M6x50mm Screws (Part G) through the Support Slats (Part 8) and the Center Rails (Part 7) and attach to the Center Legs (Part 6). Tighten using M4 Small Allen Wrench (Part L).



Step 12: Attach (2) sets of Support Slats (Part 8) to the Left & Right Side Rails (Part 1) using (8) M30 Self-Tapping Screws (Part I). Tighten using a Phillips Screwdriver (Not Included).

