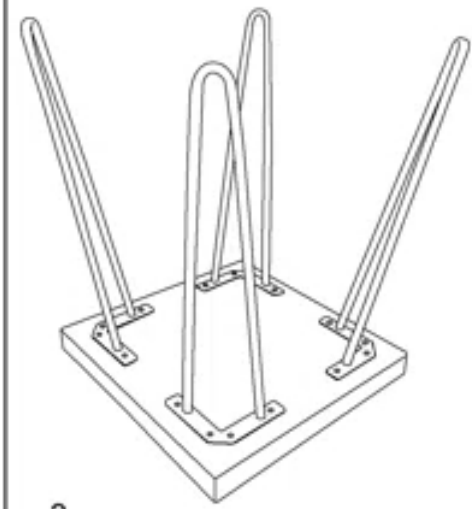


1



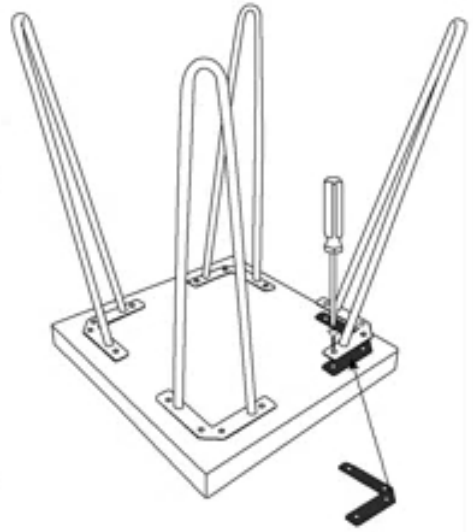
2



3

The hair pin legs and table tops are 100% hand-made.
 The legs may waggle slightly after installation.
 We attached 2 felt pads for you to adjust the leg height.
 Mostly one piece pad is enough.
 Please screw two nails each leg at the beginning.
 Do not screw too hard at this stage.
 When all legs are installed, please check which leg needs to use the pad to adjust the height.
 When the table is not wagging, please tighten all screws carefully.

4



5



6

24#