

Bookshelf

assembly guide



Valued Customer,

We design and carefully manufacture our products for our customers, We wish that our customers to have fun while they are doing their new furniture

The product you just purchased was subjected to all sorts of tests and controls before sending out to you.

Hope you enjoy your new furniture!!!

Before starting, please check all components and accessories according to the provided list. If you purchased more than one product, to prevent confusion, be sure that you completed the first product, then start the next one. Please make sure that you select correct numbered part and use specific connector to assemble. We do not recommend any modification or rotation in assembly. Please follow the manual carefully.

Furniture parts are going to several manufacturing procedures. During this process, parts can have little dust or marks. Please clean the parts with damp cloth before assembly to get the best result. Usual cleaning would be suffice.

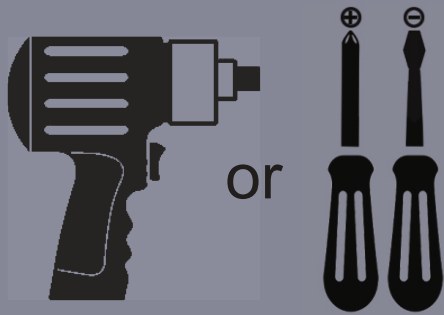


Although all products are carefully manufactured and packed, sometimes we experience damage during transportation. In such cases, please check the damaged part, note the part number written on the part and do not hesitate to contact us

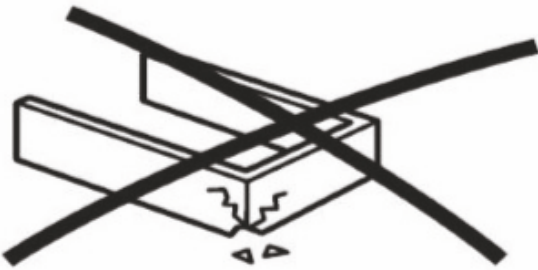
Do not use your furniture for out of purposes. If you would like to use it out of purpose or would like to do some modification or rotation, please contact us for more details.

Please do not expose your furniture with excessive heat, cold and humidity because product can be affected negatively.

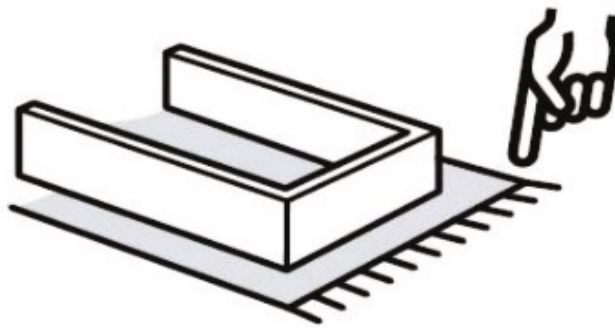
before you start



Get required installation tools prepared.



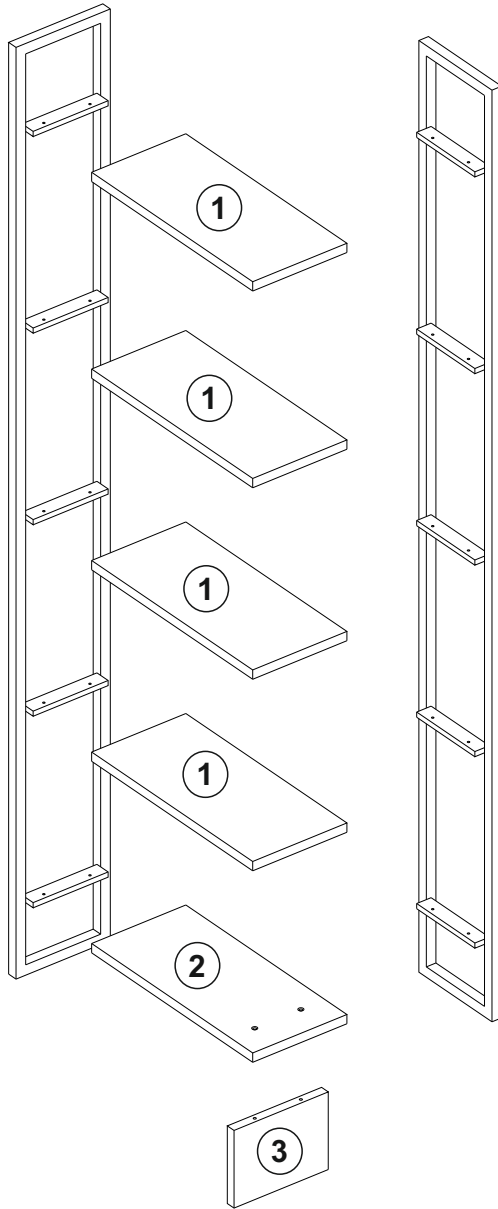
Do not install the product on rough surfaces.


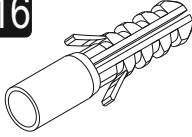

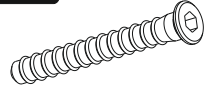

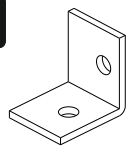


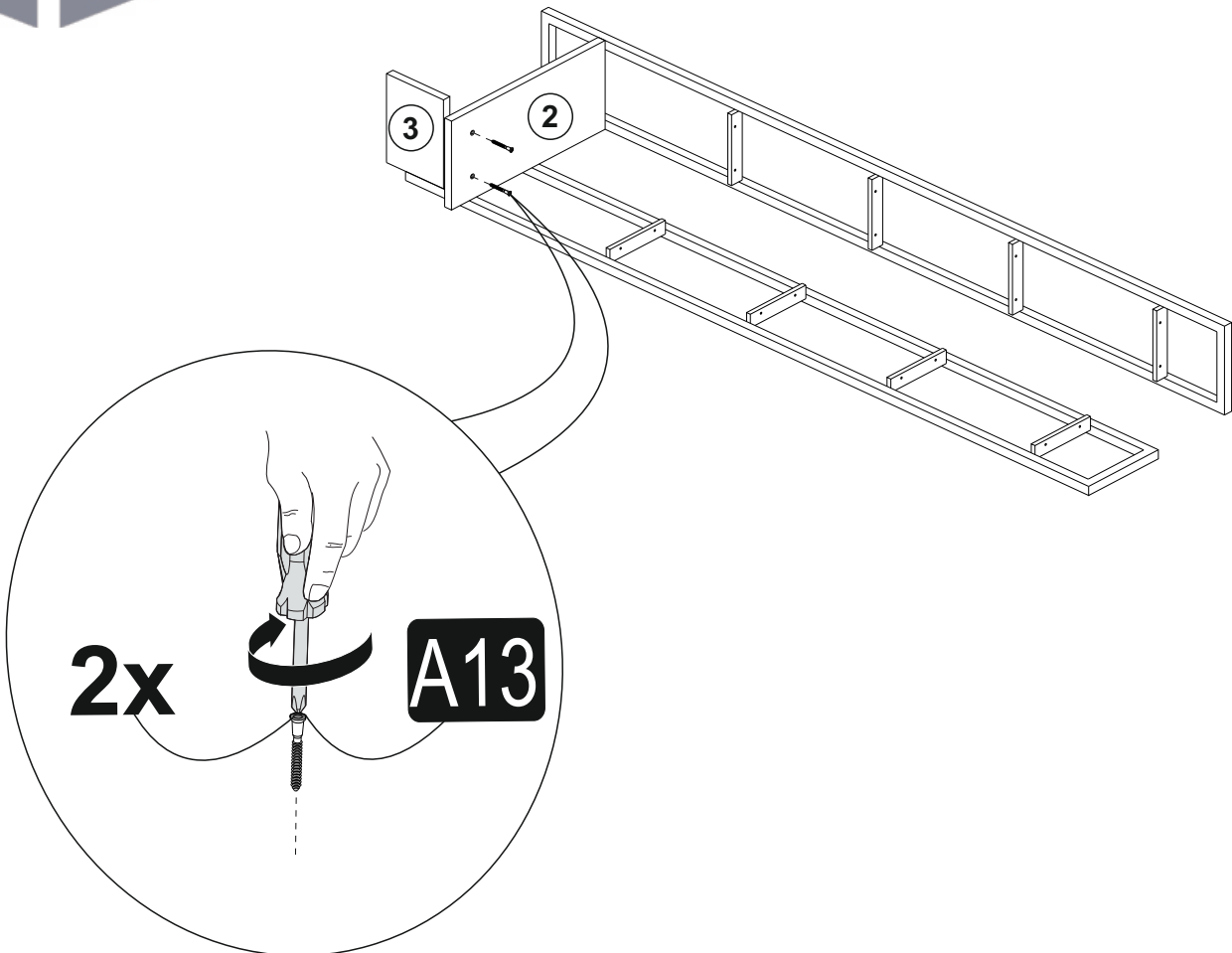
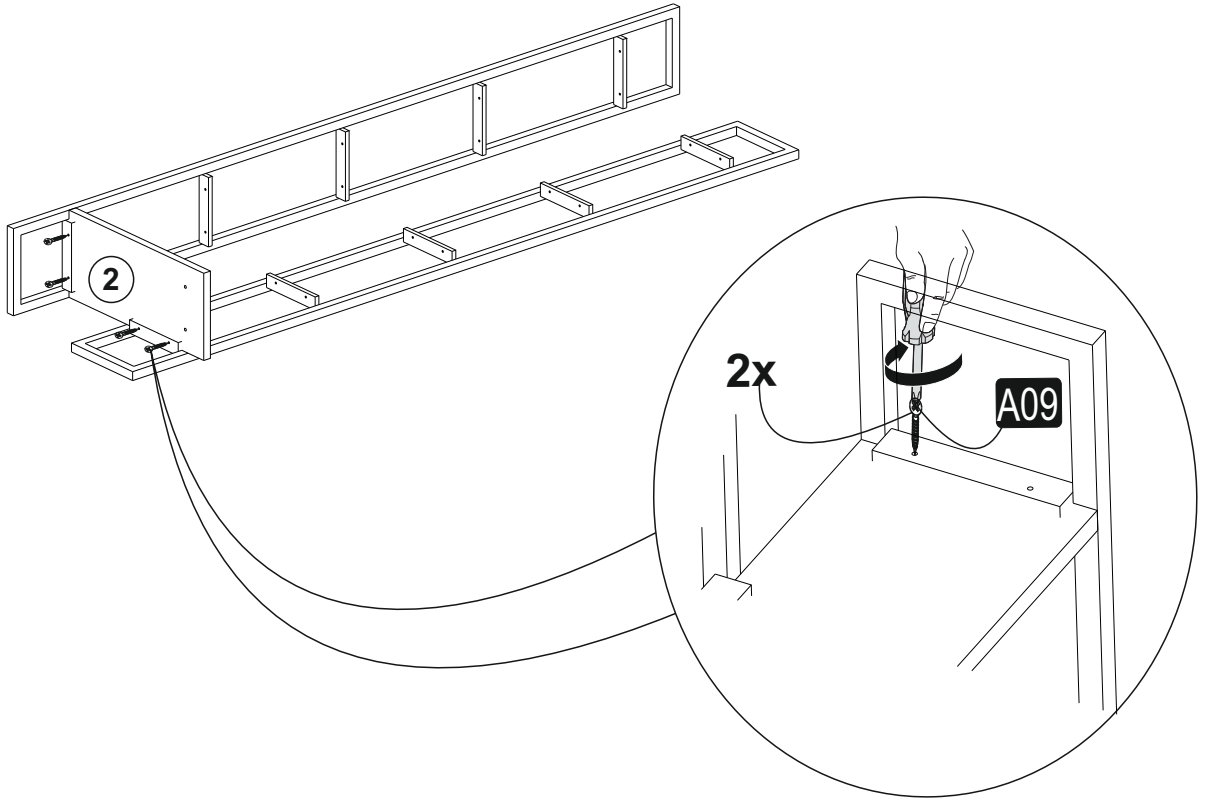
Get help from someone else!



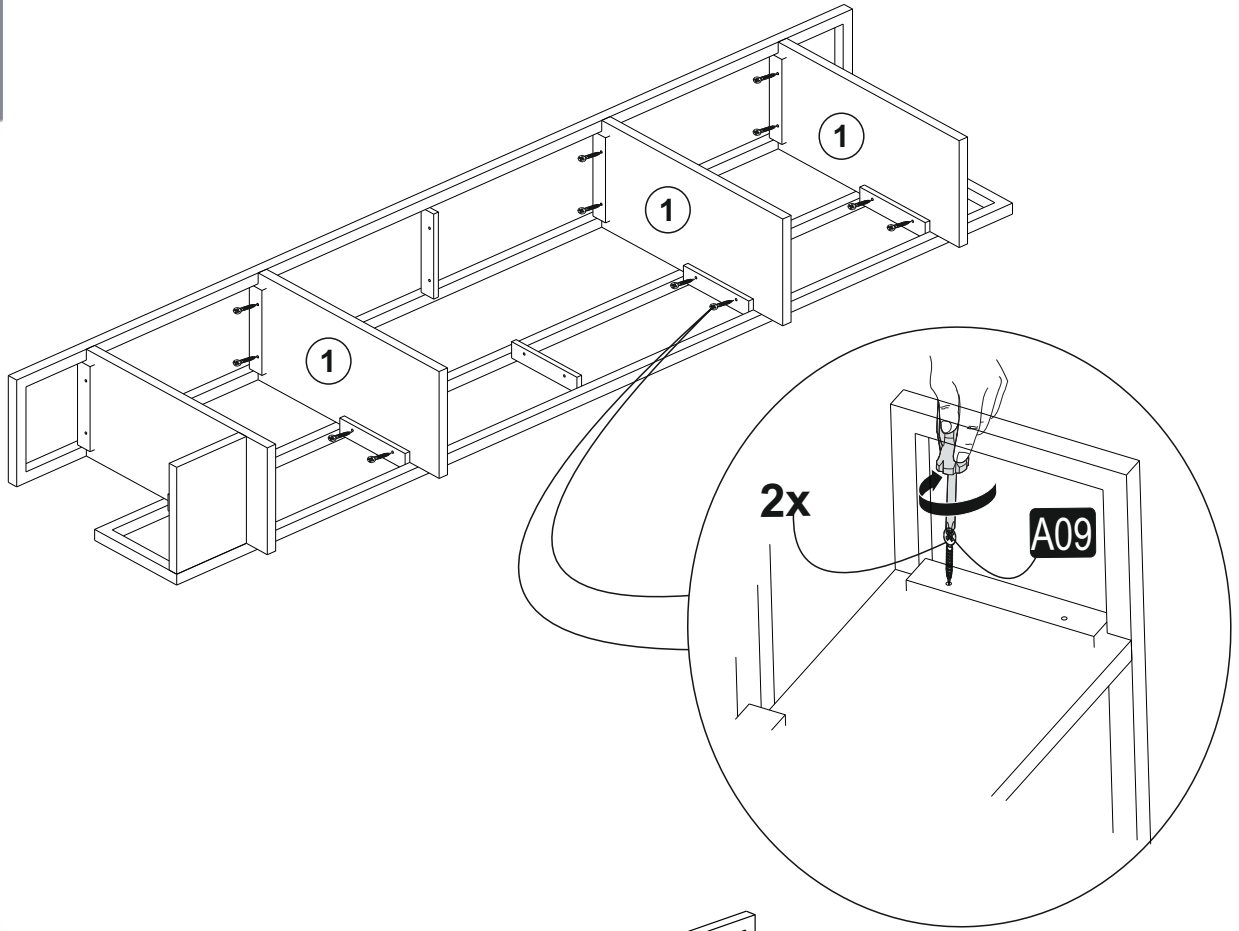
Part1	1x
Part2	6x
TOTAL	7x



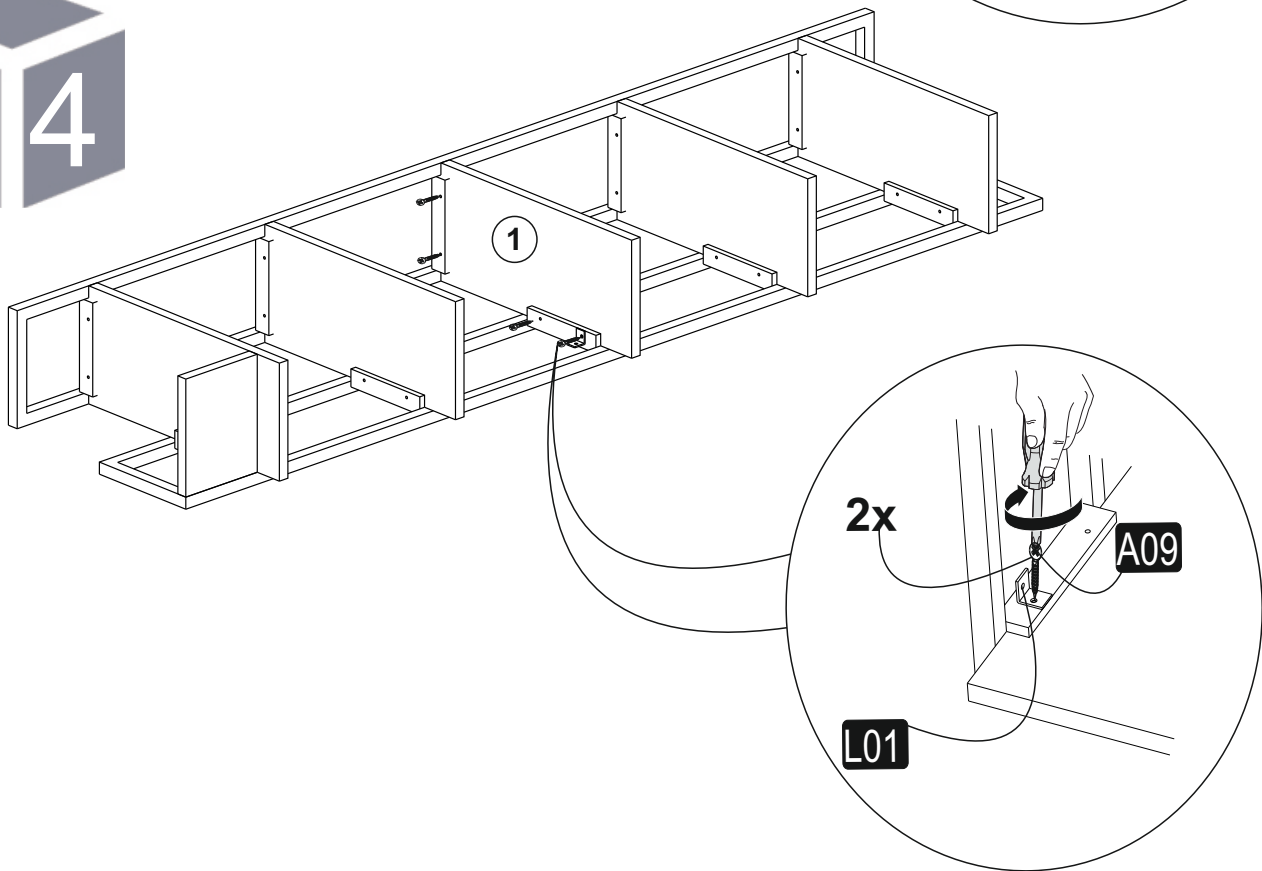
A13  5x70 1x	A16  Ø8 1x	A09  3.5x25 20x	A13  50 mm kn vidası 2x	A06  12 mm 2x	L01  1x
--	---	--	--	--	---



3



4



ATTENTION: BOOKCASE CAN BE USED AS FREE STANDING. HOWEVER, WE HAVE GIVEN PART # L01 WHICH CAN BE USED TO ATTACH THE BOOKCASE TO THE WALL. WE RECOMMEND YOU TO PLACE IT AS SHOWN IN FIGURE 4 BUT CUSTOMERS ARE WELCOME TO USE IT WHERE THEY SEE IT NECESSARY.

