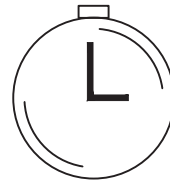
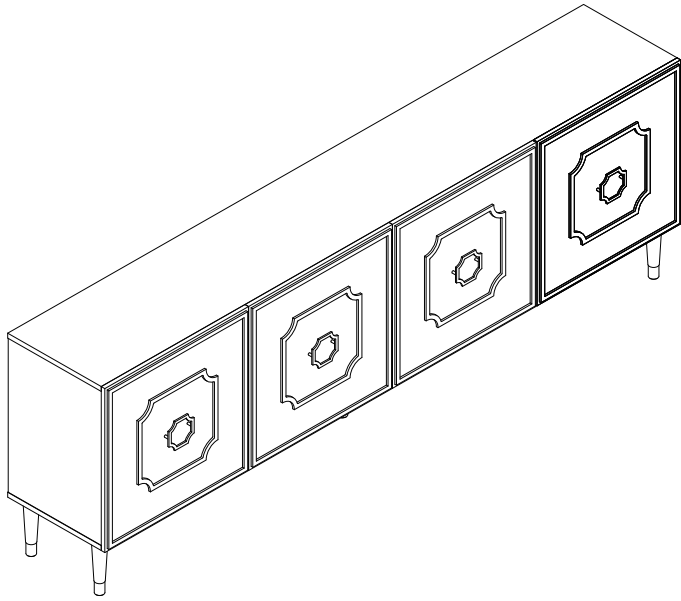
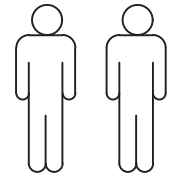


Assembly Instructions



1 hour



2 workers

Hardware

Parts

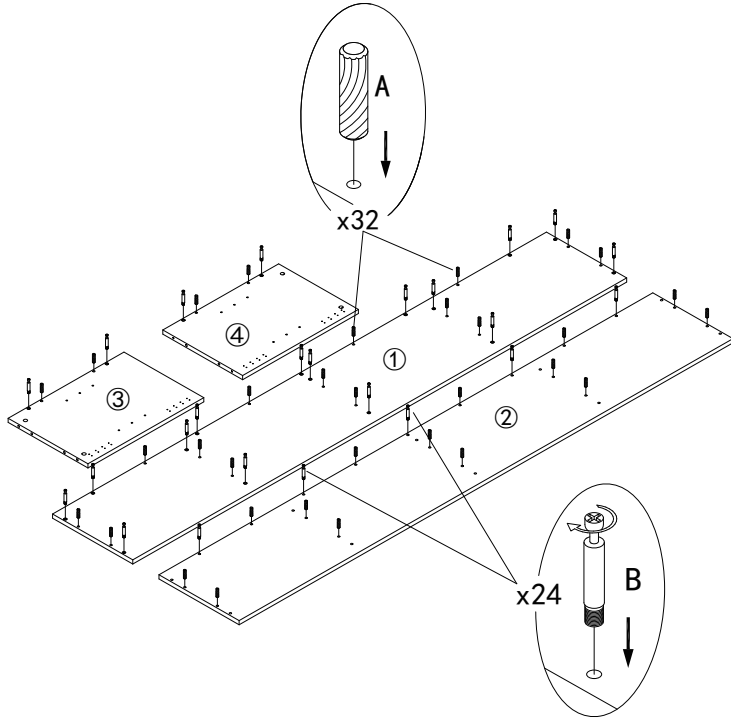
NO.	Picture	Description	Size(cm)	QTY	NO.	Picture	Description	Size(mm)	QTY
1		Top Panel	24.26x43.2x1.8	1	D		Allen Key	M4	1
2		Bottom Board	24.26x43.2x1.8	1	E		Bolt	M6x35	10
3		Left Board	59.6x43x1.8	1	F		Bolt	M4x20	8
4		Right Board	59.6x43x1.8	1	G		Handle	105x105x20	4
5		Back Board	23.9x56.9x1.5	1	H		Leg	78x64x200	5
6		Middle Board	59.6x41.4x1.8	2	I		Shelf Support	M4x18	16
7		Middle Board	60.5x60.5x1.5	1	J		Bolt	M6x15	20
8		Door	60.5x60.5x1.5	4	K		Washer	M6x18	20
9		Shelf	58.7x41x1.5	2	L		Screw	M3.5x15	96
10		Shelf	57.6x41x1.5	2	M		Hinge	105x60x12	8
					N		Hinge	105x60x12	8
					O		PVC cover	Φ20x1	24

Overall Size:95.51"x16.45"x31.89"H

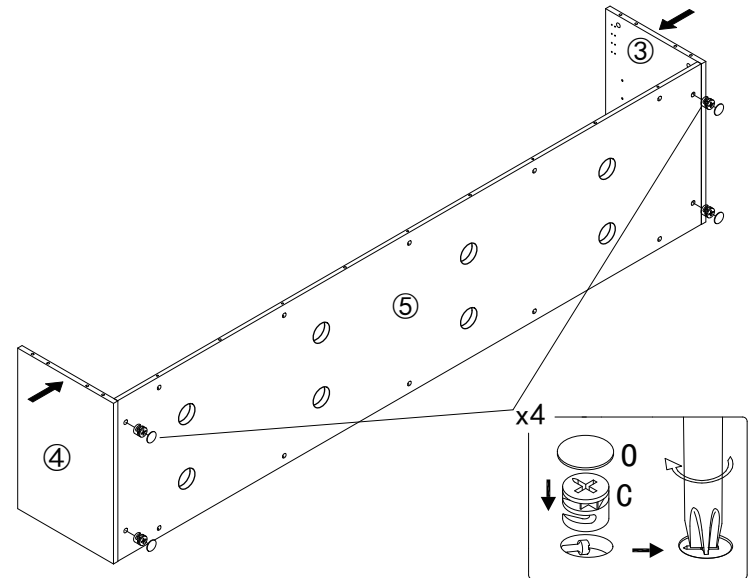
Do not tighten bolts until all screws are aligned then fully tighten

Assembly Instructions

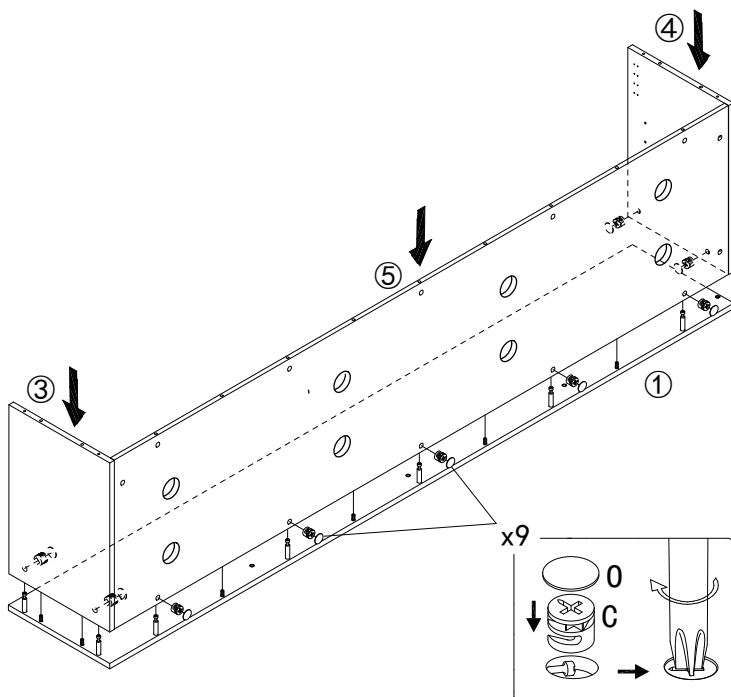
STEP 1:



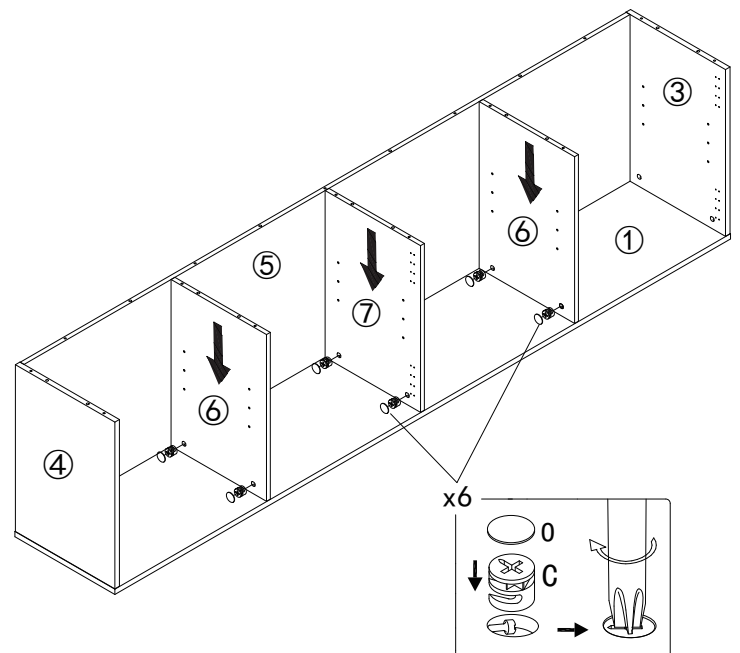
STEP 2:



STEP 3:



STEP 4:

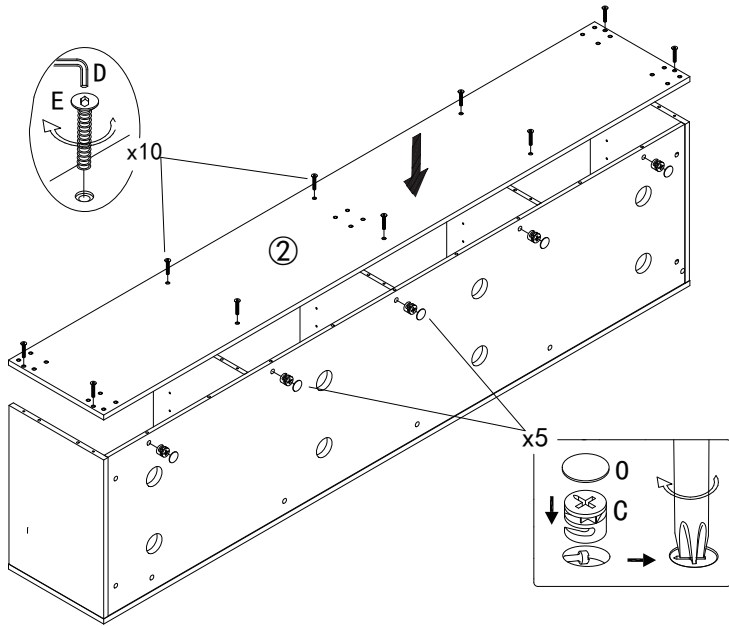


Overall Size: 95.51"x16.45"x31.89"H

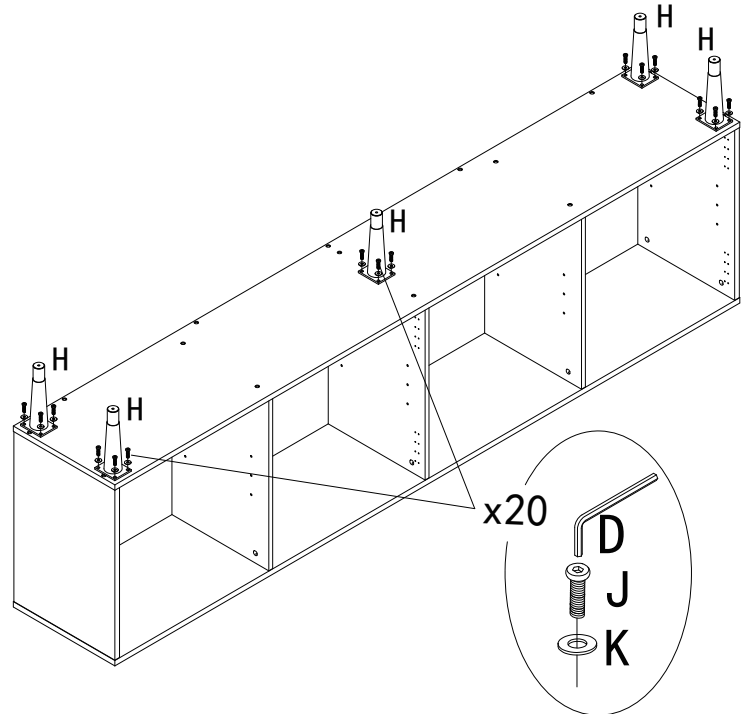
Do not tighten bolts until all screws are aligned then fully tighten

Assembly Instructions

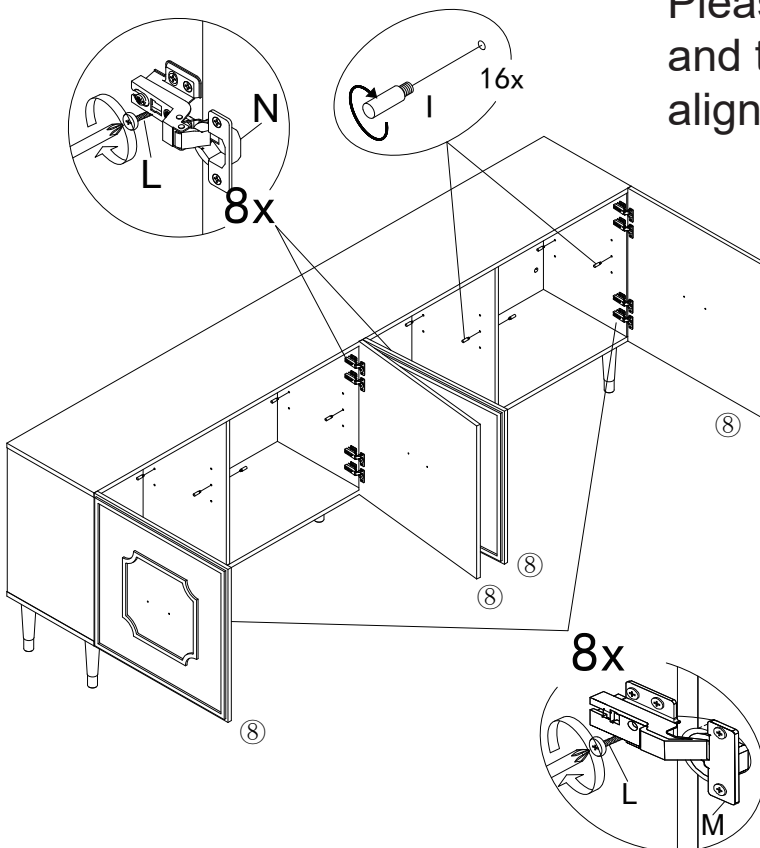
STEP 5:



STEP 6:



STEP 7:



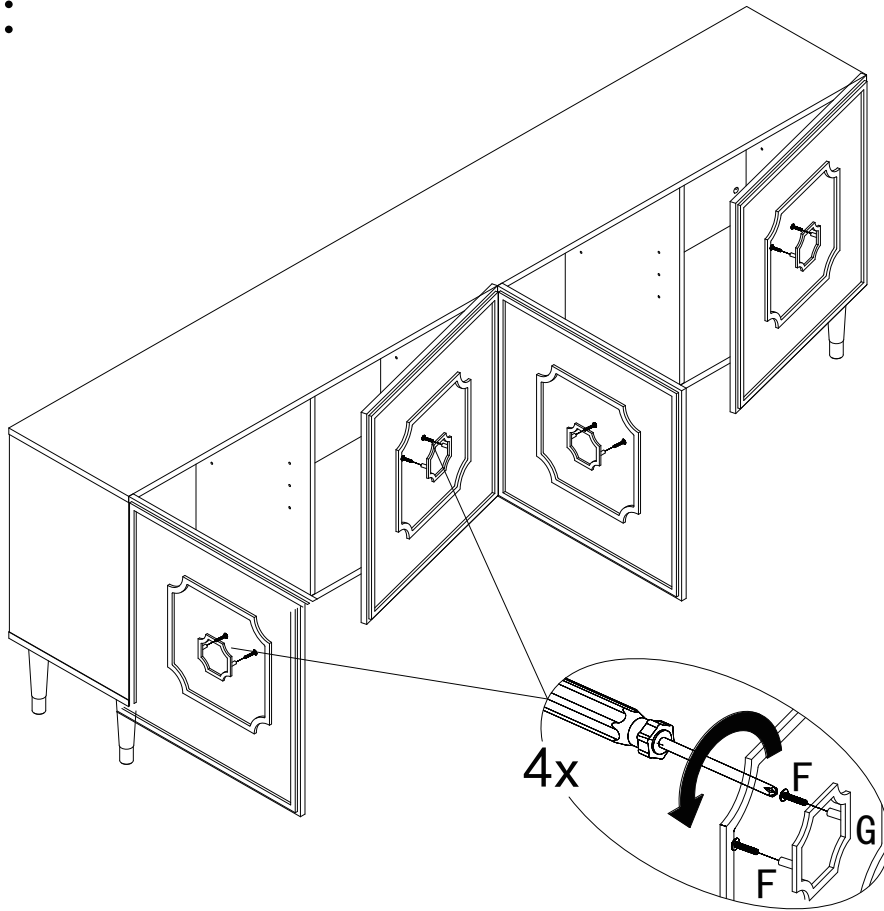
Please make sure the door is vertical and the hardware fit the hole with properly aligned then full tighten

Overall Size: 95.51"x16.45"x31.89"H

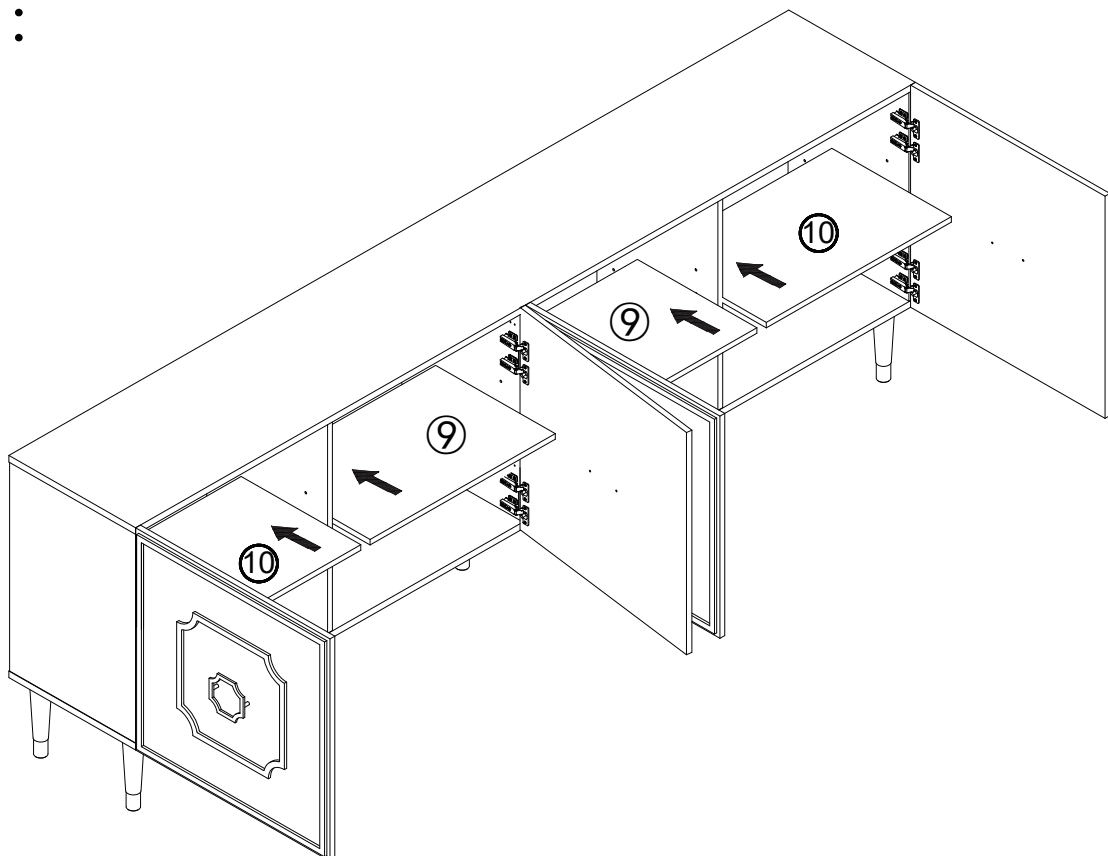
Do not tighten bolts until all screws are aligned then fully tighten

Assembly Instructions

STEP 8:



STEP 9:



Overall Size: 95.51"x16.45"x31.89"H

Do not tighten bolts until all screws are aligned then fully tighten

Assembly Instructions

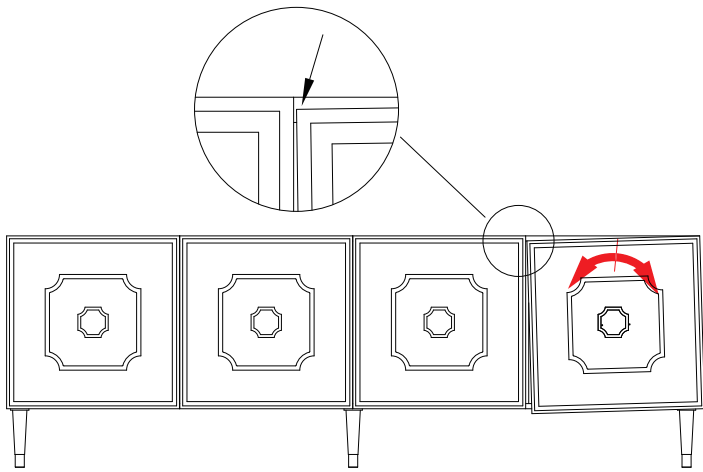
Hinges Adjustment Facilities



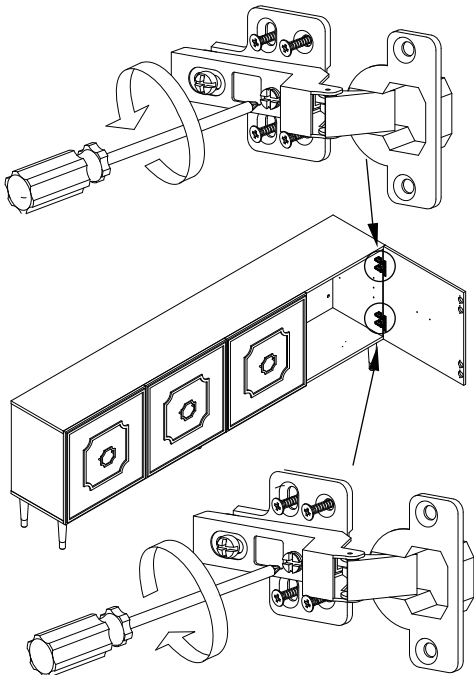
Warning : To ensure all hinges continue to work smoothly, pls check them regularly and adjust them necessary.

Question 1

How to adjust the two door are not aligned and lower with screw adjustment?



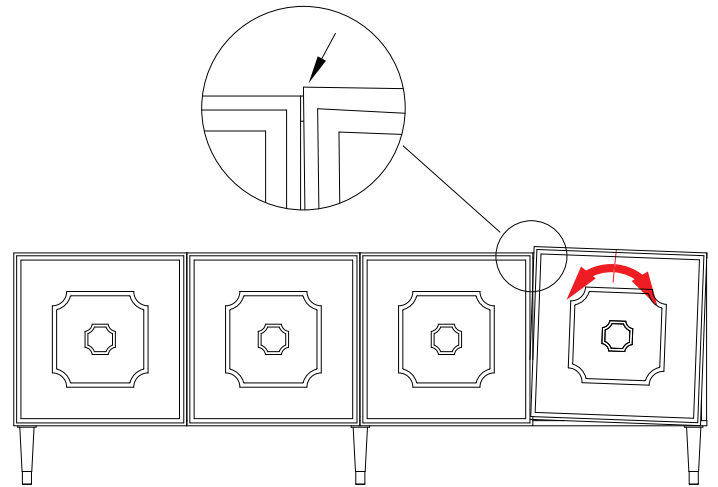
Turn left middle bolt adjuster properly until door is balanced



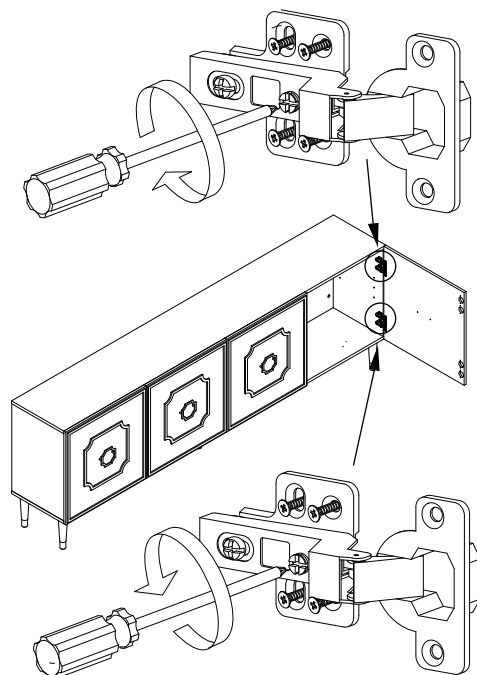
Turn right middle bolt adjuster properly until door is balanced

Question 2

How to adjust the two door are not aligned and higher with screw adjustment?



Turn right middle bolt adjuster properly until door is balanced



Turn left middle bolt adjuster properly until door is balanced

Do not tighten bolts until all screws are aligned then fully tighten

Assembly Instructions

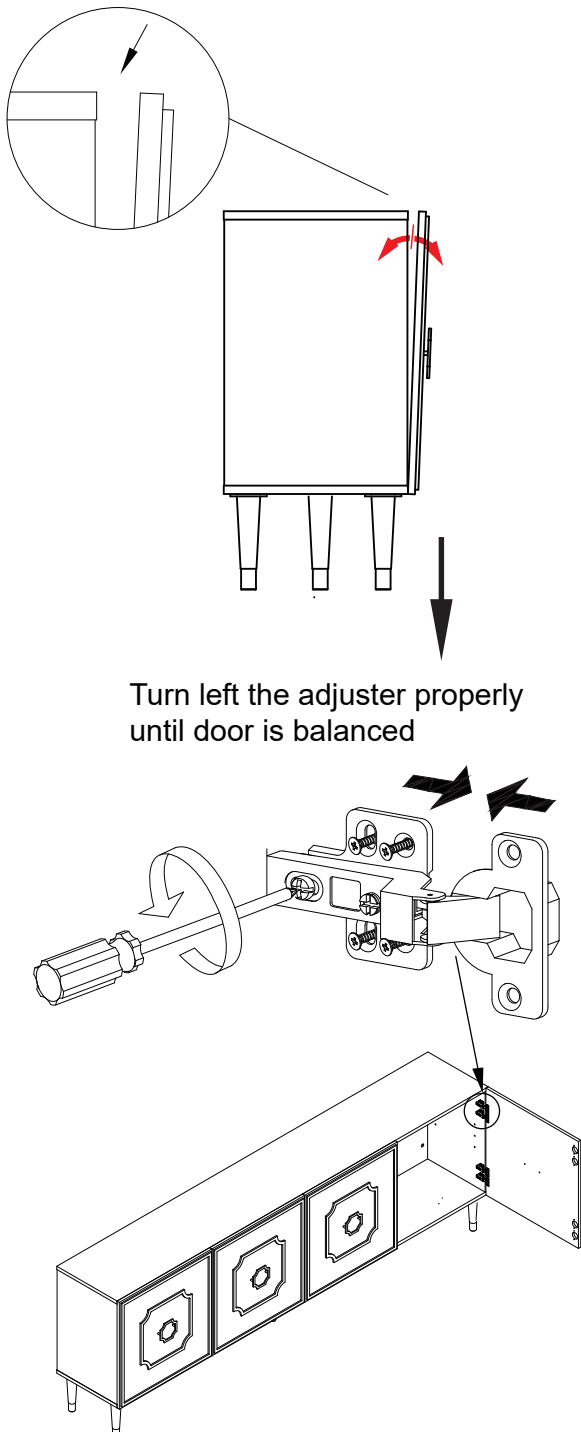
Hinges Adjustment Facilities



Warning : To ensure all hinges continue to work smoothly, pls check them regularly and adjust them necessary.

Question 3

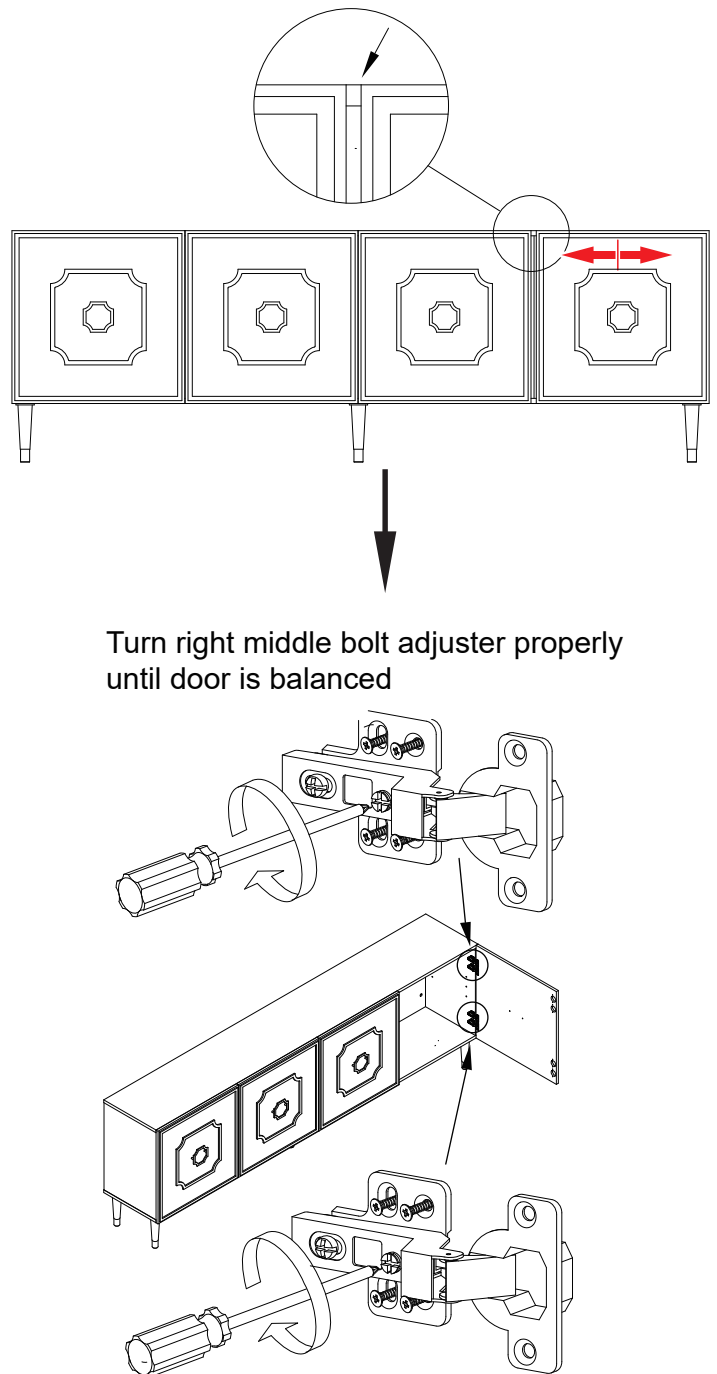
How to adjust the door gap at side with screw adjustment?



Turn left the adjuster properly until door is balanced

Question 4

How to adjust the door gap at front with screw adjustment?



Turn right middle bolt adjuster properly until door is balanced

Turn right middle bolt adjuster properly until door is balanced

Do not tighten bolts until all screws are aligned then fully tighten