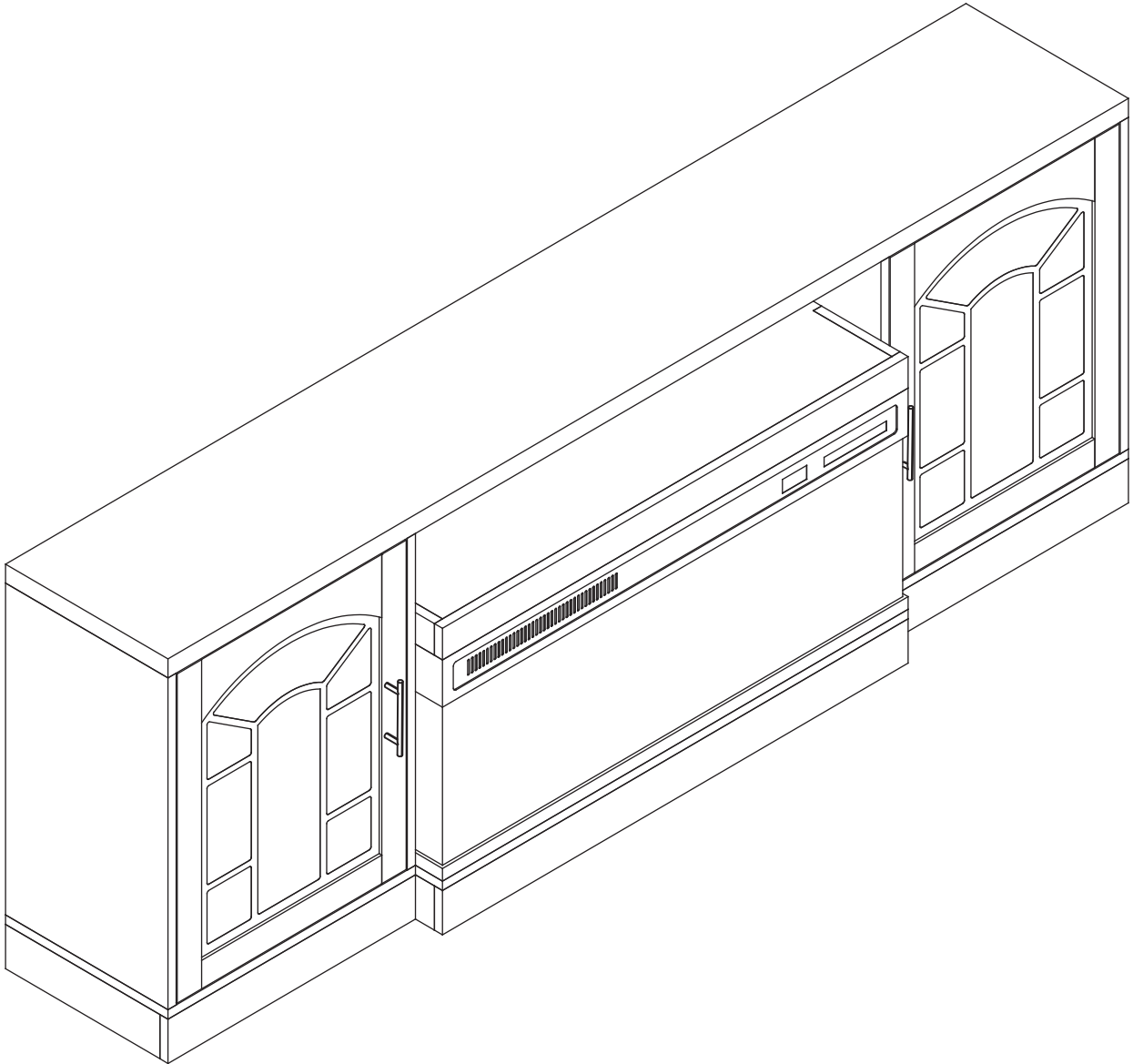


# ASSEMBLY INSTRUCTIONS

SKU: SF-70TVS-36GZ




Attention: The Fireplace and TV stand come in **TWO PACKAGES**  
Please don't be confused if only one package was received.

The light strip comes with fireplace. It should be installed  
after **TWO PACKAGES** received.

It is recommended that **TWO PEOPLE** work together during  
the installation process.

 [hellovitesse@gmail.com](mailto:hellovitesse@gmail.com)

 +1(503) 928-7812

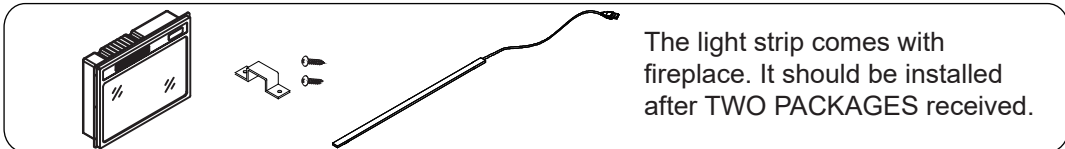
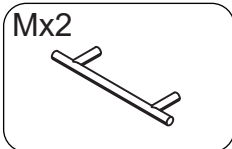
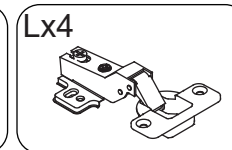
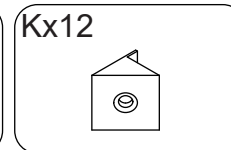
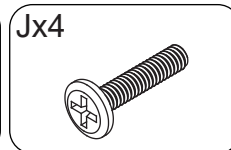
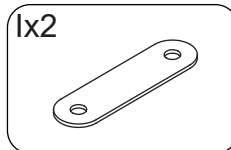
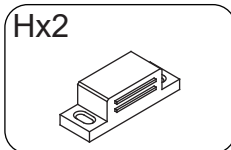
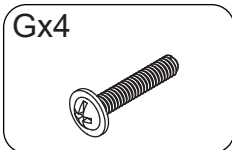
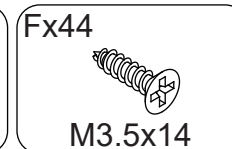
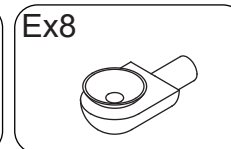
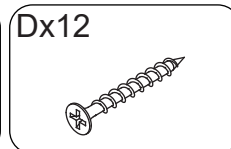
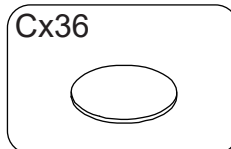
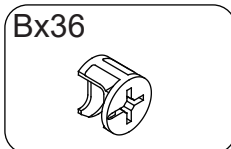
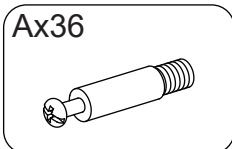
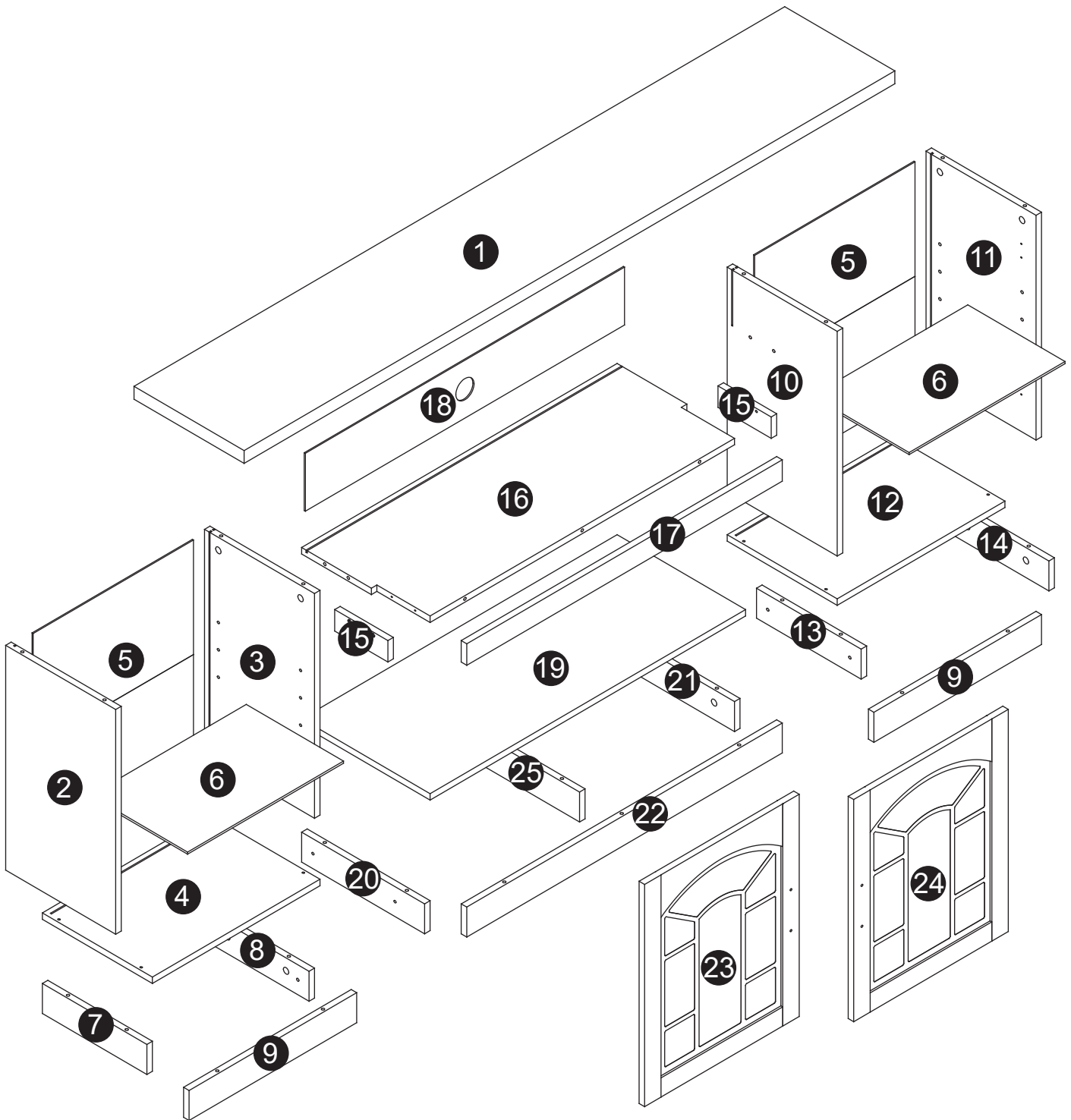
# HOPE YOU HAVE A PERFECT SHOPPING EXPERIENCE!

Our product is designed with excellence crafted from premium materials, and exhibits a unique sense of style. Every detail has been thoughtfully considered to bring both elegance and functionality to your space.

Whether in the office or at home, our product offers long-lasting performance and versatile use. We believe it will enhance your environment and make your daily tasks easier.

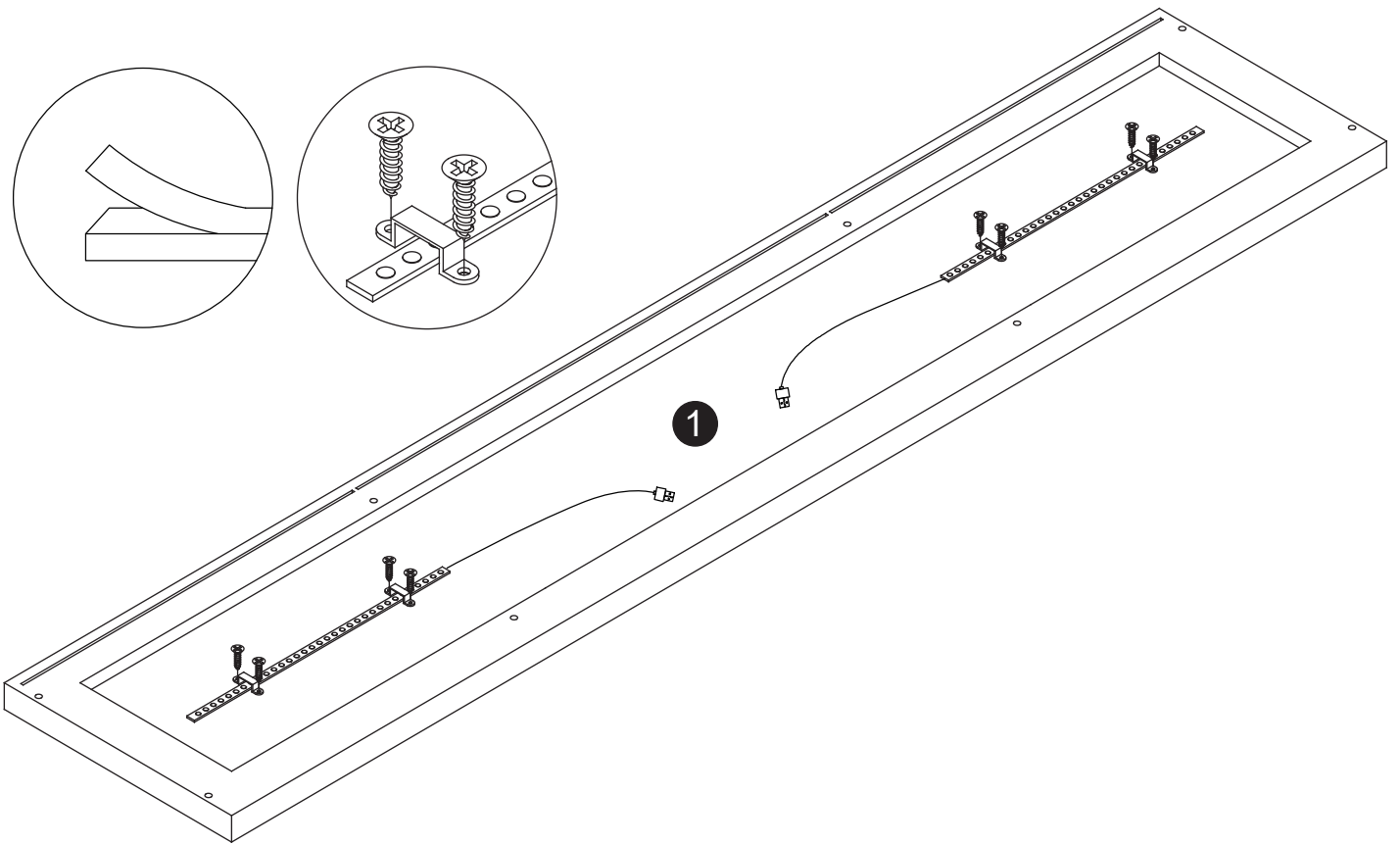
If you encounter any issues or have questions, please don't hesitate to contact our dedicated customer service team. We are always here to assist and ensure your satisfaction.

# Parts list



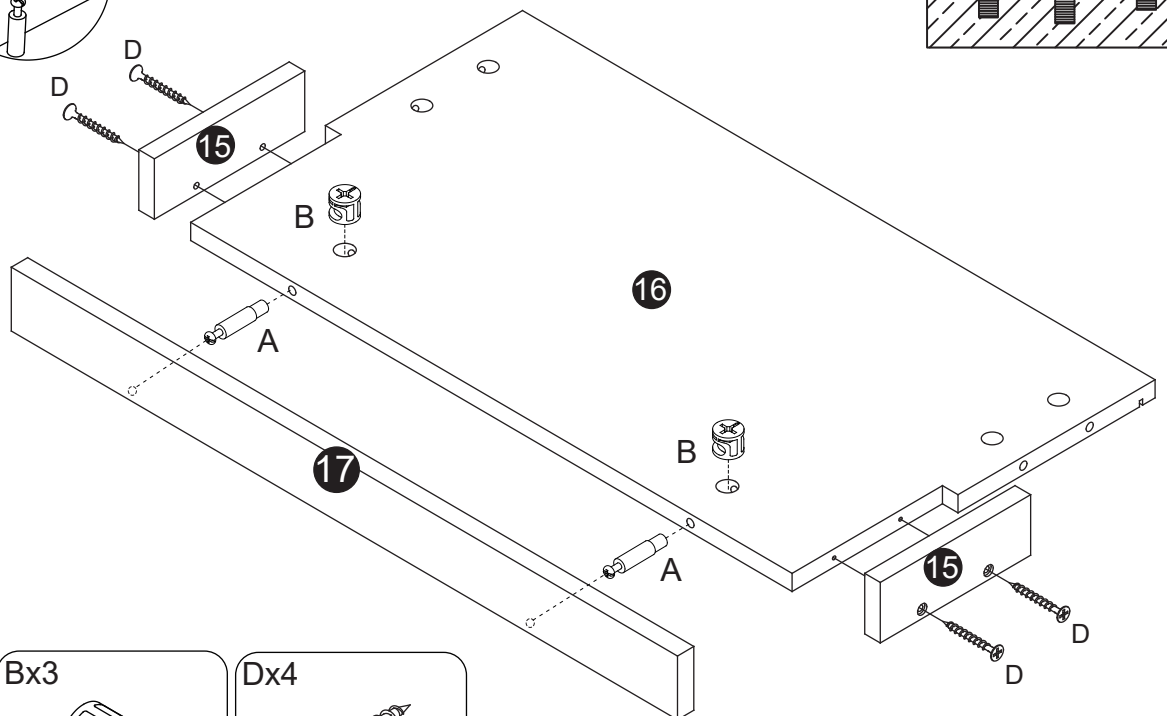
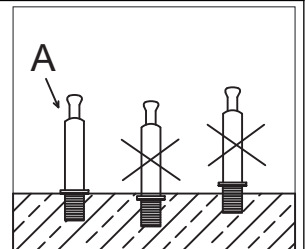
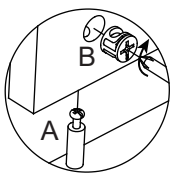
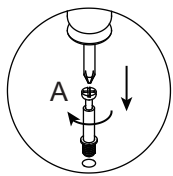
# Installation steps

## STEP 1

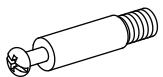


## STEP 2

The hole positions on the left and right sides of Part 15 are different. Please orient the larger hole outward.



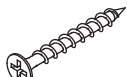
Ax3



Bx3

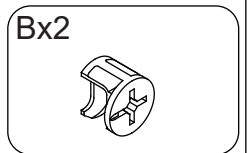
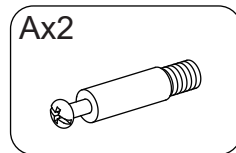
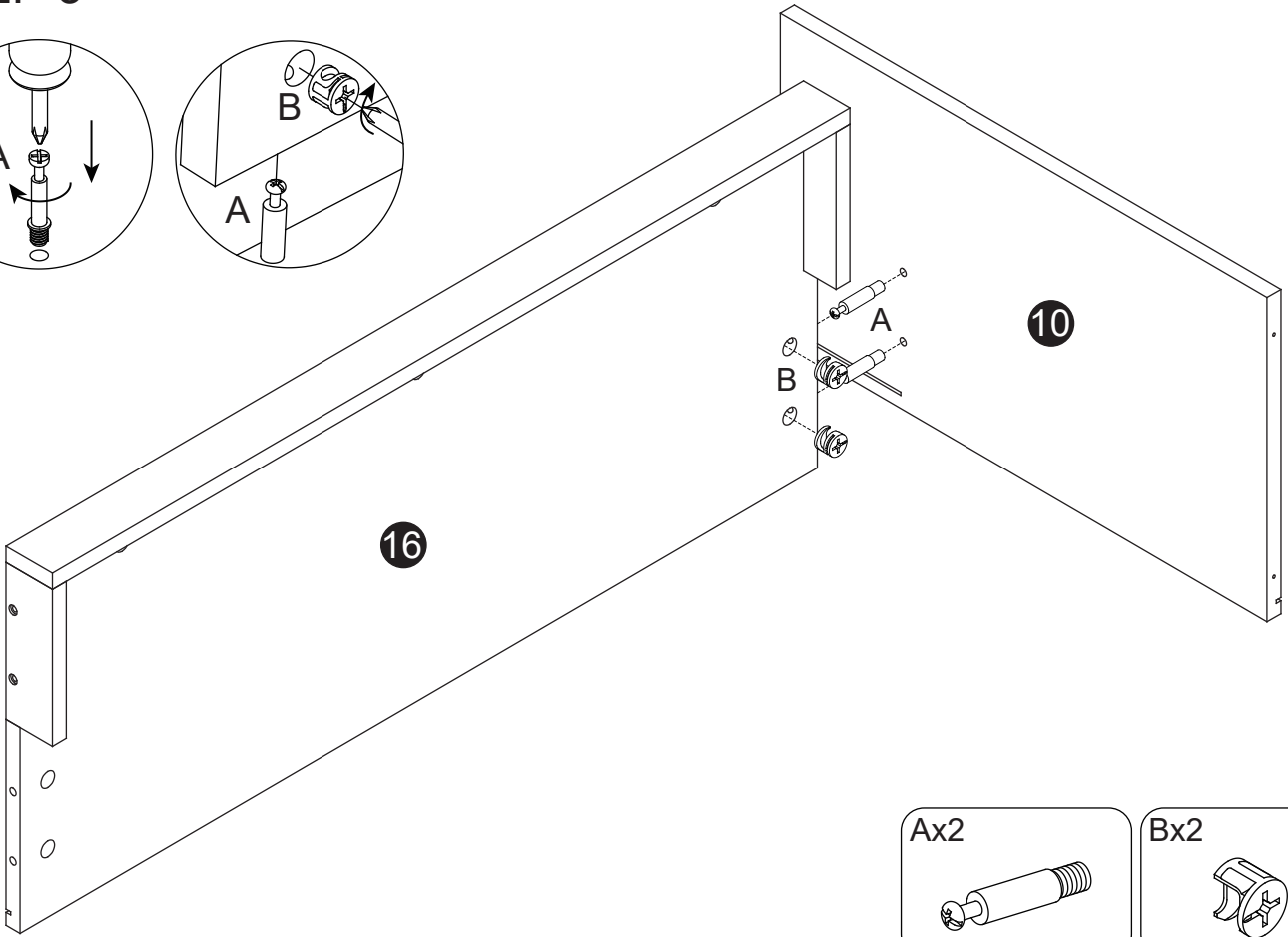
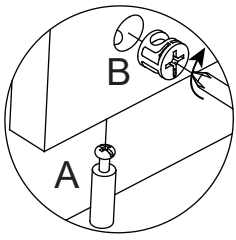
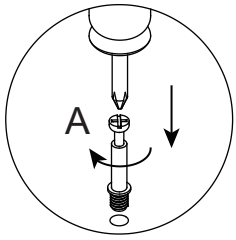


Dx4

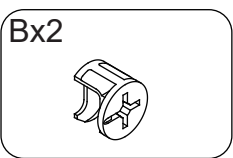
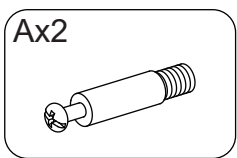
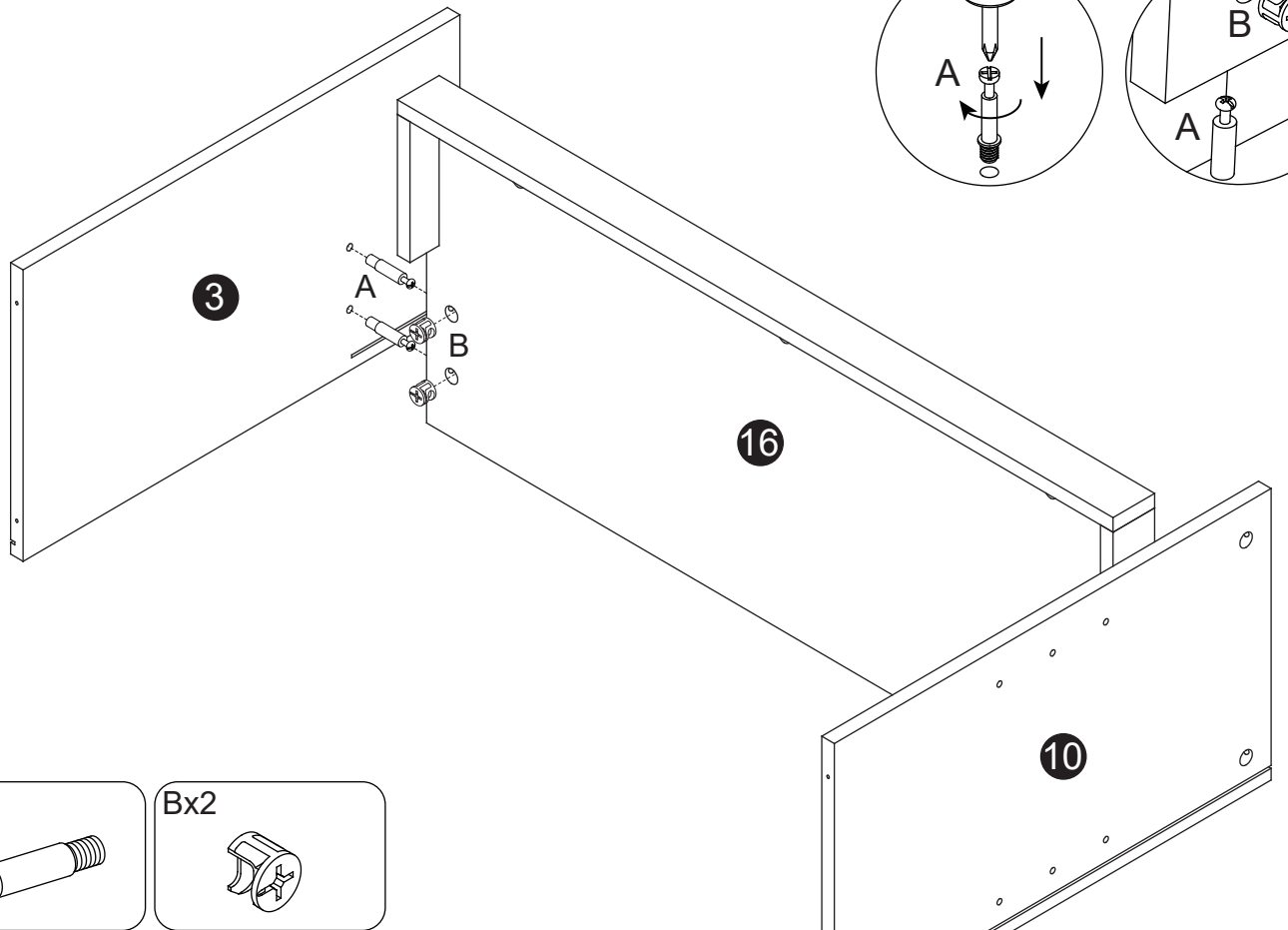
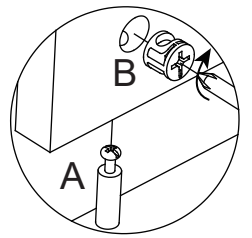
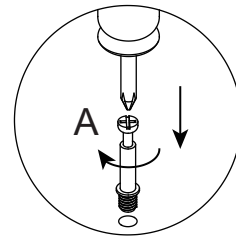


# Installation steps

## STEP 3

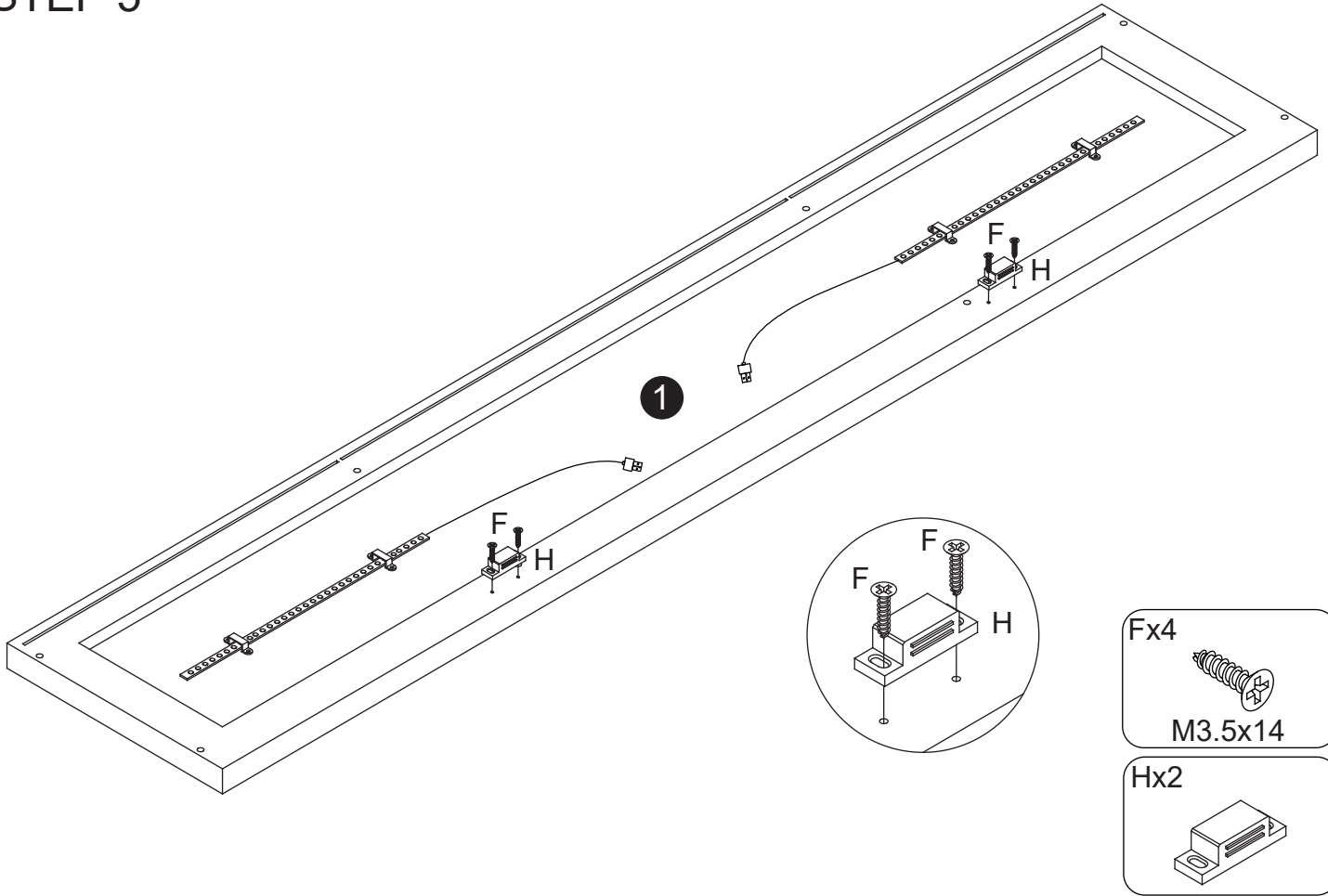


## STEP 4

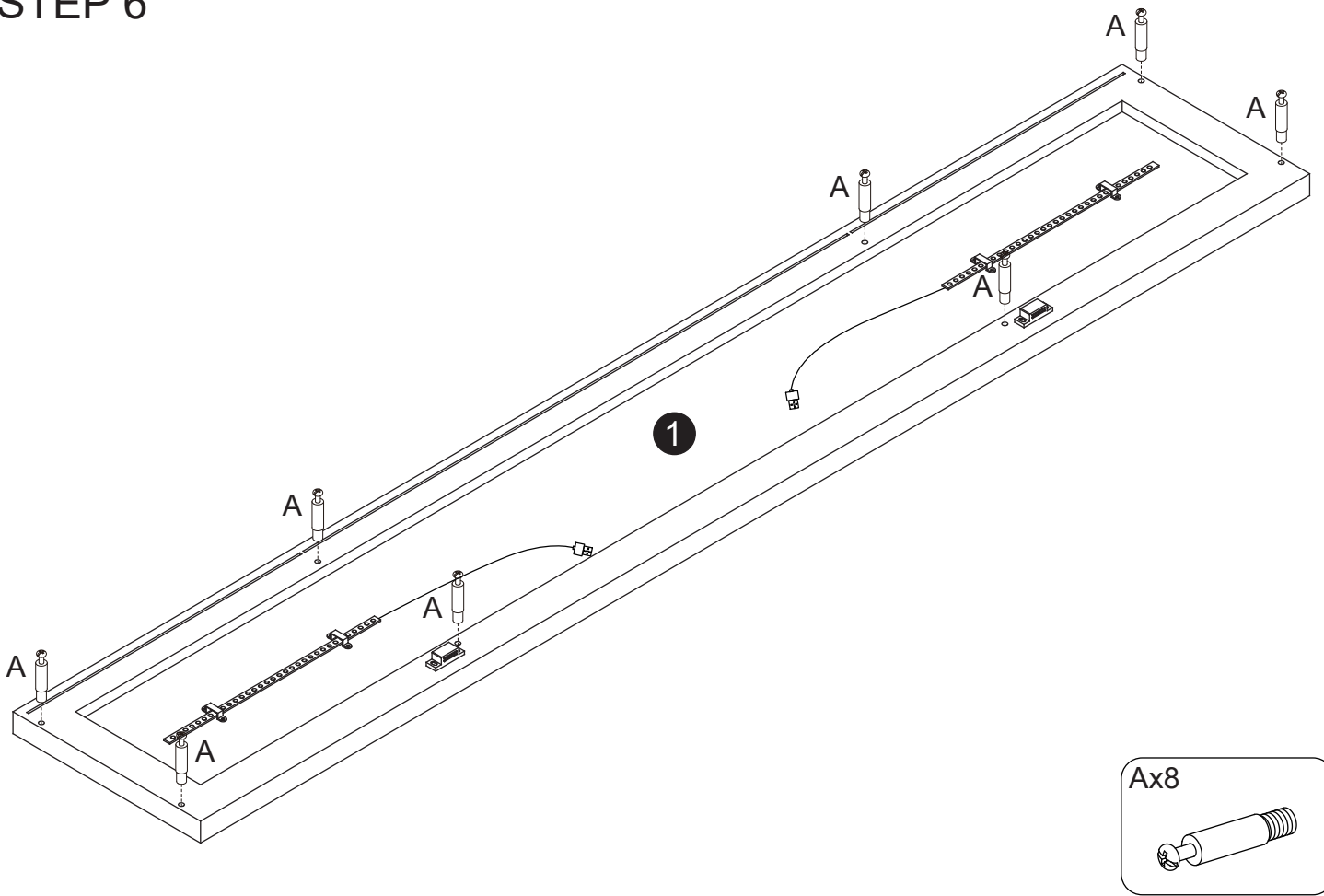


# Installation steps

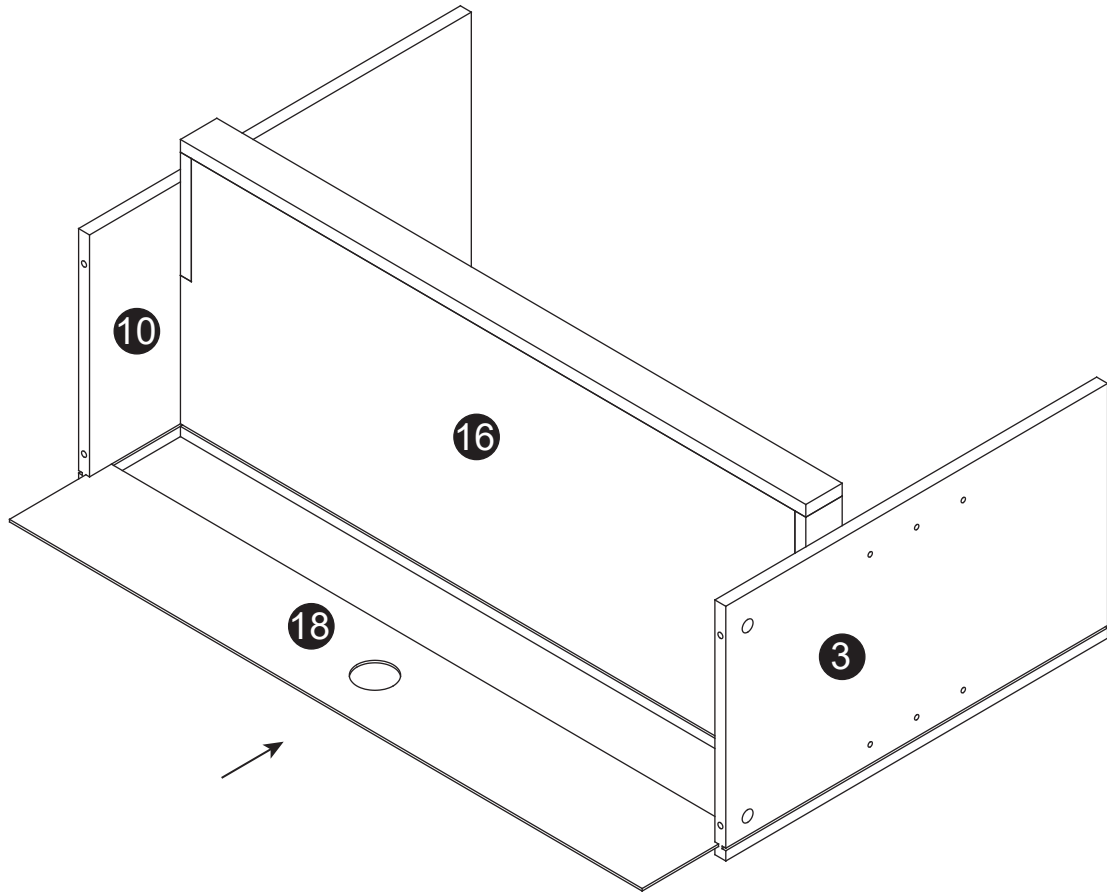
## STEP 5



## STEP 6

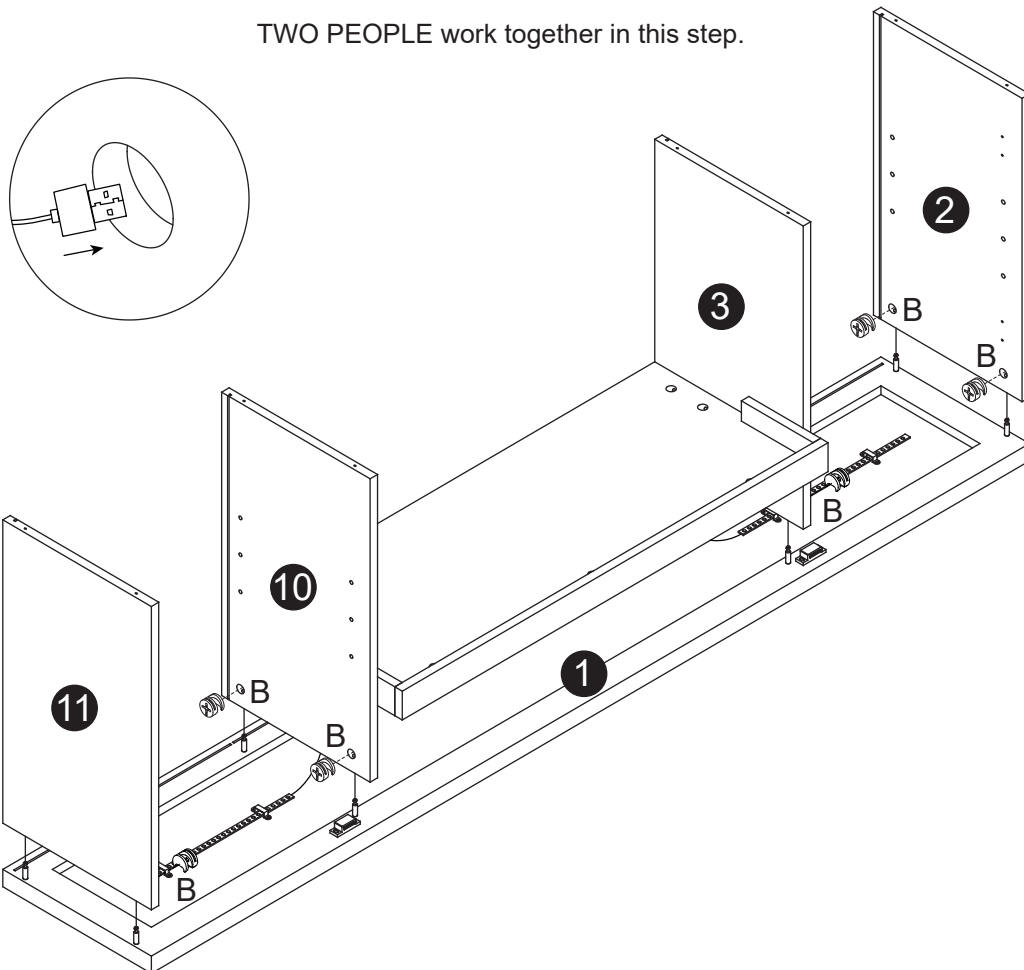


## STEP 7



## STEP 8

TWO PEOPLE work together in this step.

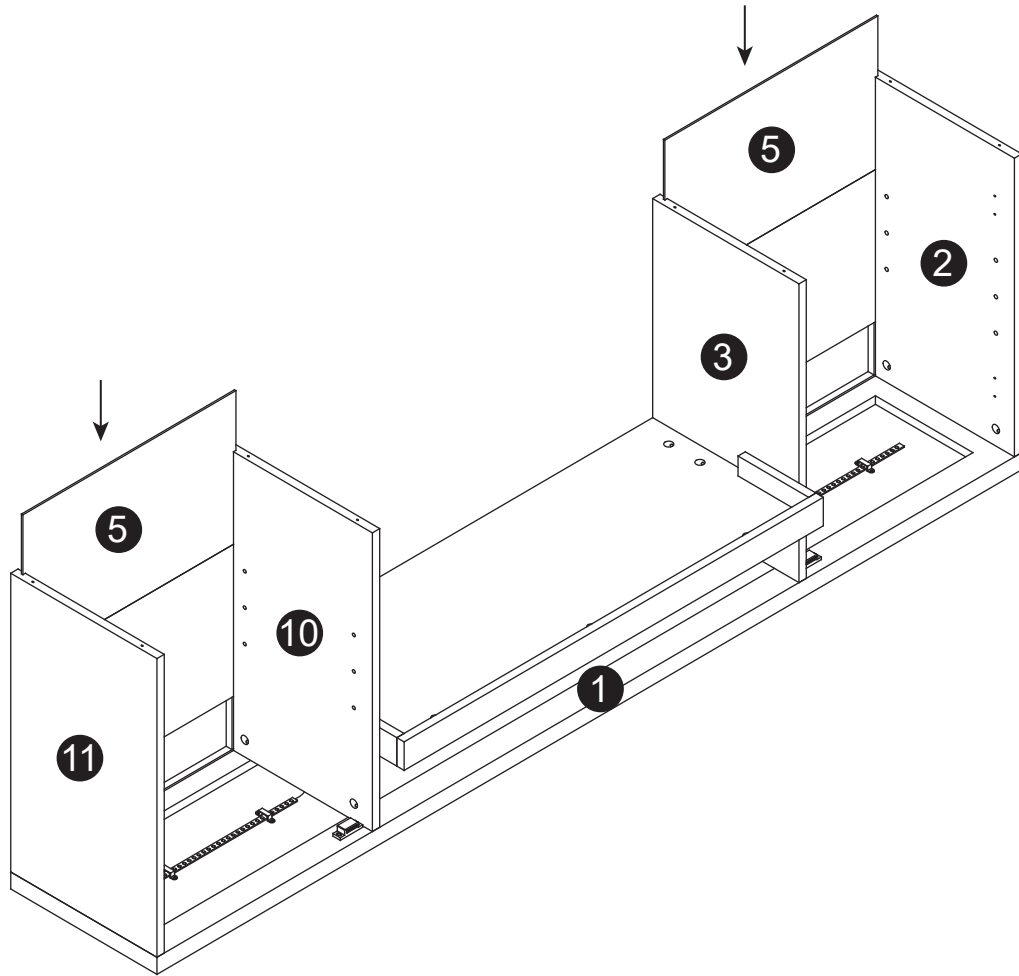


Bx8

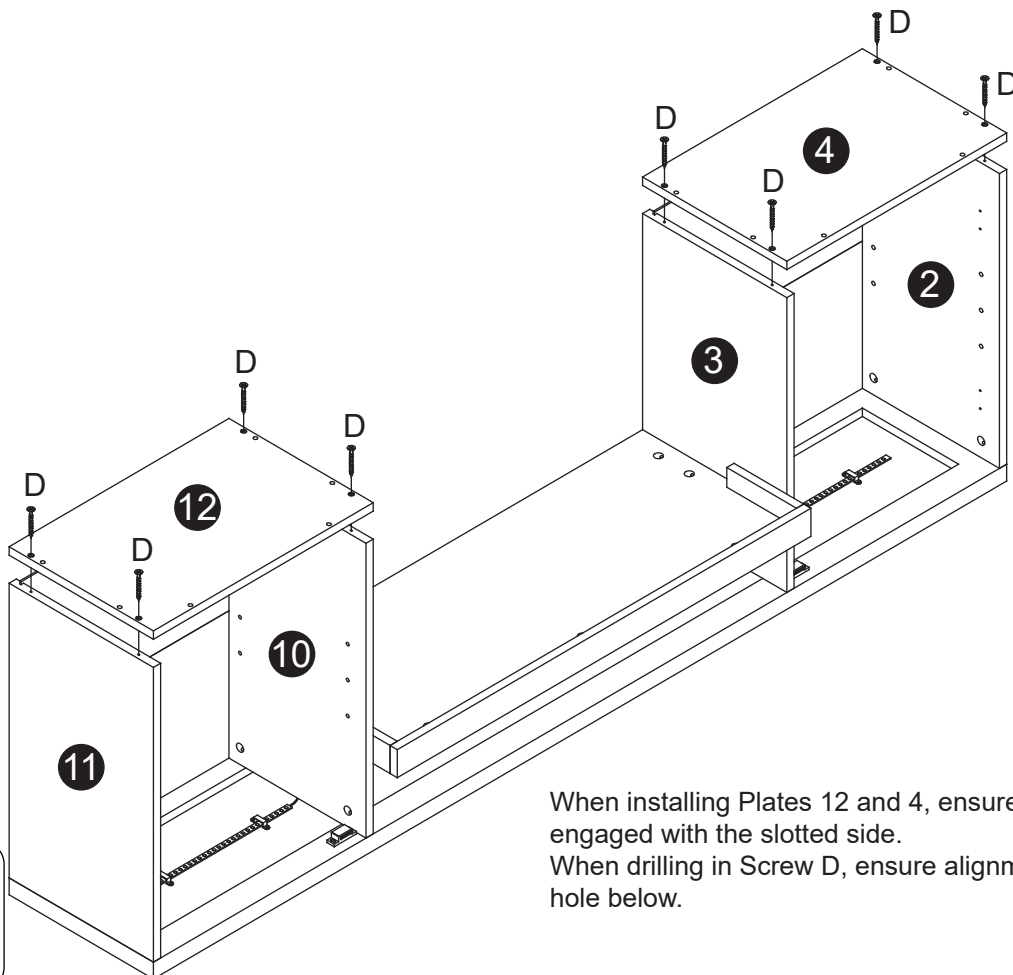
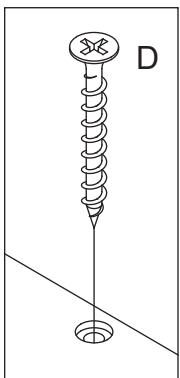


# Installation steps

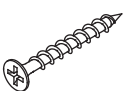
## STEP 9



## STEP 10



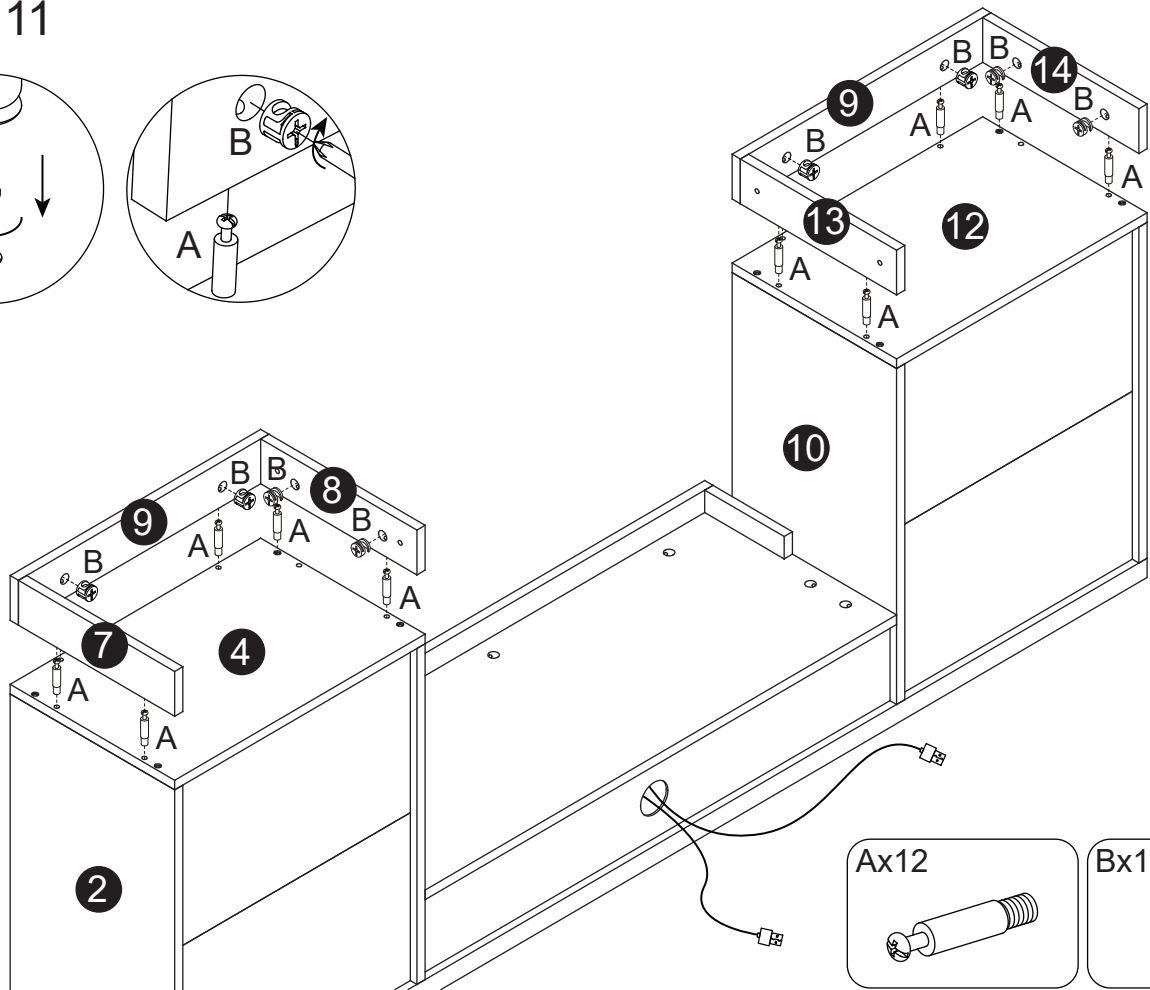
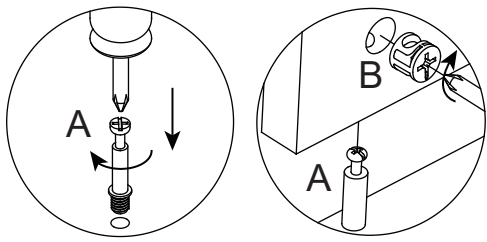
Dx8



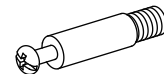
When installing Plates 12 and 4, ensure that Plate 5 is engaged with the slotted side.  
When drilling in Screw D, ensure alignment with the hole below.

# Installation steps

## STEP 11



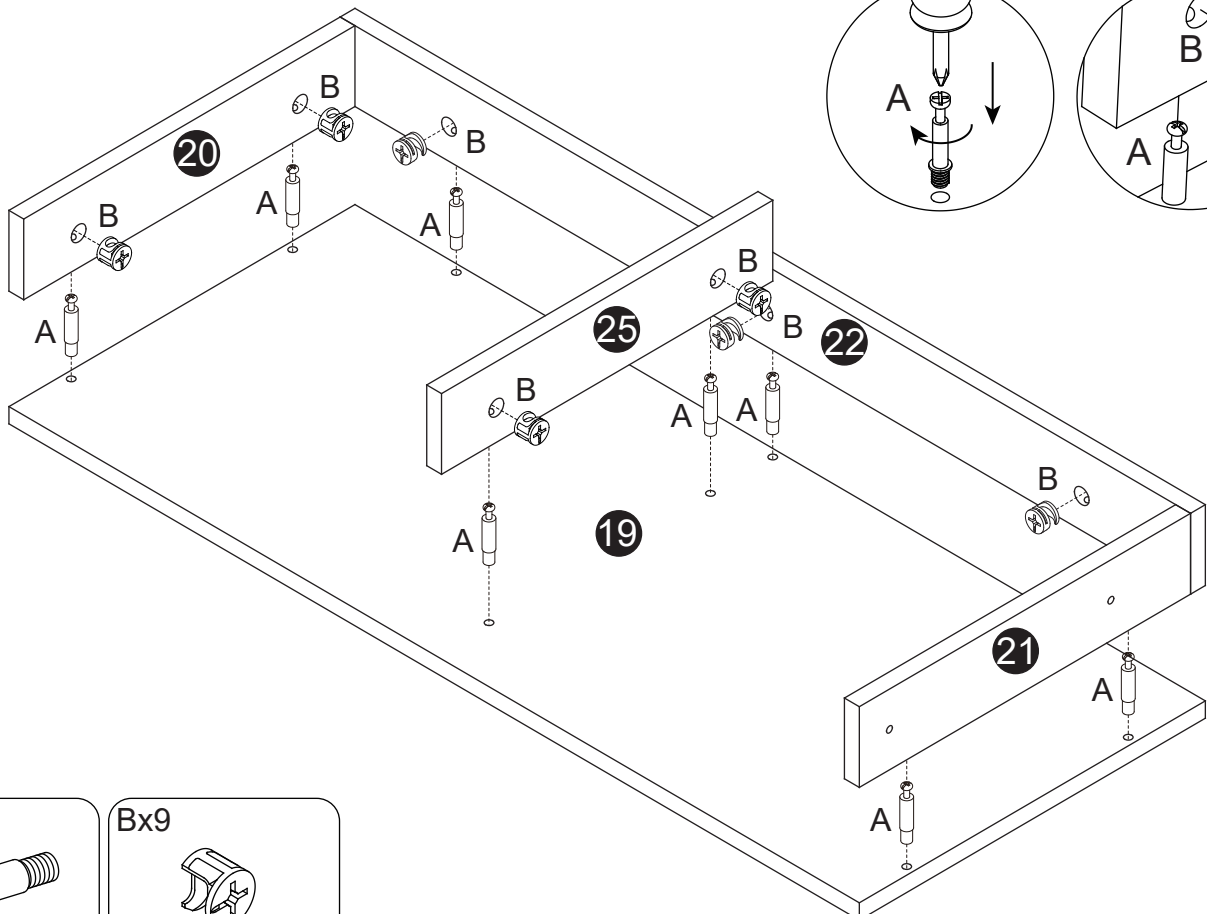
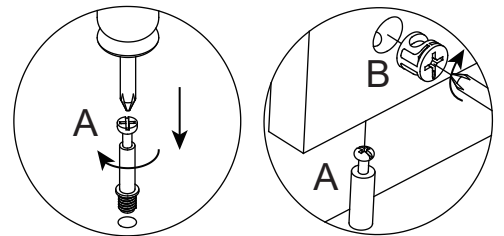
Ax12



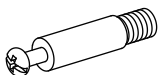
Bx12



## STEP 12



Ax9



Bx9

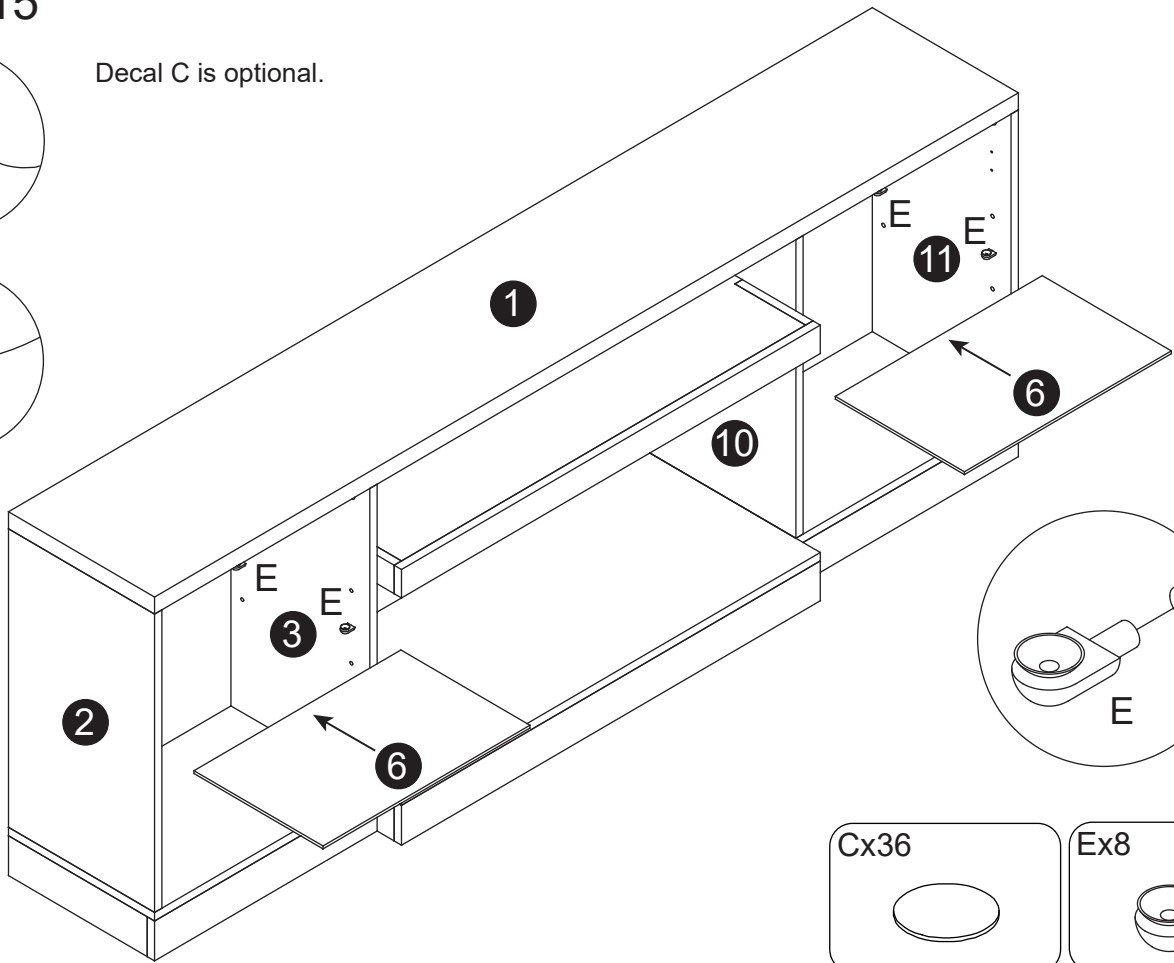
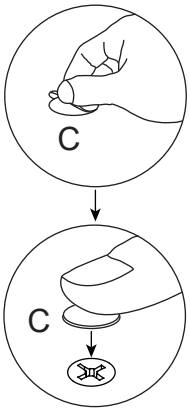




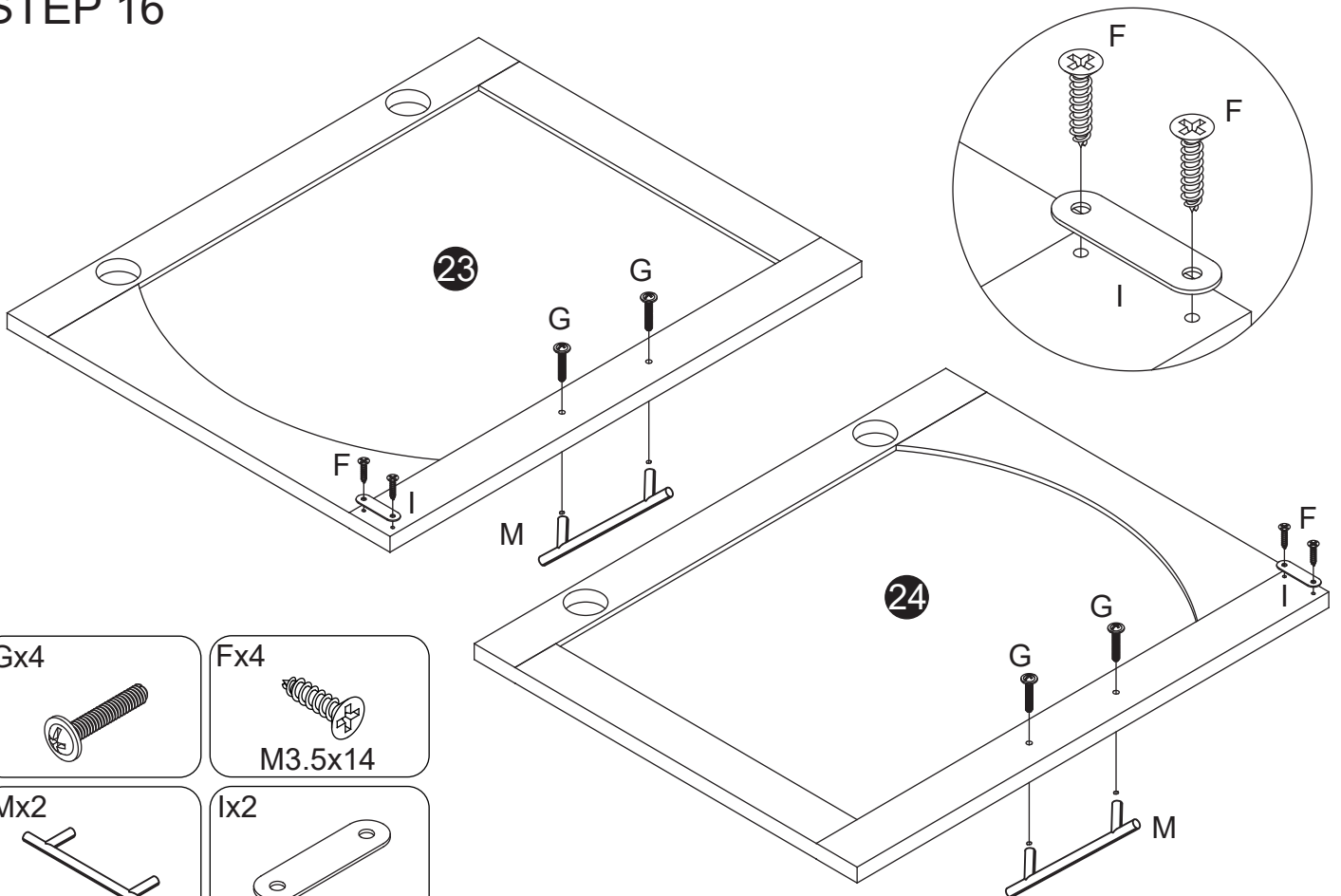
# Installation steps

## STEP 15

Decal C is optional.

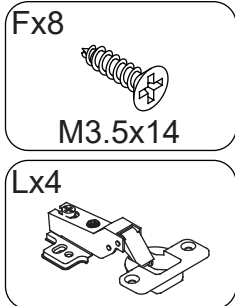
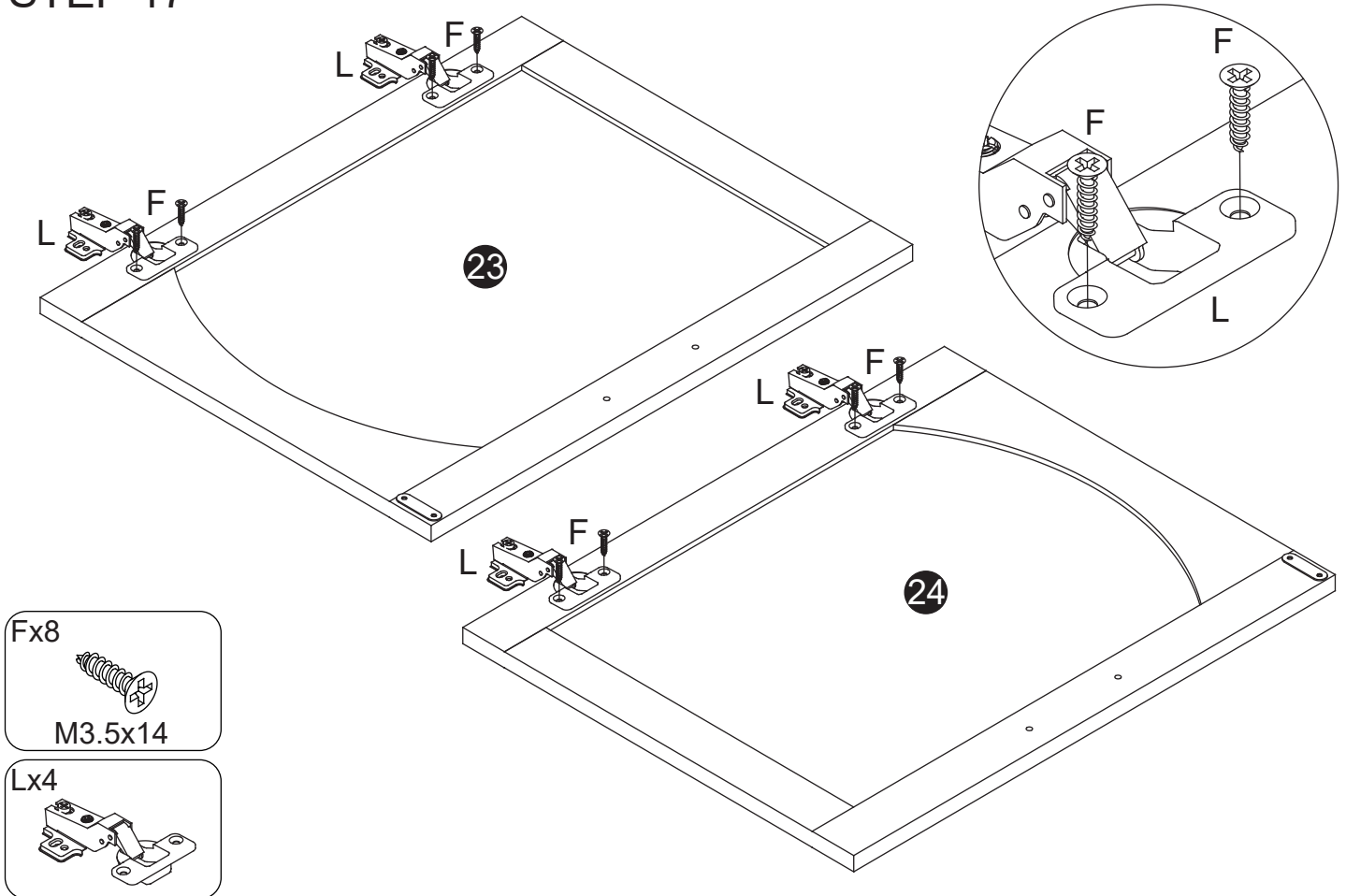


## STEP 16



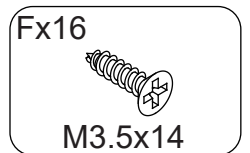
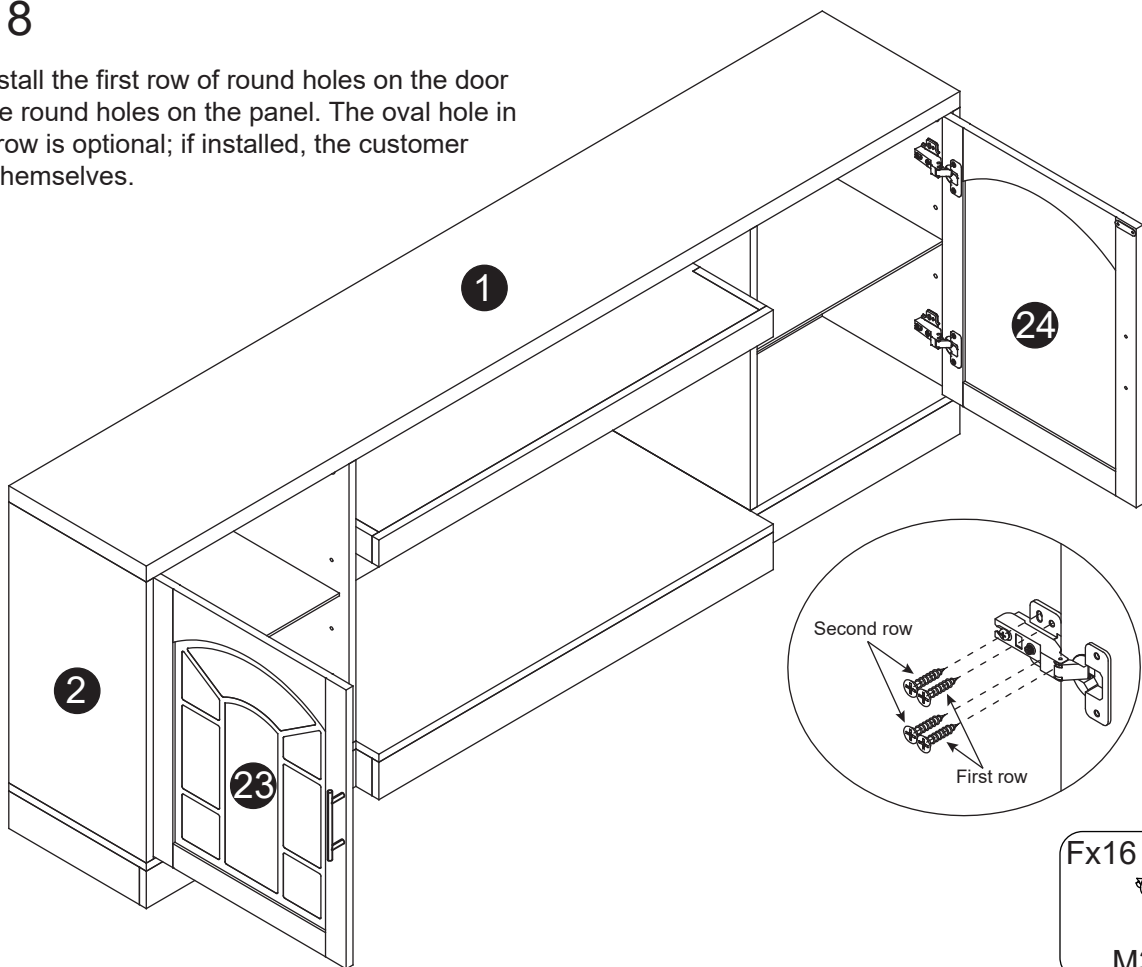
# Installation steps

## STEP 17

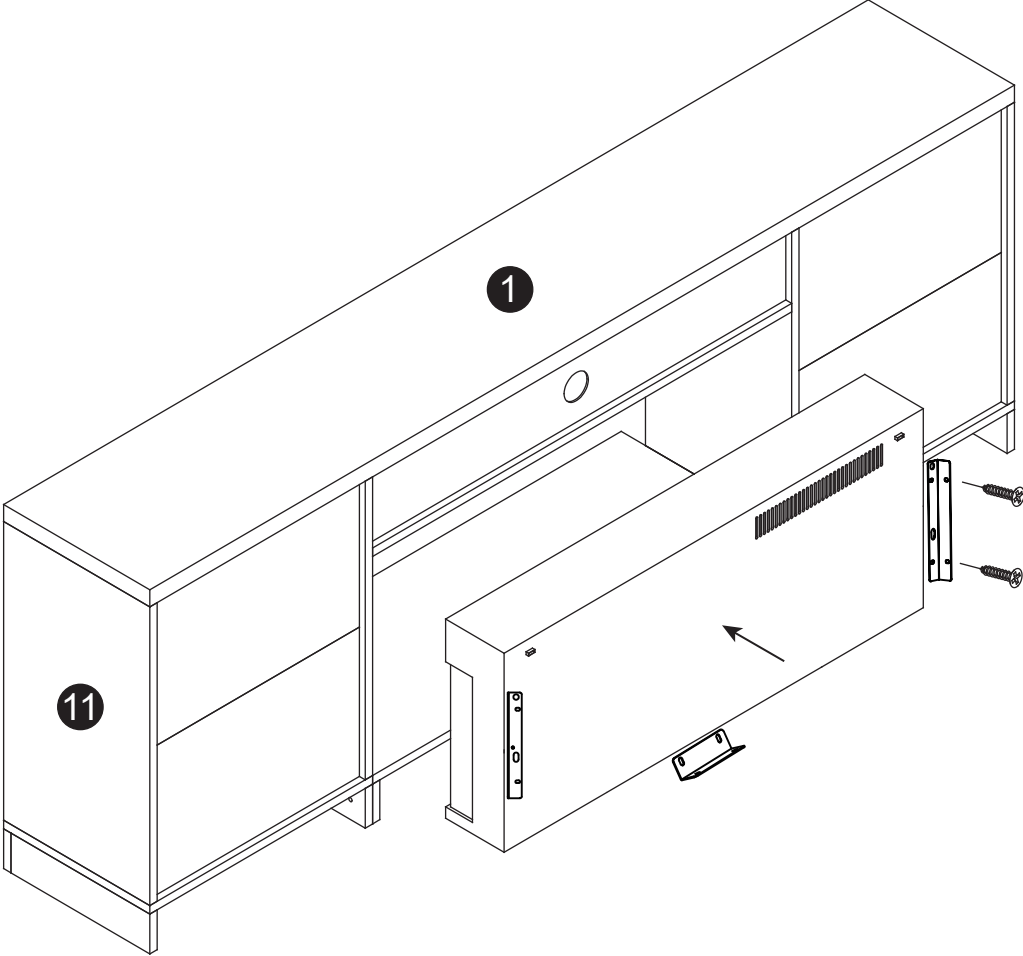


## STEP 18

Align and install the first row of round holes on the door latch with the round holes on the panel. The oval hole in the second row is optional; if installed, the customer must drill it themselves.

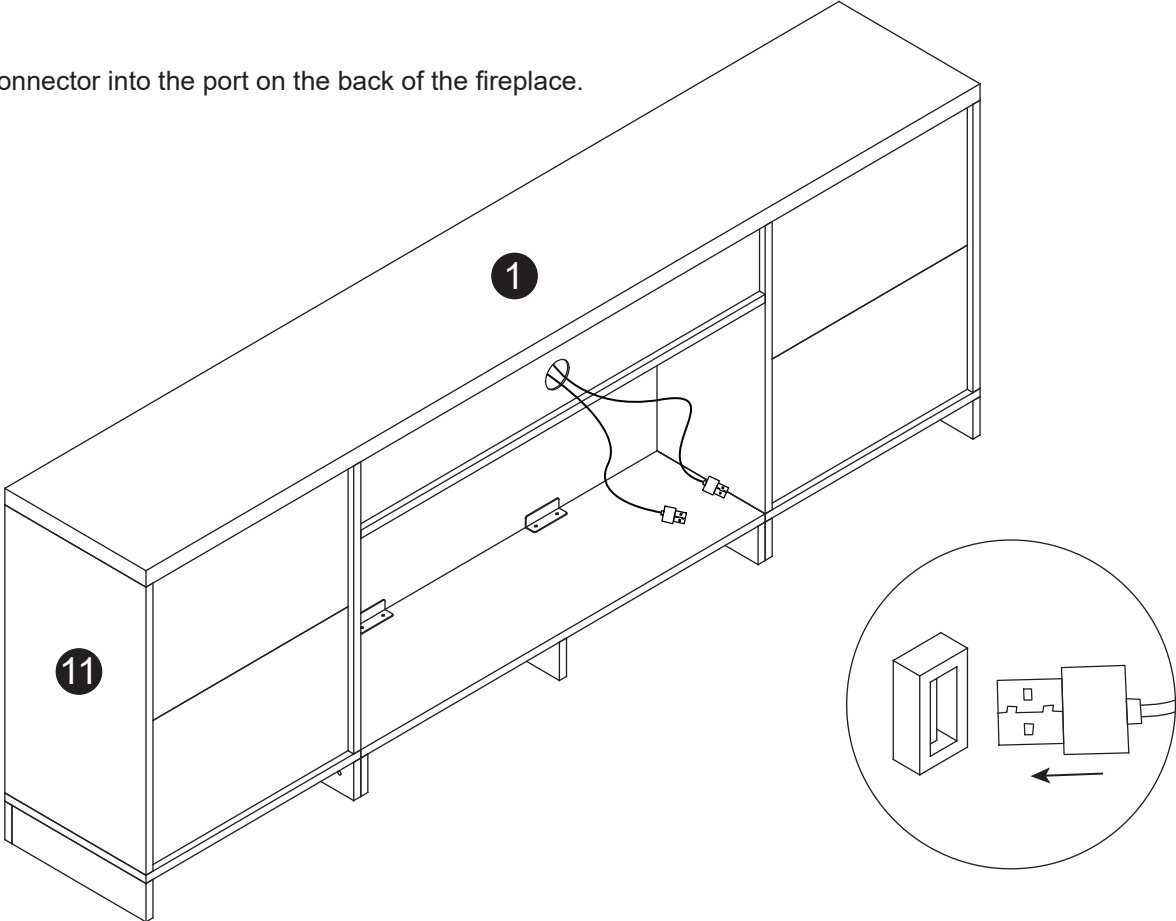


## STEP 19



## STEP 20

Plug the USB connector into the port on the back of the fireplace.



STEP 21

