

MODEL : 2 DOOR DRAWER

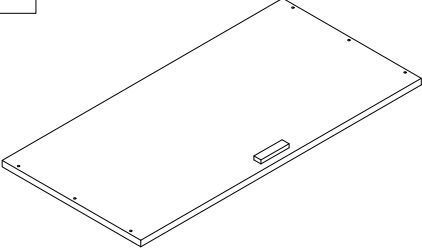
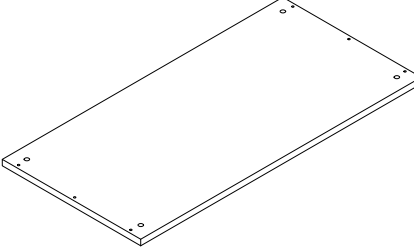
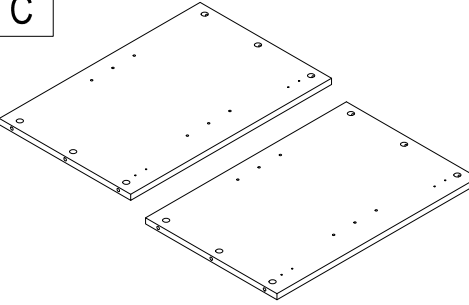
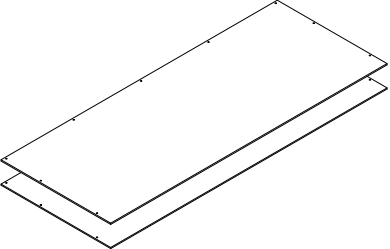
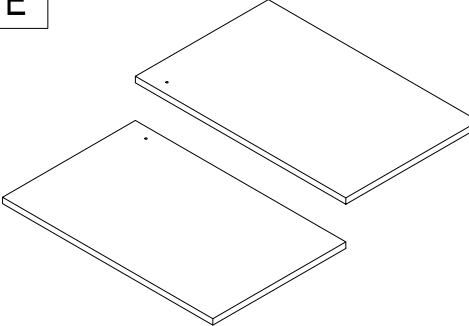
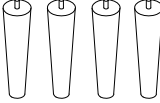
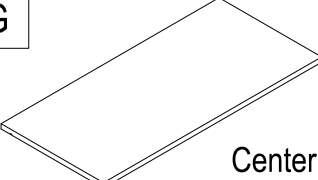
ASSEMBLY INSTRUCTION

ASSEMBLY TIPS : Remove hardware from box and sort by size. Check that all hardware and parts are present before assembling. Following instruction below in proper sequence to ensure fast, easy and correct assembly.



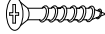
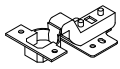
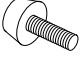

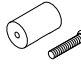
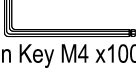


WARNING : DO NOT FULLY TIGHTEN ALL BOLTS UNTIL ALL PARTS IN PLACE. FAILURE TO FOLLOW THIS INSTRUCTION MAY CAUSE THE BOLTS TO BE MISALIGNED DURING THE ASSEMBLY.

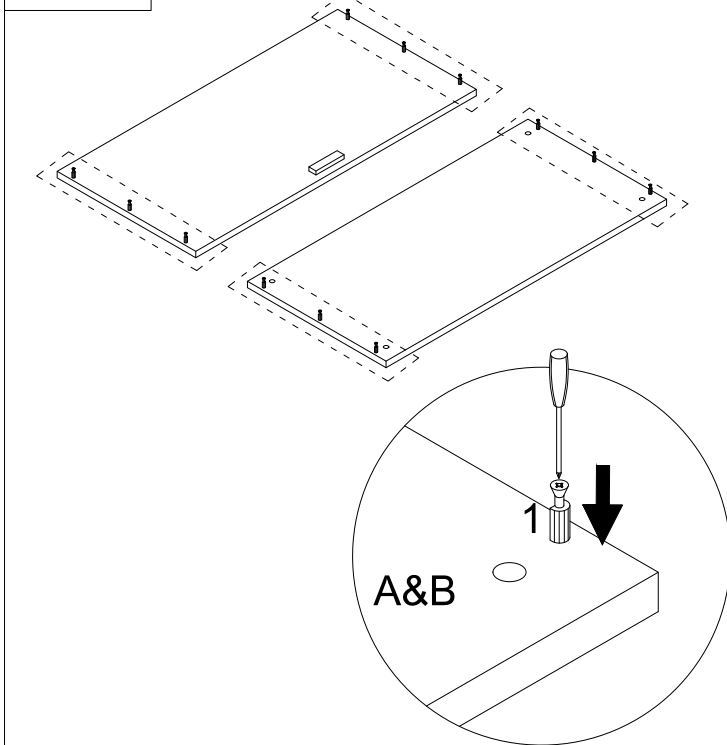
PART LIST

<p>A</p>  <p>Top Panel X 1</p>	<p>B</p>  <p>Btm Panel X 1</p>	<p>C</p>  <p>L&R Panel X 2</p>
<p>D</p>  <p>Back Panel X 2</p>	<p>E</p>  <p>Door Panel L&R X 2</p>	<p>F</p>  <p>Leg X 4</p> <p>G</p>  <p>Center Panel X 1</p>

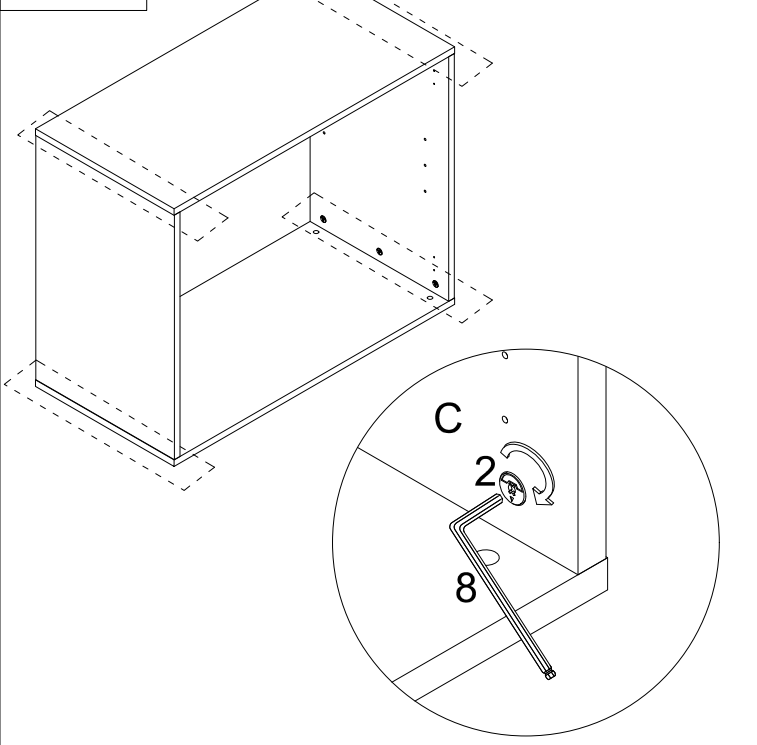
HARDWARE LIST

<p>1</p>  <p>Minifix Bolt B23/5/11=12+1pcs</p>	<p>2</p>  <p>Minifix Casing 15/15=12+1pcs</p>	<p>3</p>  <p>CSK 3.5 x 12MM=42+1pcs</p>	<p>4</p>  <p>Hinges=4pcs</p>
<p>5</p>  <p>Adjuster=4pcs</p>	<p>6</p>  <p>Shelf Support=4+1pcs</p>	<p>7</p>  <p>Handle(Screw20mm)=2pcs</p>	<p>8</p>  <p>Allen Key M4 x100MM With Ball=1pc</p>

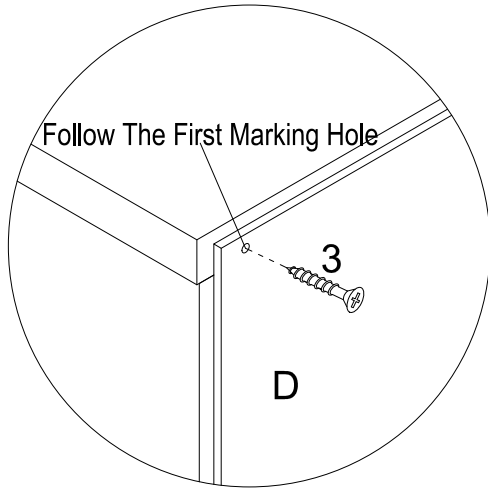
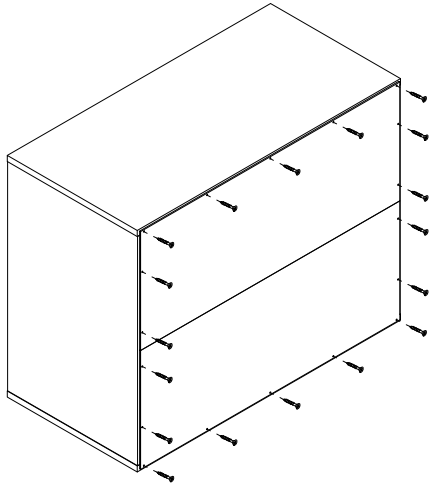
Step 01



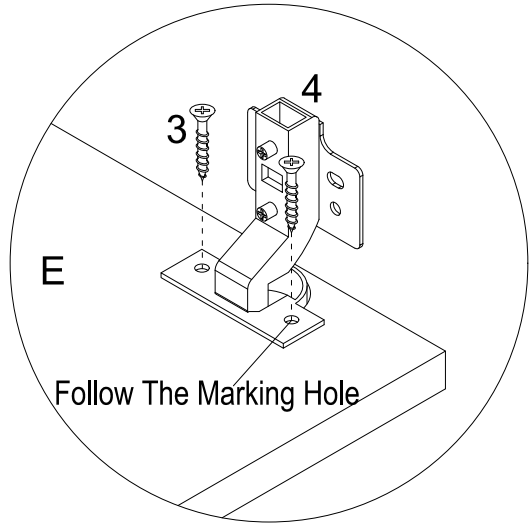
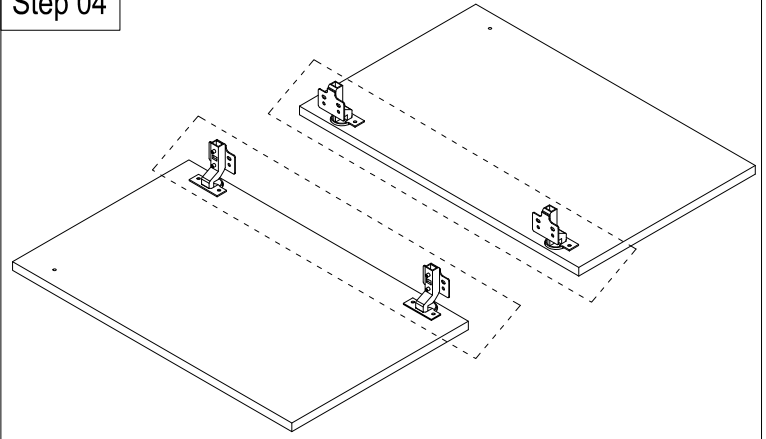
Step 02



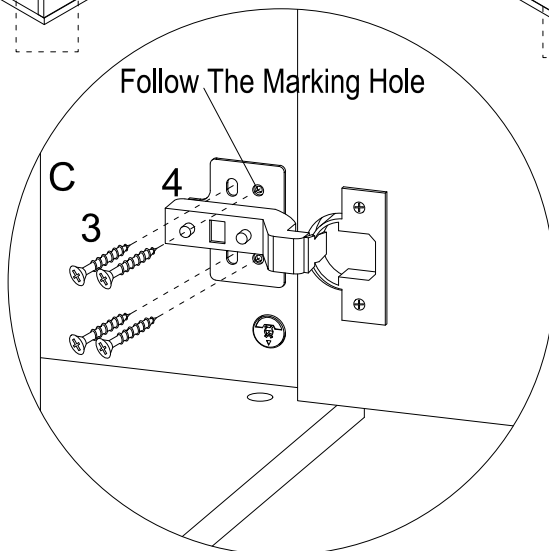
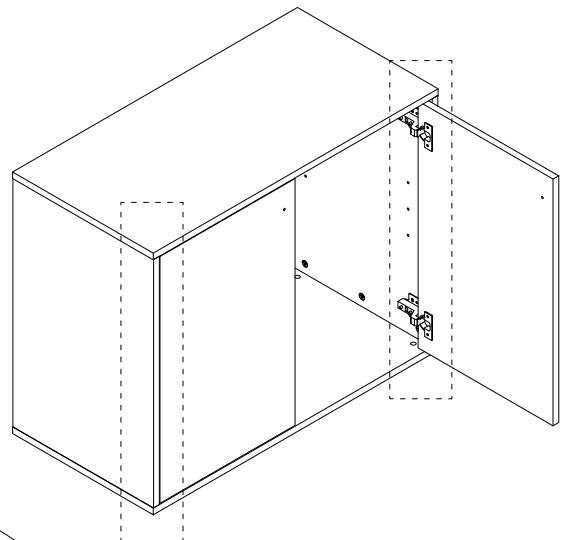
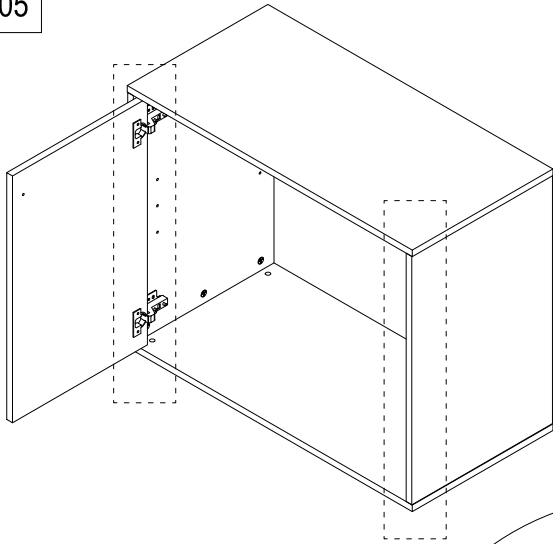
Step 03



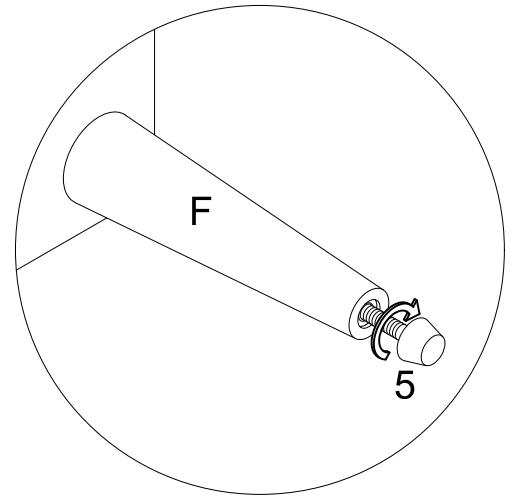
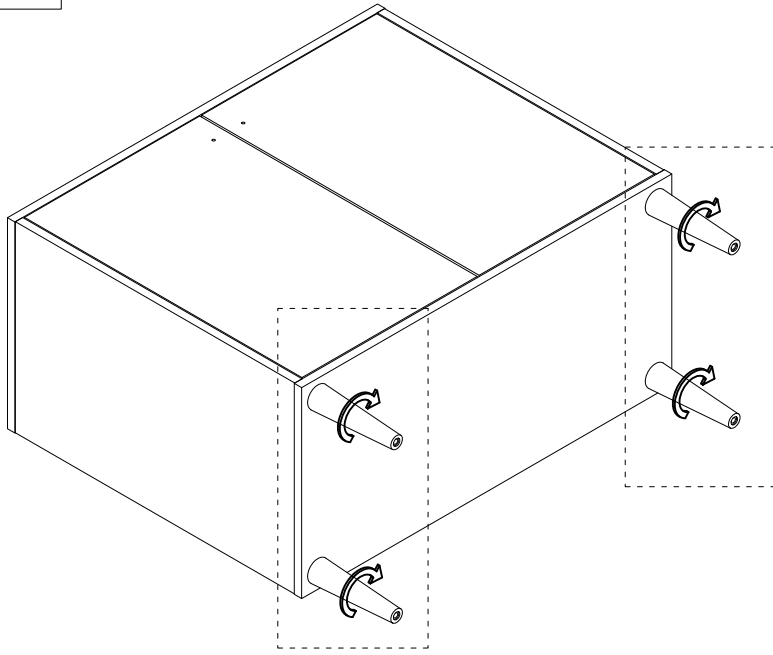
Step 04



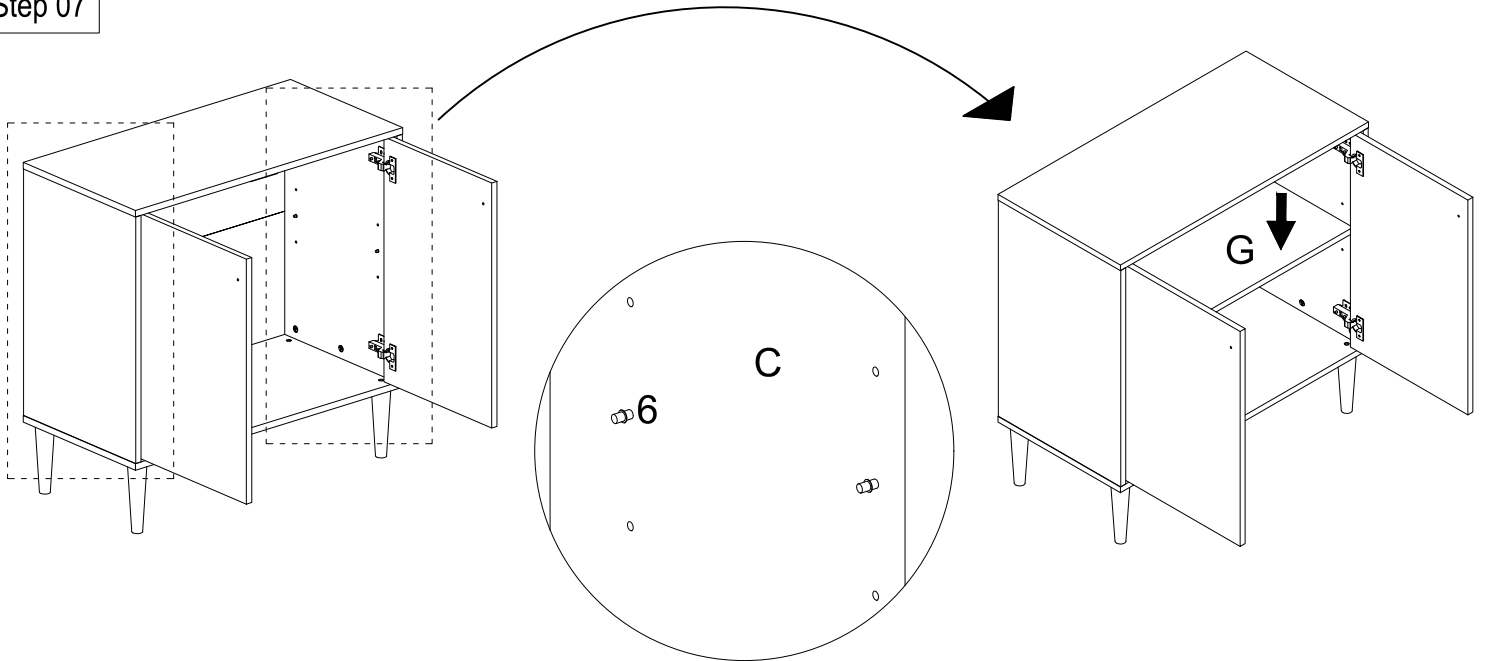
Step 05



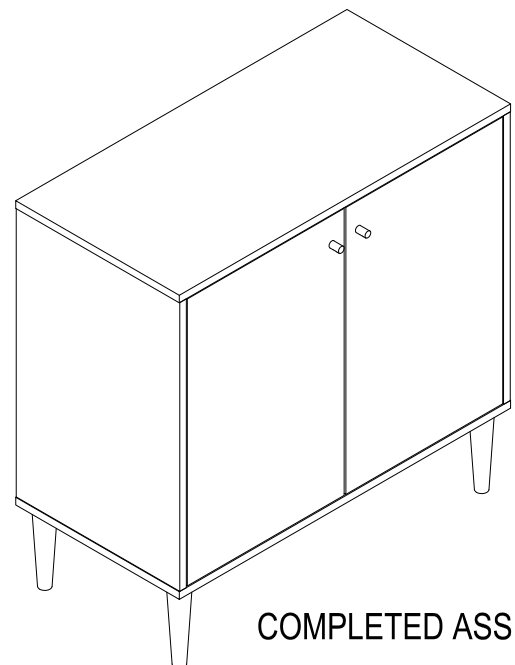
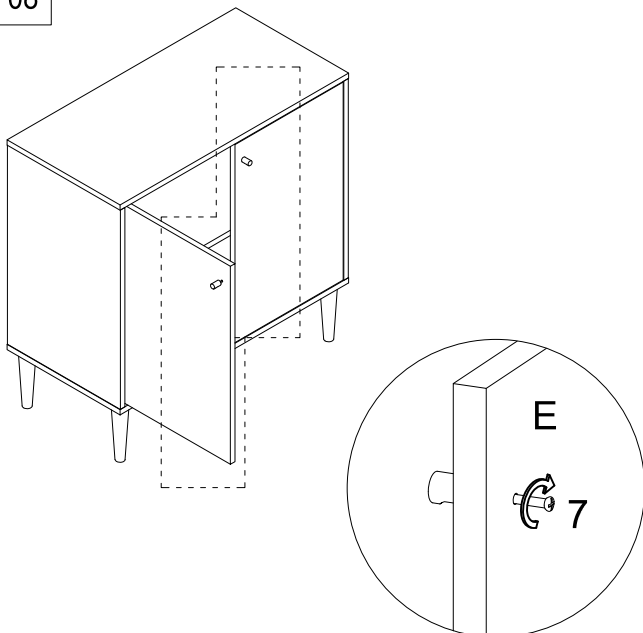
Step 06



Step 07



Step 08



COMPLETED ASSEMBLY