

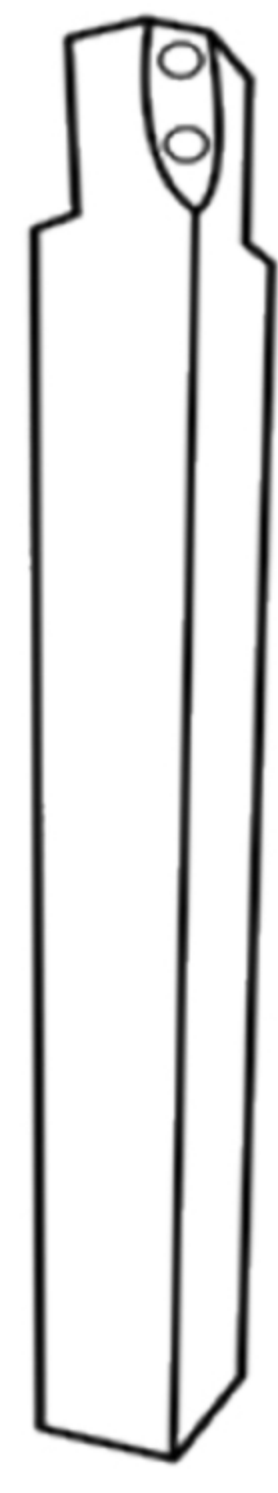
# ASSEMBLY INSTRUCTIONS

## PARTS LIST

①



②



③

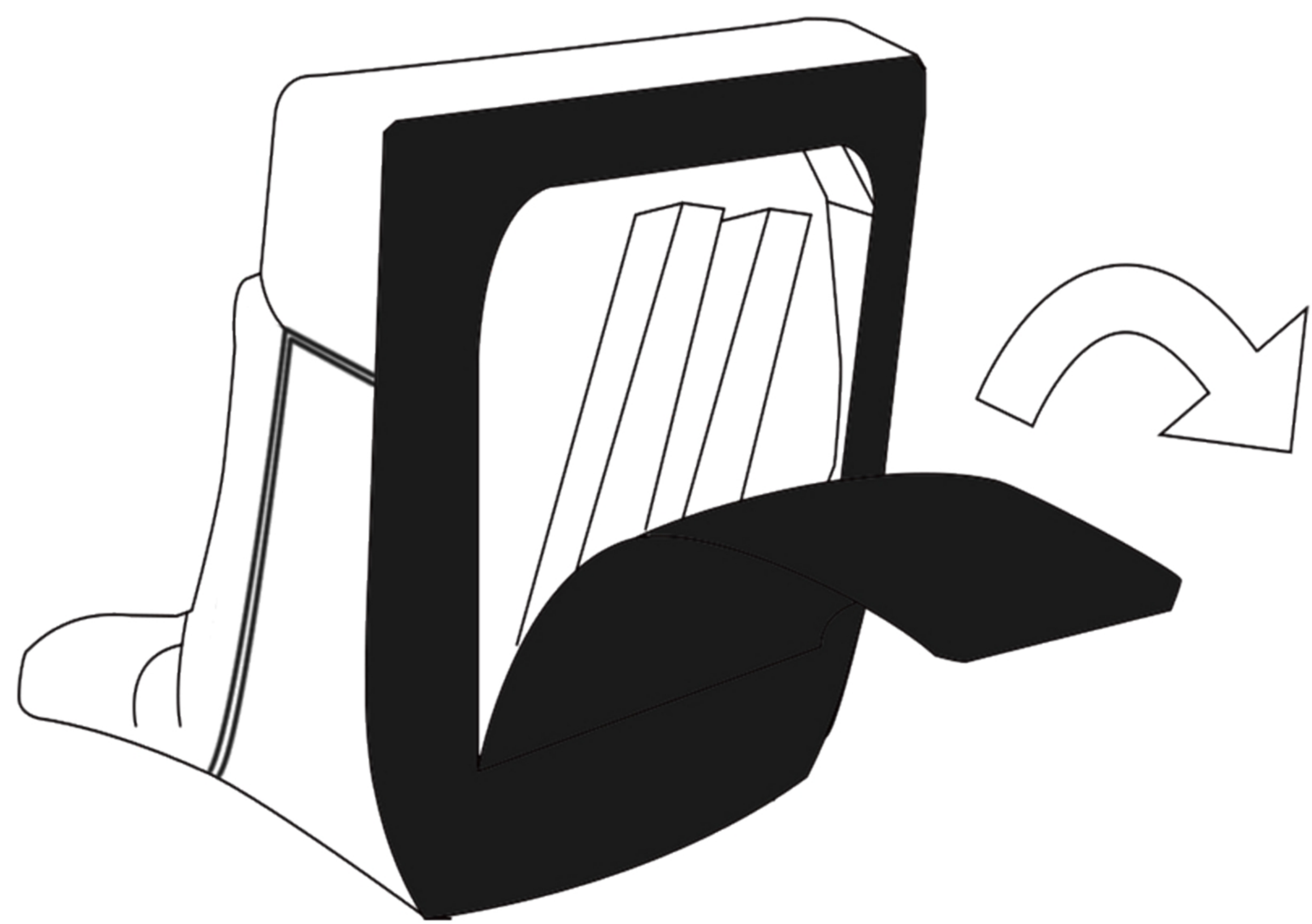


Part	Description	Qty
1	Seat Frame	1
2	Front Legs	2
3	Rear Legs	2

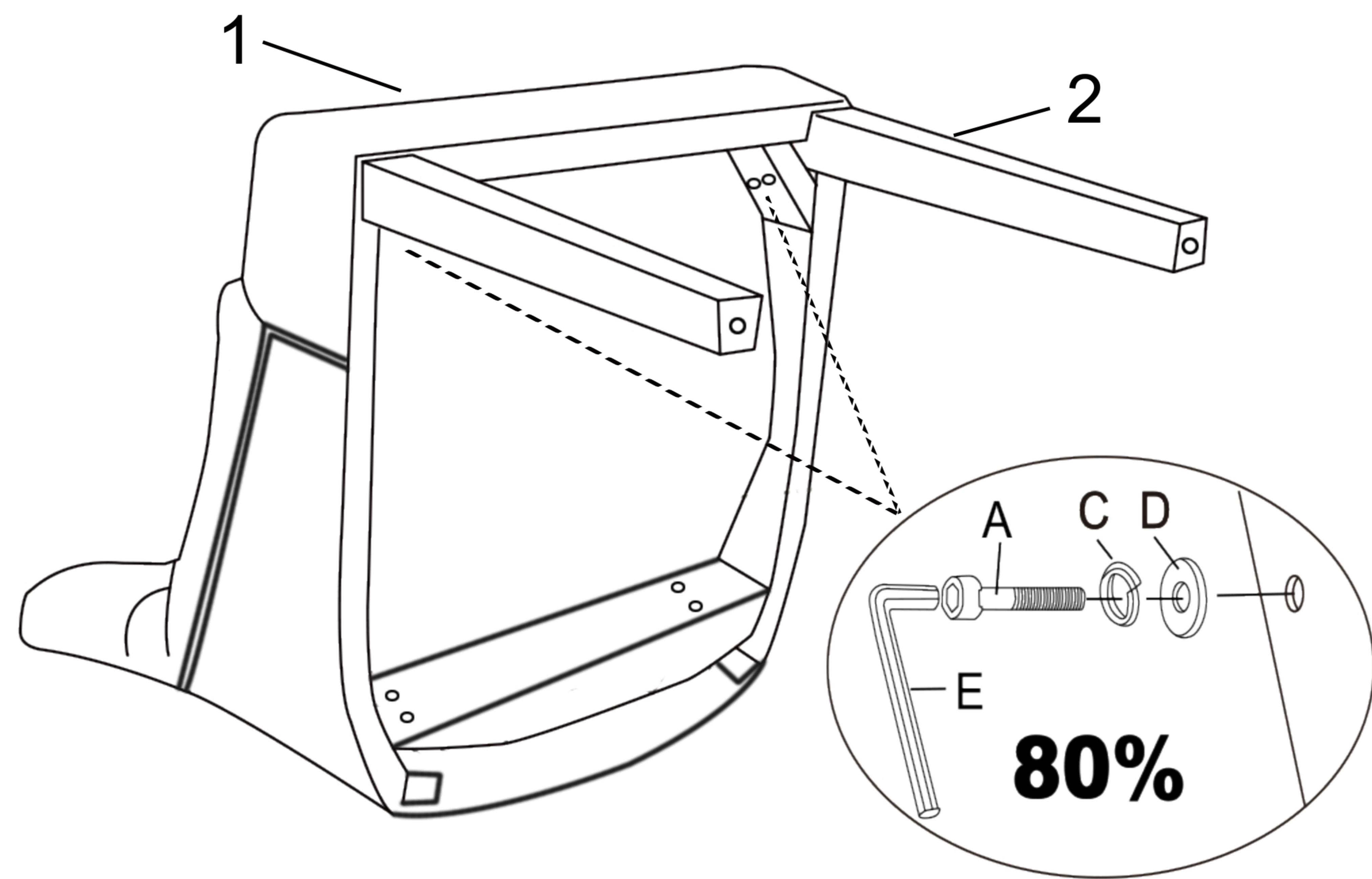
## HARDWARE LIST

Part	Diagram	Description	Qty
A		Bolt M8*60MM	4
B		Bolt M8*45MM	4
C		Spring Washer	8
D		Flat Washer	8
E		Allen Key	1

1

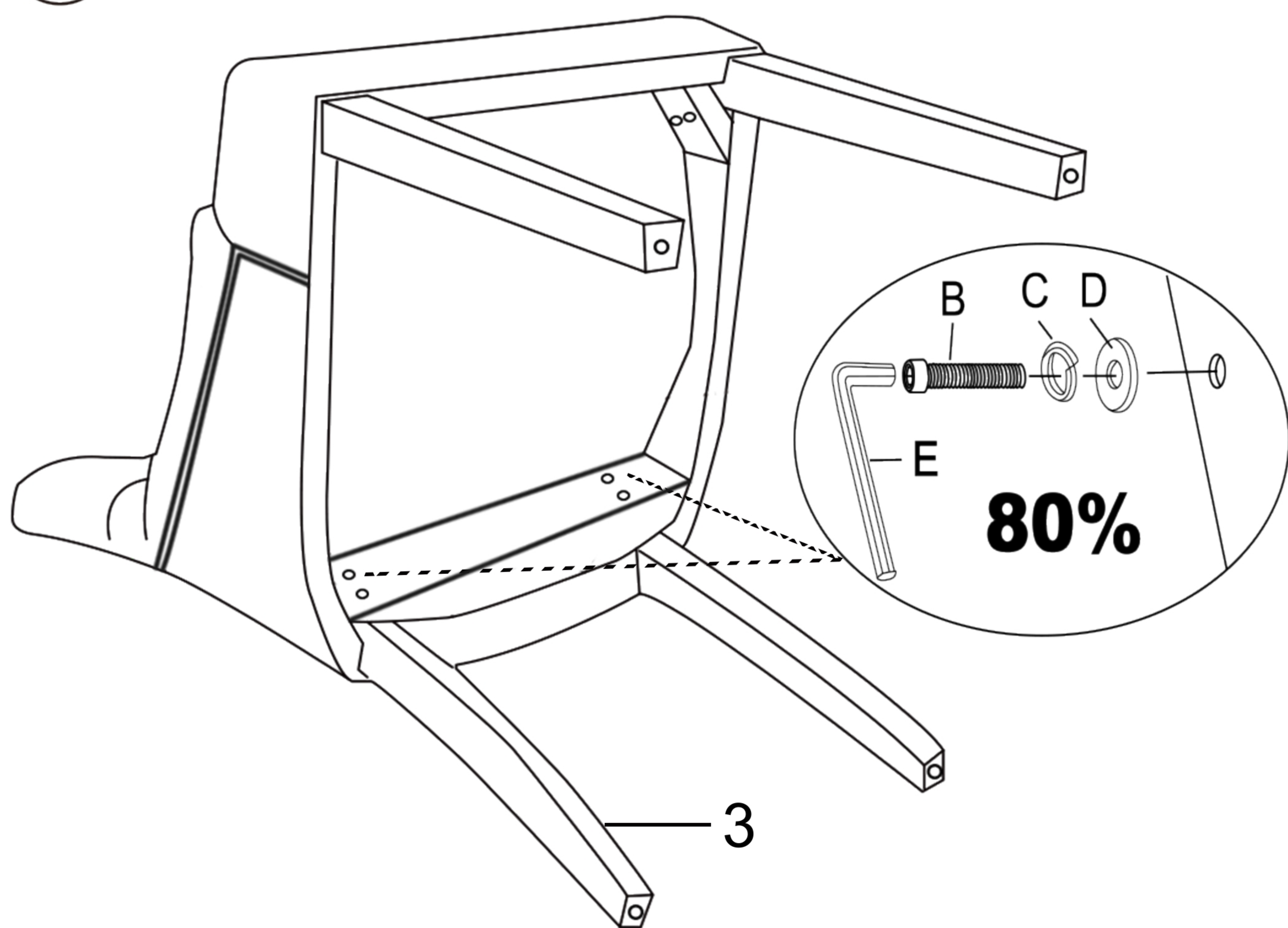


2



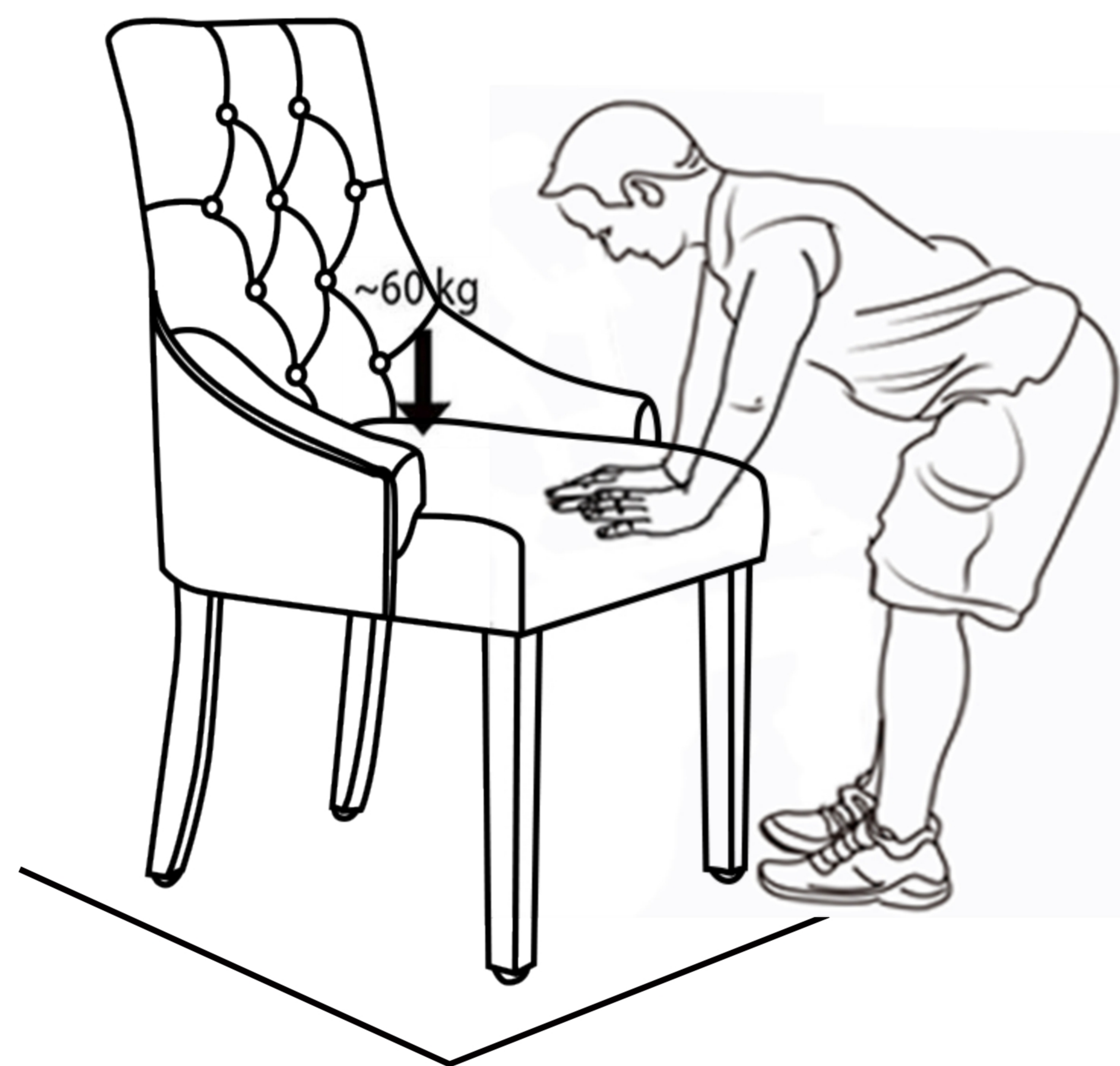
Put the screws in the holes, tight the screws, but not too tight, 80% is ok.

3



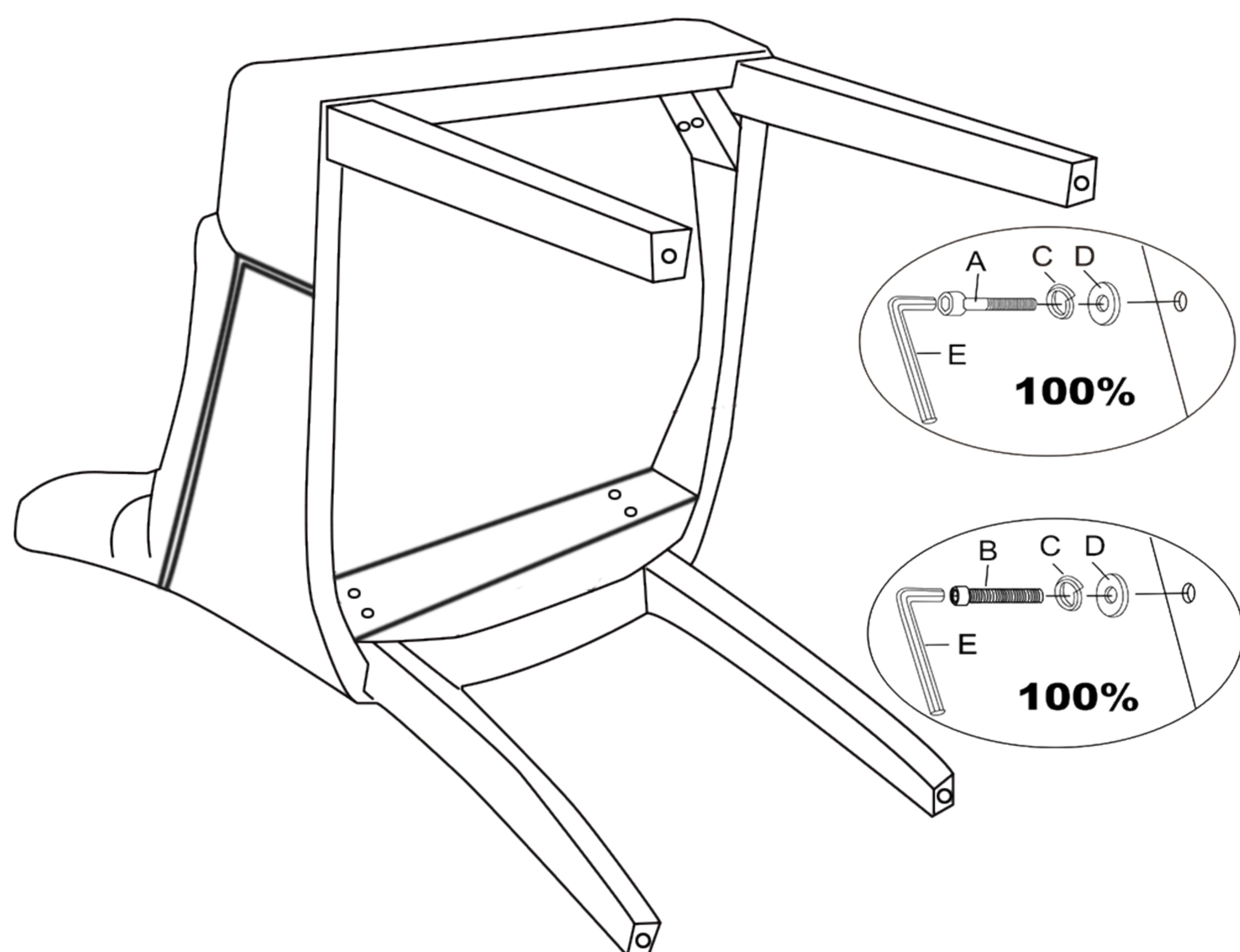
Put the screws in the holes, tight the screws, but not too tight, 80% is ok.

4



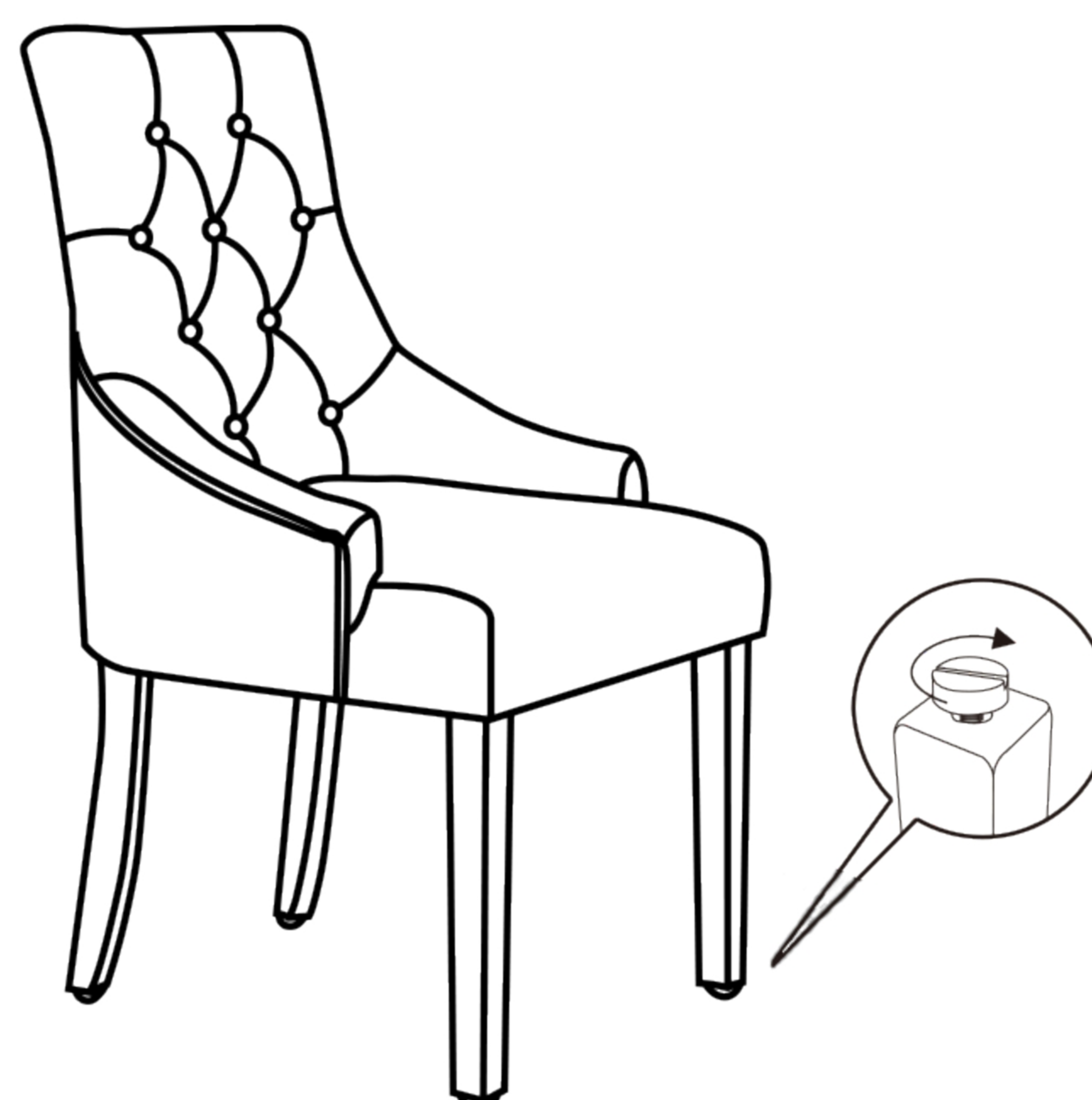
Place the chair on an even surface. Put a load of approx. 60KG on to the seat. Adjust until all 4 legs are level – before you carefully tighten the screws.

5



Tight all the screws to 100%

6



Turn the chair upright then adjust the level if it wobbles. NOTE! The screws must be tightened after a period of use, and thereafter as required.