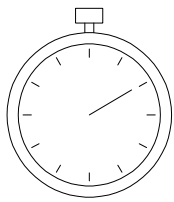
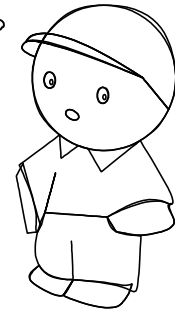
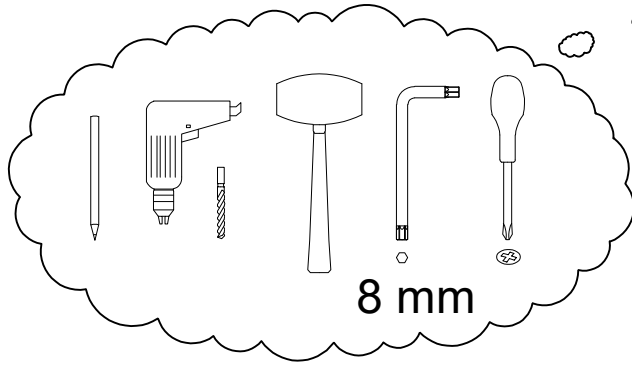
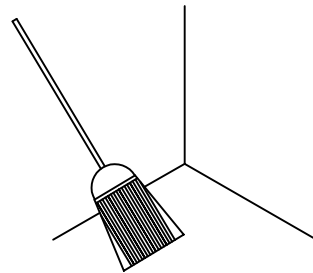
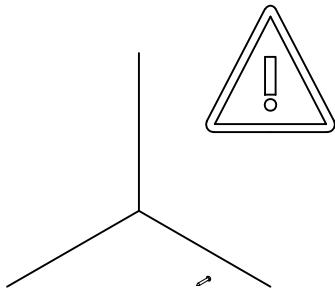
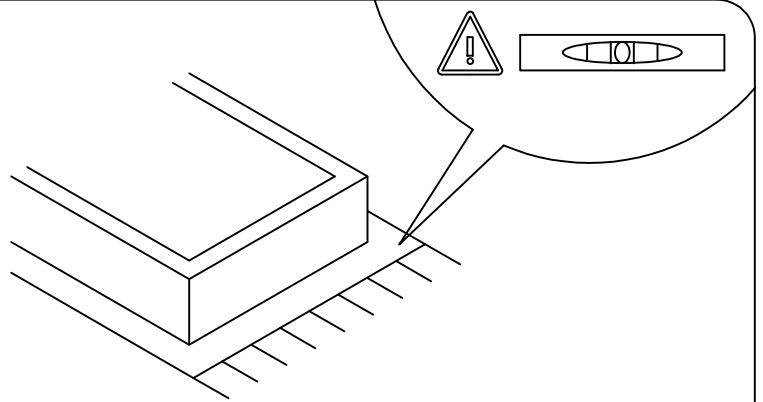
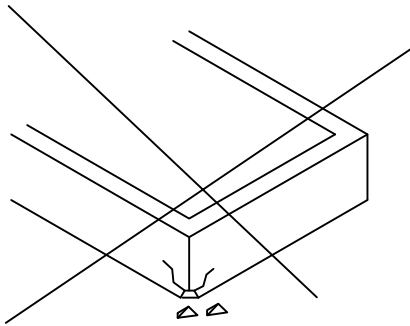
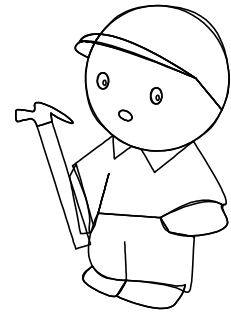
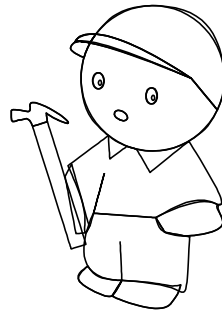




Disclaimer: Please note that this generic instruction manual is applicable to multiple models.

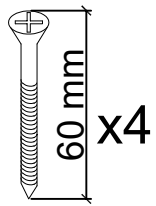


60min.

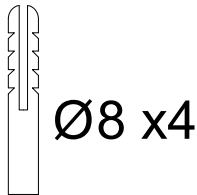




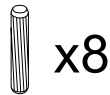
CONTENT:



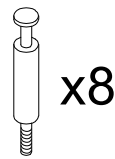
H1



H2



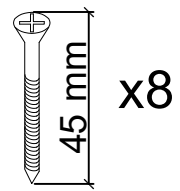
H3



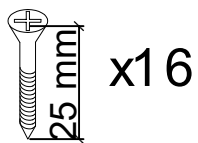
H4



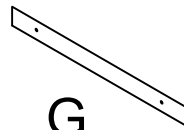
H5



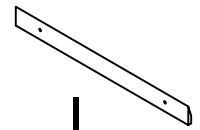
H6



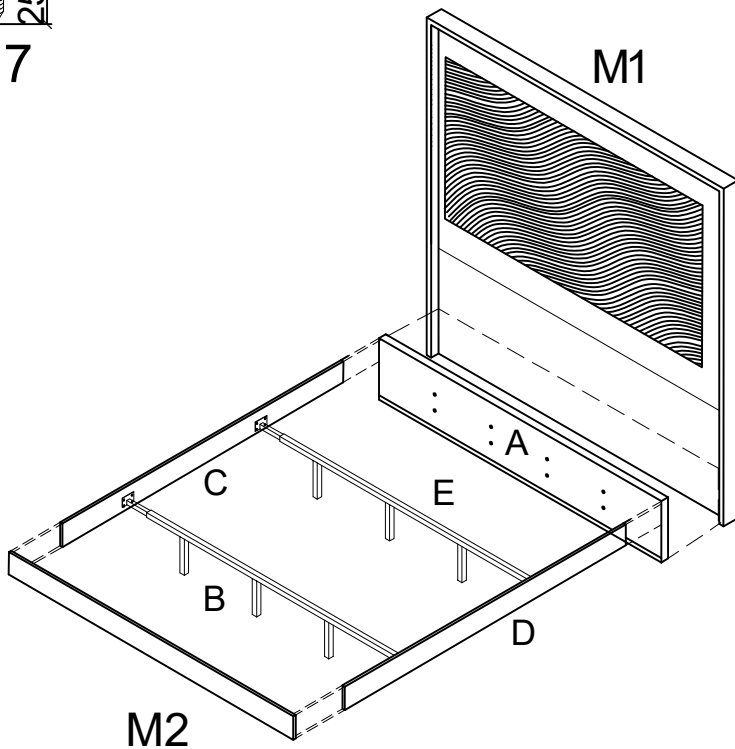
H7



G

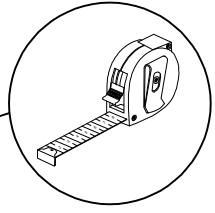
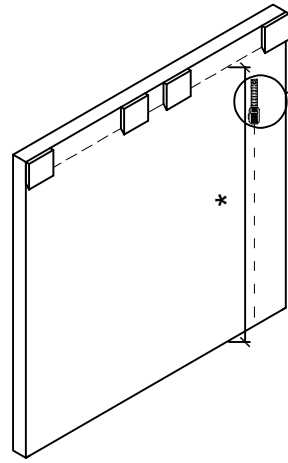
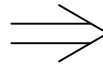
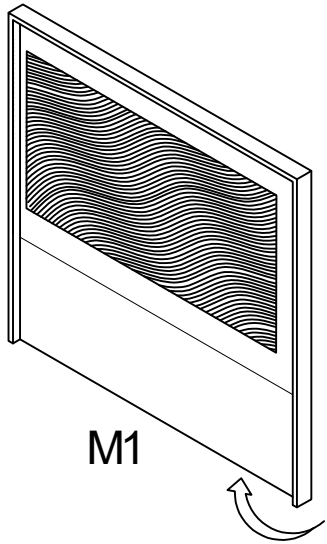


I

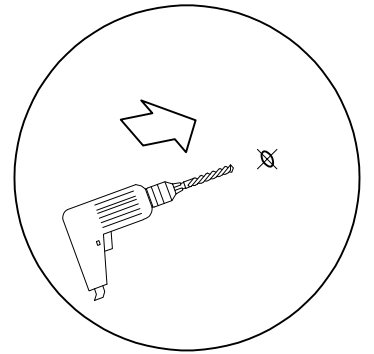
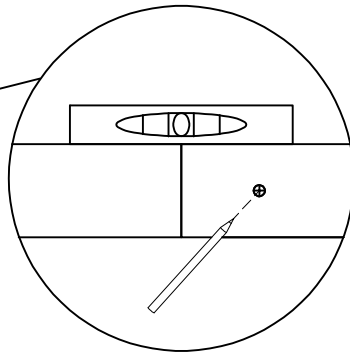
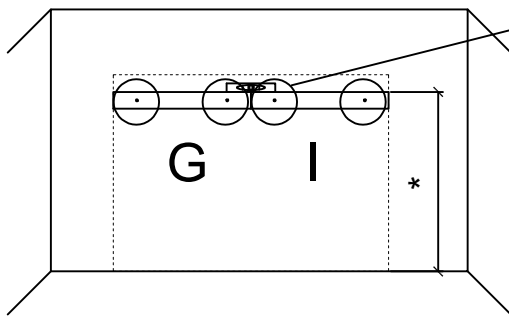


CHECK CORRECT OPERATION OF LIGHT BEFORE ASSEMBLY

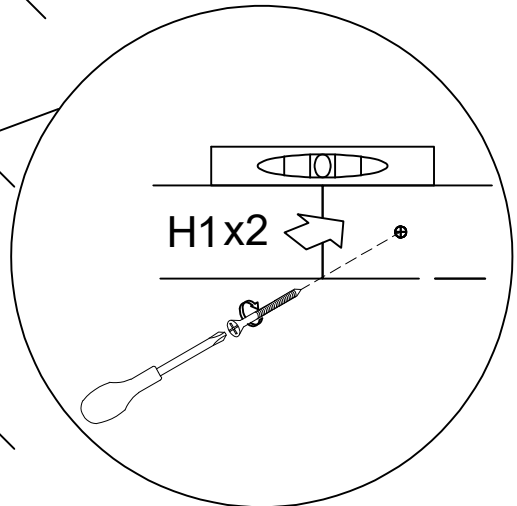
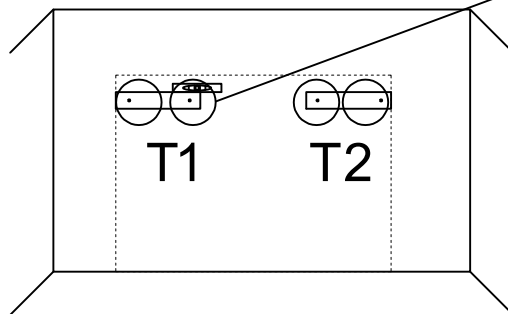
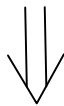
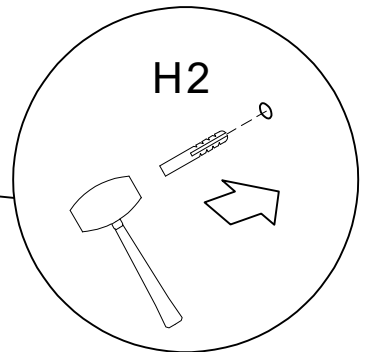
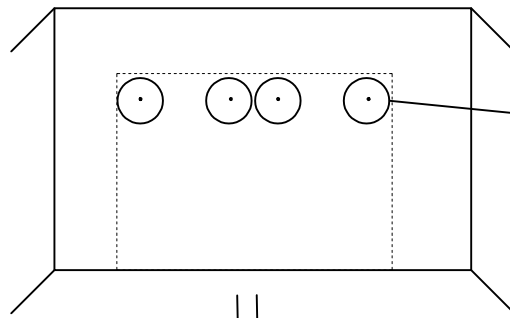
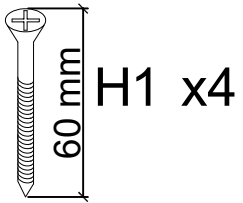
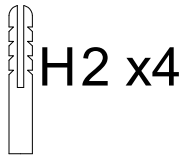
1



*Same distance/
misma distancia

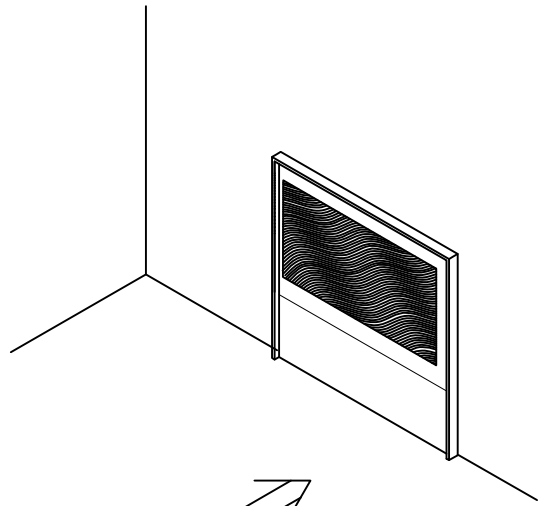
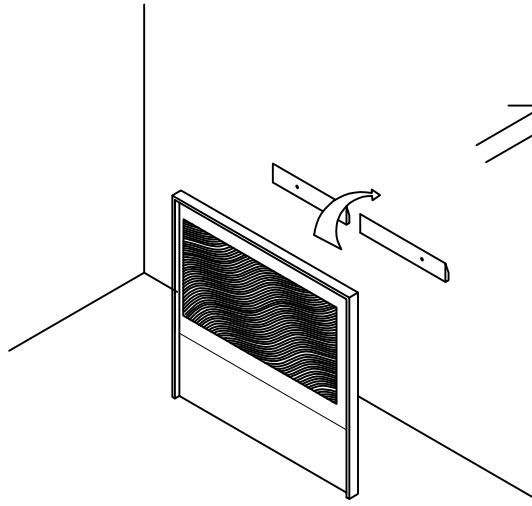
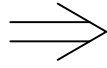
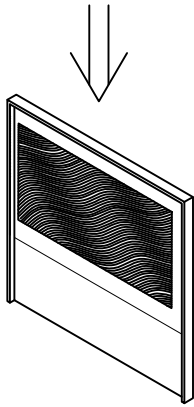
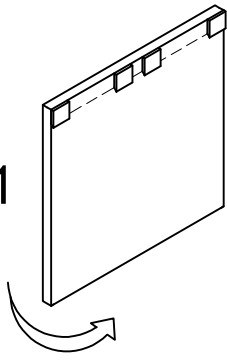


2



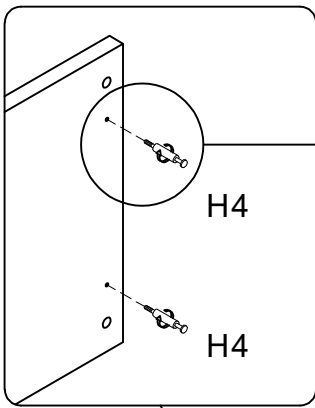
3

M1



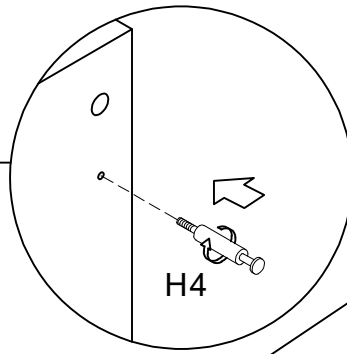
4

H4 x8

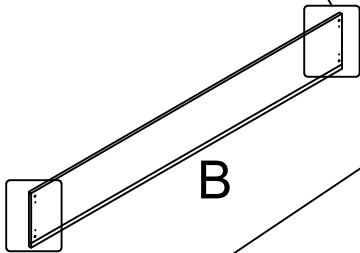


H4

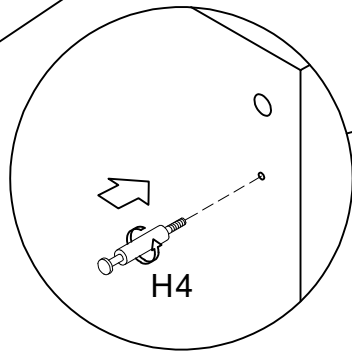
H4



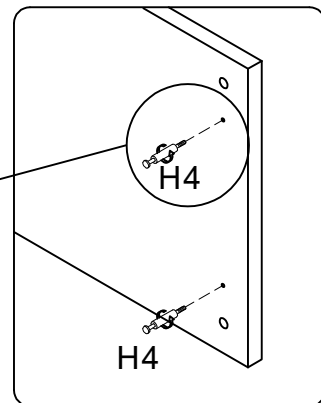
H4



B

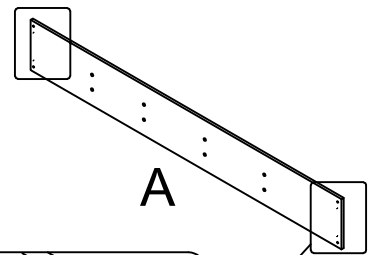


H4



H4

H4



A

5

