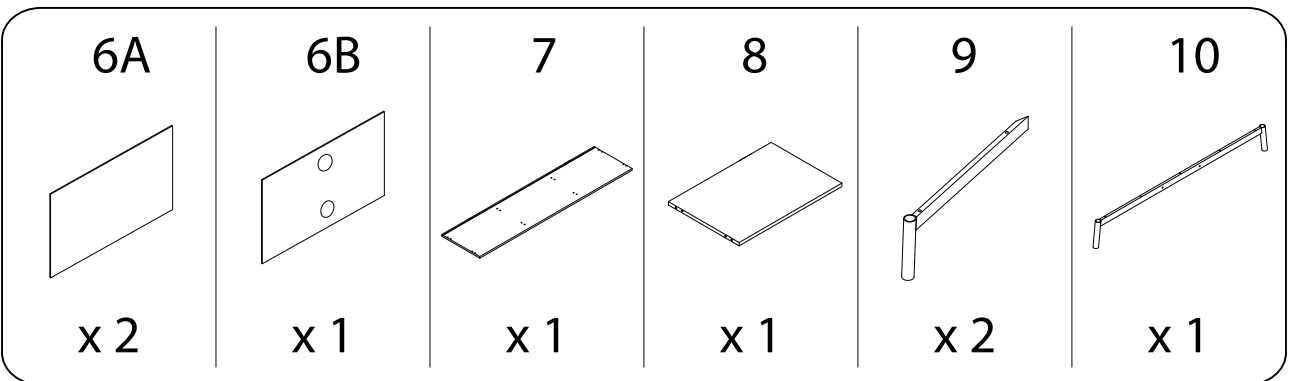
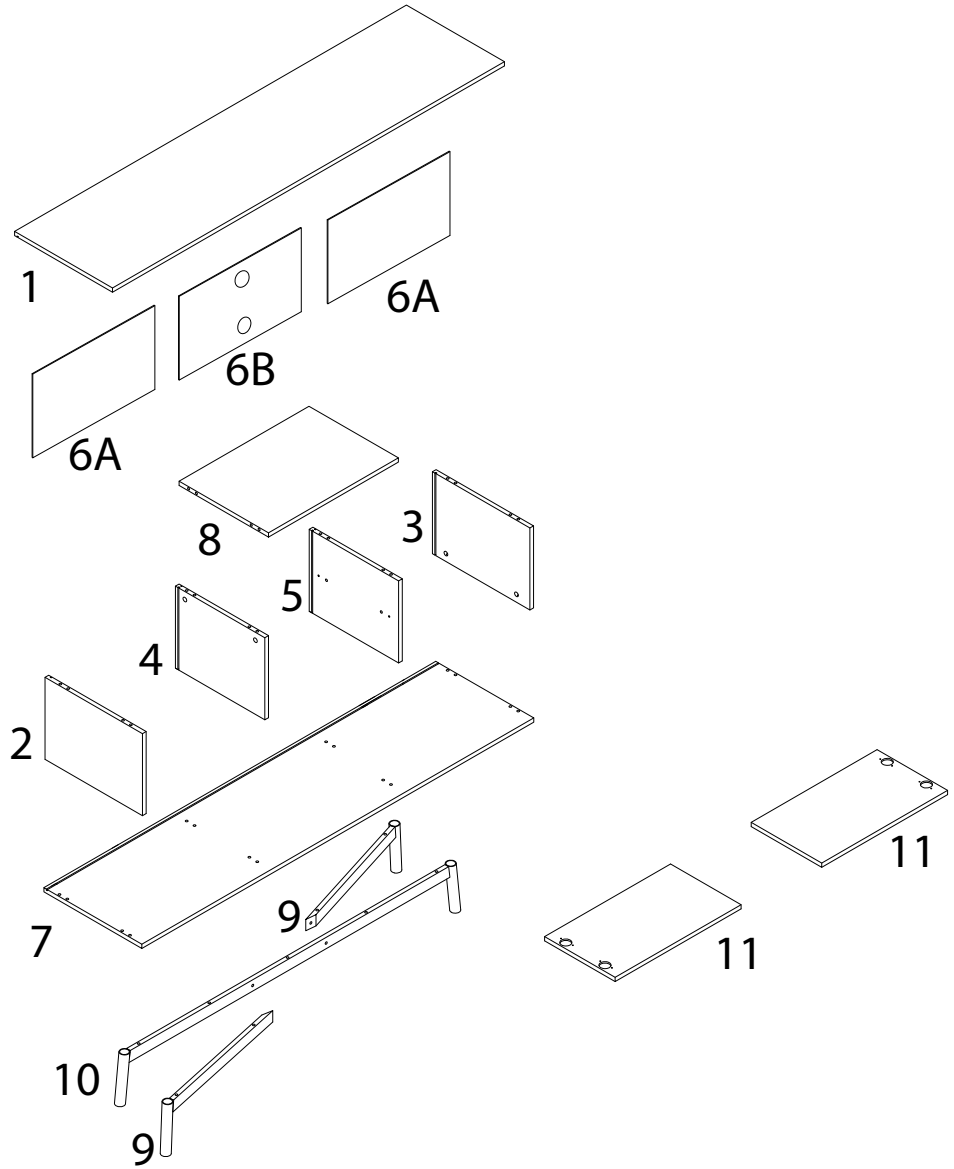
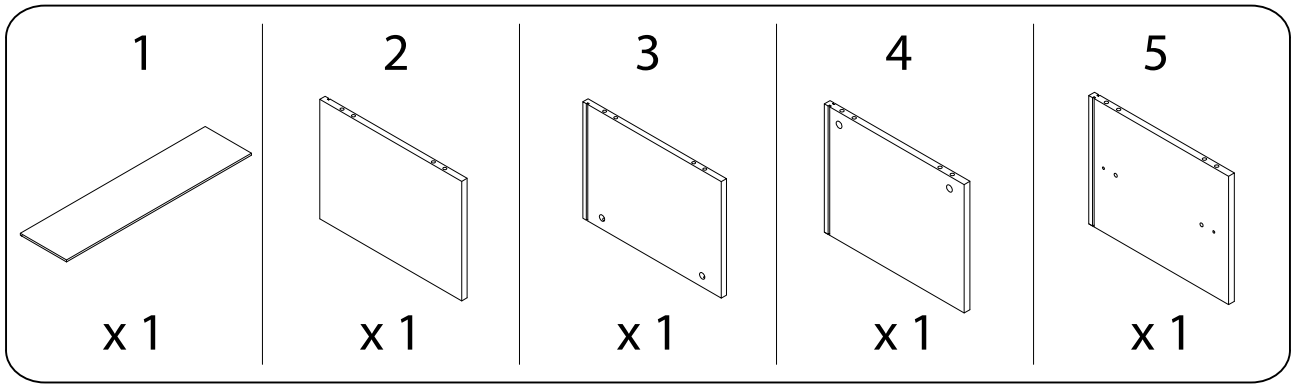
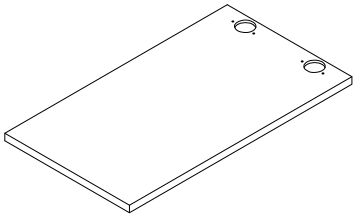
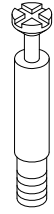
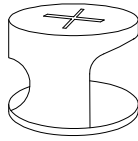
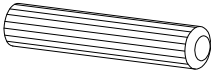
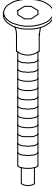
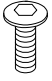
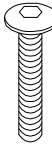
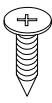
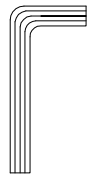
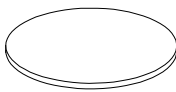
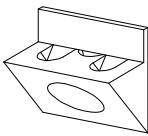
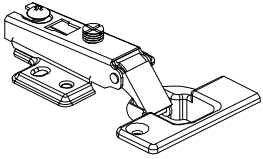


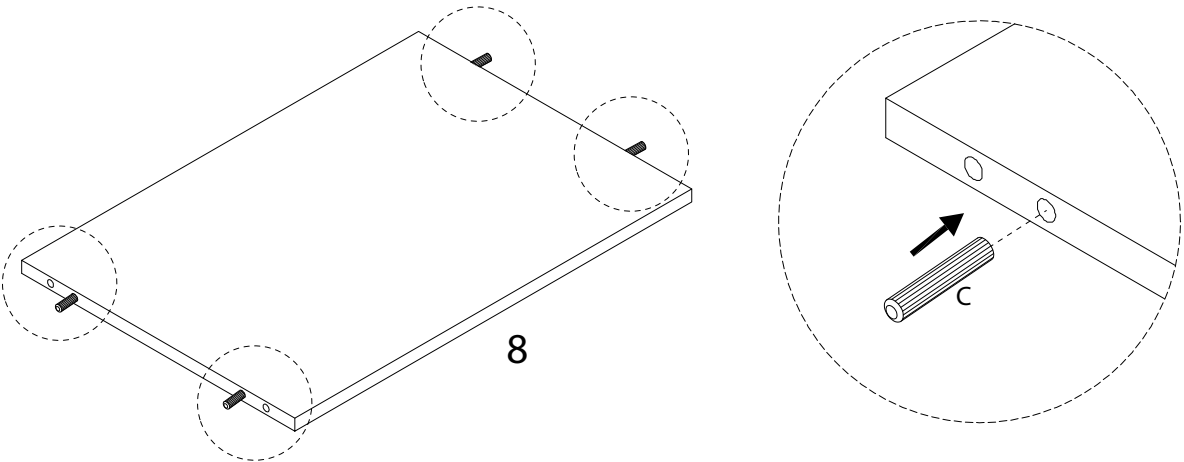
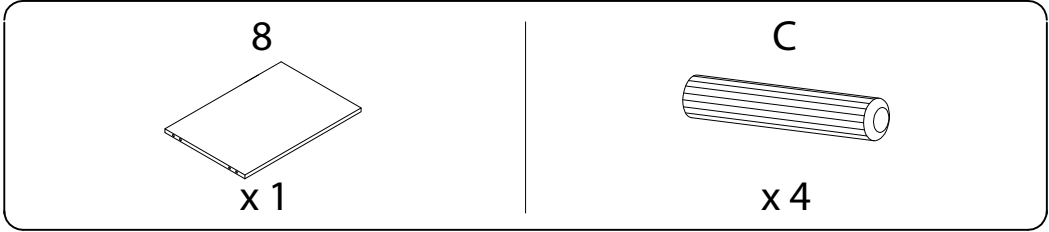
Assembly instructions for step 1/12:

- Tools:** A circle containing an L-shaped hex key and a screwdriver. A power drill is shown with a diagonal line through it, indicating it should not be used.
- Warning:** A triangle with an exclamation mark.
- Time:** A clock icon with the text "30'" below it, indicating a 30-minute assembly time.
- Personnel:** A stick figure icon with the number "2" below it, indicating that two people are required for assembly.
- Diagram:** A circle containing a 3D perspective drawing of a rectangular block being placed on a textured surface. A second drawing shows the block being tilted, with a diagonal line through it, indicating that the block should be placed flat and not tilted.

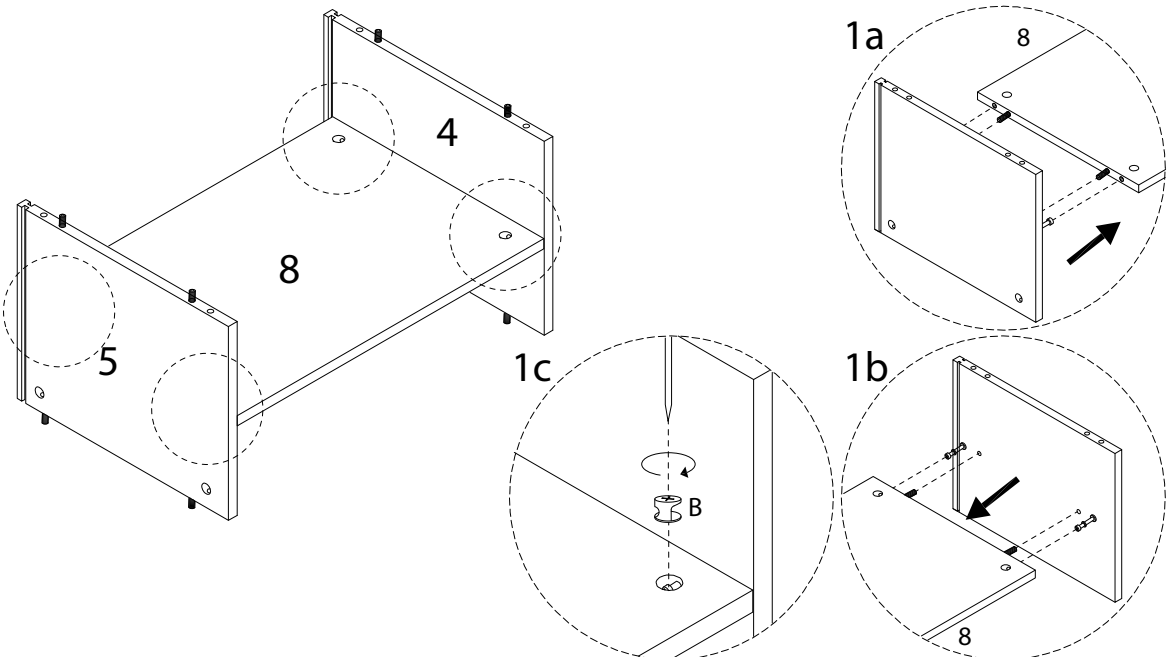
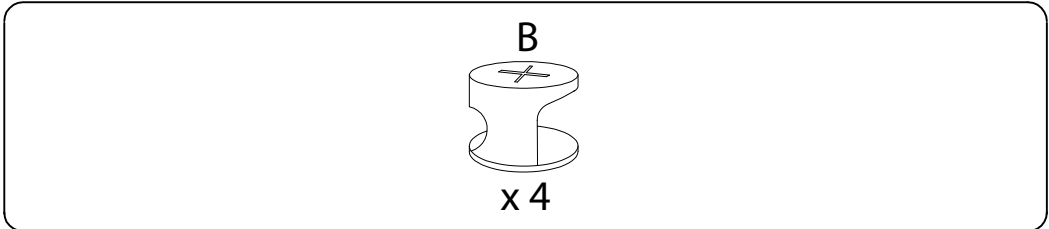


<p>11</p>  <p>x 2</p>	<p>A</p>  <p>x 12</p>	<p>B</p>  <p>x 12</p>
<p>C</p>  <p>x 20</p>	<p>D</p>  <p>M7 x 50</p> <p>x 8</p>	<p>E</p>  <p>M6 x 25</p> <p>x 2</p>
<p>F</p>  <p>M6 x 50</p> <p>x 9</p>	<p>G</p>  <p>M3.5 x 14</p> <p>x 36</p>	<p>H</p>  <p>x 1</p>
<p>I</p>  <p>x 8</p>	<p>J</p>  <p>x 12</p>	<p>K</p>  <p>x 4</p>

3

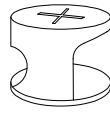


4

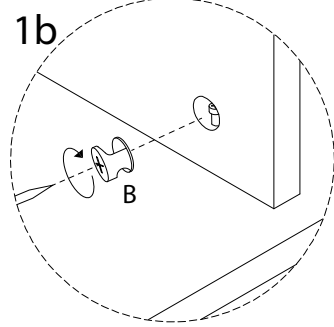
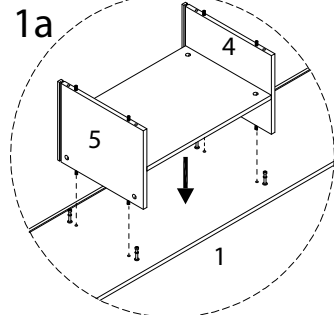
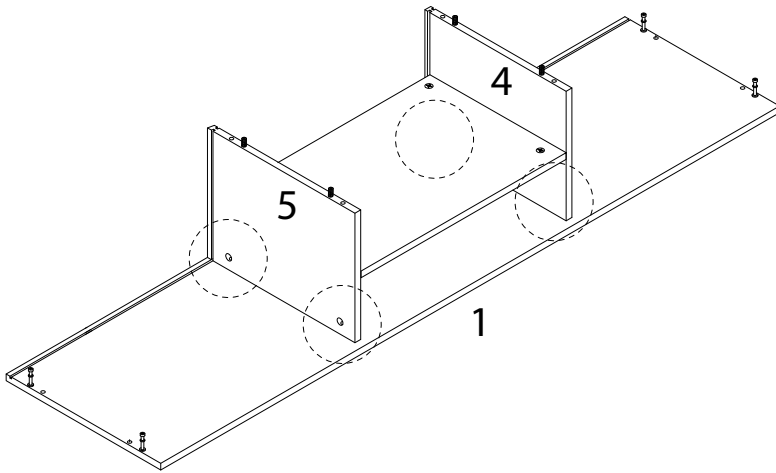


5

B

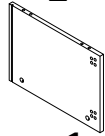


x 4



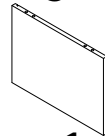
6

2



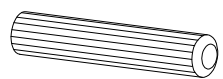
x 1

3

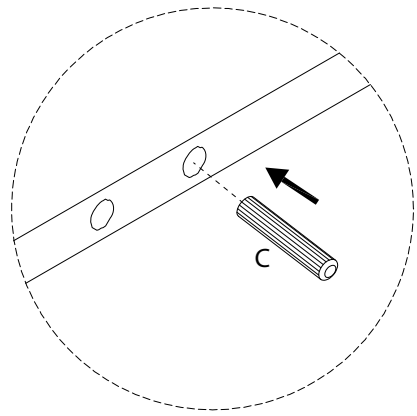
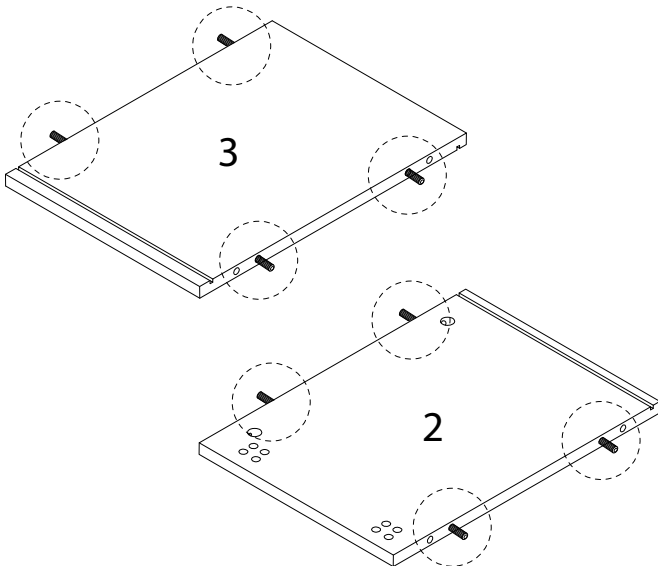


x 1

C

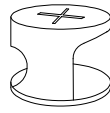


x 8

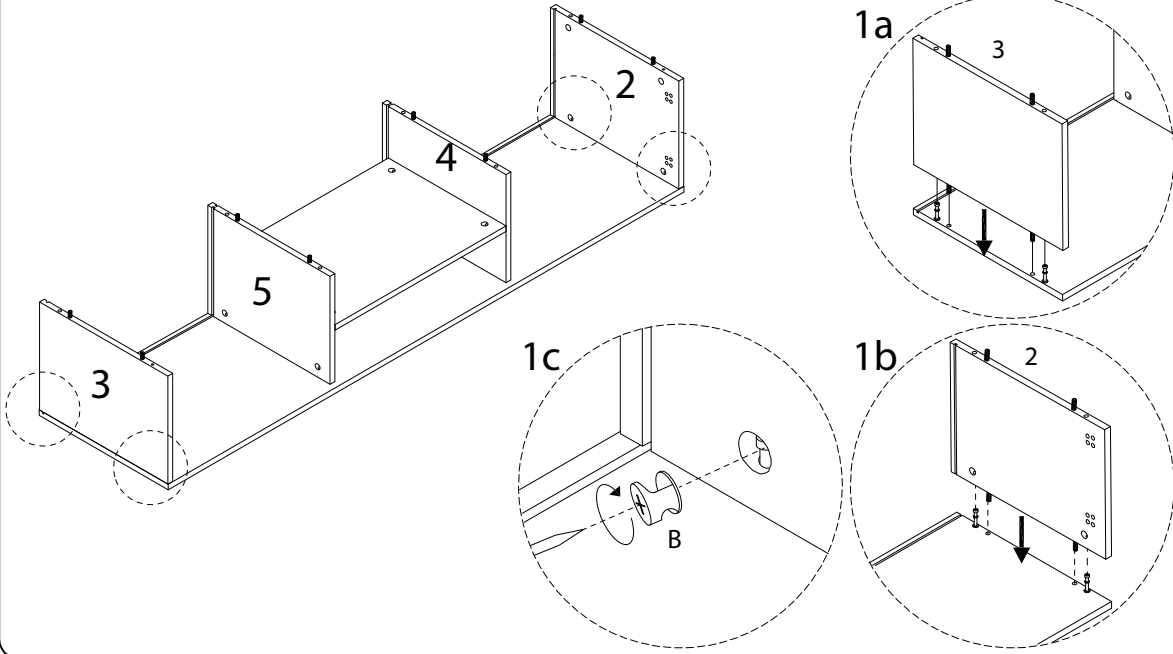


7

B



x 4

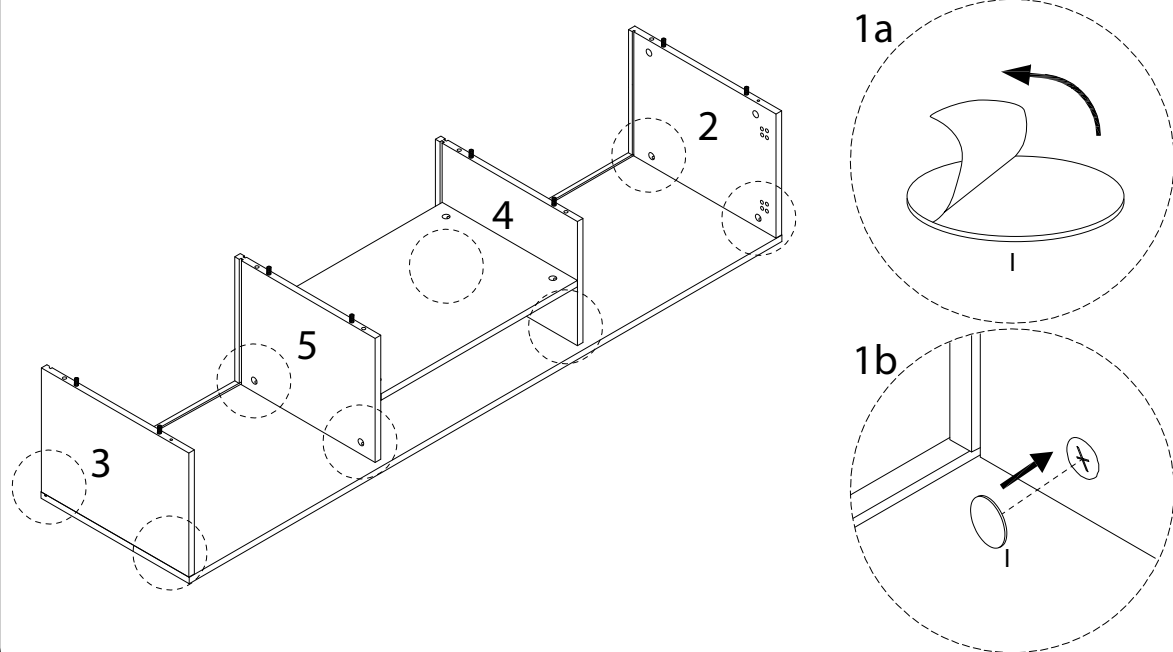


8

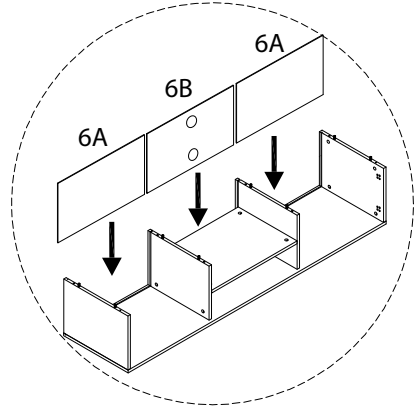
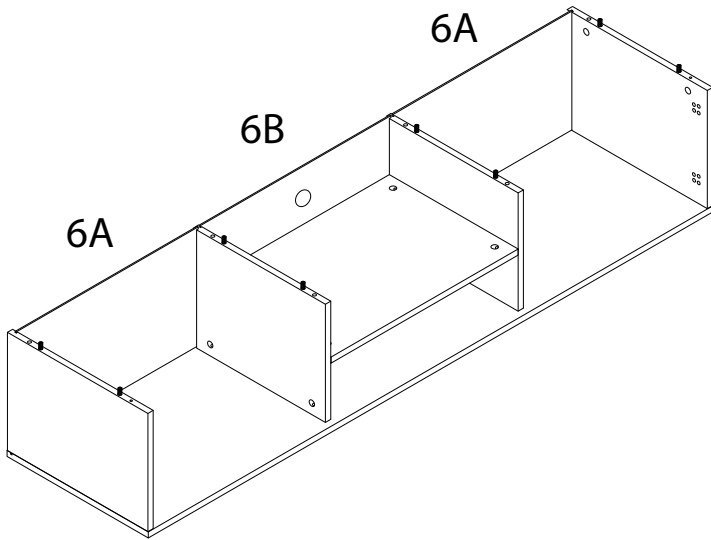
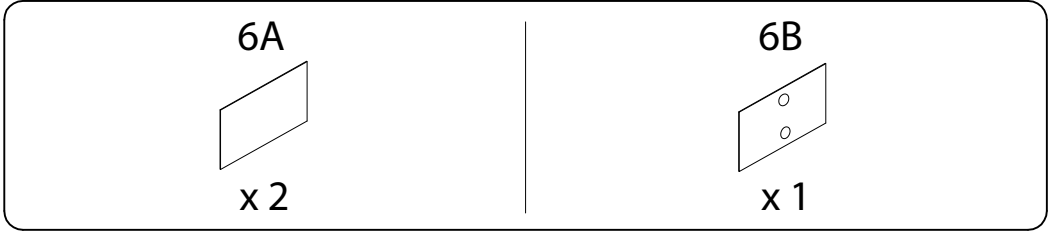
I



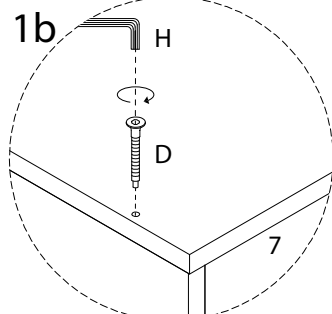
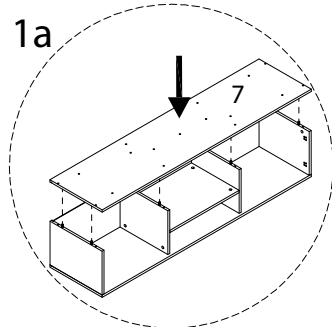
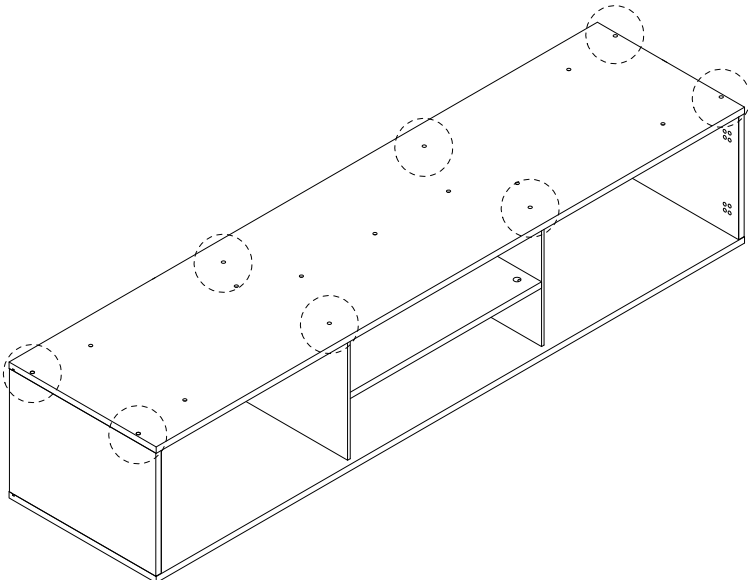
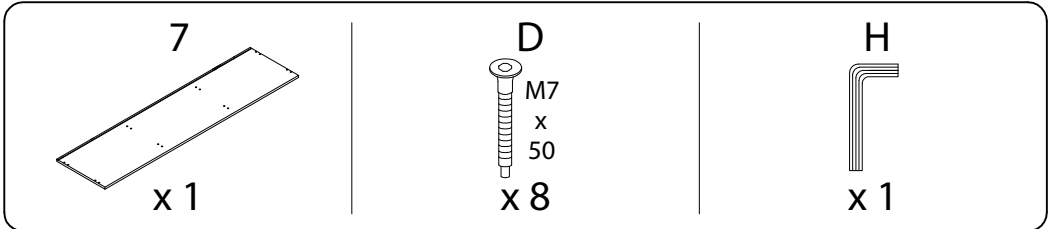
x 8



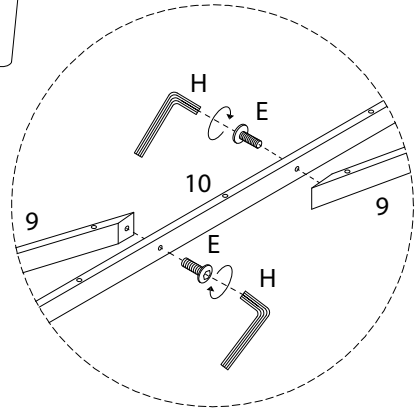
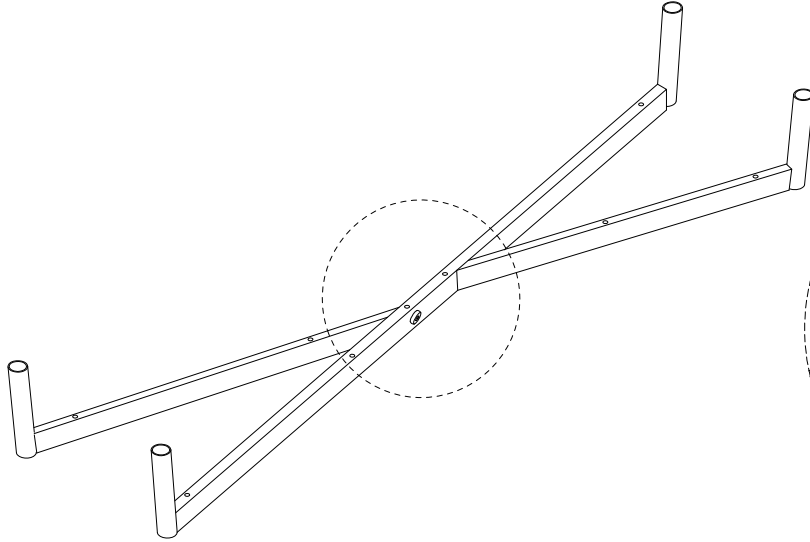
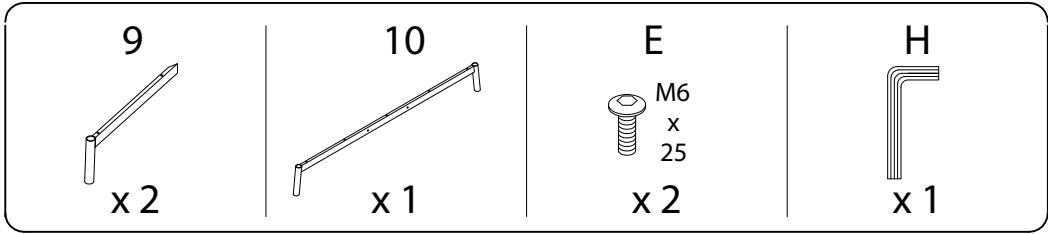
9



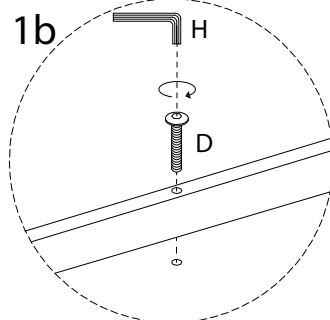
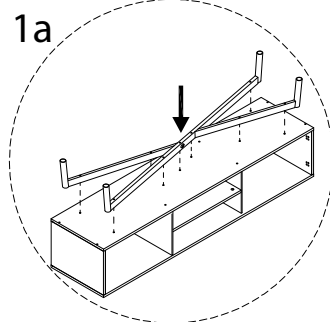
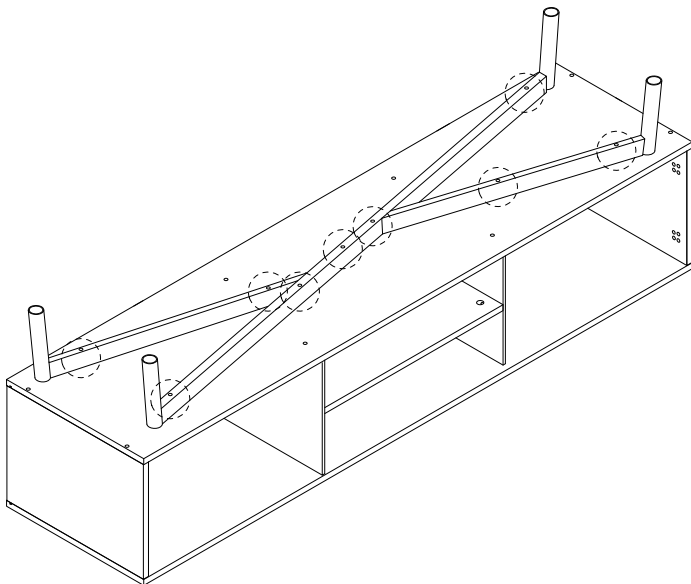
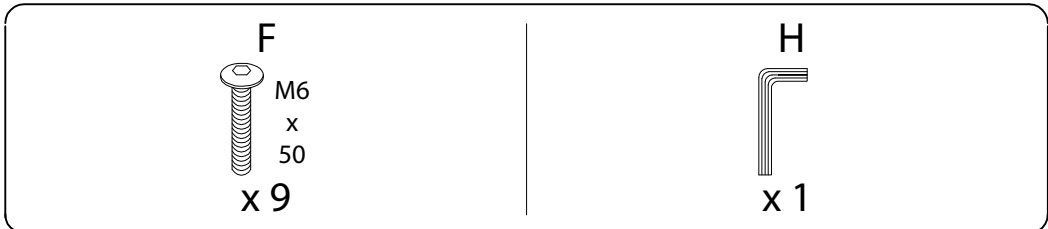
10



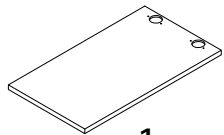
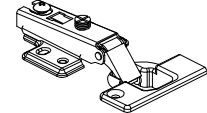

11

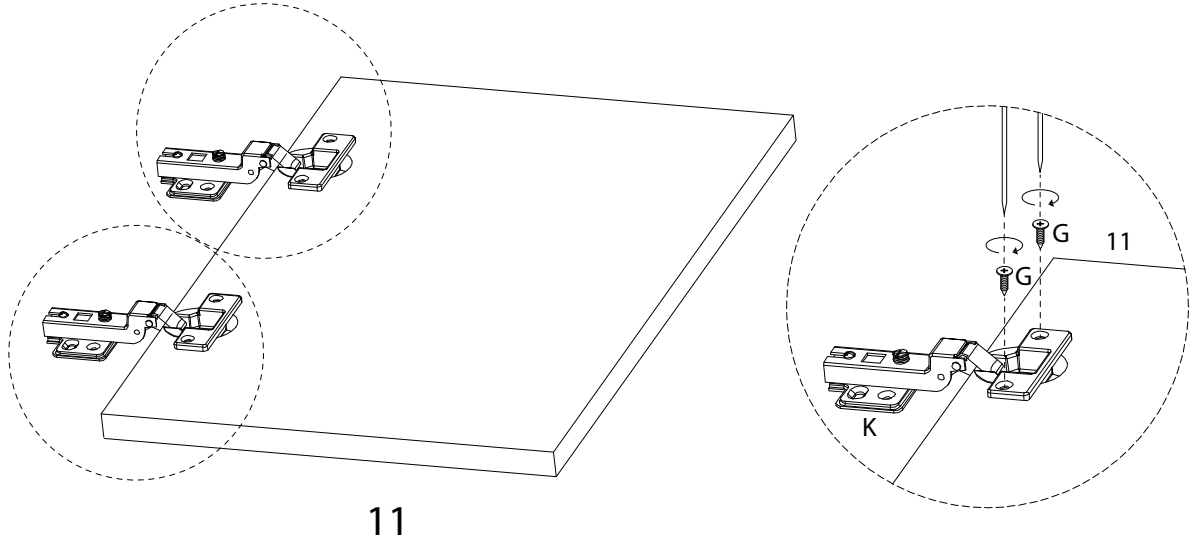


12




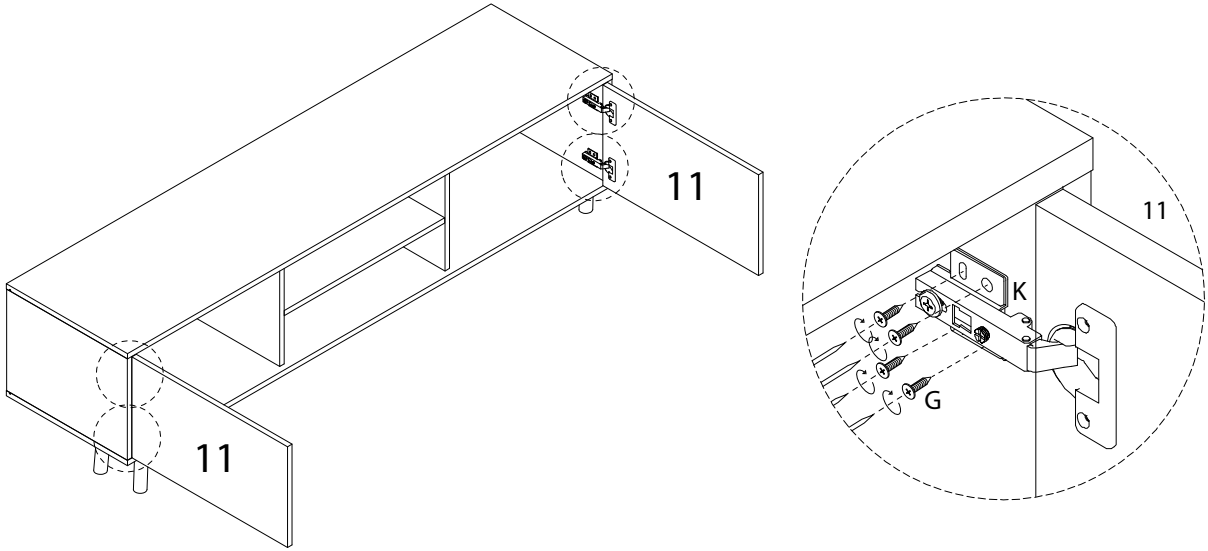
13 x 2

<p>11</p>  <p>x 1</p>	<p>K</p>  <p>x 2</p>	<p>G</p>  <p>M3.5 x 14</p> <p>x 4</p>
--	--	--

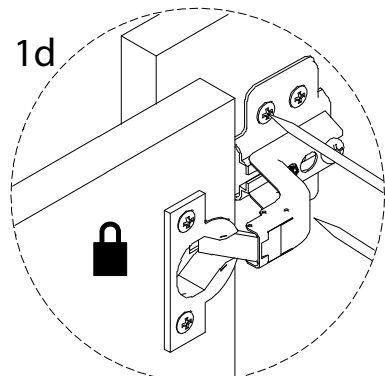
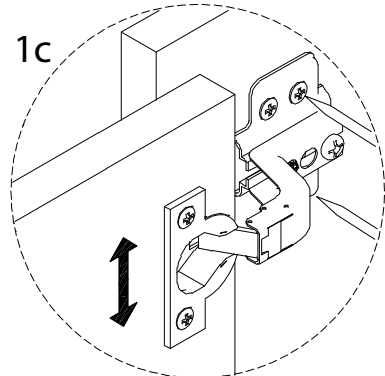
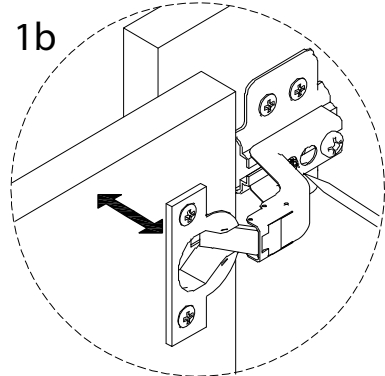
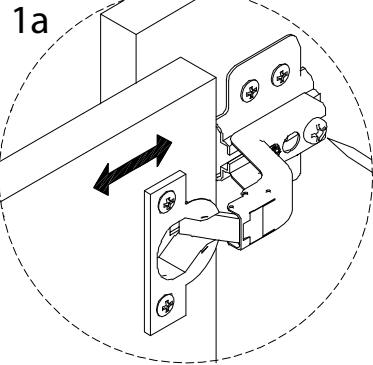
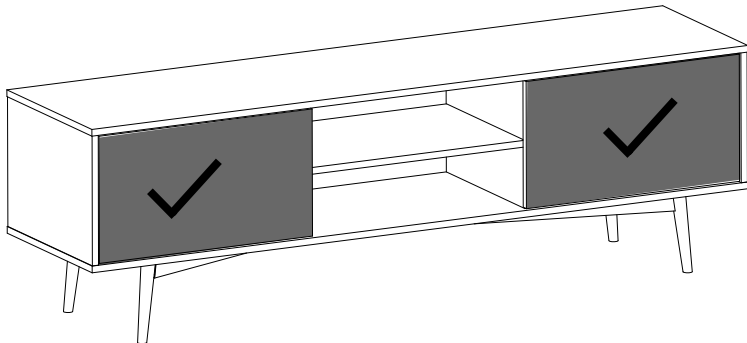
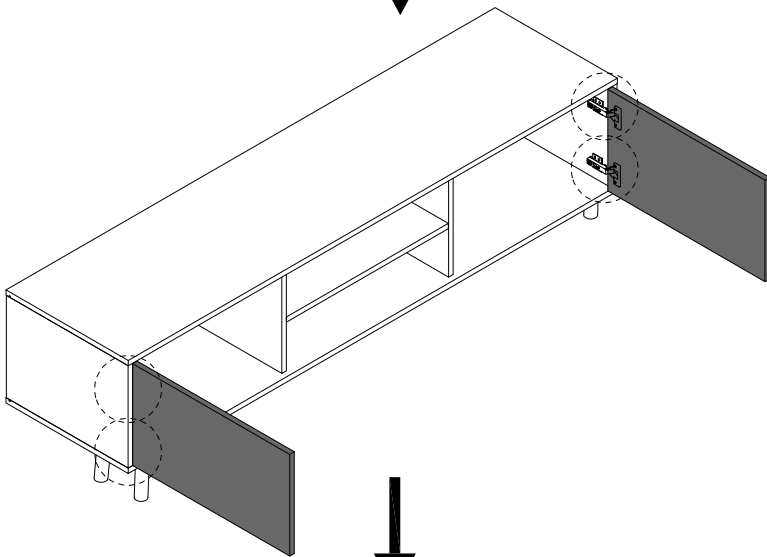
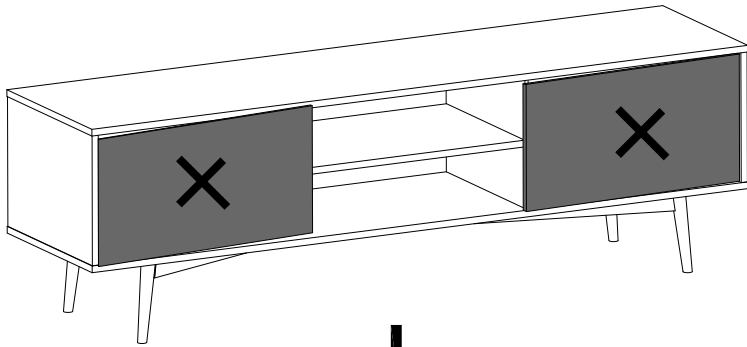


14

<p>G</p>  <p>M3.5 x 14</p> <p>x 16</p>

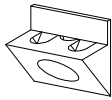


!



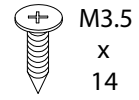
15

J



x 12

G



x 12

