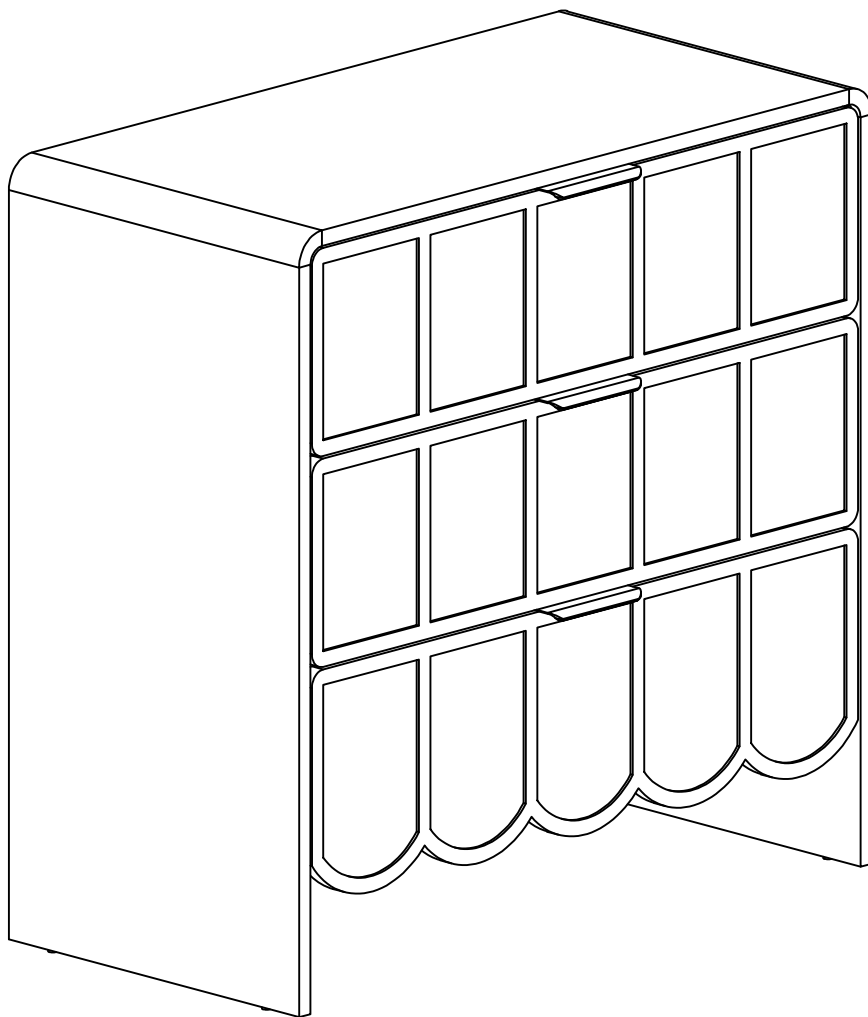
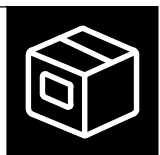
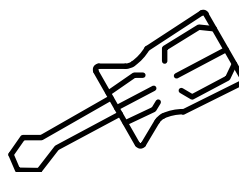
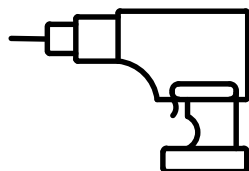
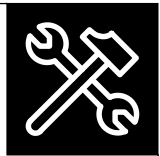
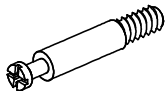

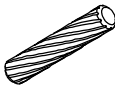

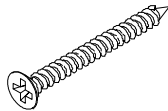
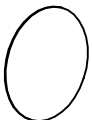
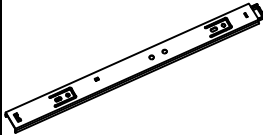

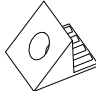
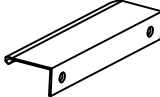
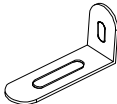

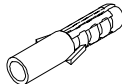
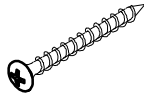
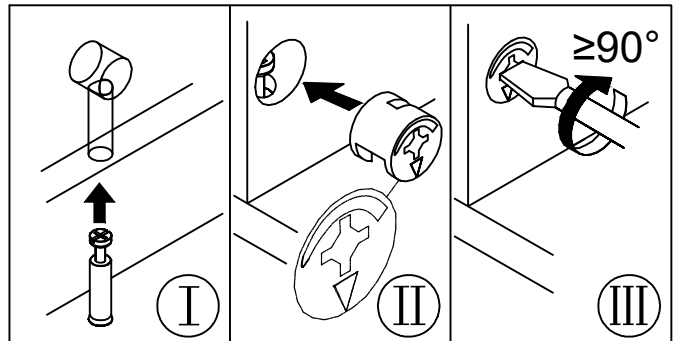
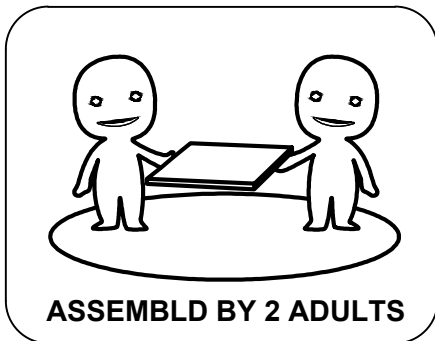
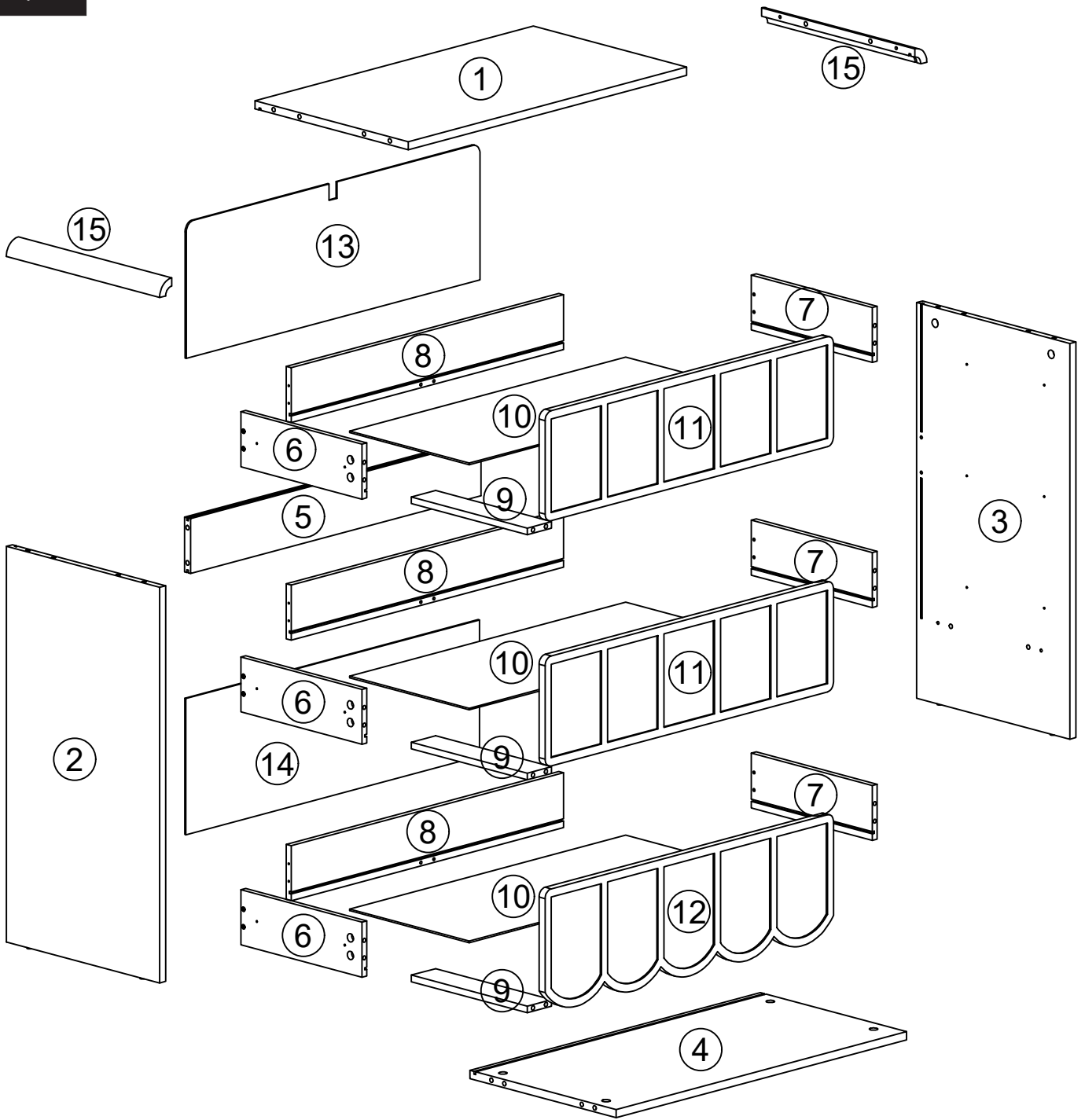


INSTALLATION & ASSEMBLY

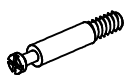




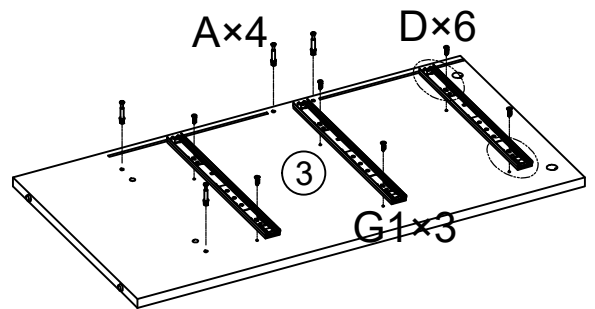
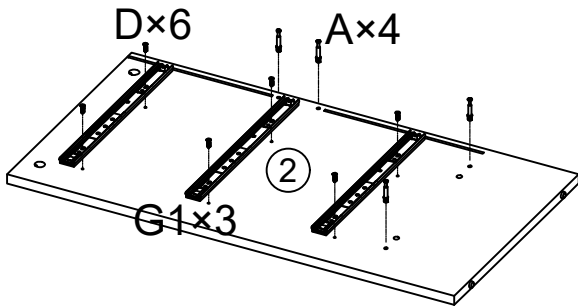
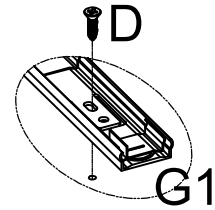
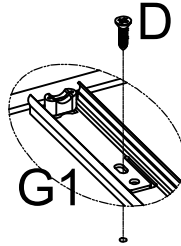
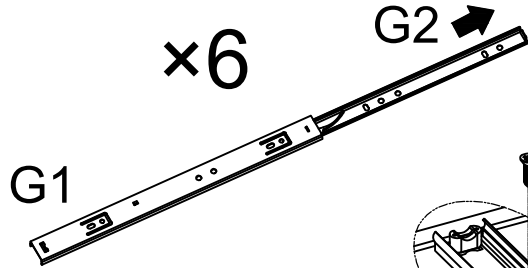
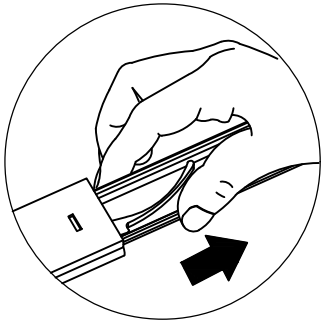


A×34PCS	B×16PCS	C×12PCS	D×37PCS	E×18PCS
 M6×35mm	 Ø15×12mm	 Ø8×30mm	 Ø3.5×14mm	 Ø4×35mm
F×34PCS	G×6PCS	H×18PCS	I×7PCS	J×3PCS
	 Ø15×9.3mm	 Ø15×9.3mm		
K×1PC	L×1PC	M×1PC	N×1PC	
	 Ø4×14mm	 Ø6×30mm	 Ø4×35mm	





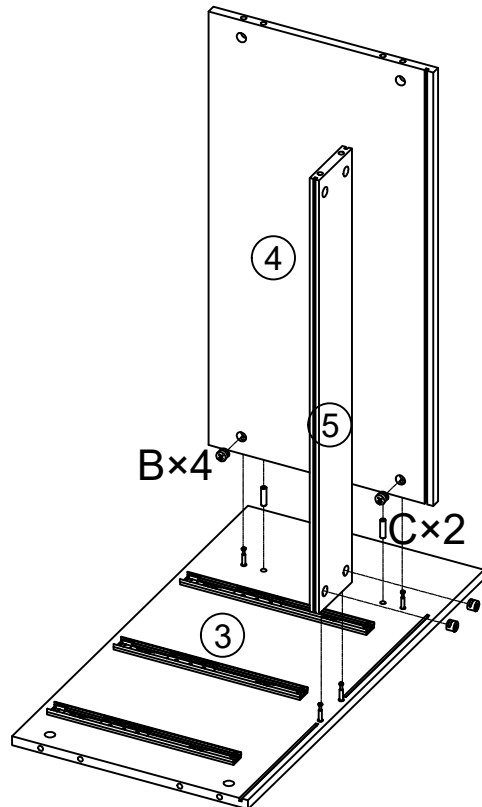
1.

A×8PCS	D×12PCS	G1×6PCS
		
M6×35mm	Ø3.5×14mm	

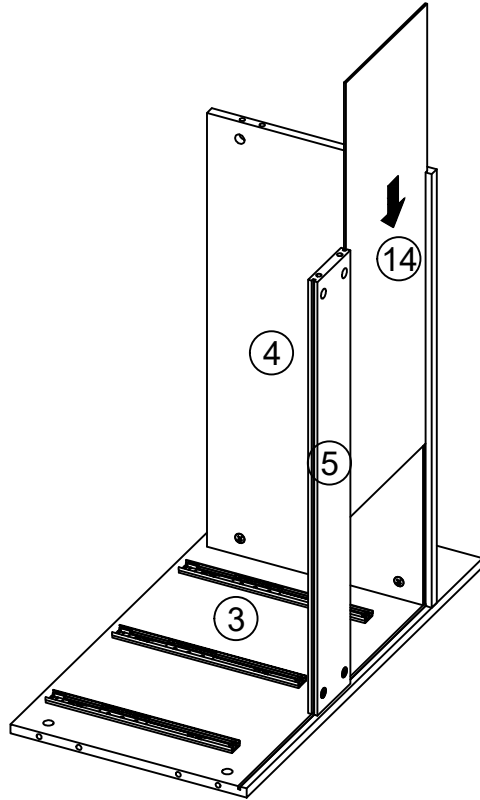




2.

B×4PCS	C×2PCS
	
Ø15×12mm	Ø8×30mm

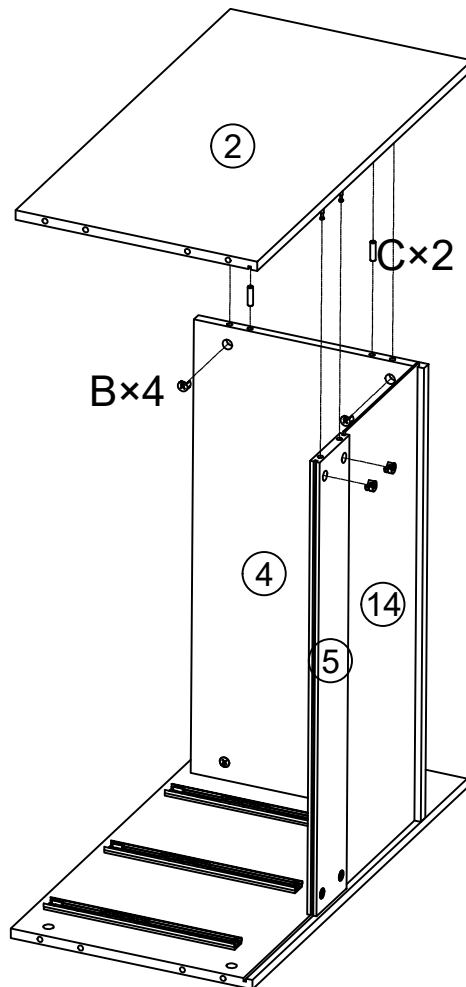


3.

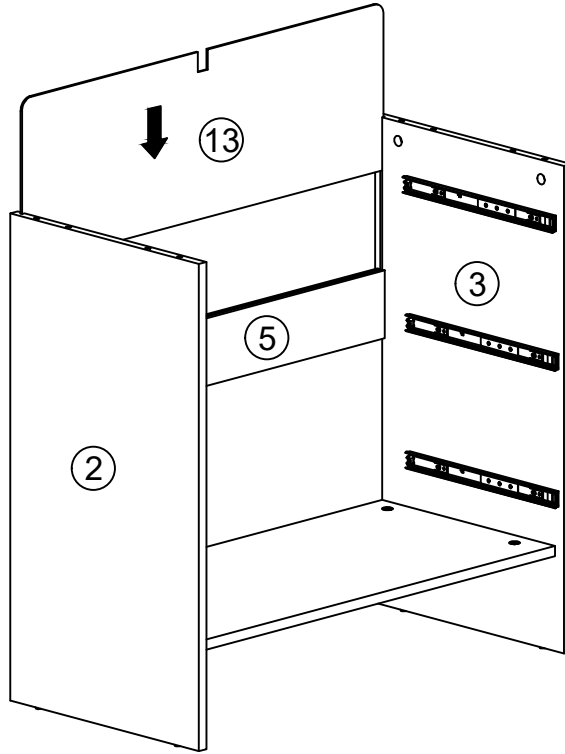


B×4PCS	C×2PCS
	
Ø15×12mm	Ø8×30mm

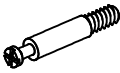




4.

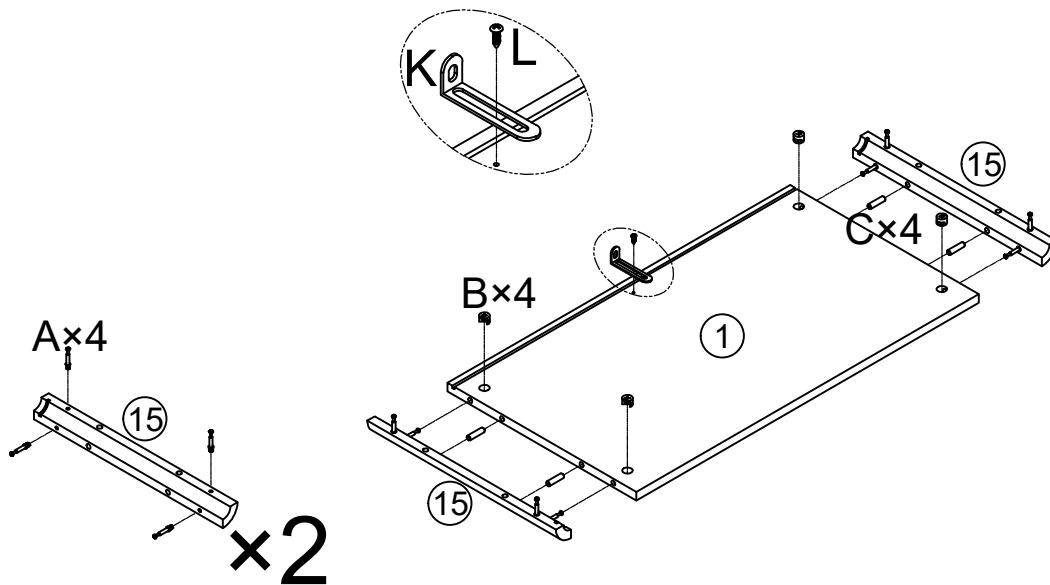


5.





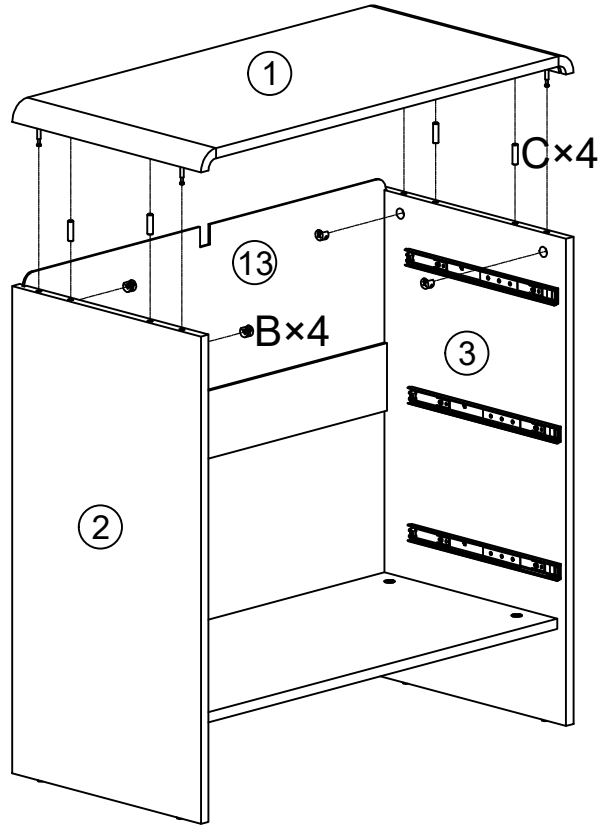
6.

A×8PCS	B×4PCS	C×4PCS	K×1PC	L×1PC
				
M6×35mm	Ø15×12mm	Ø8×30mm		Ø4×14mm


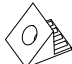


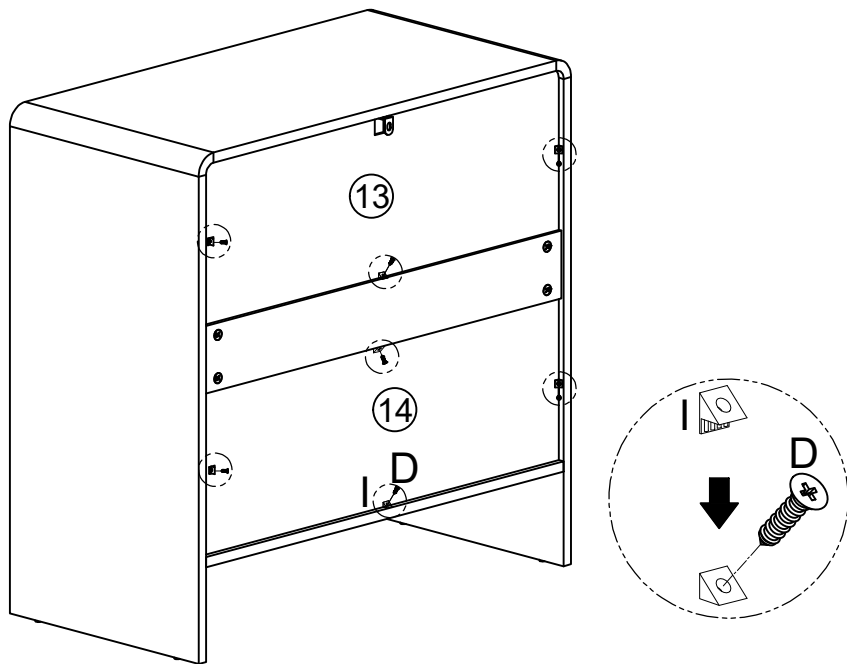
7.

B×4PCS	C×4PCS
	
Ø15×12mm	Ø8×30mm

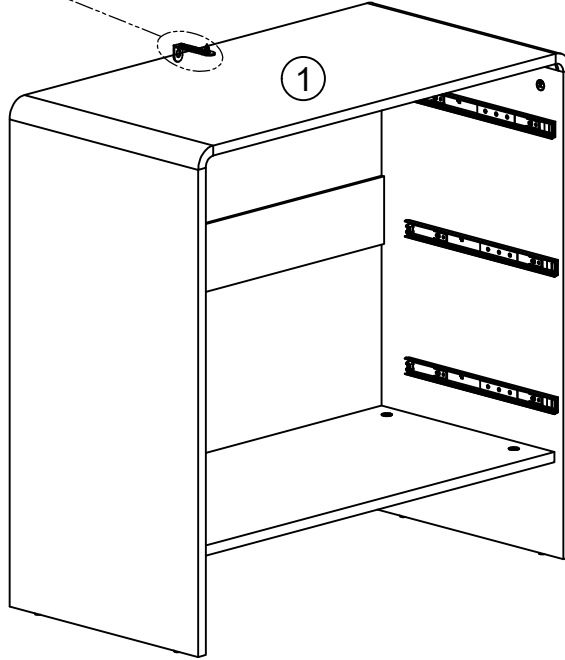
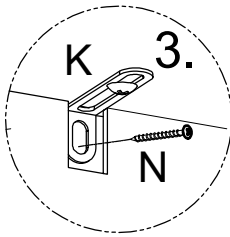
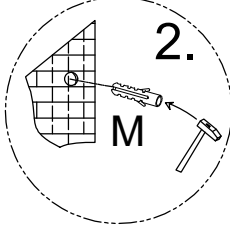
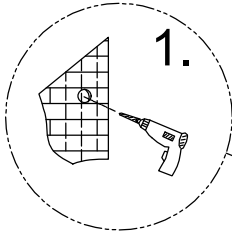


8.

D×7PCS	I×7PCS
	
Ø3.5×14mm	



9.



M×1PC



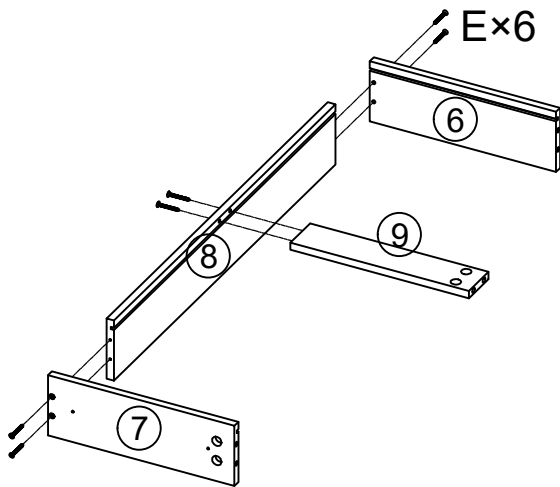
Ø6×30mm

N×1PC



Ø4×35mm

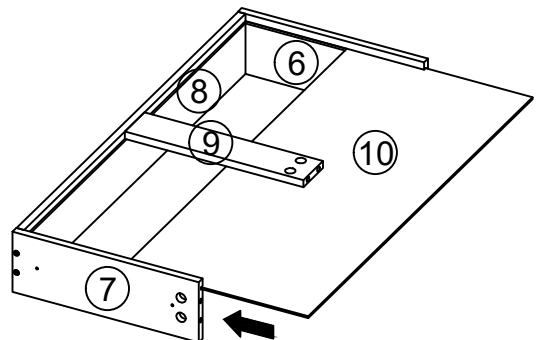
10.





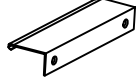
E×18PCS



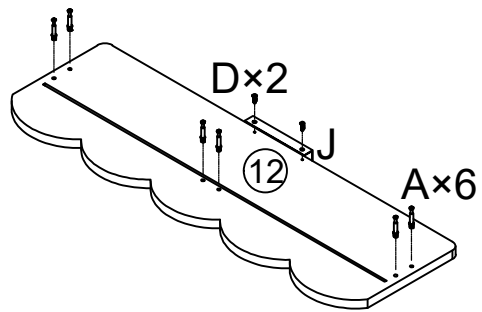
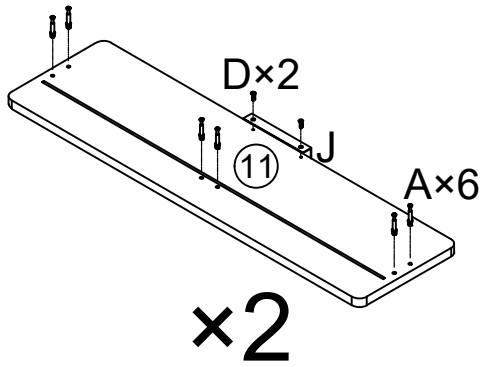
Ø4×35mm





×3

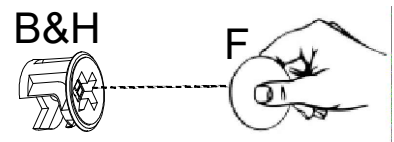
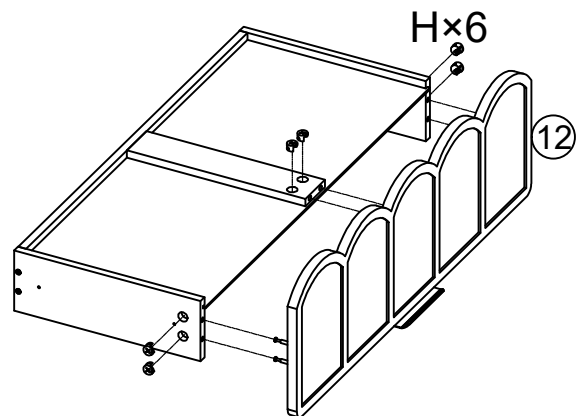
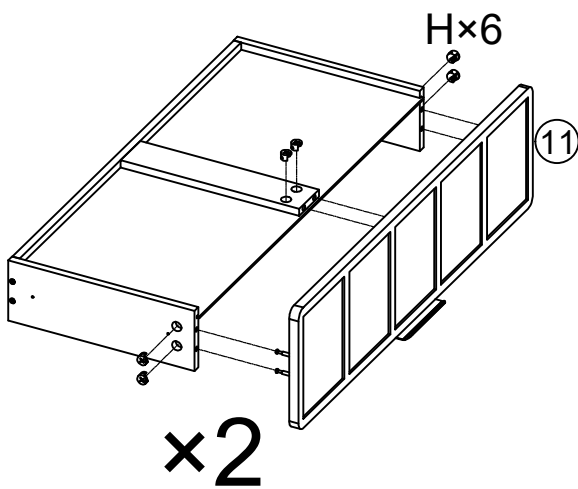
A×18PCS	D×6PCS	J×3PCS
		
M6×35mm	Ø3.5×14mm	

11.





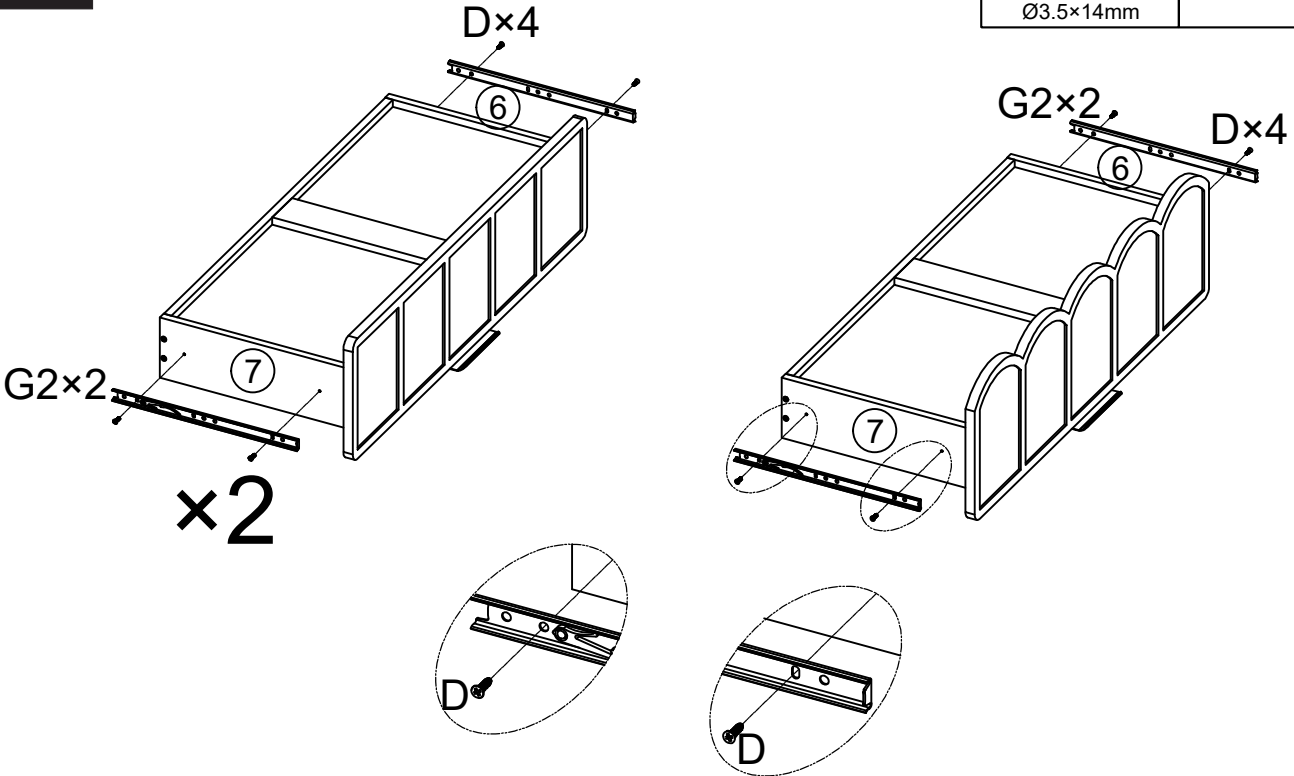
F×34PCS	H×18PCS
	
	Ø15×9.3mm

12.



13.

D×12PCS	G2×6PCS
	
Ø3.5×14mm	



14.

