











Installation

Hardware List		Hardware List	
 Table top	1	 Table leg	1
 Connecting plate	1	 8x16 mm screws and washers	8
 Bottom fixing plate	1	 Hexagonal screw tap	1
 8x30 mm screws washers	16	 Adjustable feet	4

1





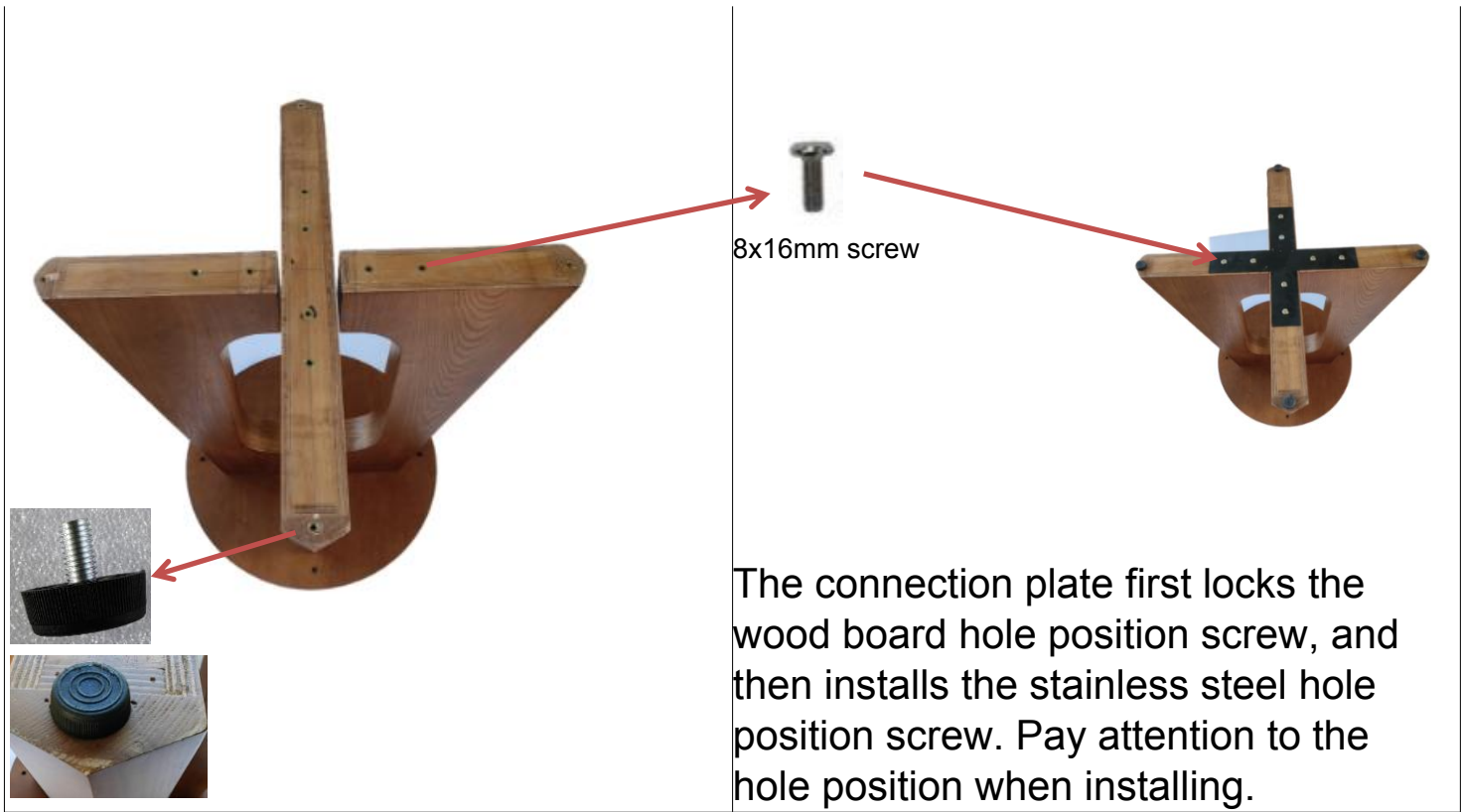
2



8x30mm screw

Align the connecting plate with the base hole position, install it with 8*30 screws, and tighten all screws after installation.



8x16mm screw

The connection plate first locks the wood board hole position screw, and then installs the stainless steel hole position screw. Pay attention to the hole position when installing.



8x30mm screw

The base and the desktop are installed with 8 * 30 screws. Note: hen installing, align the holes and then tighten the screws.