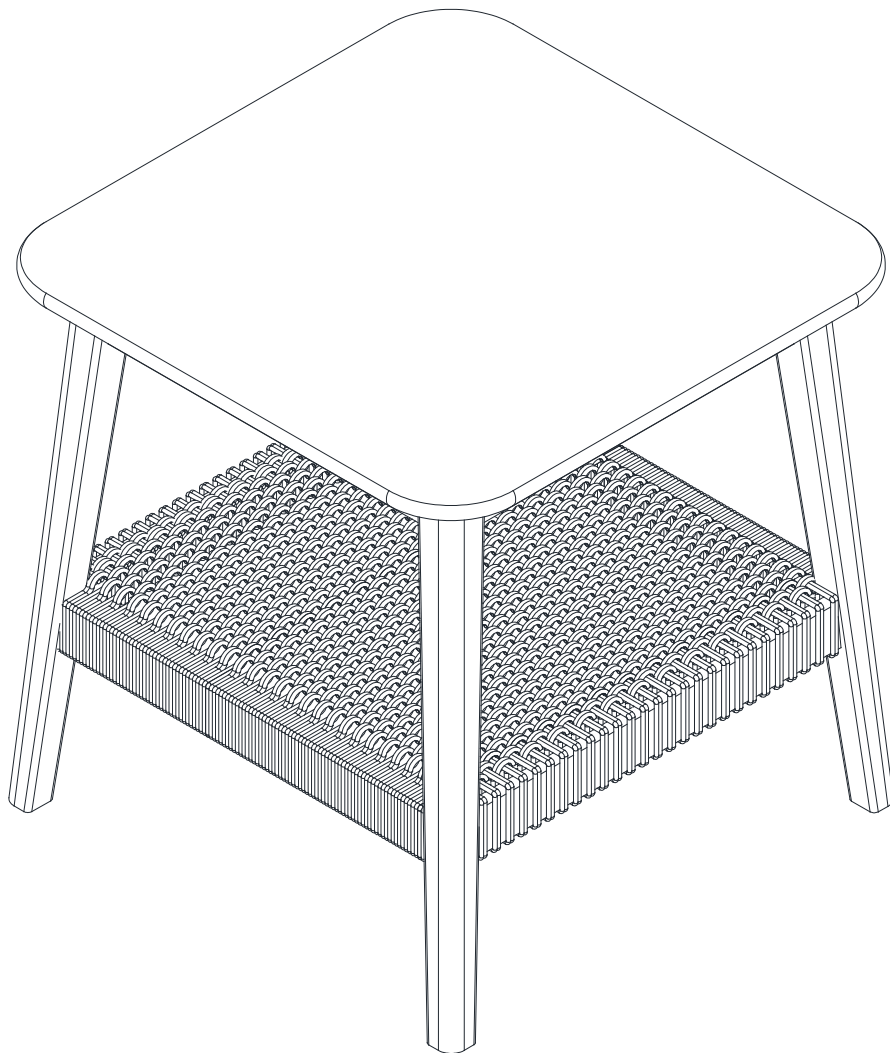


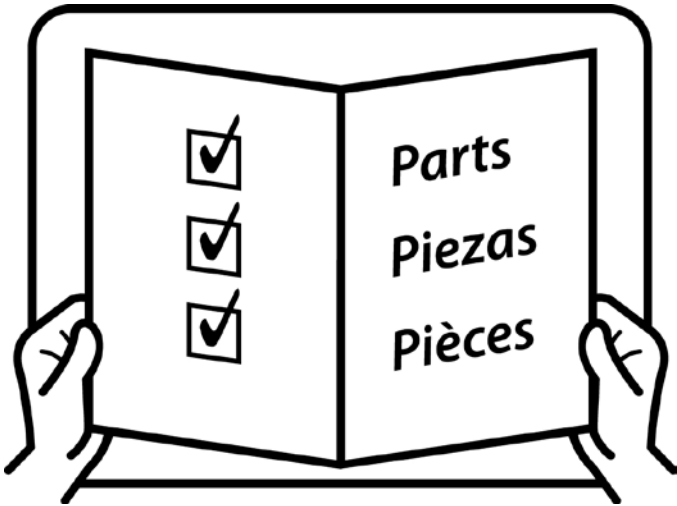
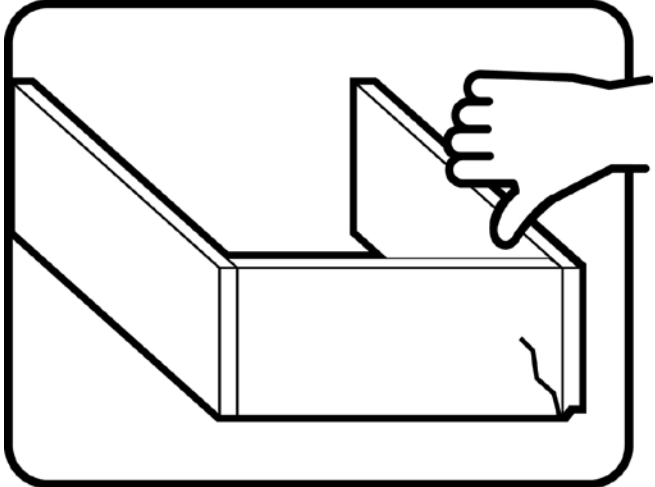
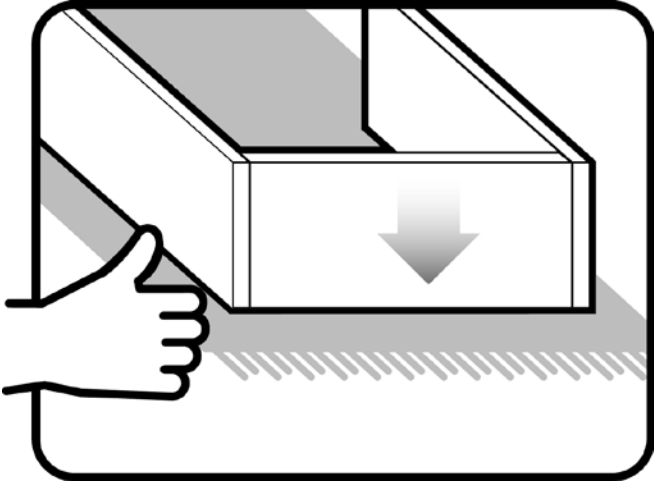
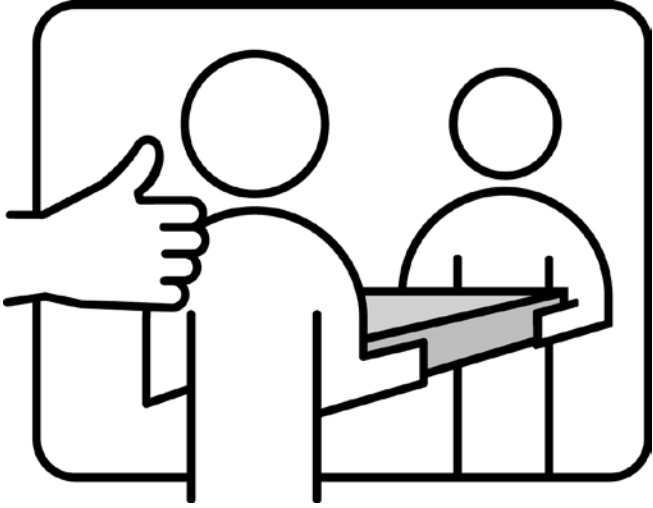
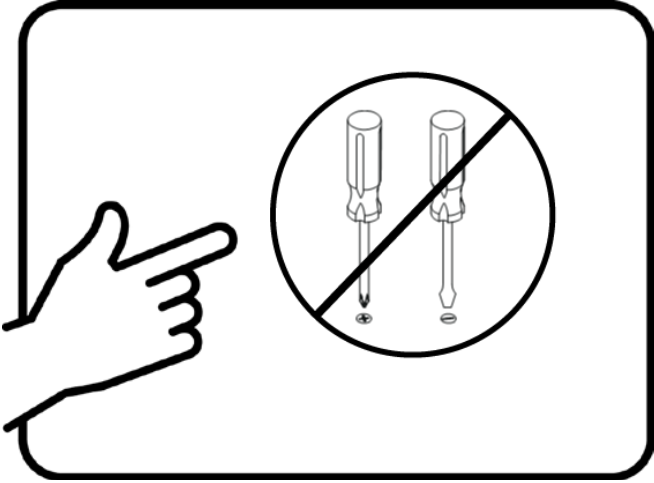
# Assembly | Asamblea | Assemblage



Product number | Número de producto | Numéro de produit

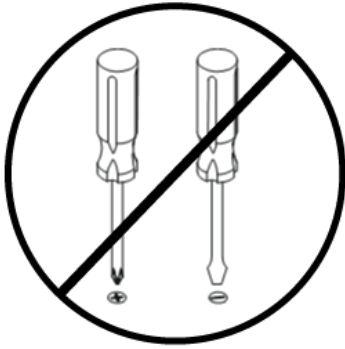
Thank you for your purchase! | ¡Gracias por tu compra! | Merci pour votre achat!

# Assembly | Asamblea | Assemblage



# Assembly | Asamblea | Assemblage

Techniques | Técnicas | Techniques



Care | Cuidado | Entretien



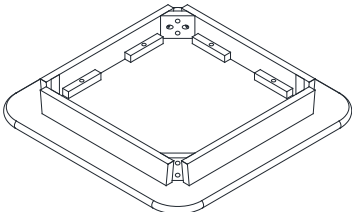
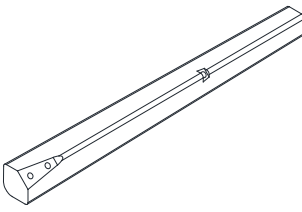
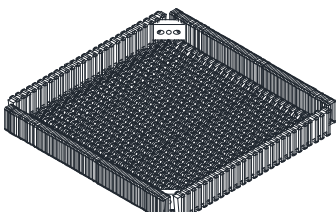
Safety | Seguridad | Sécurité

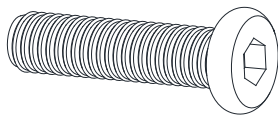
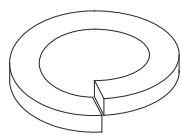
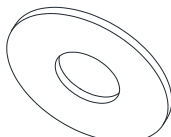
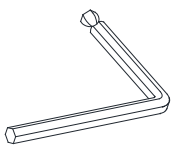


Note! | ¡Nota! | Remarque!



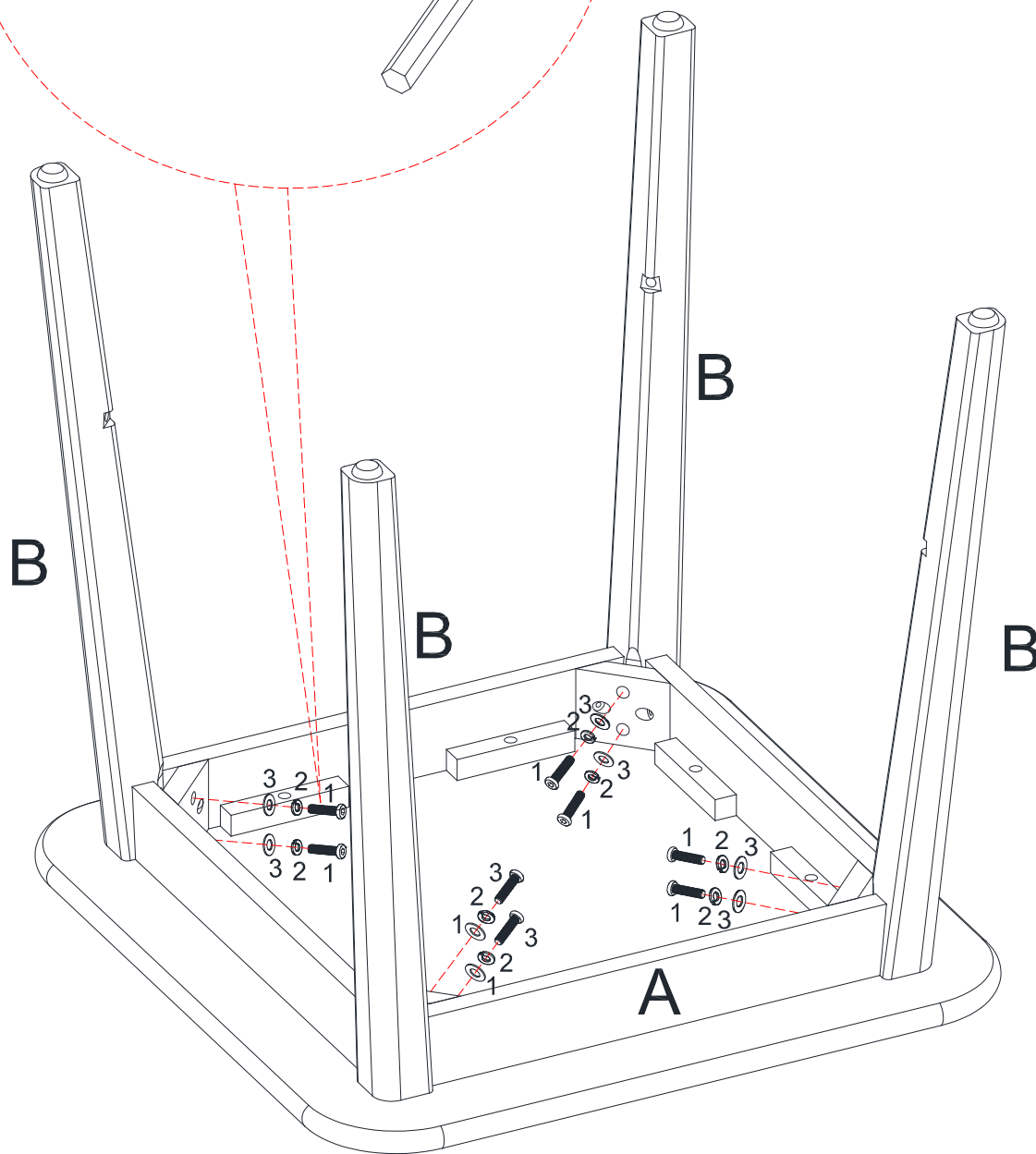
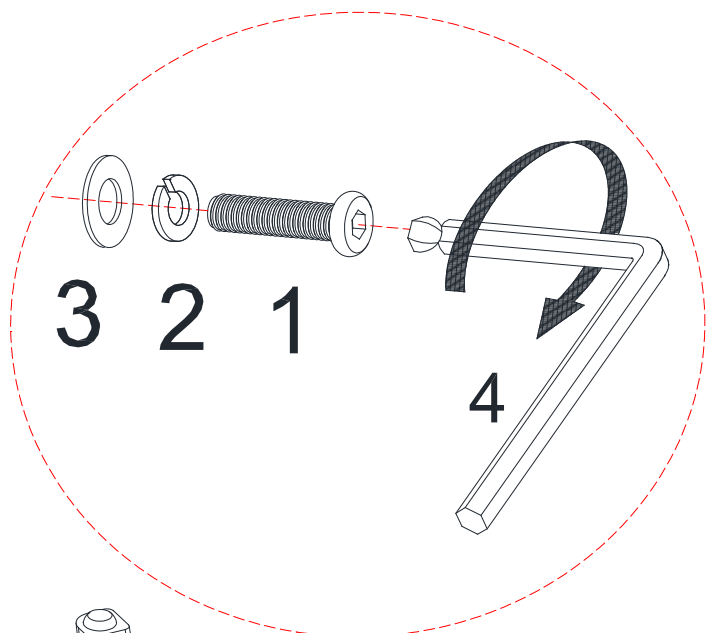
# Assembly | Asambla | Assemblage

A <span style="float: right;">x1</span>  Top Panel	B <span style="float: right;">x4</span>  Leg	C <span style="float: right;">x1</span>  Cross Rail
---	---	--

1 <span style="float: right;">x12</span>  Bolt <span style="float: right;">1/4"*2"</span>	2 <span style="float: right;">x12</span>  Spring Washer <span style="float: right;"><math>\phi</math>1/4</span>	3 <span style="float: right;">x12</span>  Flat Washer <span style="float: right;"><math>\phi</math>1/4"*16</span>
4 <span style="float: right;">x1</span>  Allen Wrench		

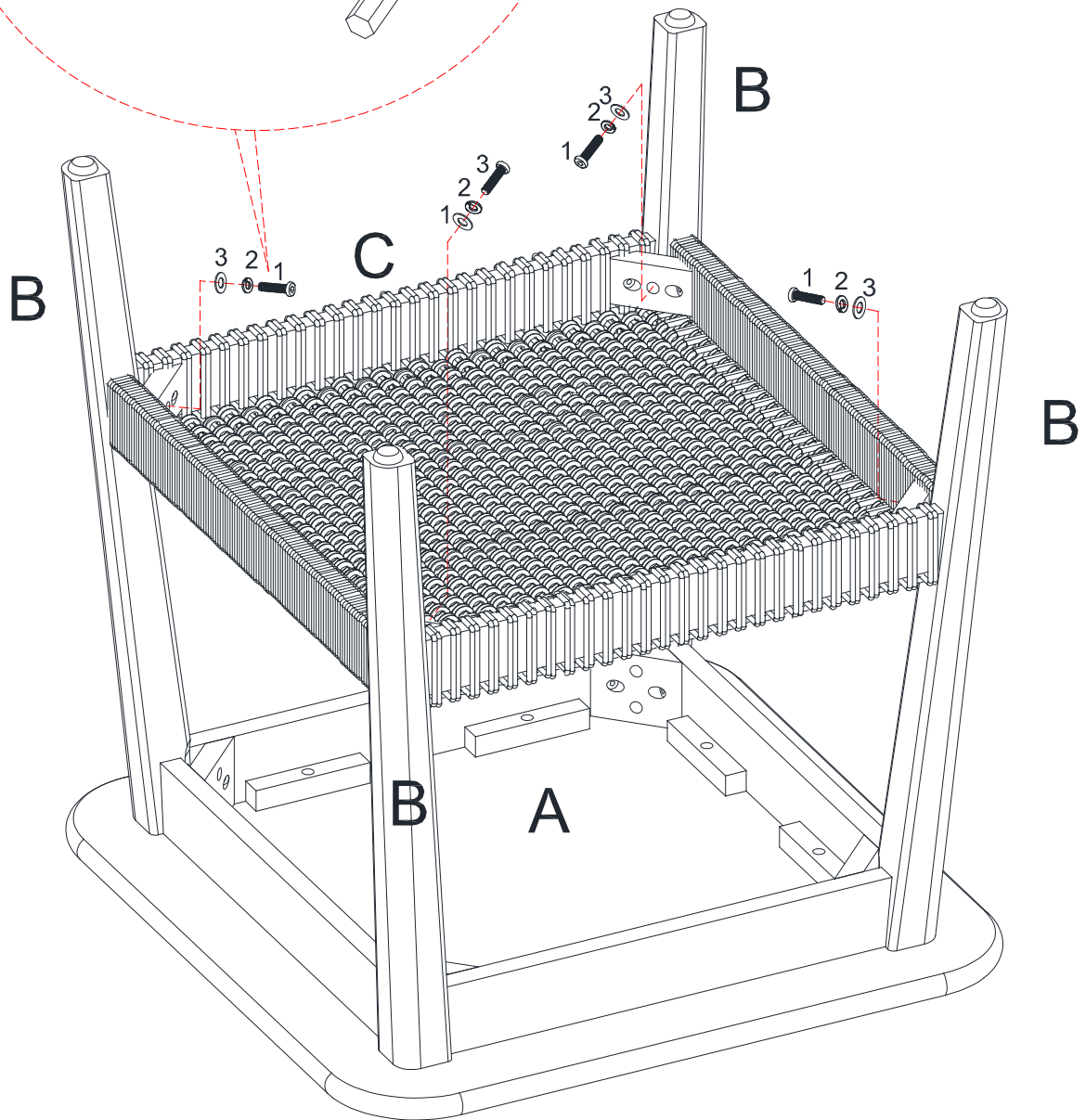
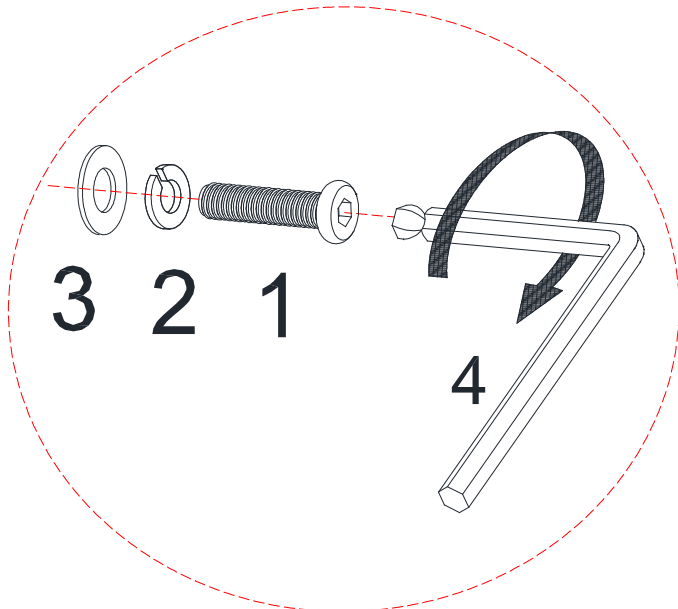
# Assembly | Asambla | Assemblage

1



# Assembly | Asambla | Assemblage

## 2



# Assembly | Asambla | Assemblage

# 3

