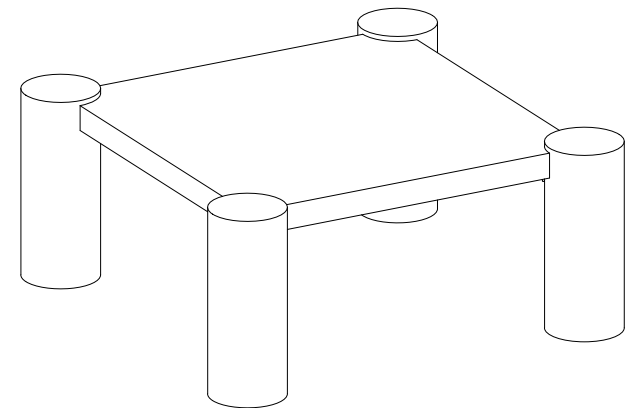


# TRESCOTT SQUARE WOOD COFFEE TABLE

DESIGN# SFV9763

Assembly Instructions



Need help?

Feel free to contact us via email or call  
if you have any specific questions!

**contact us:**

cs@safavieh.com

866-422-9070

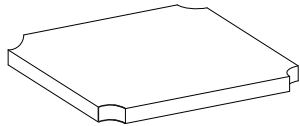
**SAFAVIEH**  
C O U T U R E

# Thanks for bringing Safavieh Couture into your home

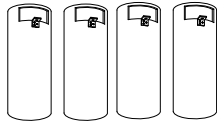
Everything we make is incredibly simple to set up, including your new Coffee table. You won't need any additional tools.

## Parts List

A X 1  
Wooden Top



B X 4  
Wooden Leg



## Hardware List

HW1 x 4  
CSK head Bolt 40X8mm



HW2 x 4  
Flat washer 8X25mm



HW3 x 1  
Allen Key M5

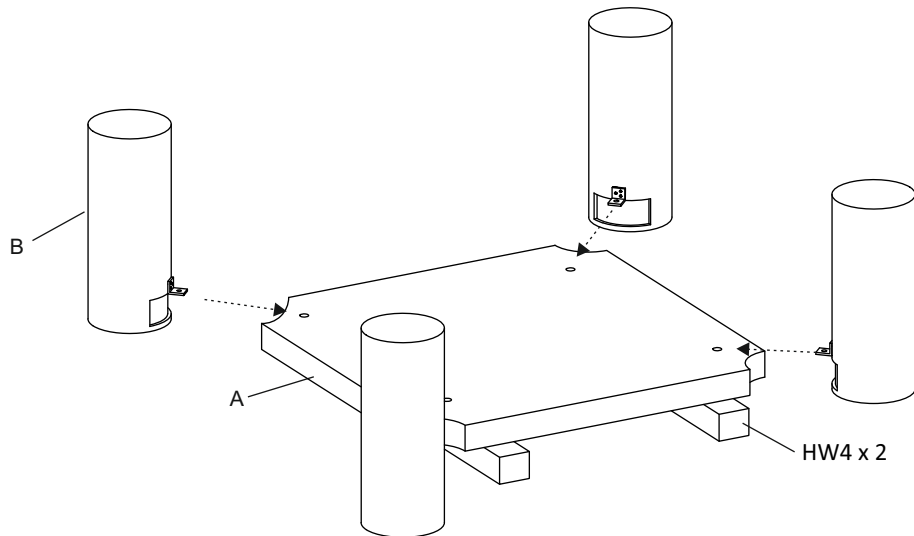


HW4 x 2  
Honey combe sheet



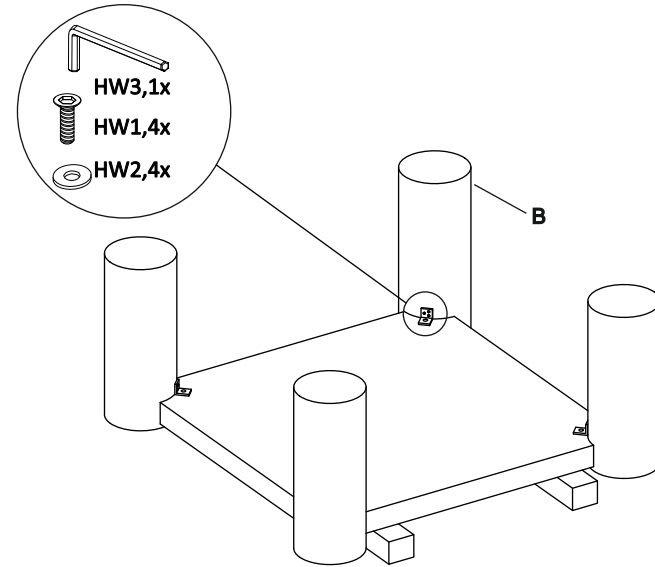
1

Place the wooden top (A) upside down on the honey comb sheets (HW4) to elevate the top. Align the screw holes from the top (A) to the screw holes on the wooden legs (B) as shown.



2

Place the Flat Washers (HW2) on the CSK Head Bolts (HW1). Attach the wooden legs (B) to the top (A) by using the Allen Key (HW3) to screw in the CSK Bolts (HW1) with the washers (HW2). Firmly tighten the bolts.



3

Carefully turn the coffee table upright. Place the Coffee table in the place where you will use it. We'd love to see it – just tag us (we're @safavieh) and use the hashtag #safavieh on Instagram!

