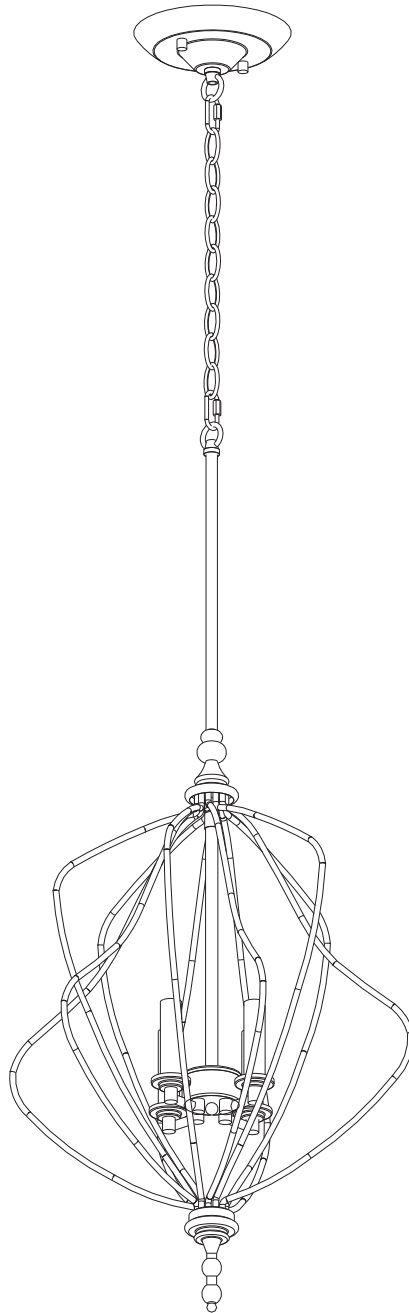


Assembly Instructions



4-Light Vanity Fixture

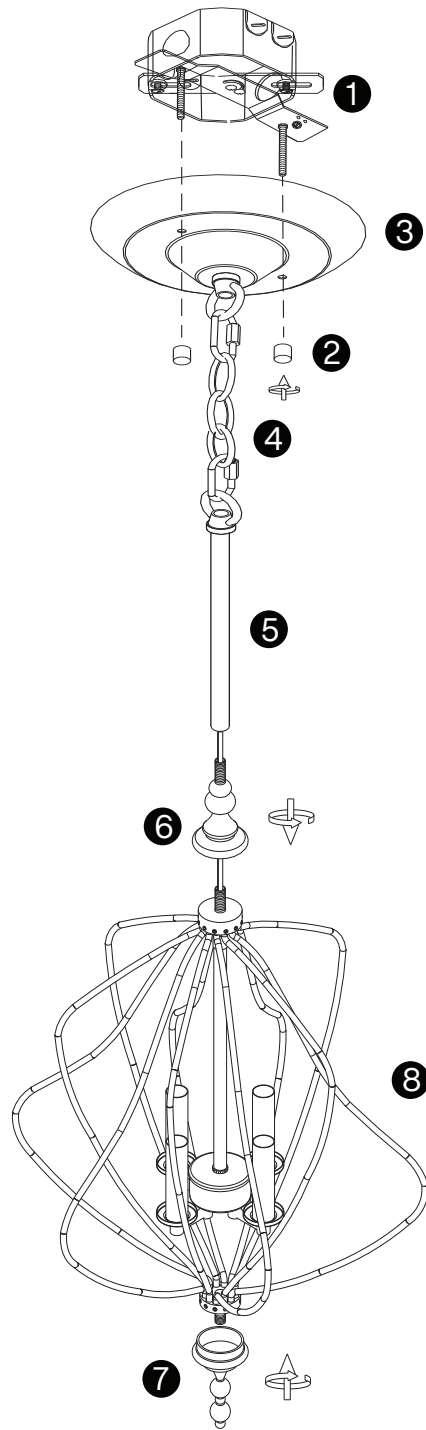
Contact Us

We're here to help you.

Your satisfaction is our top priority. If you encounter any issues with this product, such as missing or damaged parts, we're here to help. Please retain the original packaging and take photos of the packaging and the product, then contact us as soon as possible.

Warm Tips

1. Carefully read these instructions and keep them for future reference.
2. Check the parts list and confirm everything's there before starting assembly.
3. When assembling, put all parts on a soft, smooth surface like a carpet to avoid scratches.
4. Don't fully tighten screws until all parts are confirmed in place to avoid misalignment.



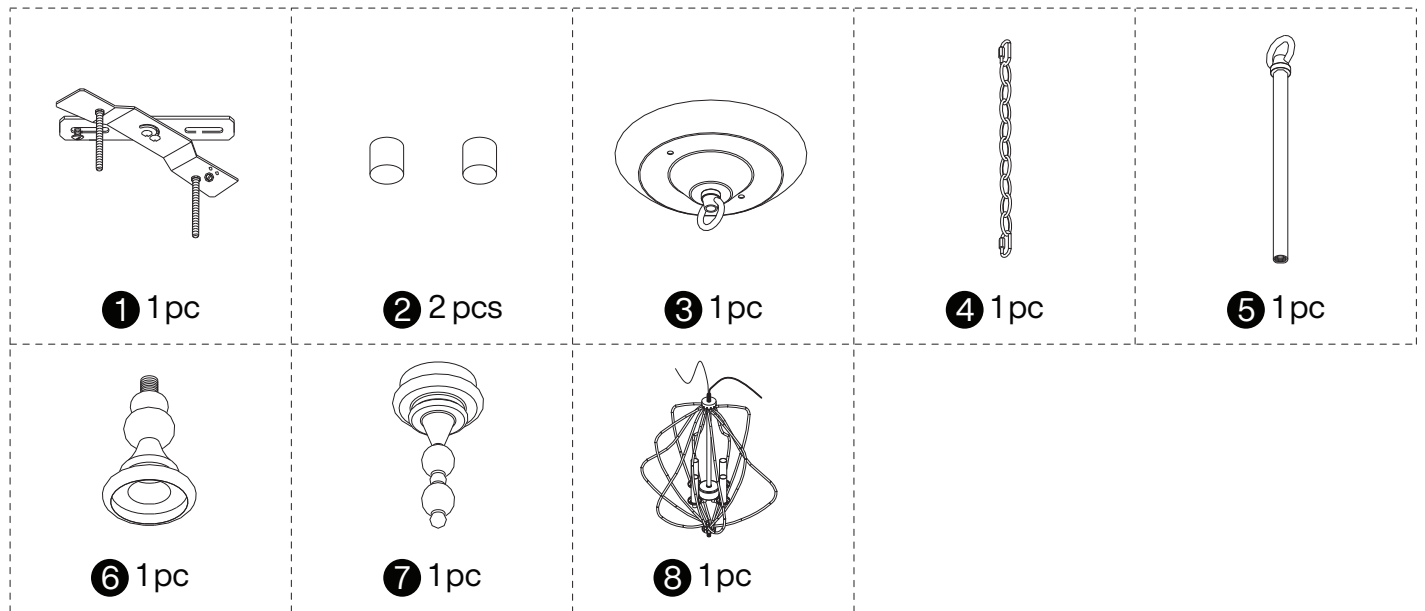
⚠ Caution

Make sure all parts are included. Most board parts are labeled or stamped on the raw edge.

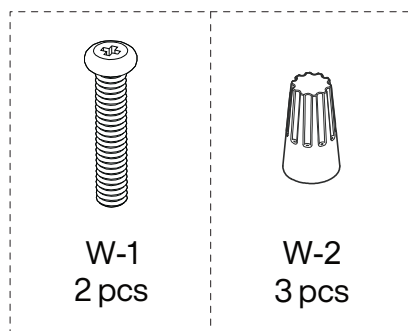
Contact us for a free replacement if you encounter any damaged or missing parts.

Turn off the main power at the circuit breaker before installing and servicing the fixture to prevent possible injury from electric shock.

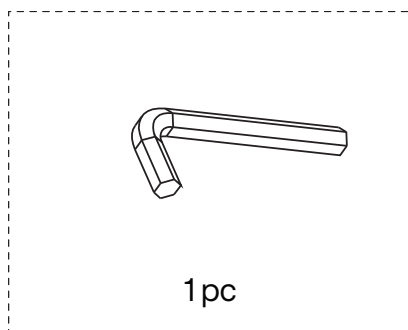
Parts List



Hardware List



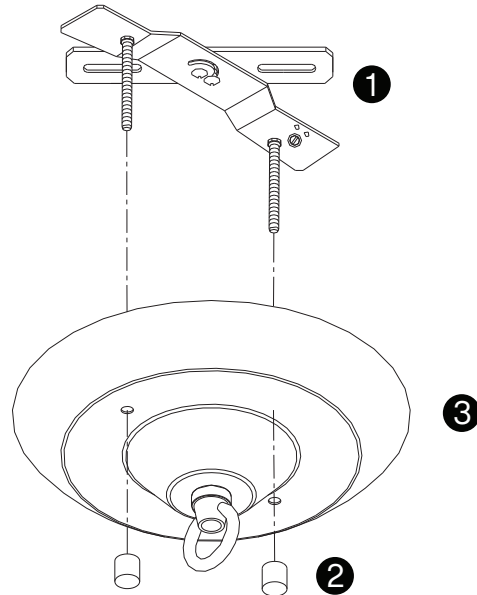
Tools Require



1

REMOVE MOUNTING BRACKET

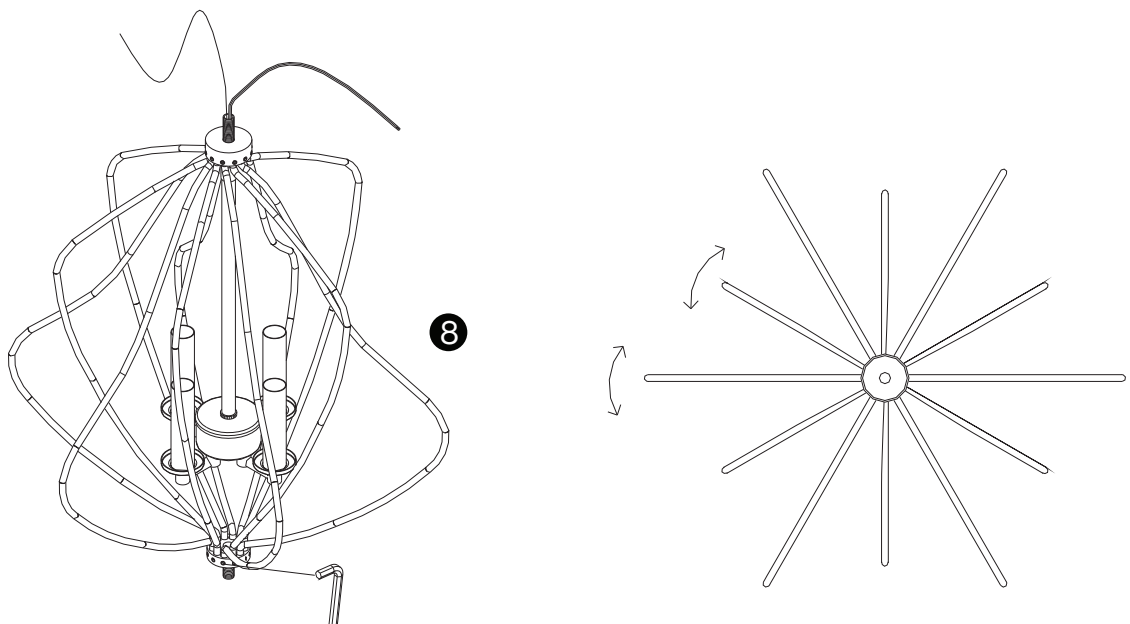
Remove the mounting bracket (1) from the ceiling canopy (3), and save the two cap nuts (2) that were unscrewed.



2

ANGLE ADJUSTMENT

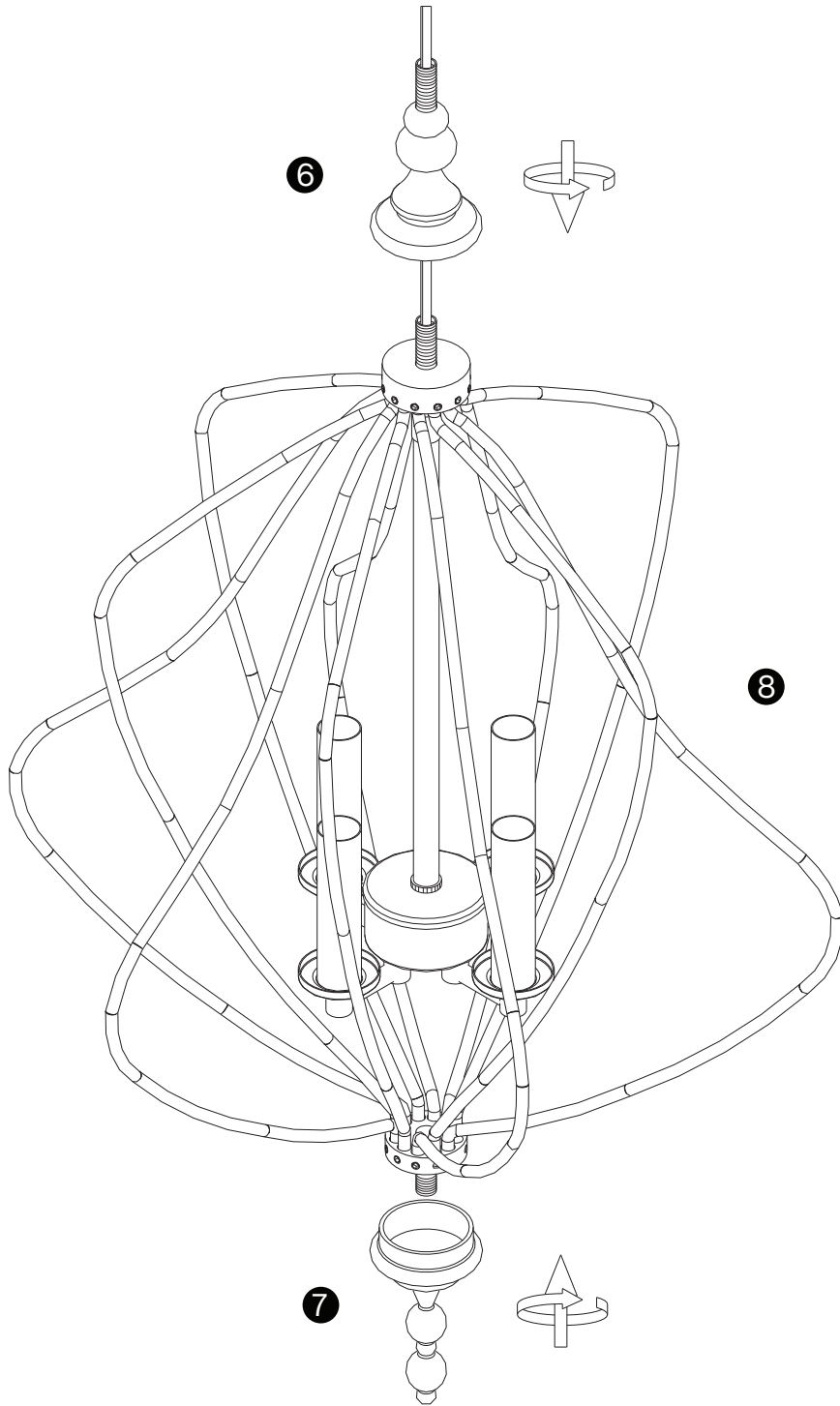
Unfold the metal frame of the fixture base (8), arrange it at approximately 30-degree intervals, and then secure the frame by tightening the screws with a hex key.



3

INSTALL DECORATIVE PIECE

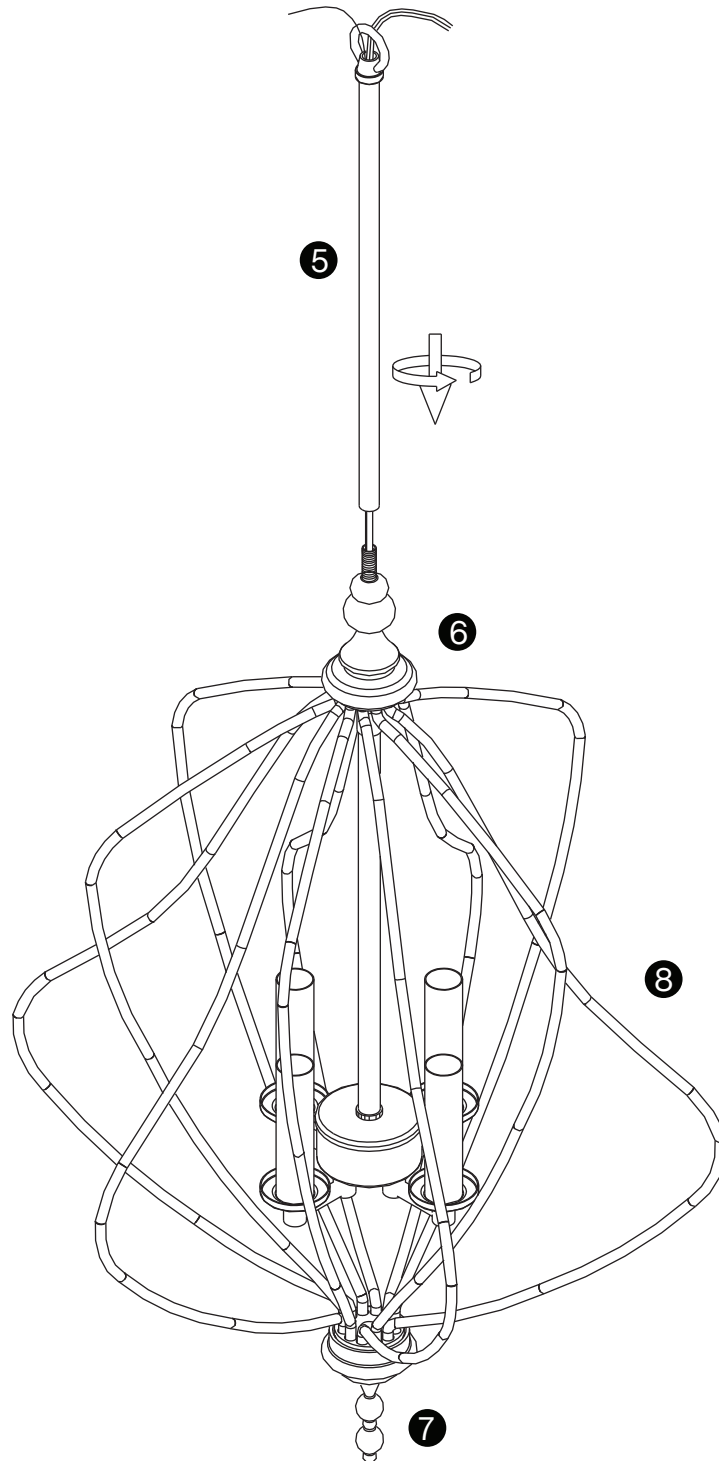
Screw decorative piece (7) counterclockwise into the lower threaded tube of the fixture base (8), and then screw decorative piece (6) counterclockwise into the upper threaded tube.



4

INSTALL CENTER TUBE

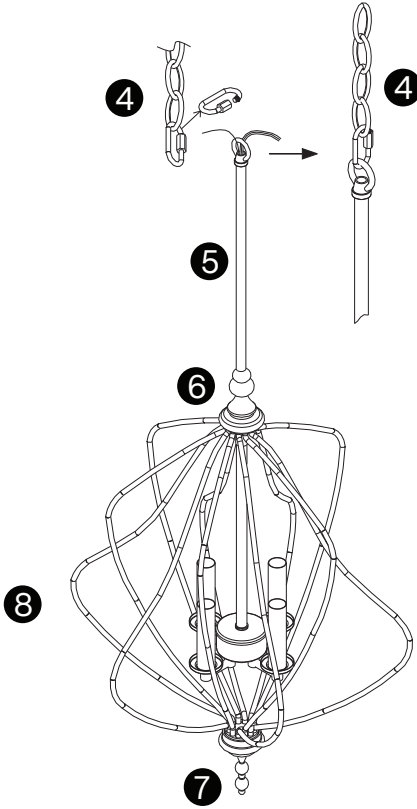
Thread the wire through the center tube (5), tighten the center tube (5) counterclockwise onto the fixture base (8).



5

MEASURE THE REQUIRED SUSPENSION LENGTH

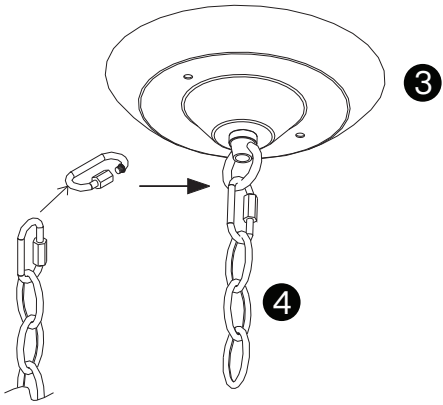
Measure the required suspension length, then use pliers (not included) to cut off any excess part of the hanging chain (4). Lock the hanging chain (4) to the ring on the tube (5).



6

INSTALL THE HANGING CHAIN

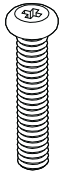
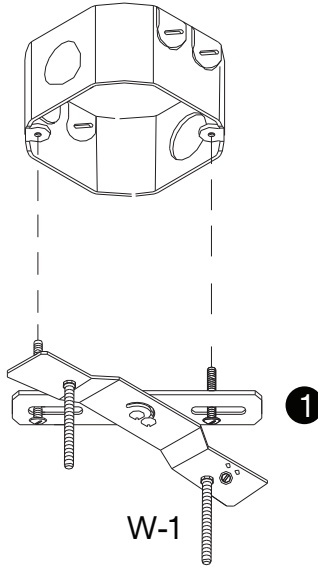
Lock the hanging chain (4) onto the ceiling pan (3).



7

INSTALL MOUNTING BRACKET

Attach the mounting bracket (1) to the outlet using the slotted holes on the mounting bracket (1), use a Phillips screwdriver (not included) to tighten the mounting screw (W-1) to the outlet box (not included) until the mounting bracket (1) is secured on the outlet box (not included).

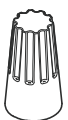
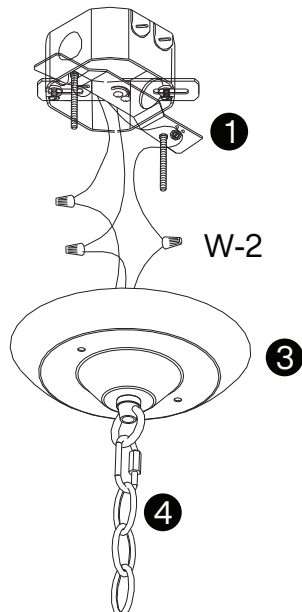


W-1
2 pcs

8

CONNECT WIRES

Connect the power supply wires to the fixture lead wires by connecting the black fixture wire to the black supply wire, and the white fixture wire to the white supply wire using wire connector (W-2). Connect the fixture ground wire to the house ground wire by fixed on the mounting bracket (1). Carefully tuck all wiring back into the outlet box (not included).

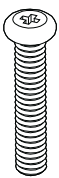
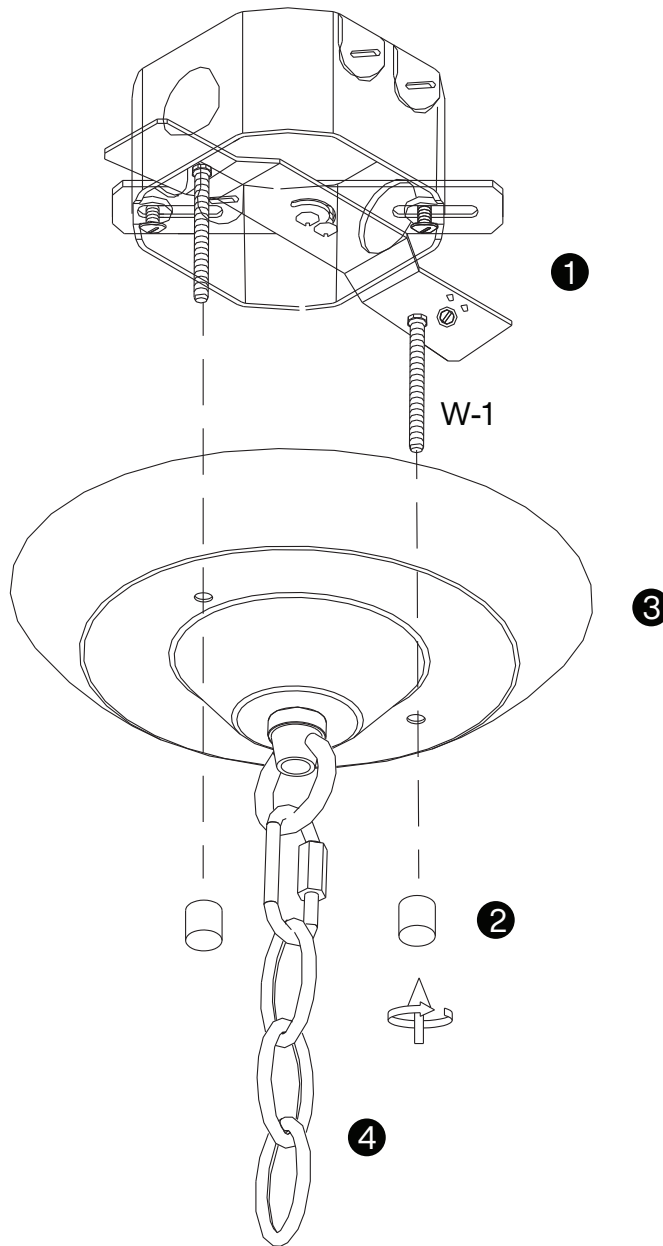


W-2
3 pcs

9

INSTALL CEILING PAN

Attach the ceiling pan (3) to the mounting bracket (1) by feeding the fixture screws (W-1) through the holes of the ceiling pan (3). Secure it with the cap nuts (2).

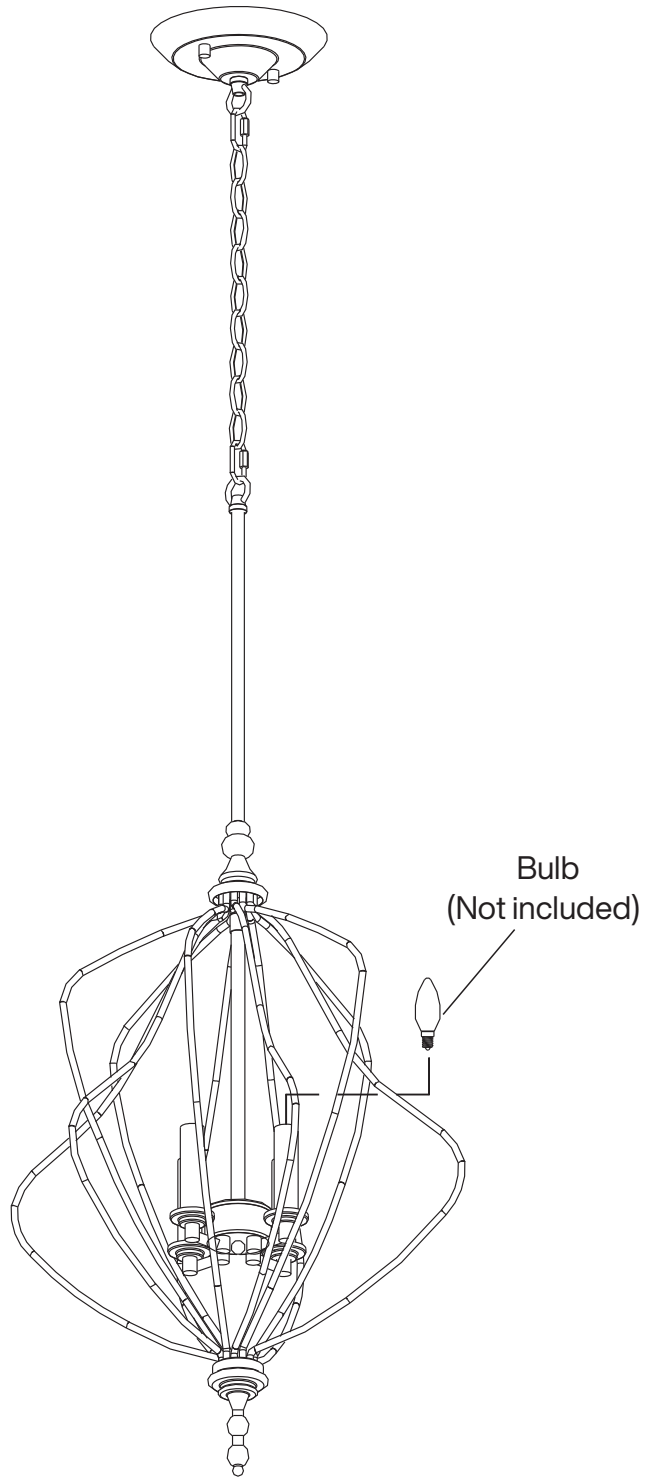


W-1
2 pcs

9

INSTALL BULB

Install light bulb (not included) in accordance with the fixture's specifications. Do not exceed the maximum recommended wattage.



Thank you for your support!

