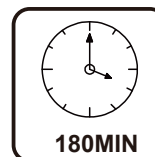
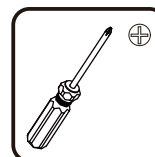
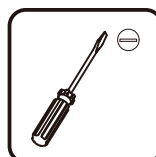
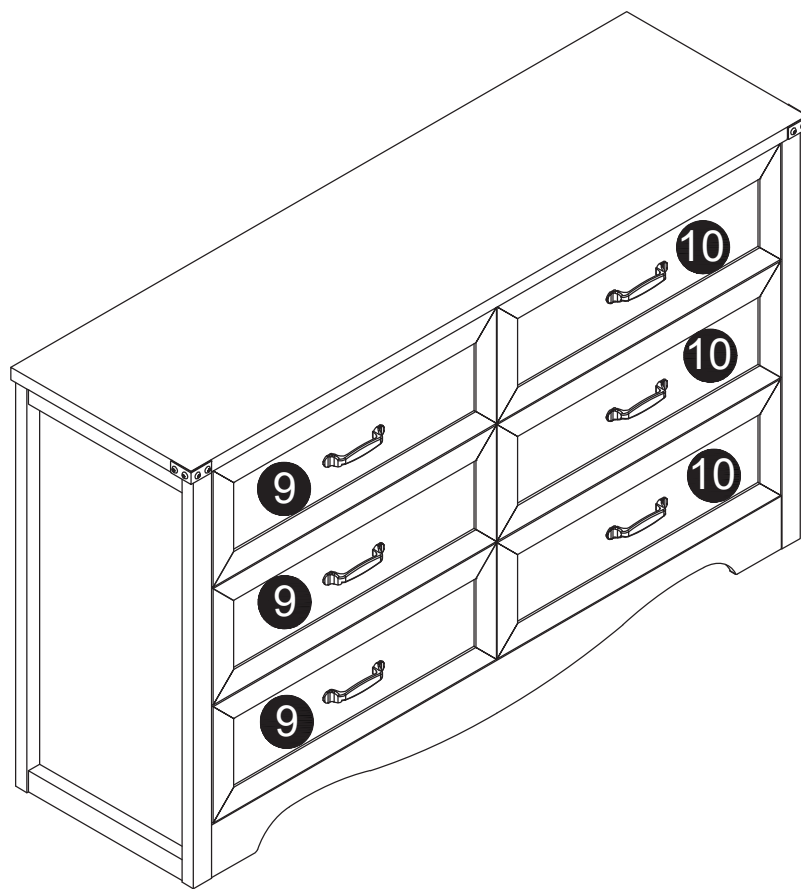
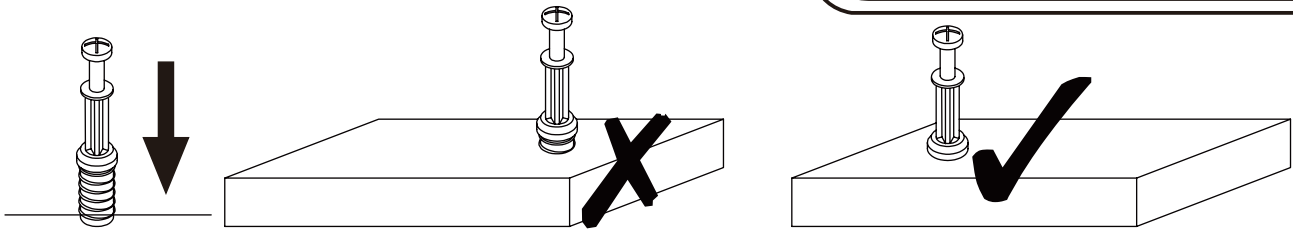


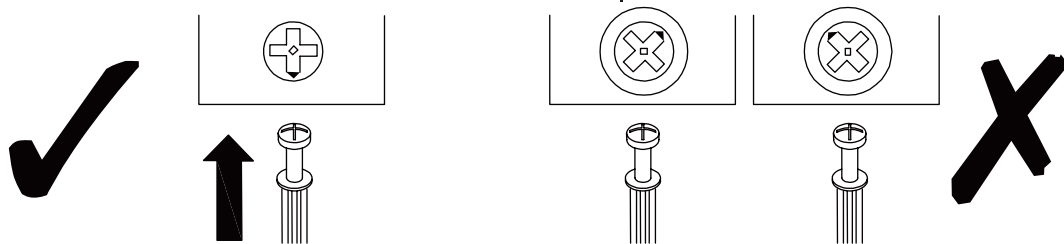
# Installation & Assembly



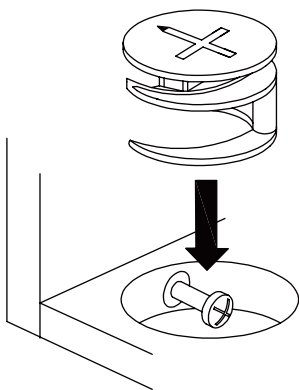
**EN\_IMPORTANT, RETAIN FOR FUTURE REFERENCE: READ CAREFULLY.**



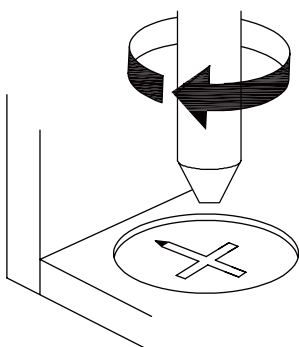
**EN\_QUICKFIT:** Tighten quickfit until shoulder is flush with panel. Do not overtighten or undertighten.



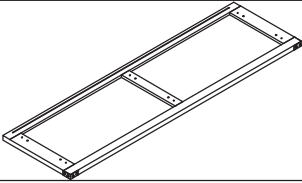
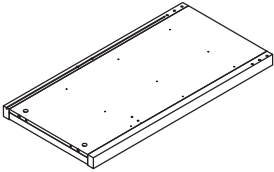
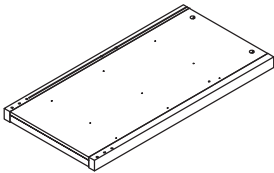
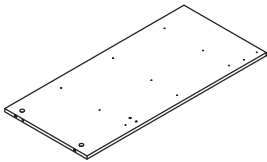
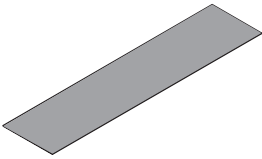
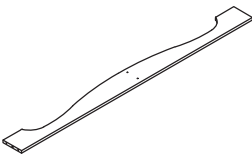
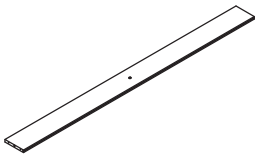
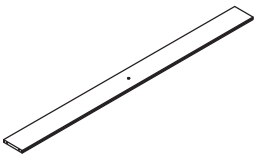
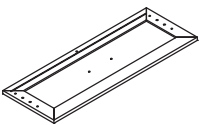
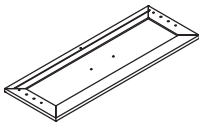
**EN\_CAM LOCK:** When fitting cam lock, ensure starting position is correct before you insert connecting quickfit.

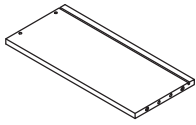
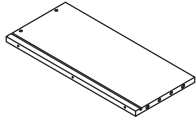
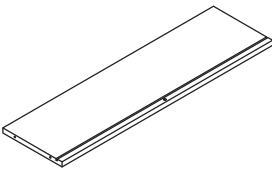
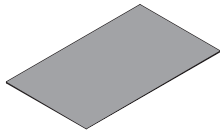
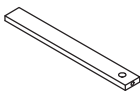
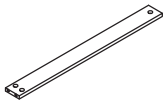



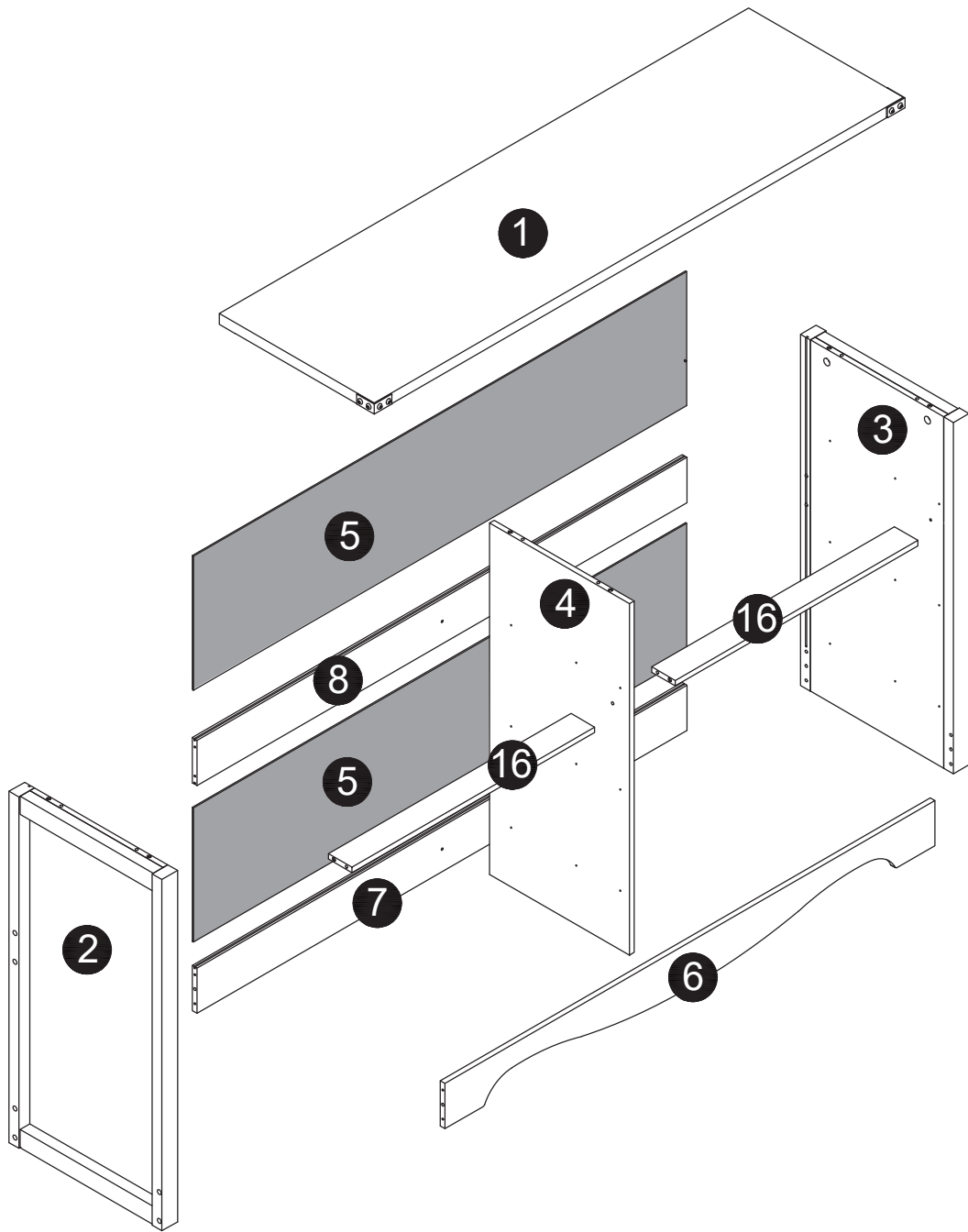
**EN\_Quickfit** head should be in the centre of the cam lock when the two panels are joined.  
Cam lock should be inserted before quickfit.



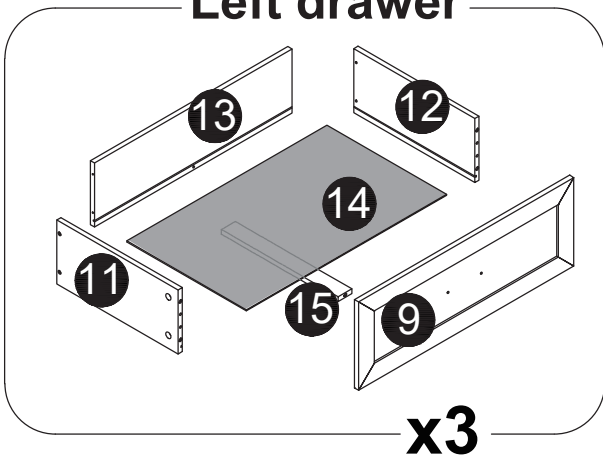
**EN\_Turn** cam lock clockwise to tighten.

NO.	PARTS	QTY	SPARE
1		x1	
2		x1	
3		x1	
4		x1	
5		x2	
6		x1	
7		x1	
8		x1	
9		x3	
10		x3	

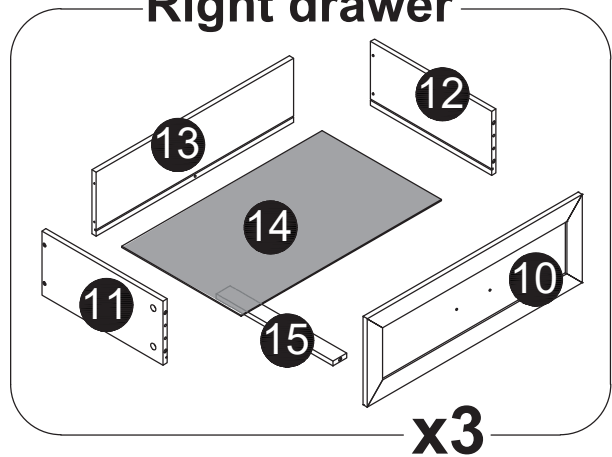
NO.	PARTS	QTY	SPARE
11		x6	
12		x6	
13		x6	
14		x6	
15		x6	
16		x2	
	 Hardware Kit		

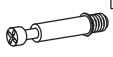






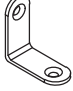



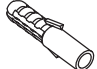








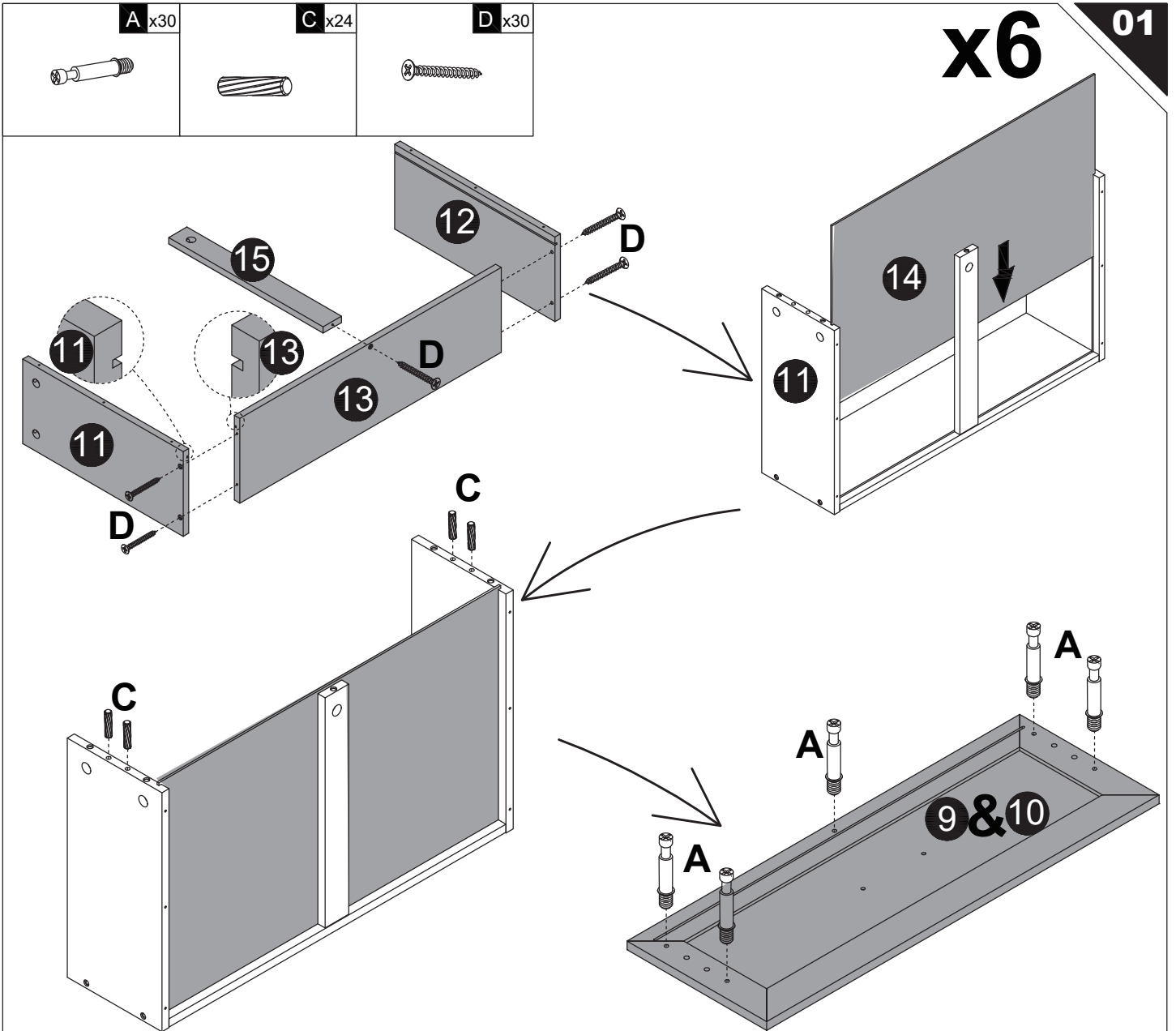
Left drawer



Right drawer

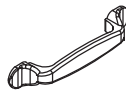


 <b>A</b> x42 Ø6x35mm +2(spare)	 <b>B</b> x42 Ø15x10mm +2(spare)	 <b>C</b> x34 Ø6x30mm +3(spare)	 <b>D</b> x34 Ø4x35mm +2(spare)	 <b>E</b> x72 Ø3.5x12mm +4(spare)	 <b>F</b> x6
 <b>G1</b> Ø3x16mm +1(spare)	 <b>H</b> x2	 <b>I</b> x4 Ø4x12mm	 <b>J</b> x2 Ø4x14mm	 <b>K</b> x2	 <b>L</b> x2 Ø6x30mm
 <b>M</b> x12 Ø5x50mm +1(spare)	 <b>N</b> x12 Ø15mm +1(spare)	 <b>CL</b> x6 350mm	 <b>CR</b> x6 L350mm	 <b>DL</b> x6 350mm	 <b>DR</b> x6 350mm



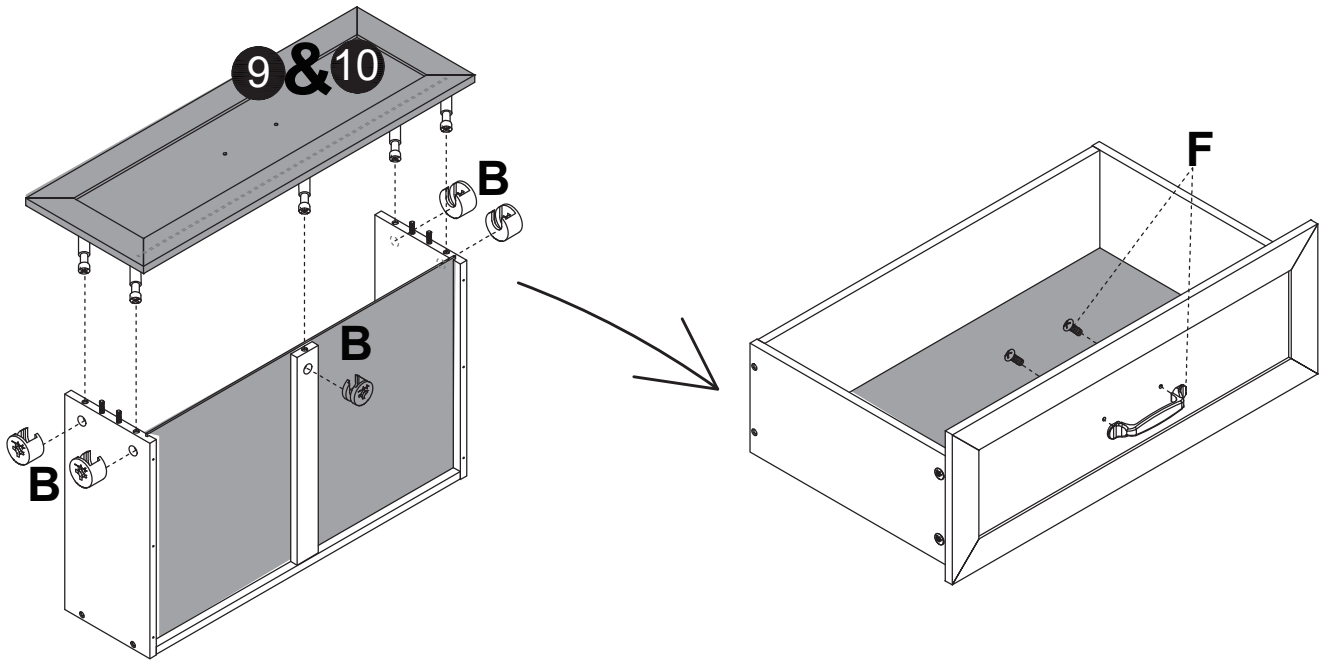
B x30

F x6



x6

02



E x36

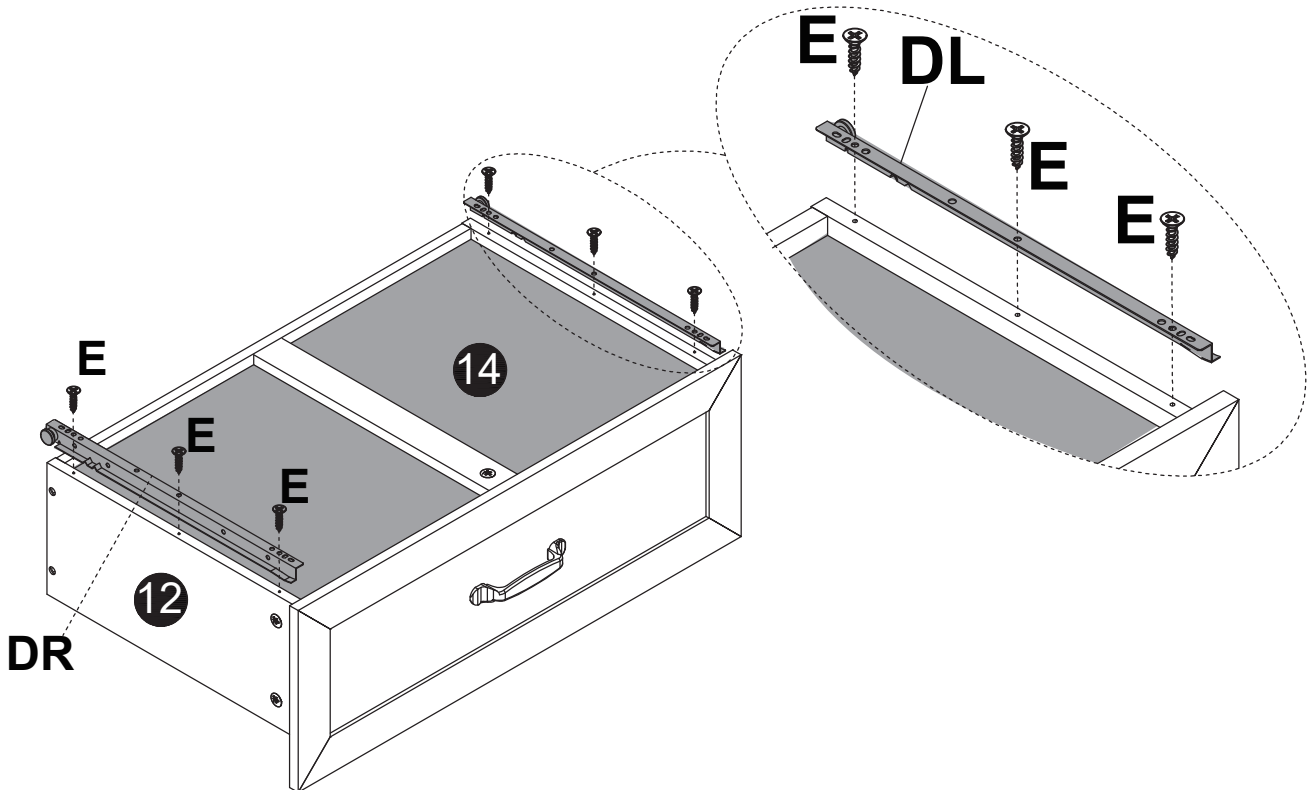
DL x6

DR x6



x6

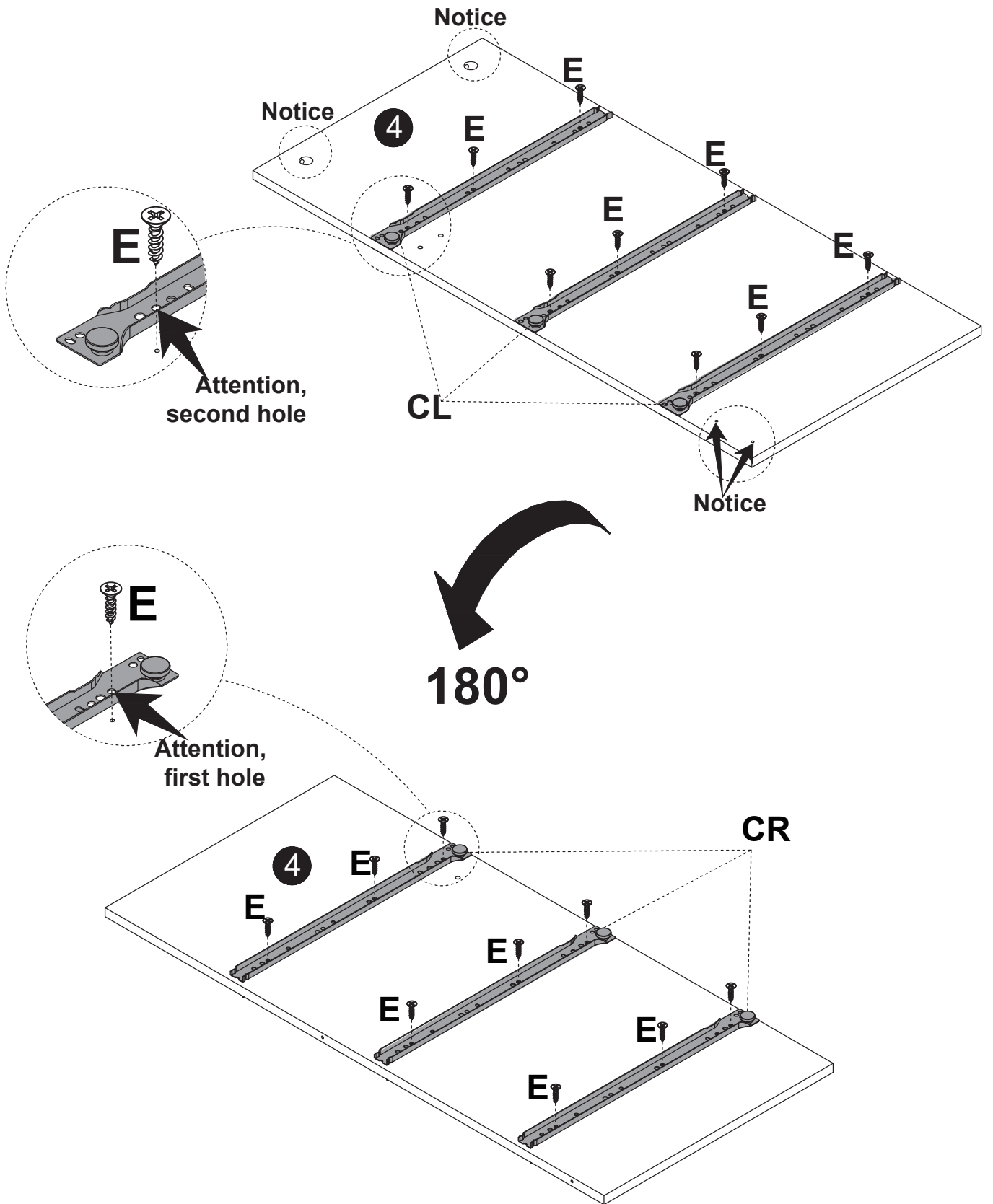
03



E x18

CL x3

CR x3



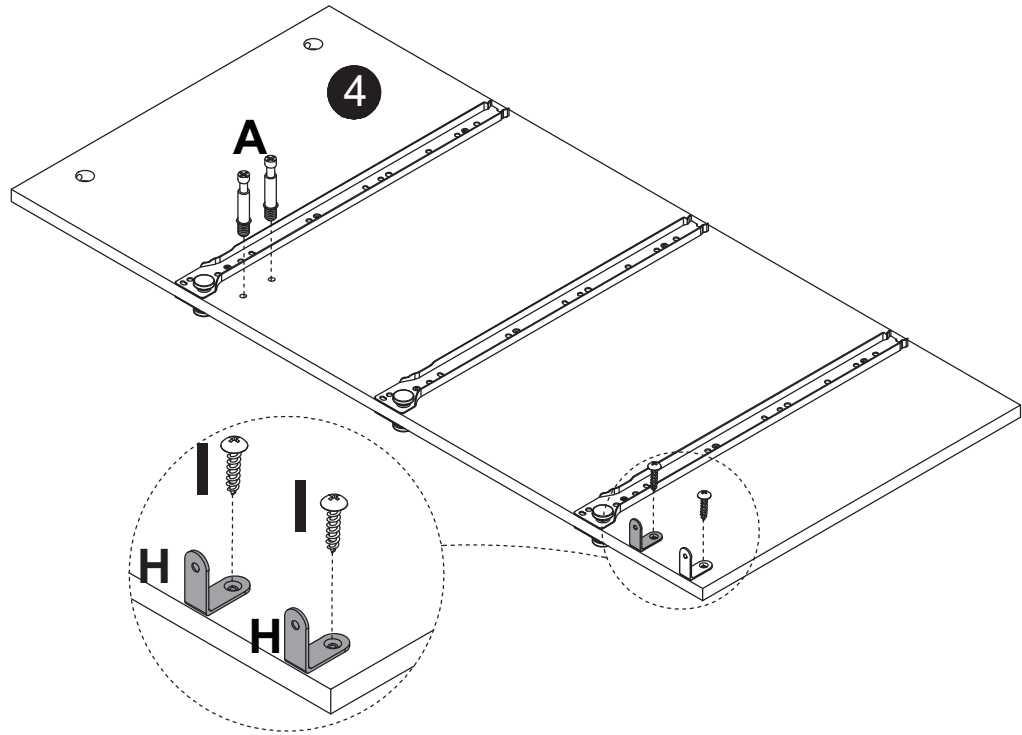
A x2



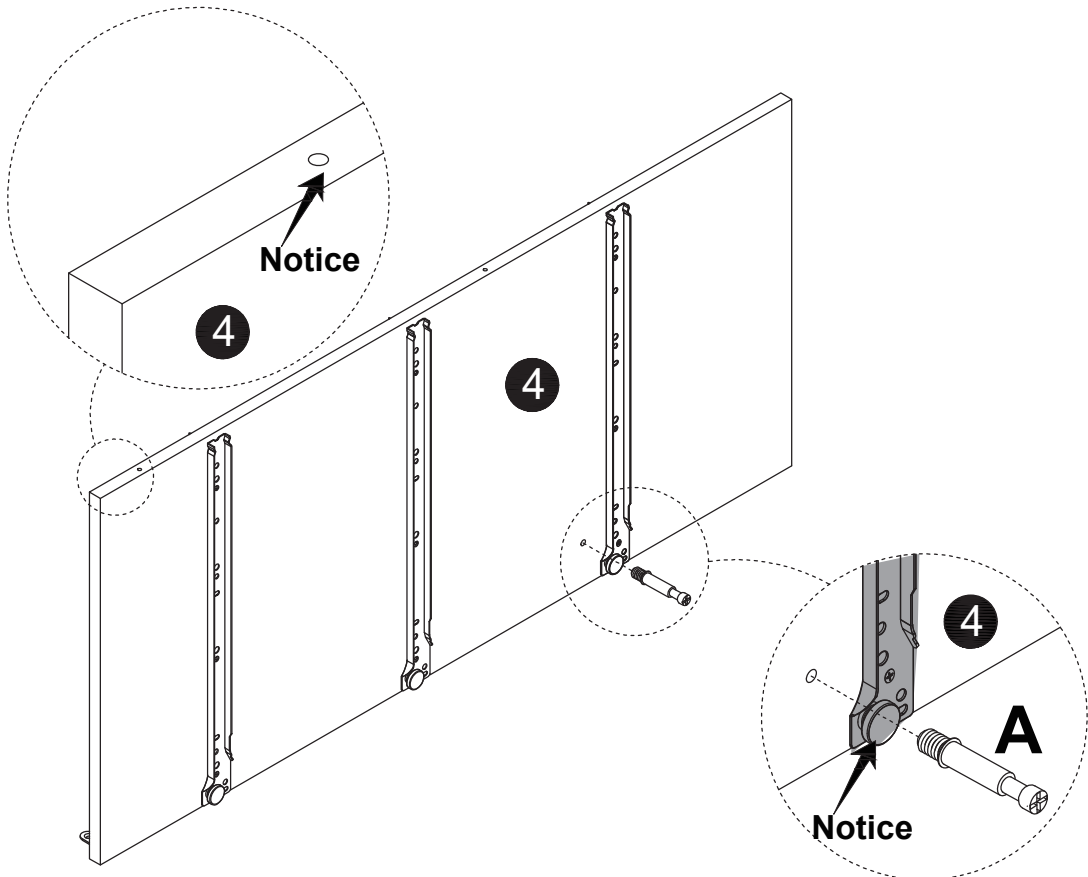
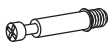
H x2



I x2

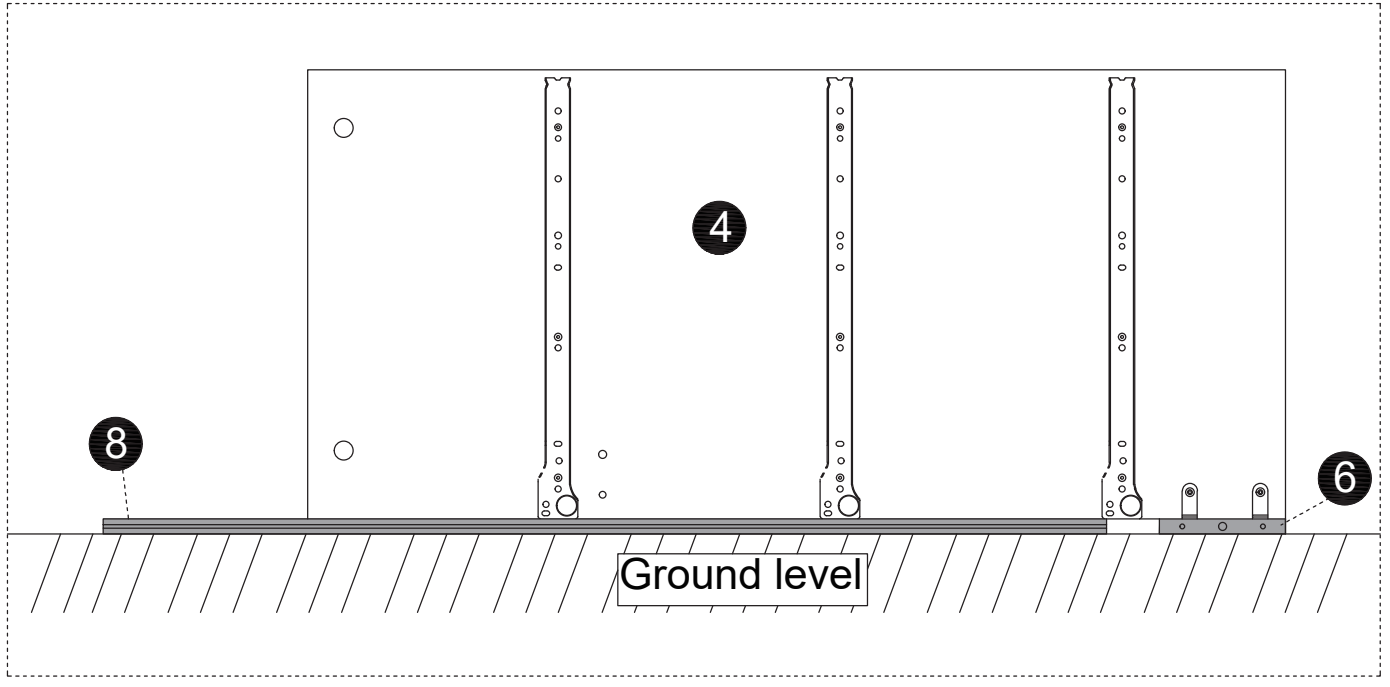
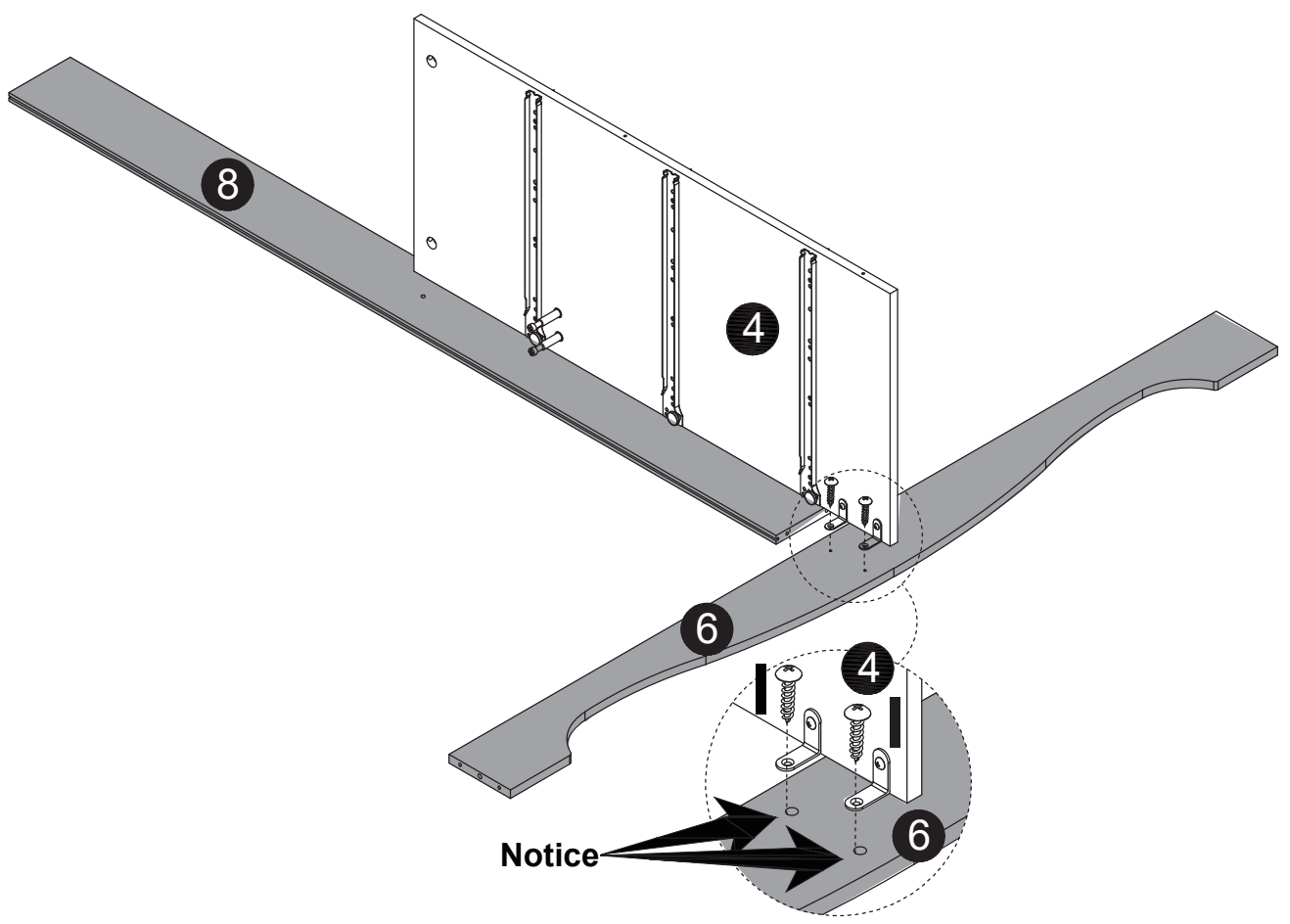


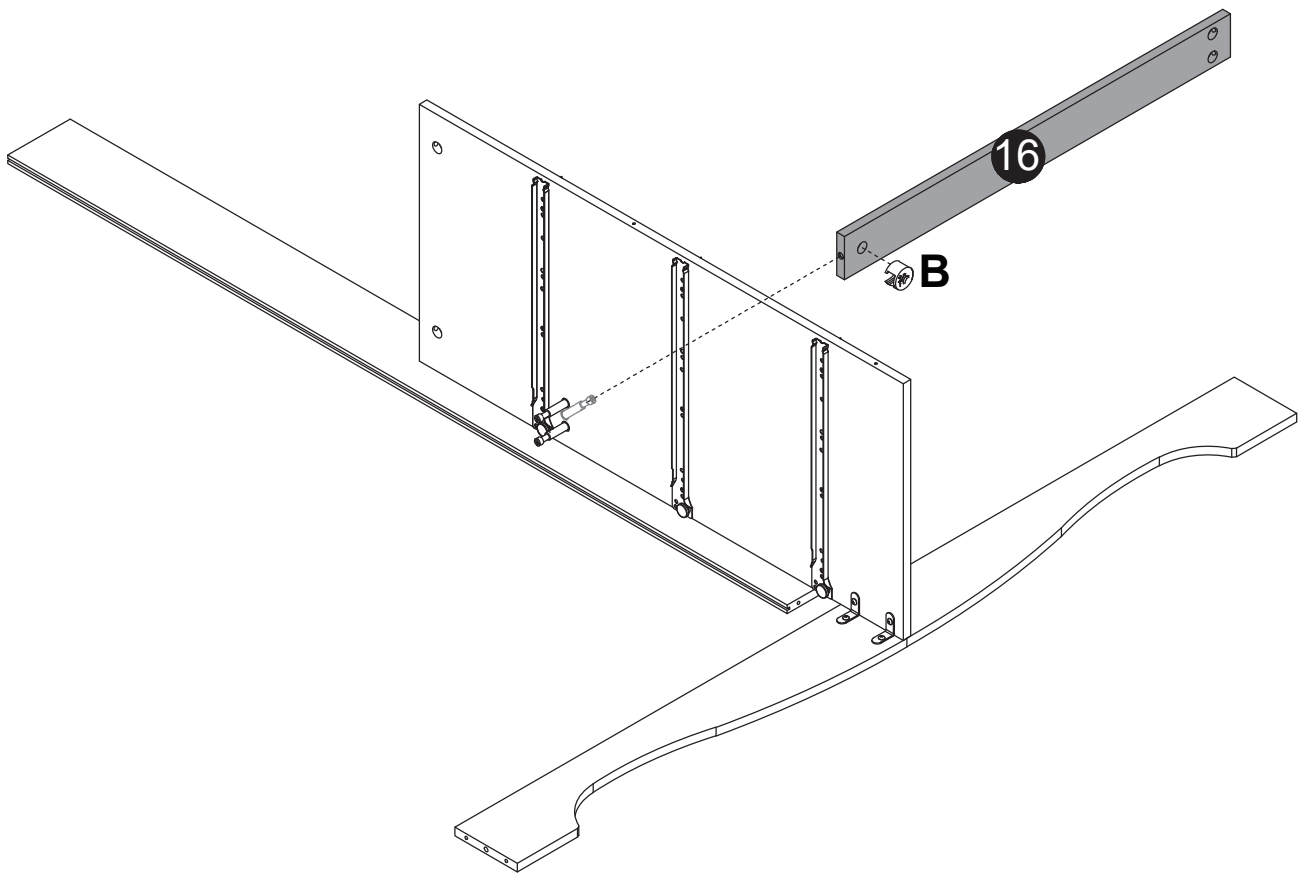
A x1



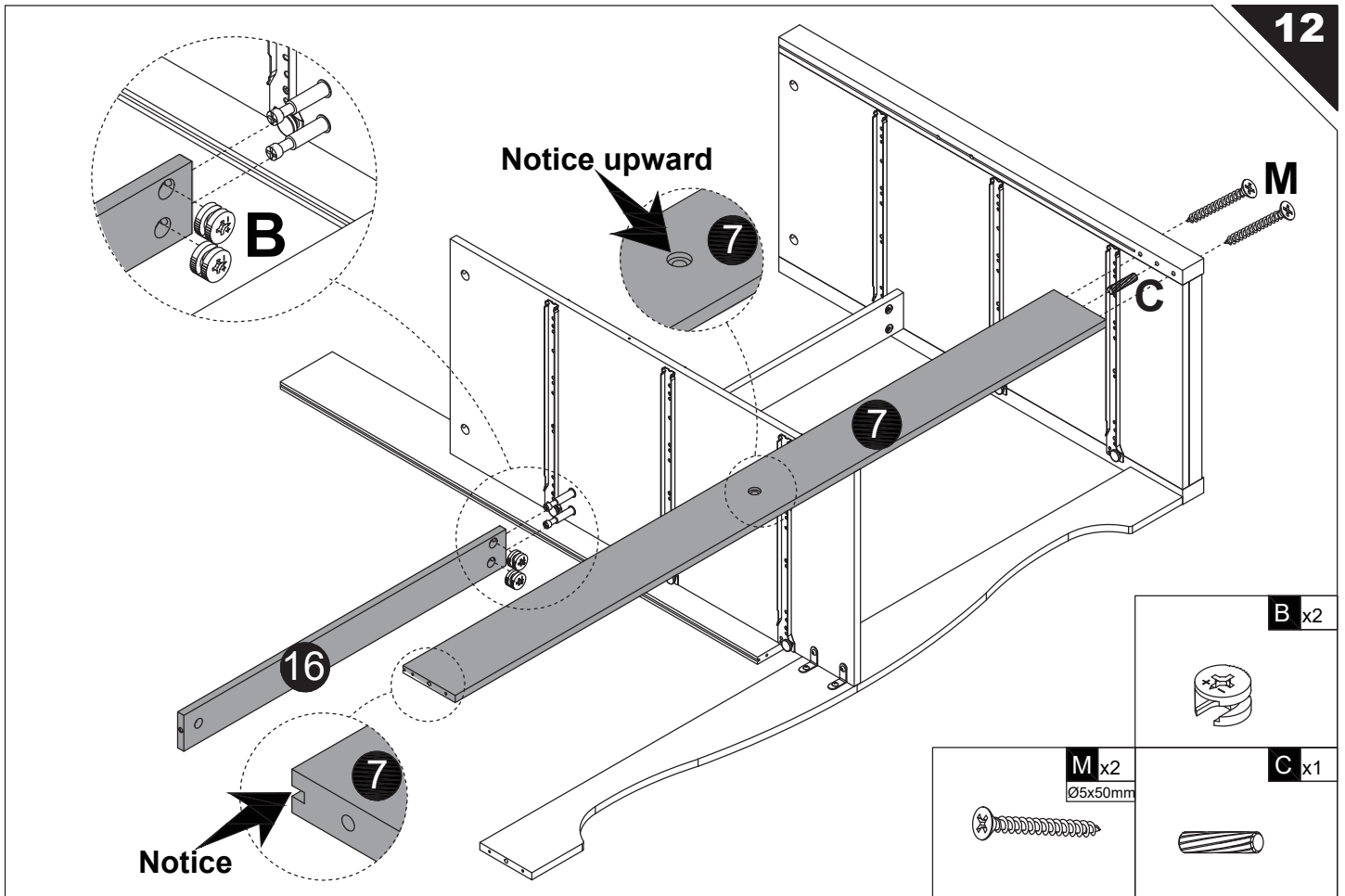
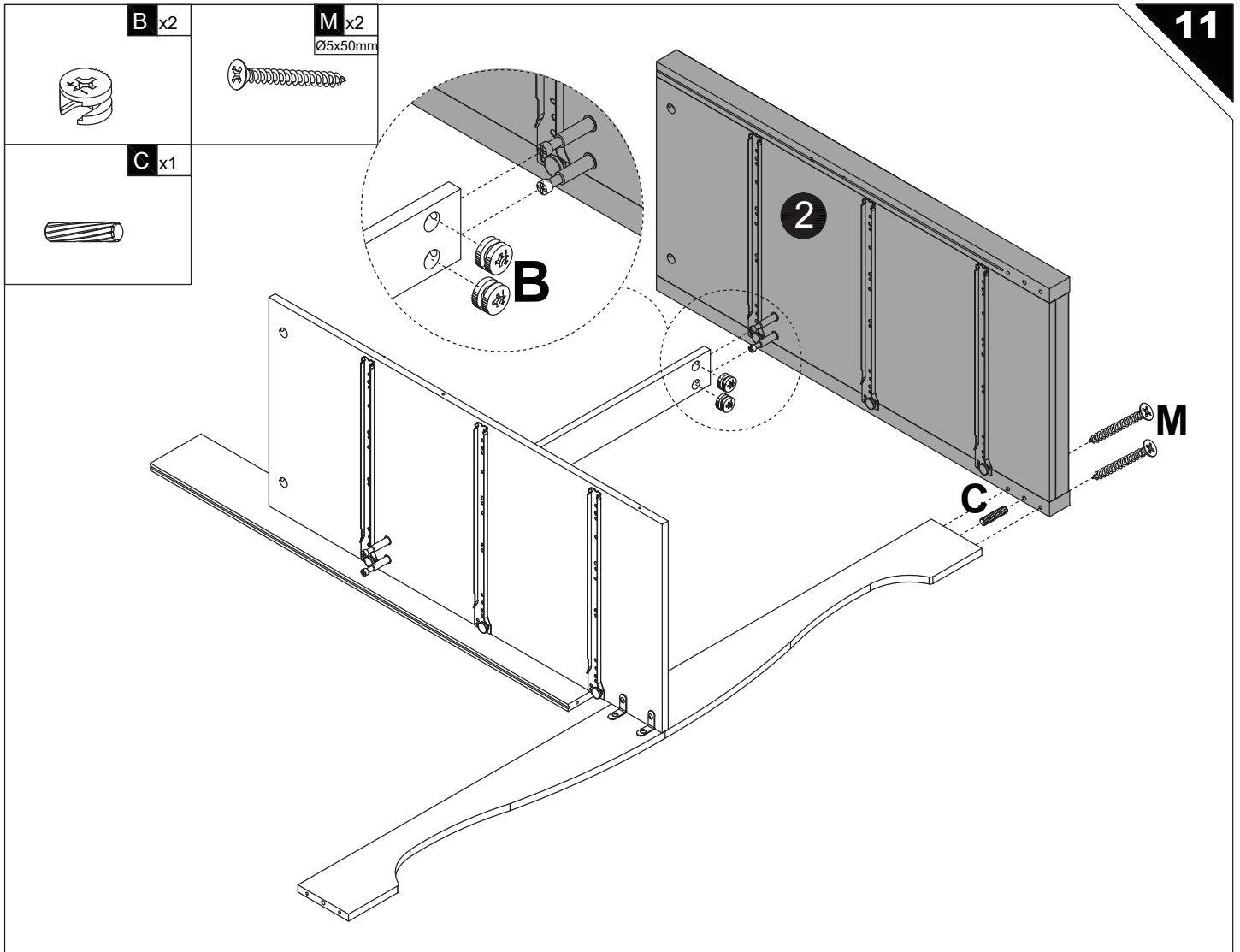


**Attention:** When installing the connection between board 4 and board 6, the upper part of board 4 may sink or become uneven. You can use the 8th board to level it as shown in the figure to prevent the 4th board from sinking, as shown.



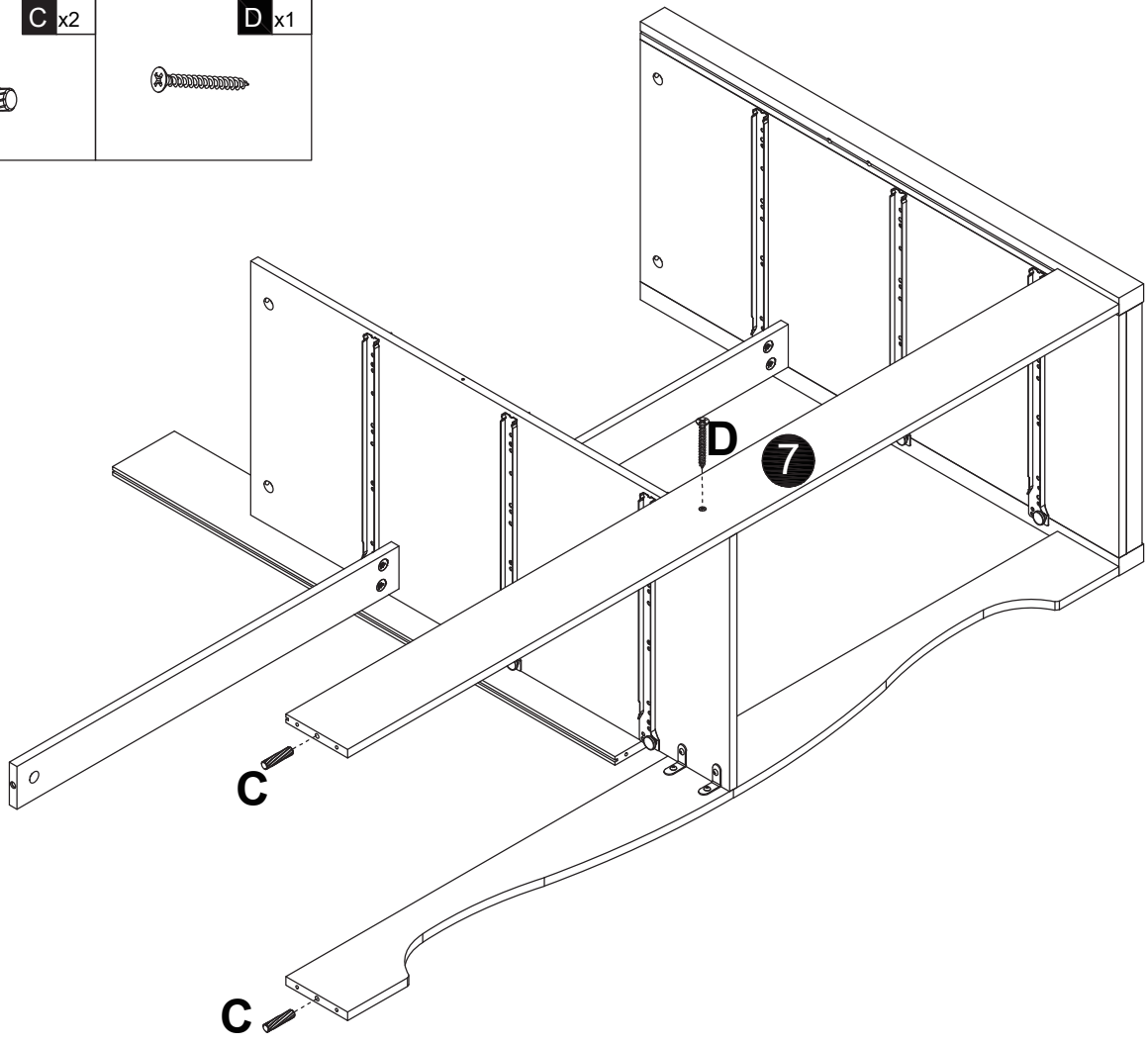






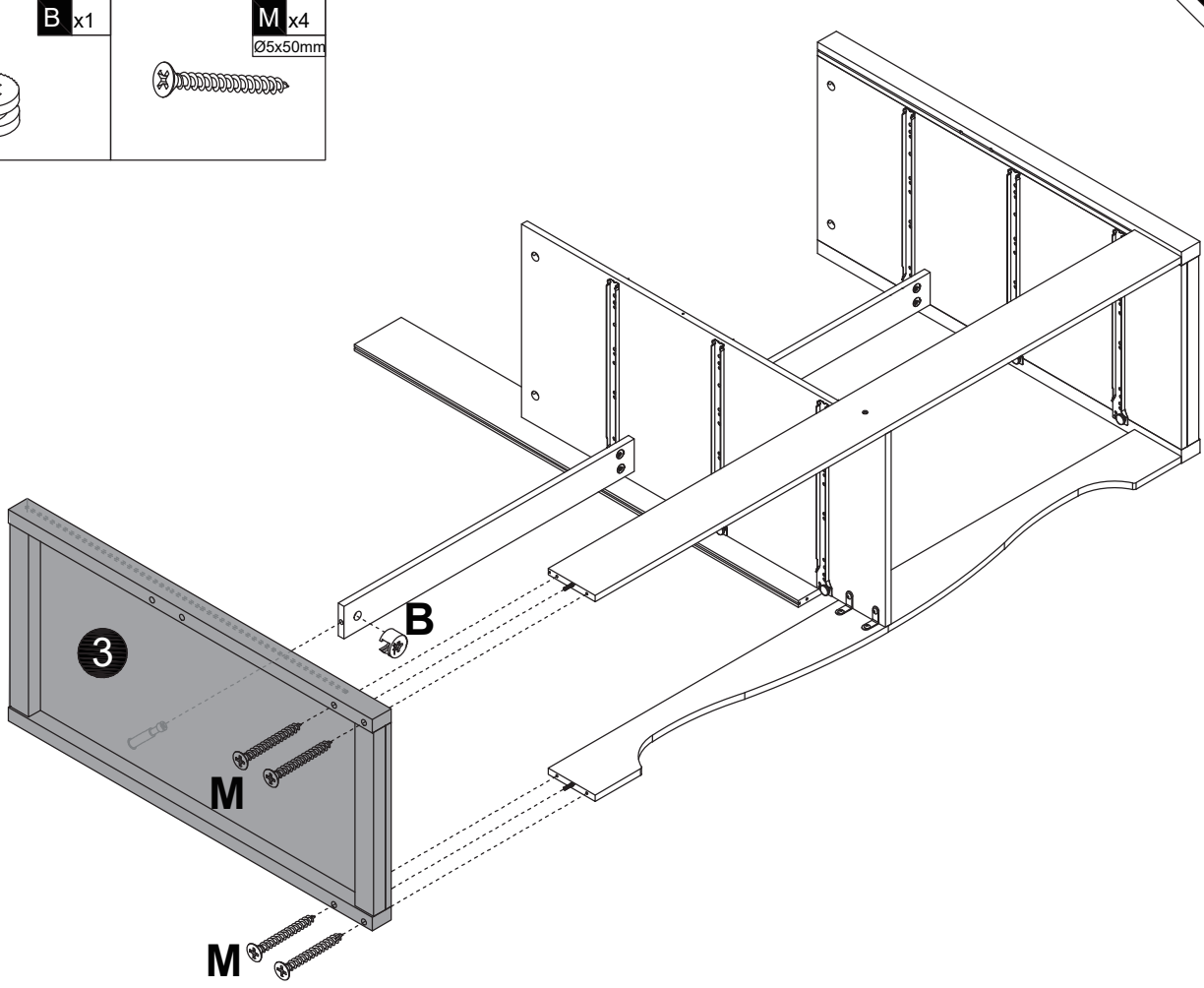
C x2

D x1

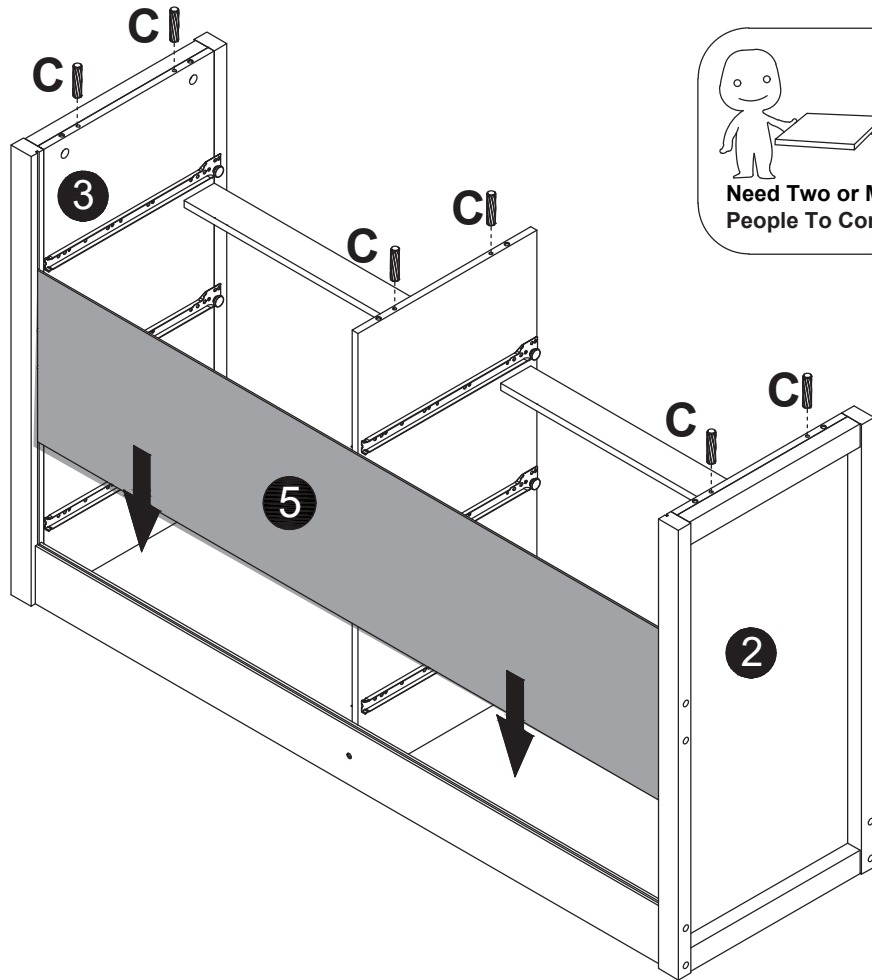


B x1

M x4  
Ø5x50mm



C x6



Need Two or More People To Complete

D x1

Ø4x35mm

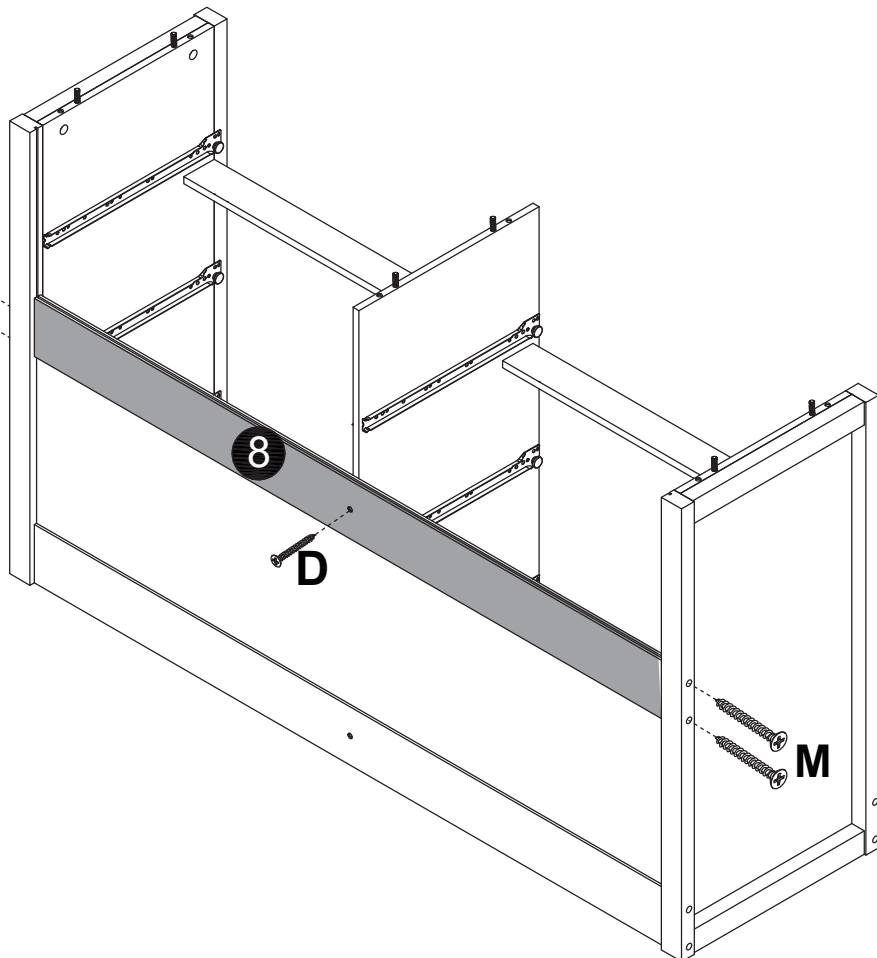


M x4

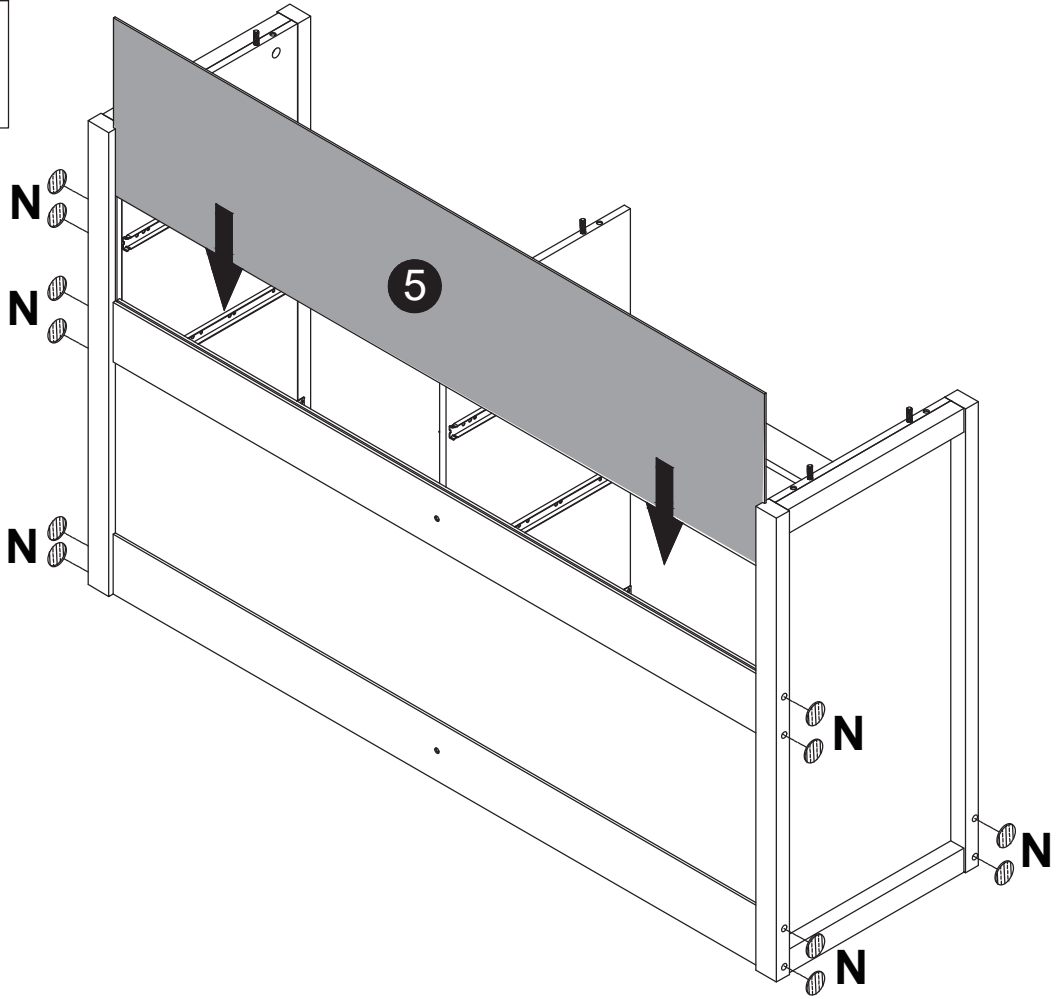
Ø5x50mm



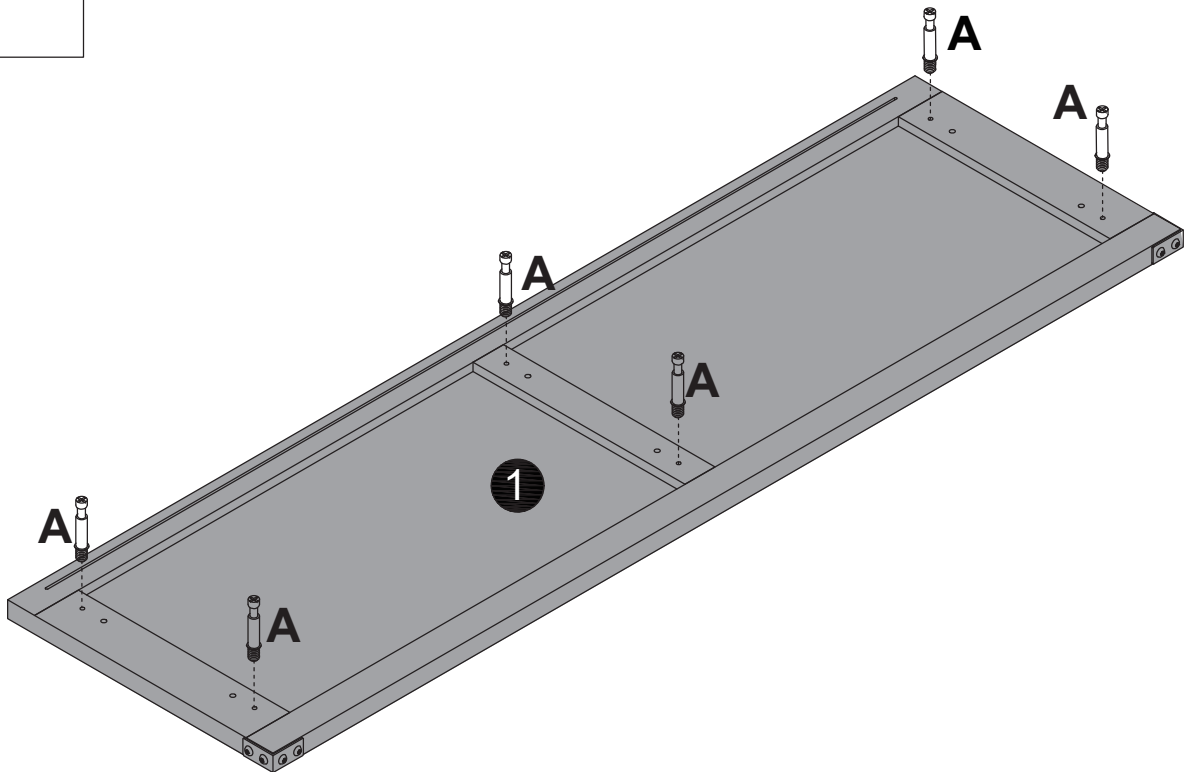
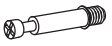
M



N x12



A x6

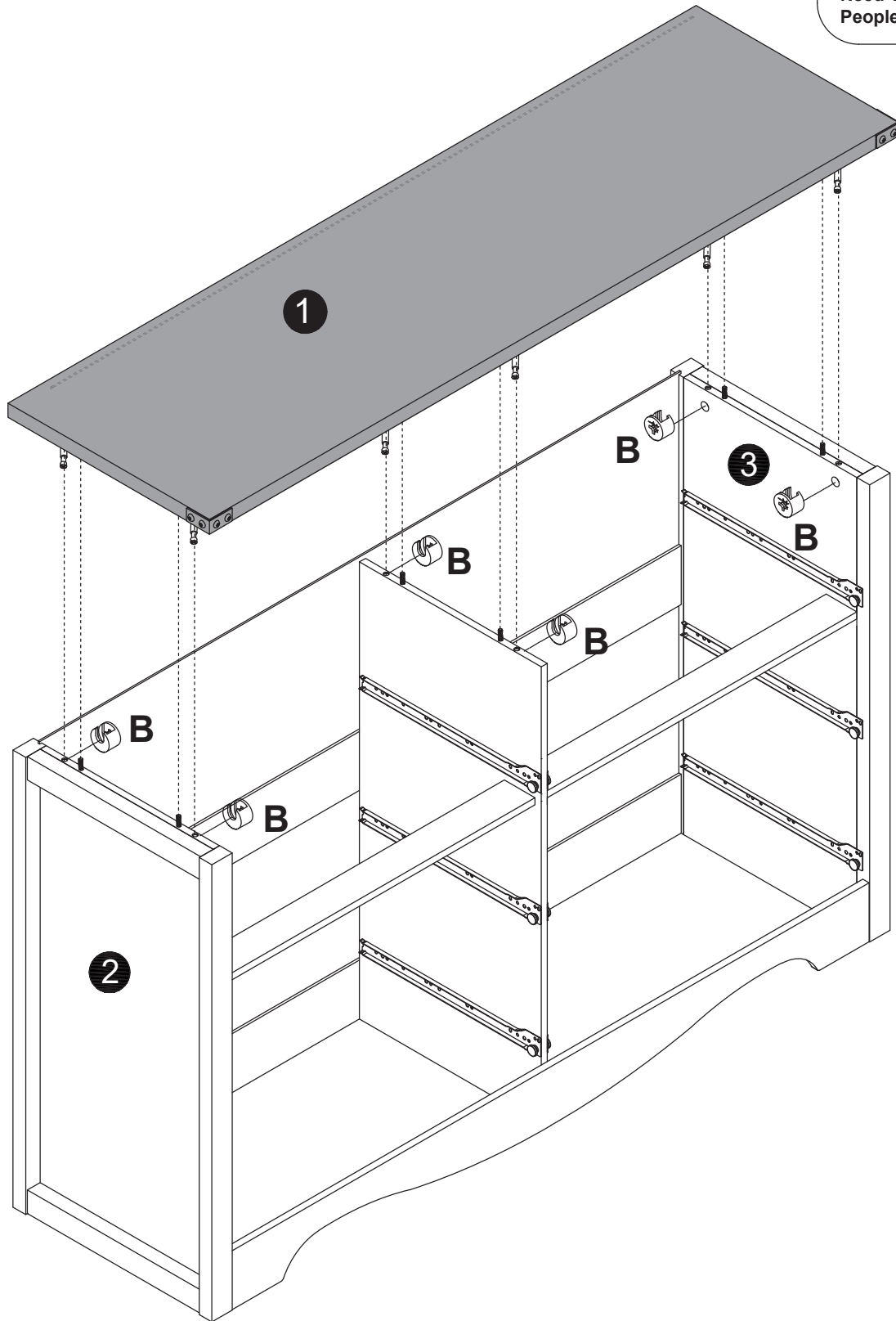
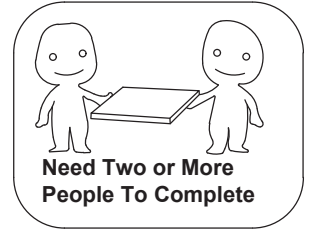


B x6



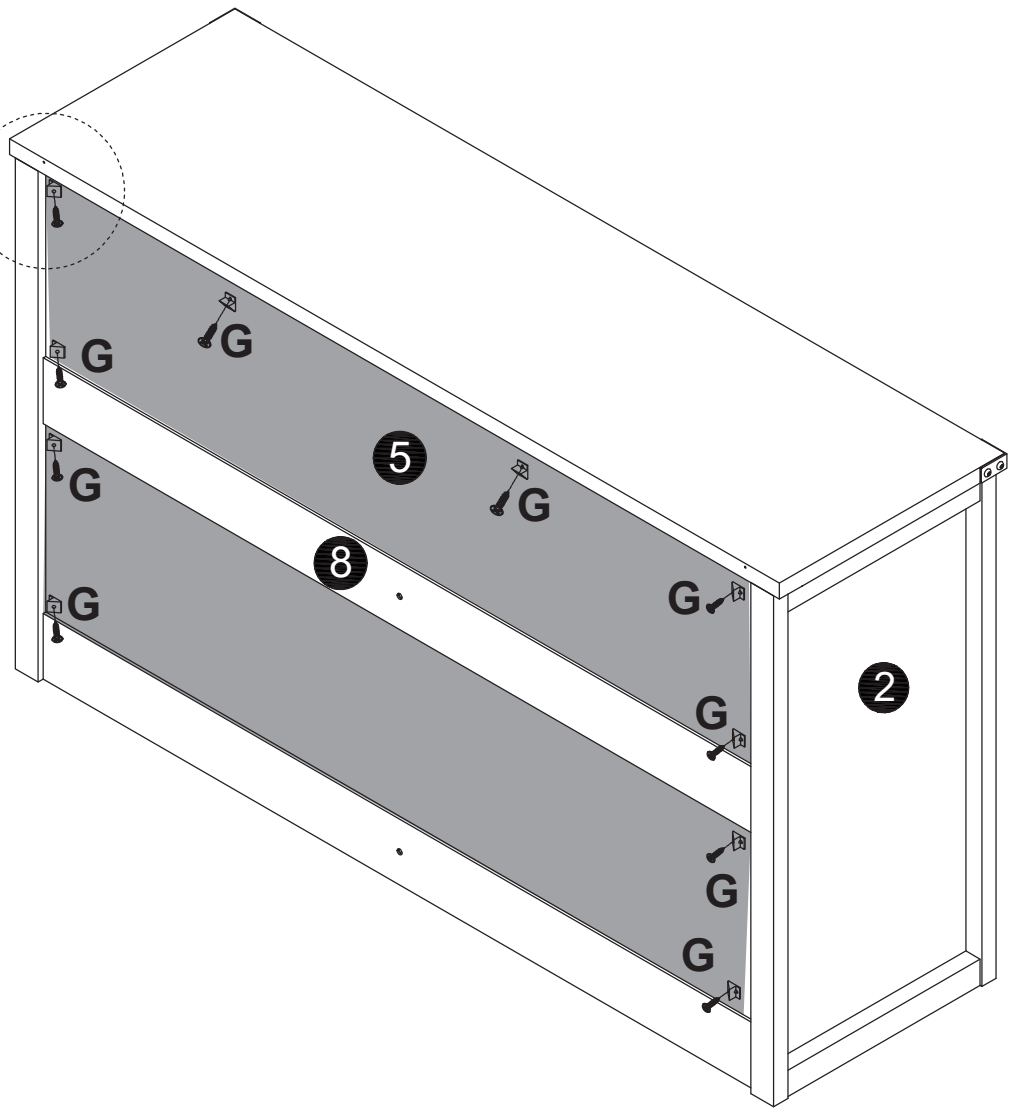
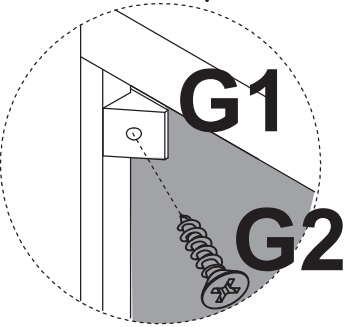
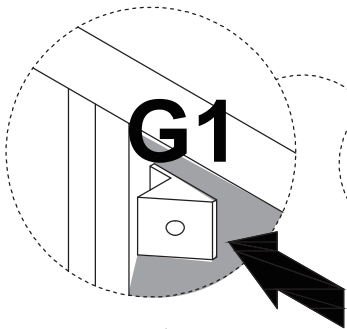
Note: At least two people are required for this step.

19

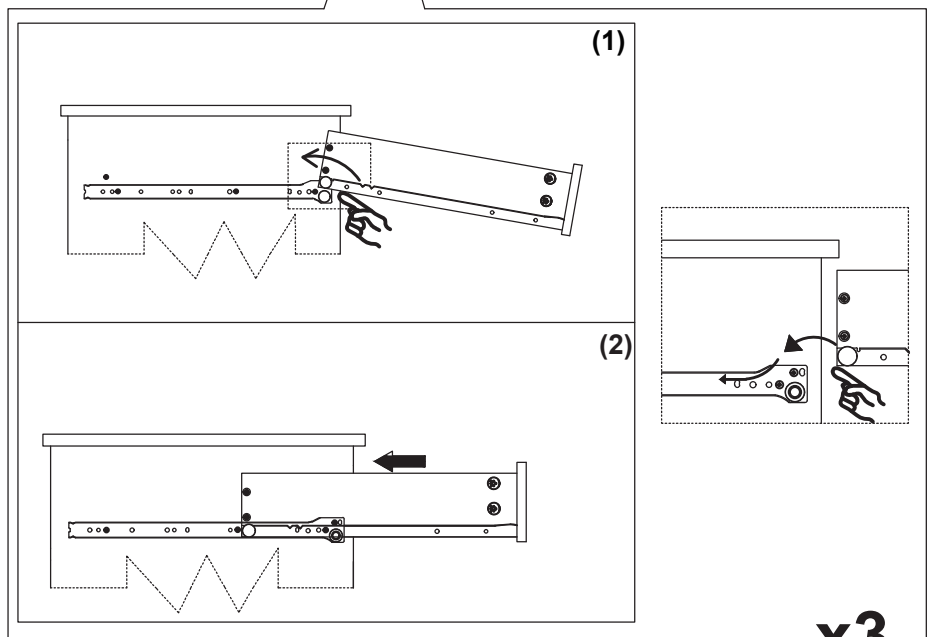
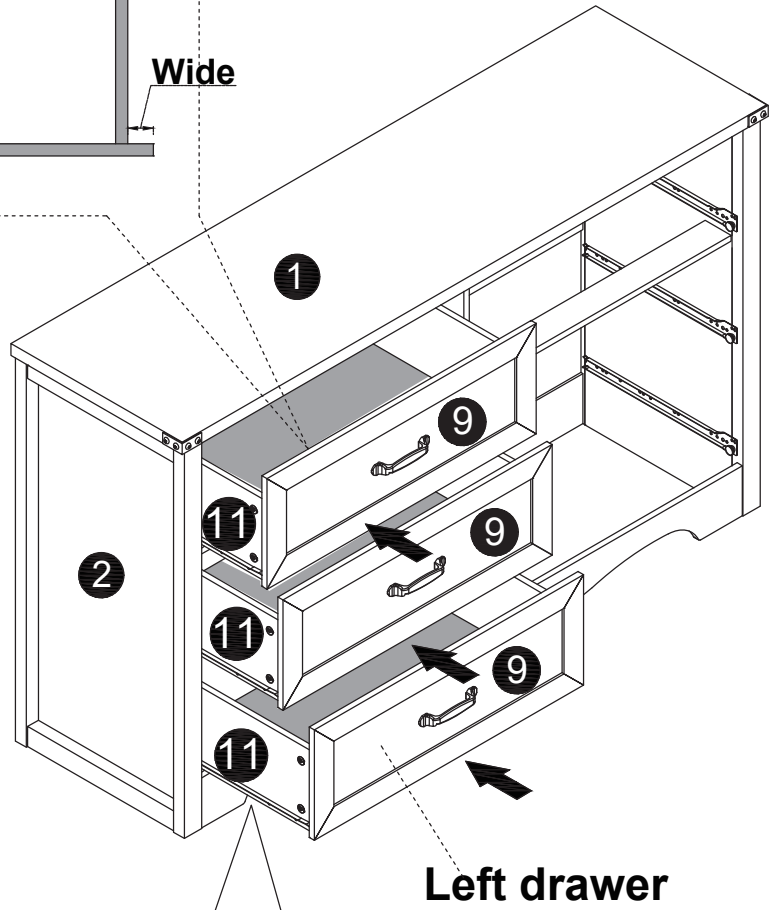
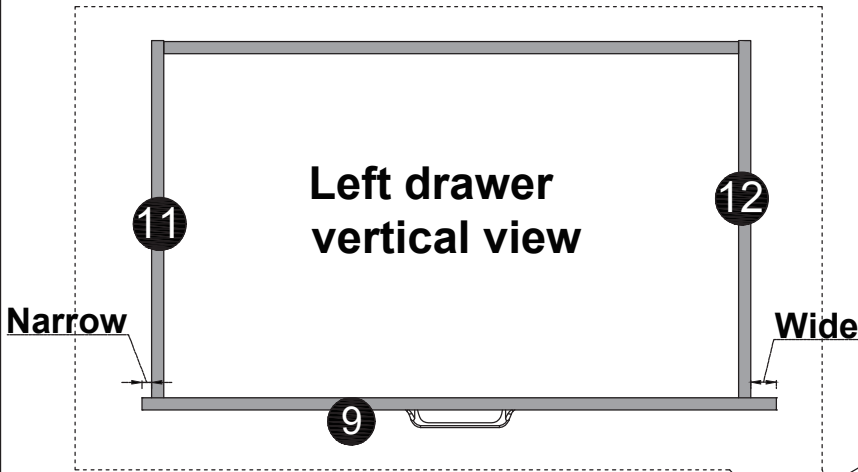


G x10

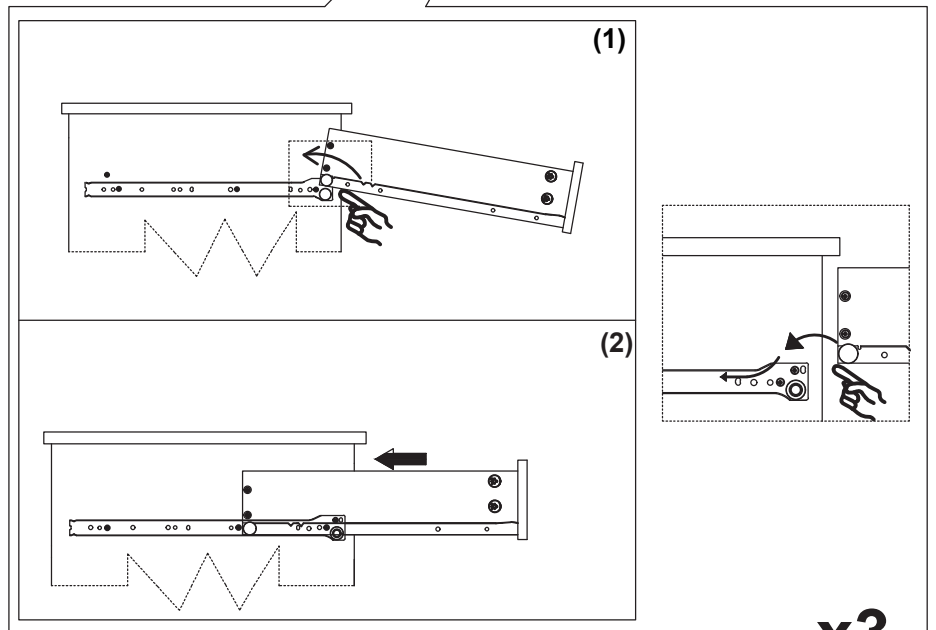
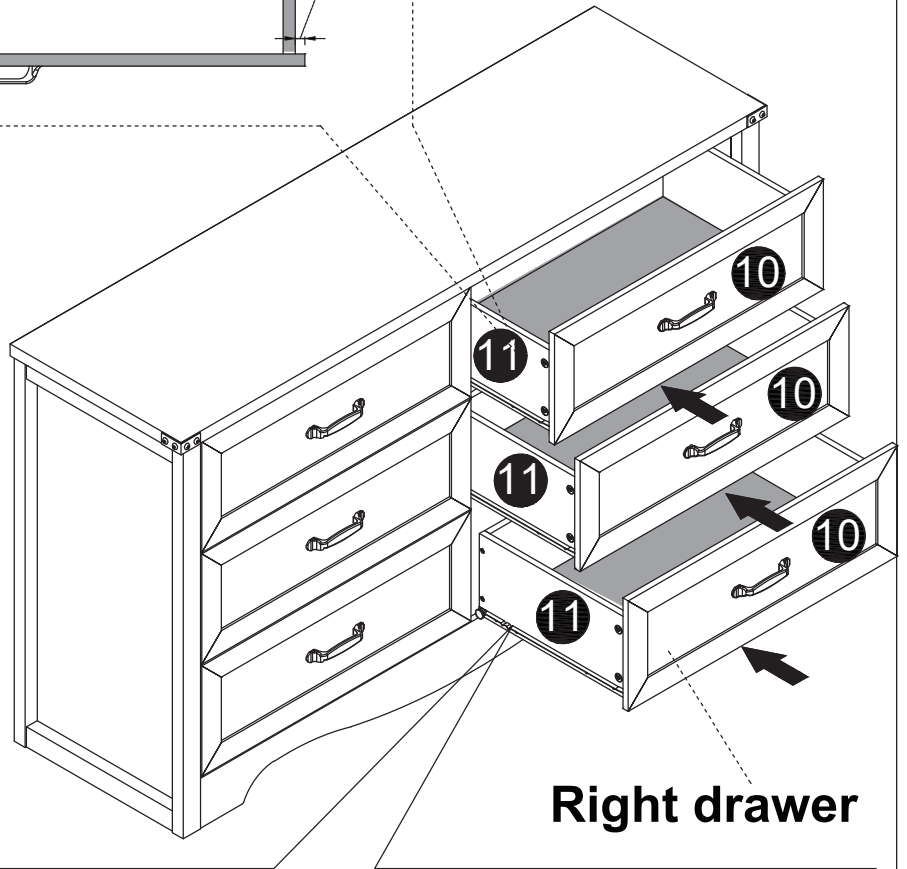
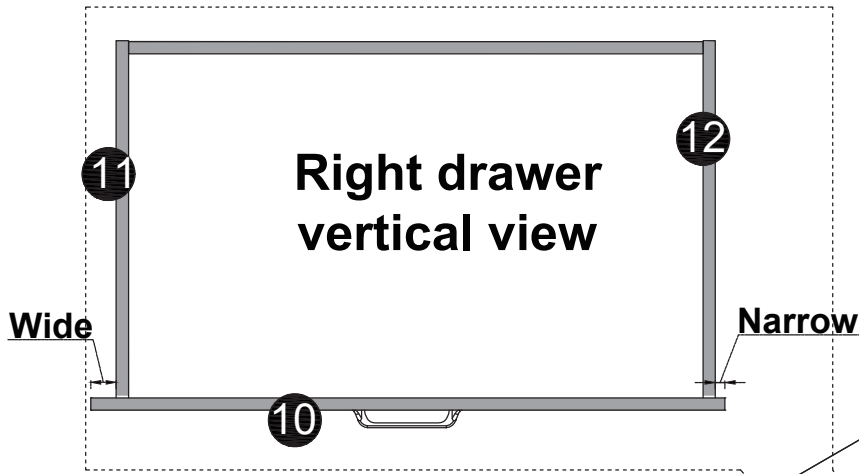
G1



**Attention:** The drawer is divided into a 9th left drawer and a 10th right drawer. The diagram shows three 9th left drawers installed in the cabinet.



**Attention:** The drawer is divided into a 9th drawer on the left and a 10th drawer on the right. The diagram shows three 10th drawers installed in the cabinet.



D x2



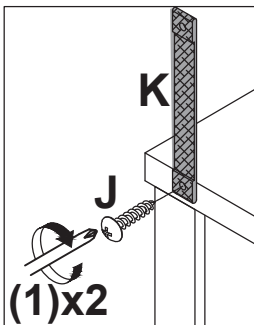
L x2



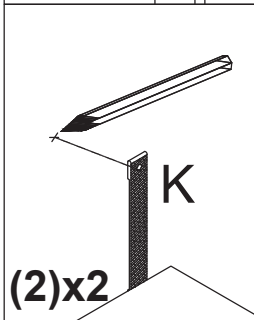
J x2



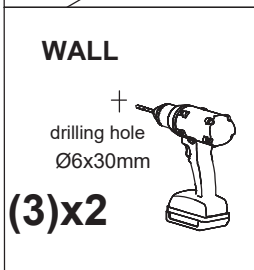
K x2



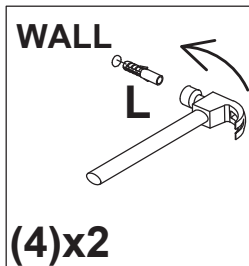
First fix the anti-rewind screw in the reserved hole of the product.



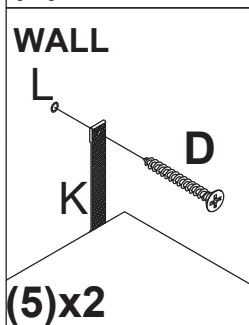
then, use a ruler to measure the approximate height of the product on the wall, and then mark it with a pen.



Then use a tape drill to make holes in the wall that are suitable for the product screws.



Then, put the expansion bolt into the hole



Finally, pass the matching screws through the "anti-rewind" and tighten them to fix them on the wall.

