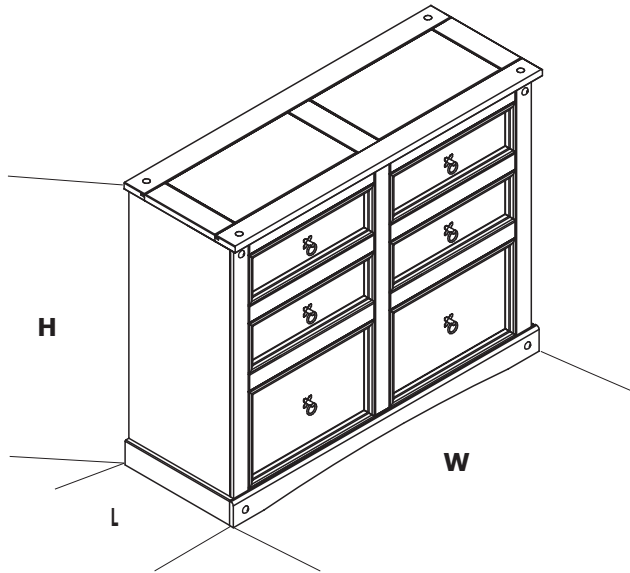


Assembly Instructions



Assembled Dimensions

L Length : 48cm

W Width : 130cm

H Head Height : 104cm

PLEASE NOTE : CHECK ALL PARTS BEFORE ASSEMBLING
ONCE ASSEMBLED THIS ITEM CANNOT BE RETURNED UNDER THE APPROVAL GUARANTEE
THIS PRODUCT IS BUILT VERTICALLY - PLEASE BUILD WHERE IT WILL BE USED.

Follow Me

- FIRST: Check that the assembled product size will fit in its required location. Take into account ceiling height clearance & door frame widths, if the unit is not being assembled close to its final location
- SECOND : Check that you have enough floor area to complete the assembly
- THIRD: Retain your packaging until you have checked that ALL the parts are in the packs.
- FOURTH :Sort out the parts and fittings as shown, assemble product step by step
- It is preferable to rest the product on a soft surface to avoid damage during assembly
- Do not over tighten screws and fittings.
- Re-Tighten all screws and fitting periodically.

Guide Me

Multi-Pack Table
 COMPONENT Pack NO

BOX: 1 / 1

- FITKIT

- AI
- LEFT SIDE PANEL = 1x
- RIGHT SIDE PANEL = 1x
- BOTTOM = 1x
- DRAWER RUNNER = 6x
- BASEBOARD = 2x
- FRONT BASEBOARD = 1x
- TOP PANEL = 1x
- BACK PANEL = 2x

- BACK STRUT = 1x
- HIGH DRAWER FRONT = 2x
- HIGH DRAWER SIDE = 4x
- HIGH DRAWER BOTTOM = 6x
- HIGH DRAWER BACK = 2x
- DRAWER BACK = 4x
- DRAWER FRONT = 4x
- DRAWER SIDE = 8x
- CENTRE RUNNER = 3x
- LEFT LIZENE = 1x
- RIGHT LIZENE = 1x

- UPPER CROSSBEAM = 2x
- MIDDLE CROSSBEAM = 4x
- CROSSBEAM VERTICAL = 1x

Replacement packs cannot be provided without Component pack number and the part number / description

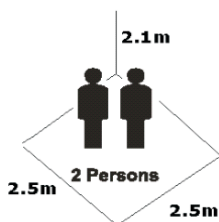
Approx Assembly Time



Preparation
Floor Space 2.5 x 2.5m
Height 2.1m

Show Me

No of People to Assemble



TOOLS REQUIRED

Tape Measure



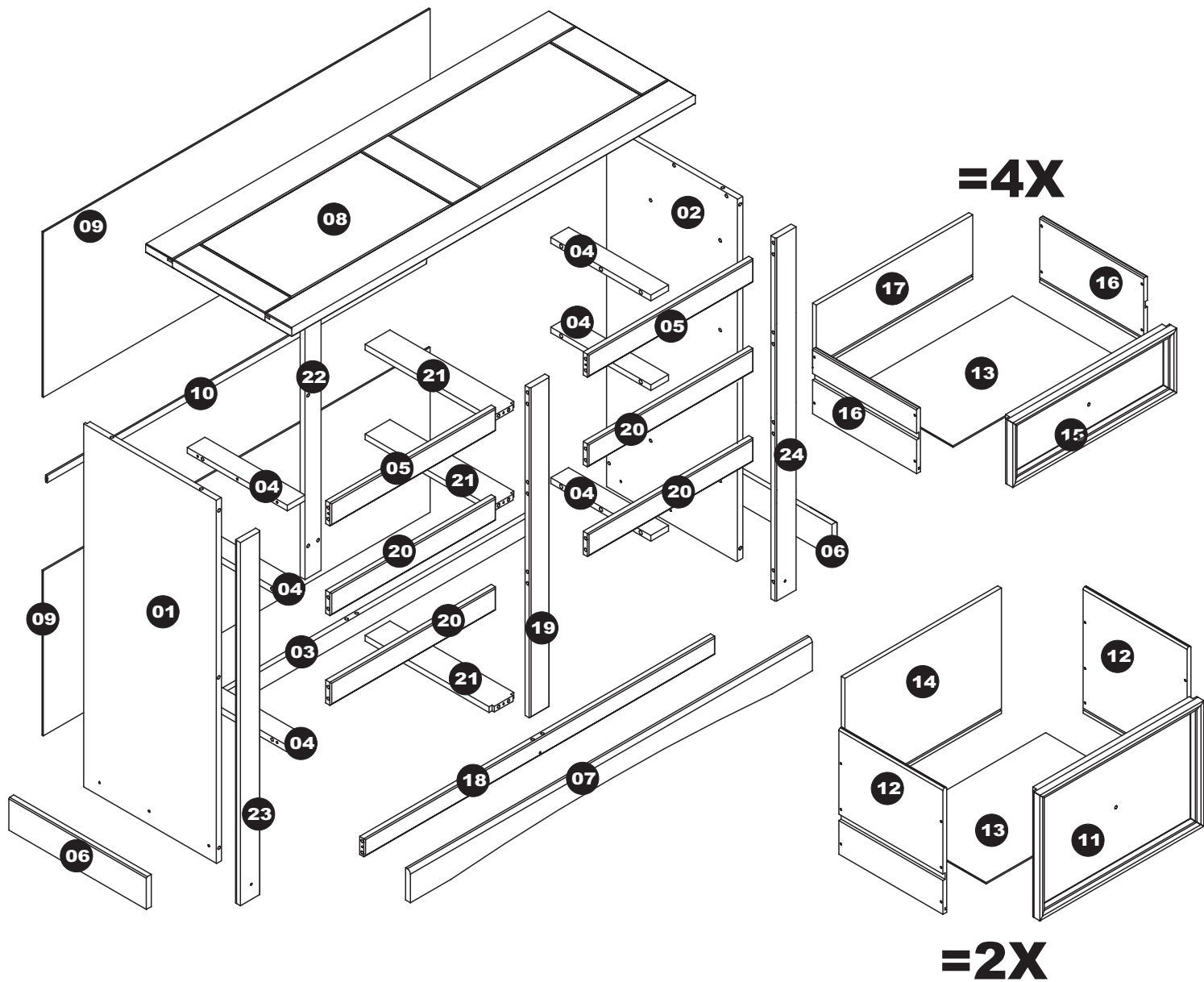
Pozi No 2


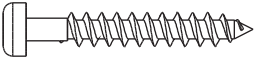



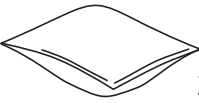





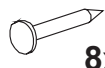
Recycling- the packaging materials for this product may be recycled through your local recycling centre. When you want to dispose of the product it self, please consider donating it to a local charitable organization, otherwise recycle it through your local recycling centre.

IMPORTANT: READ CAREFULLY AND RETAIN FOR FUTURE REFERENCE

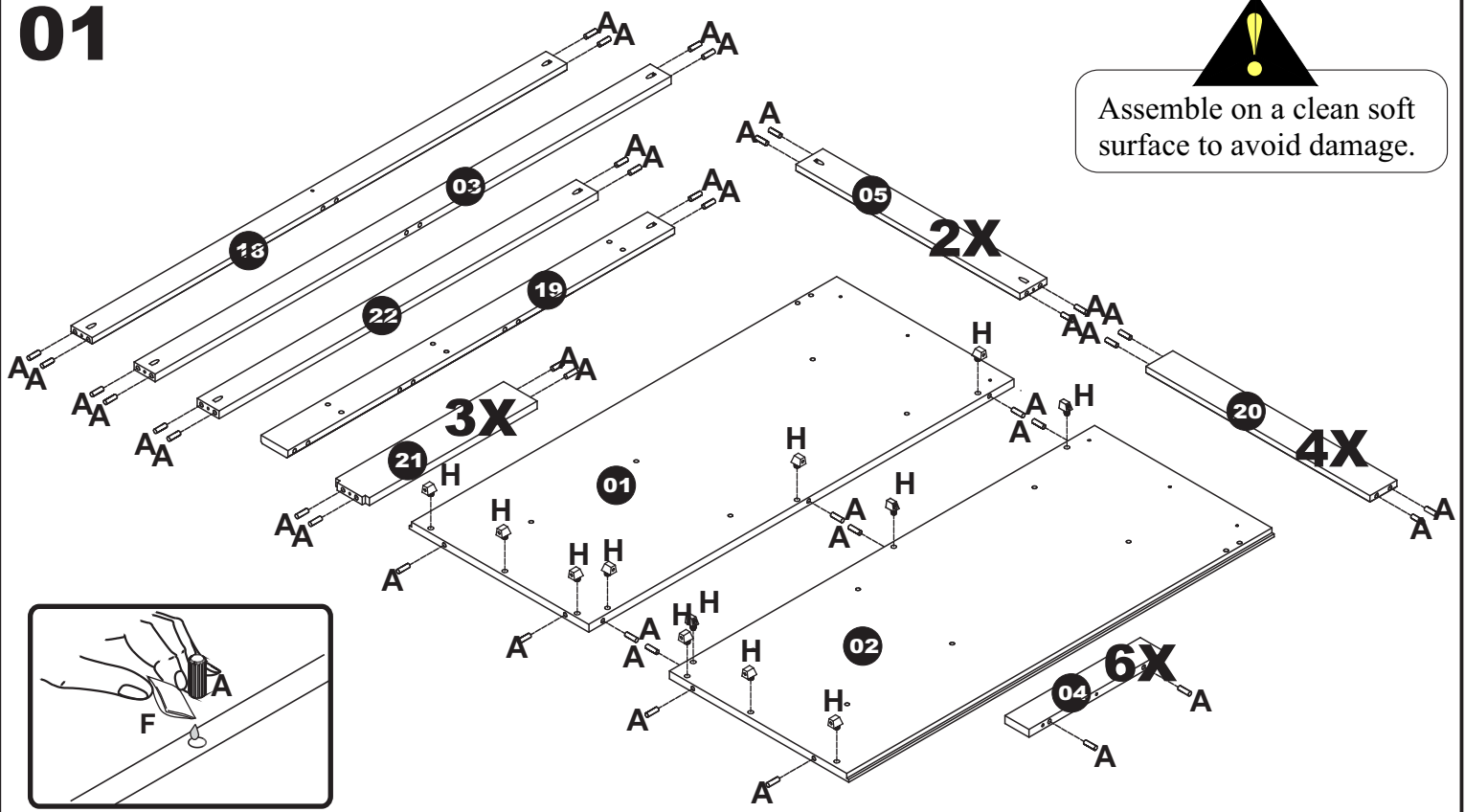
Please refer to the "Hometime" care leaflet enclosed for information regarding the maintenance and use of your product.
 For Domestic Use Only



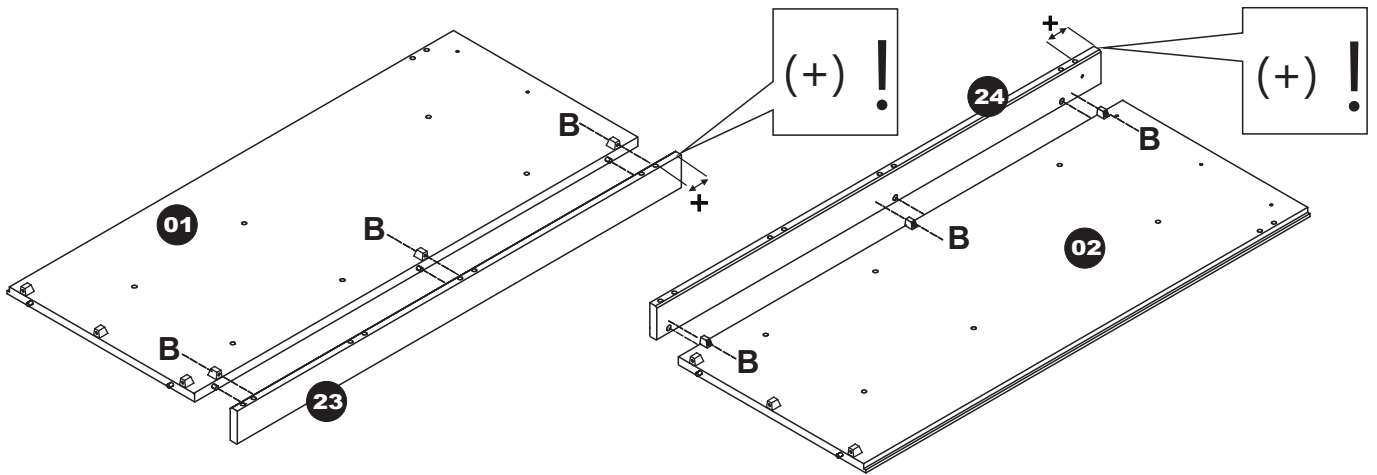
| | | |
|----------|---|-----------|
| A |  8,0x25 | 72 |
| B |  4,5X28 | 48 |
| C |  3,5X30 | 56 |
| D |  3,5X25 | 10 |
| E |  | 06 |
| F |  20g | 01 |

| | | |
|----------|--|-----------|
| G |  | 01 |
| H |  | 12 |
| J |  | 08 |
| Z |  8x8 | 24 |

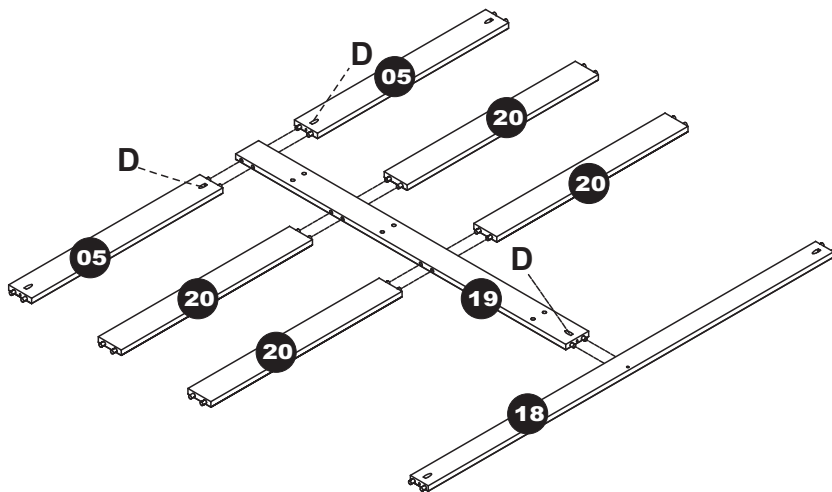
01



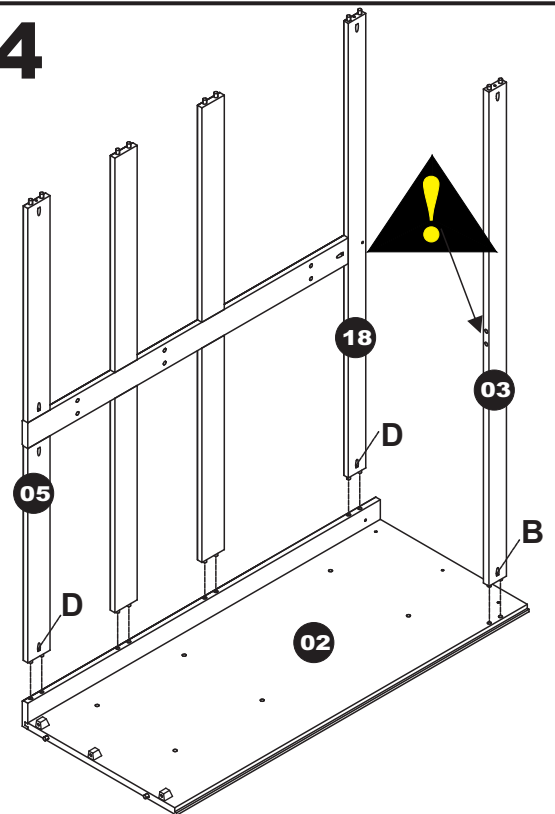
02



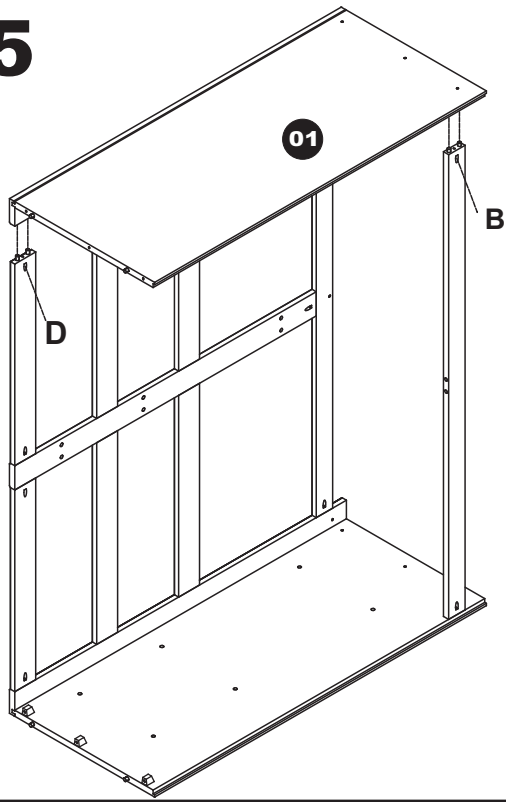
03



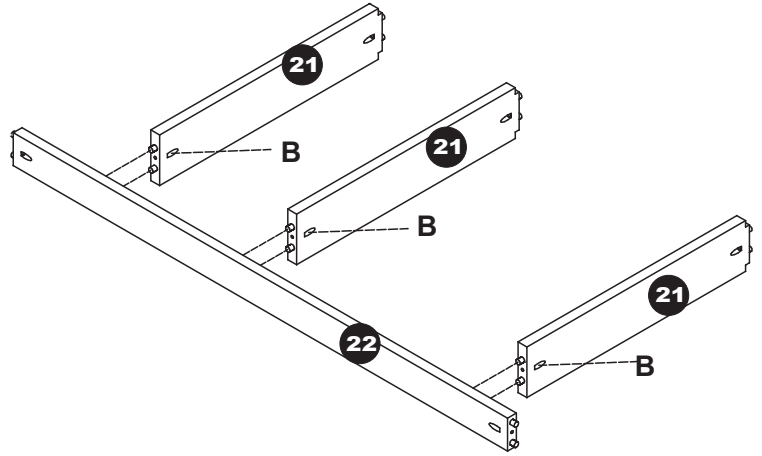
04



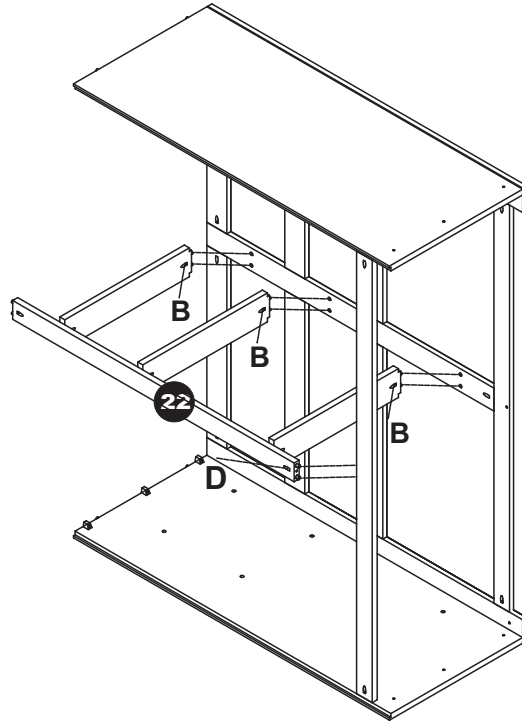
05



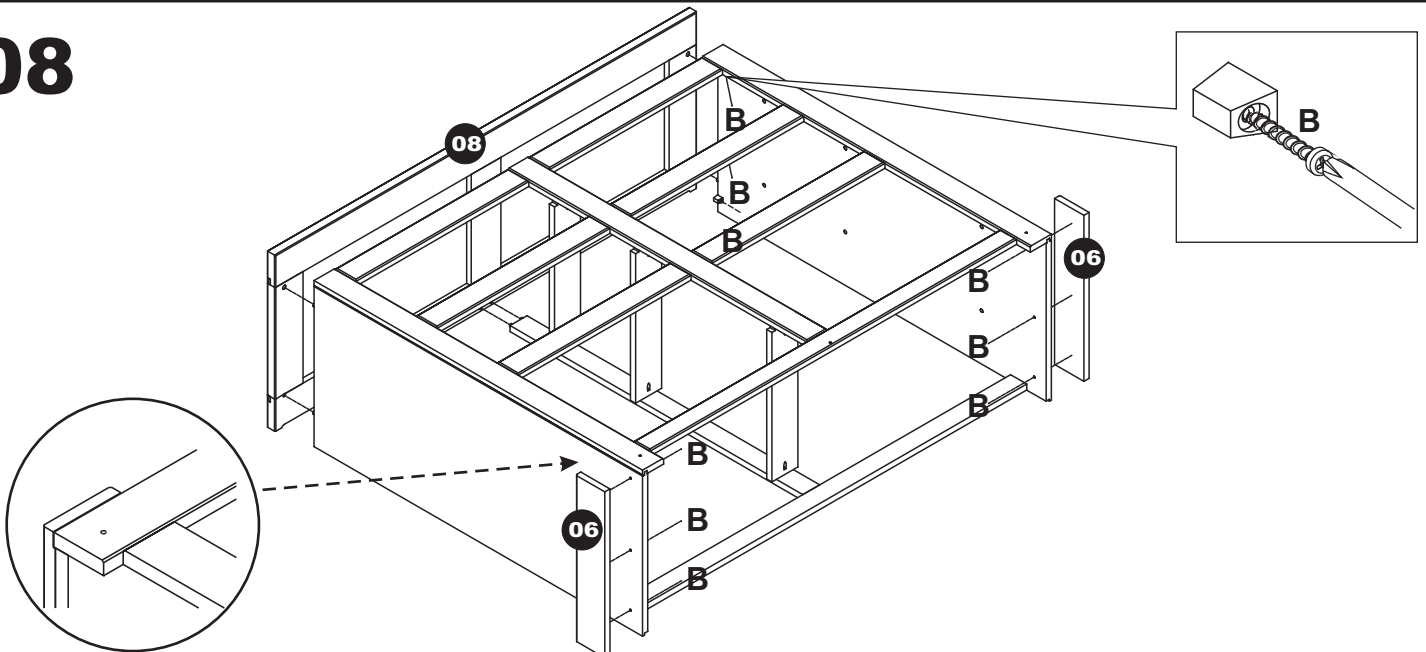
06



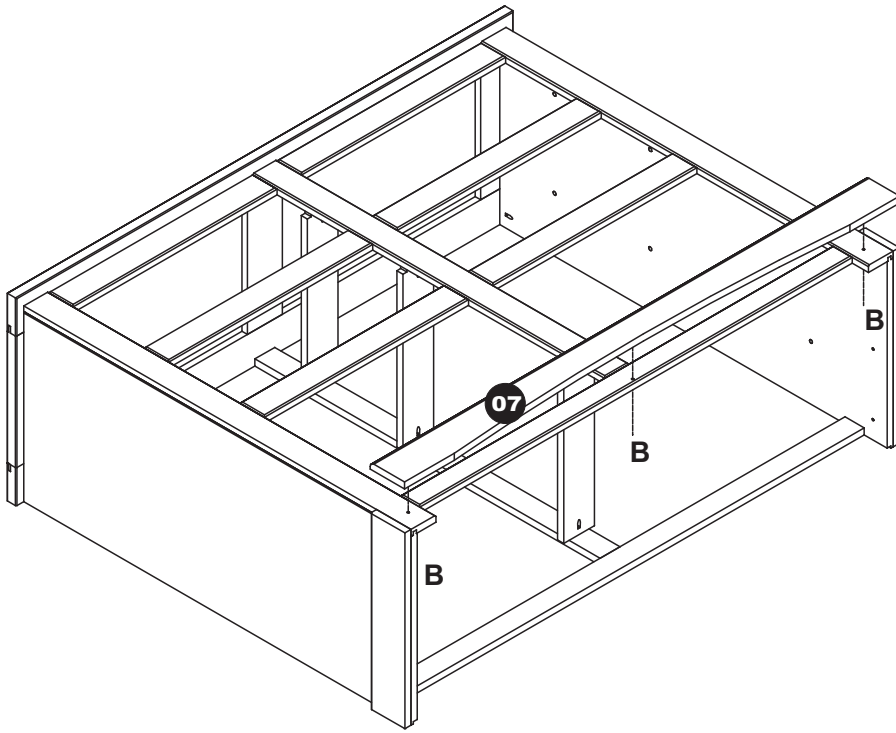
07



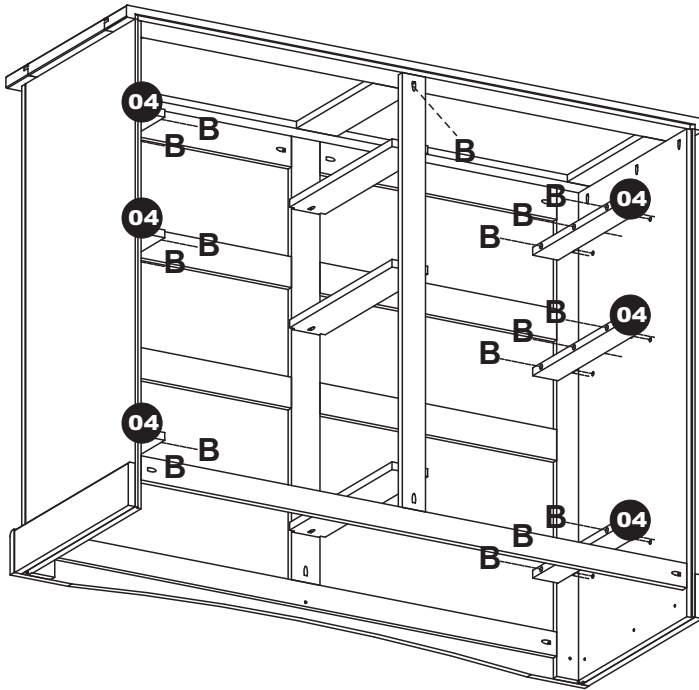
08



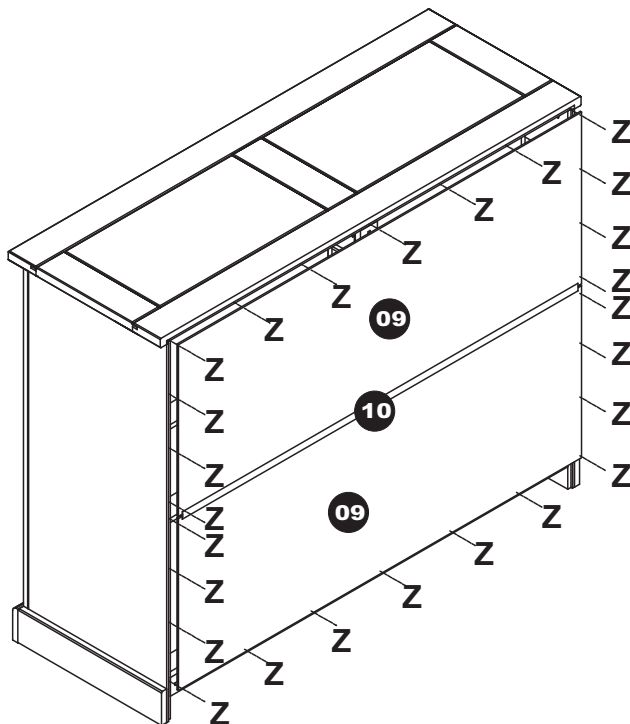
09



10

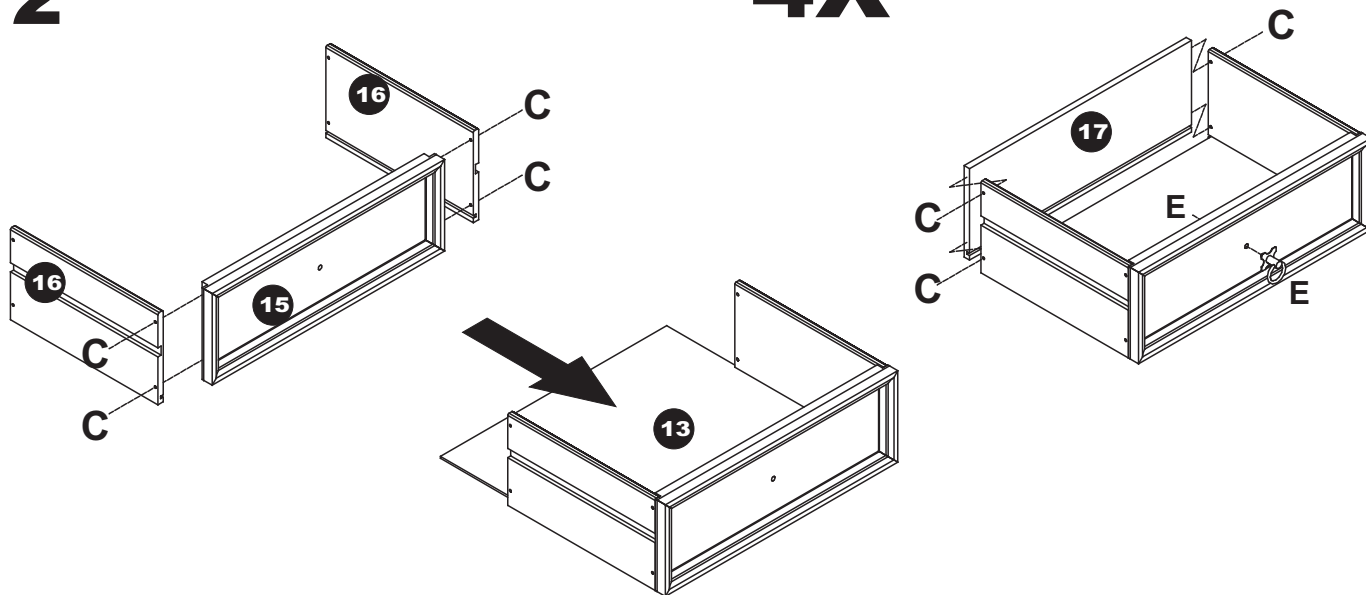


11



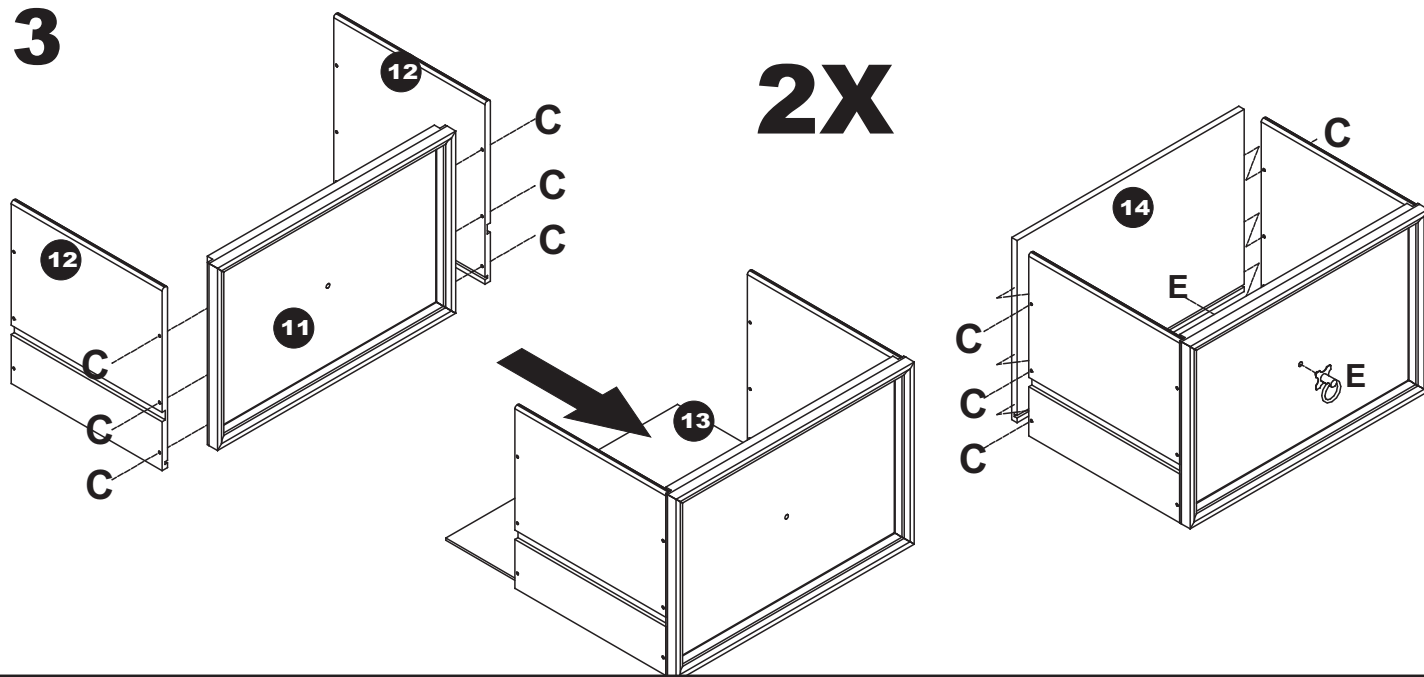
12

4X



13

2X



14

