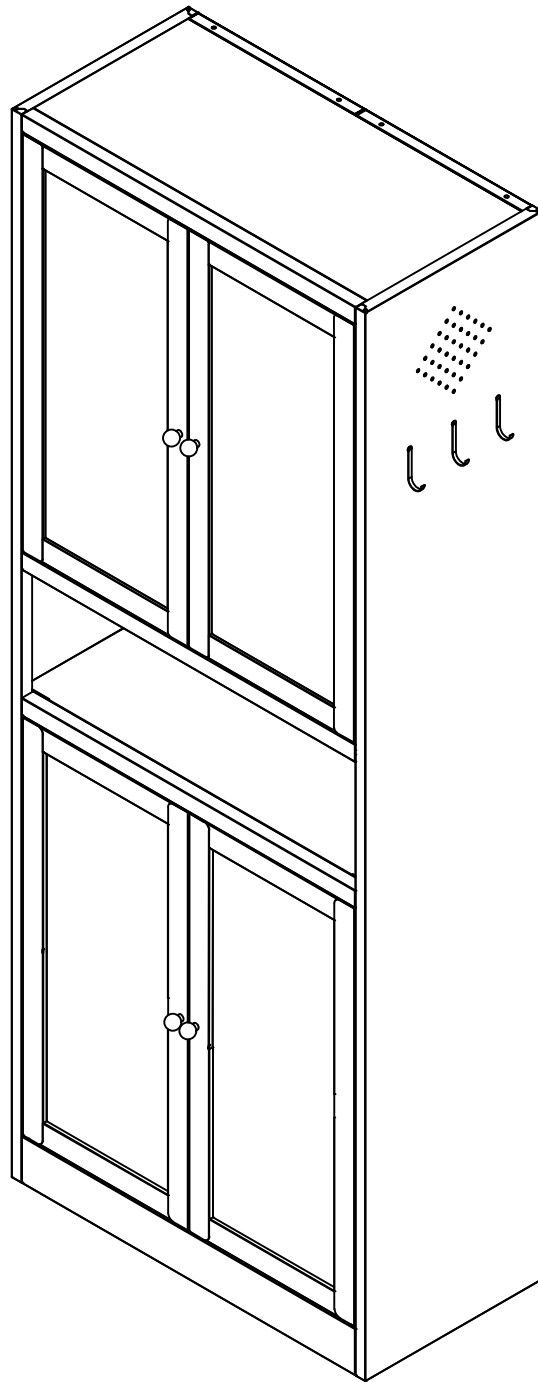
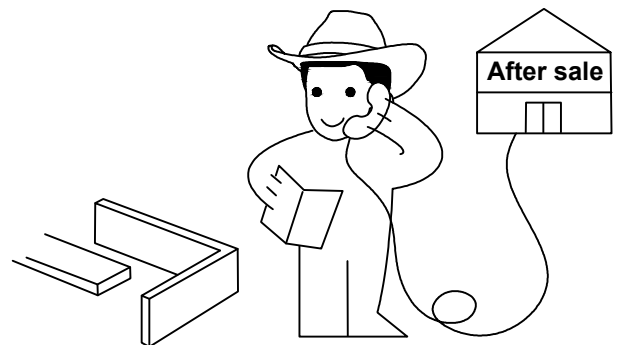
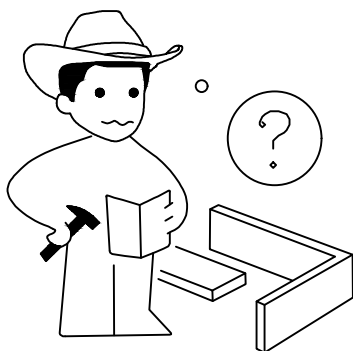
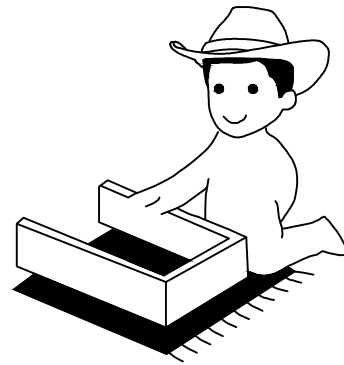
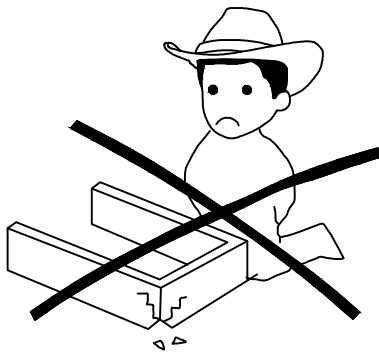
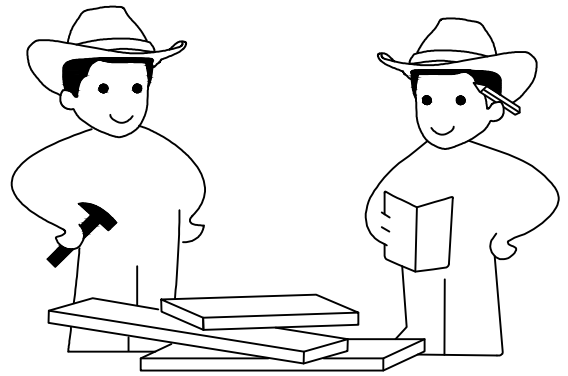
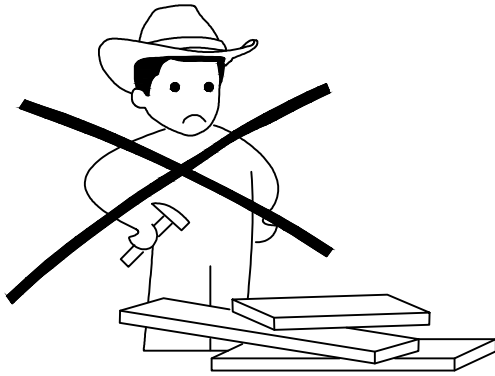
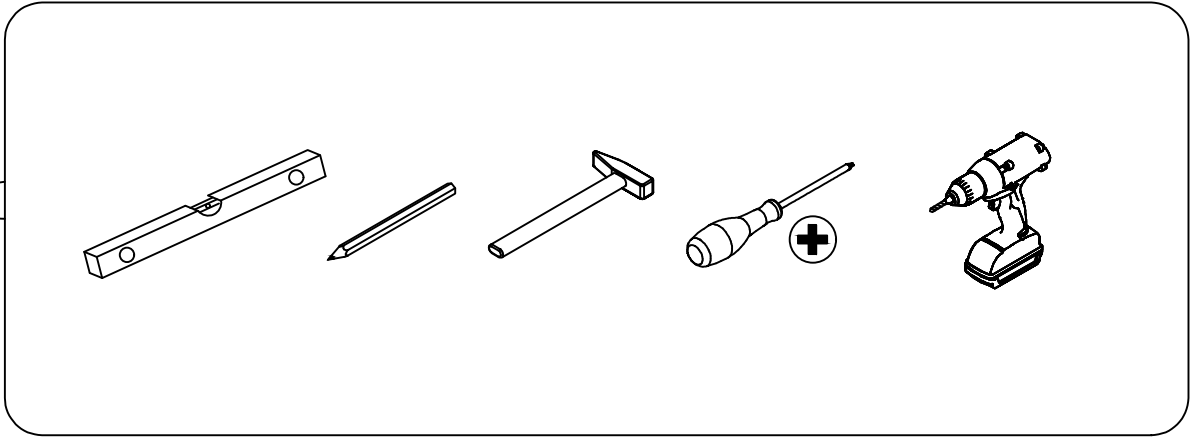
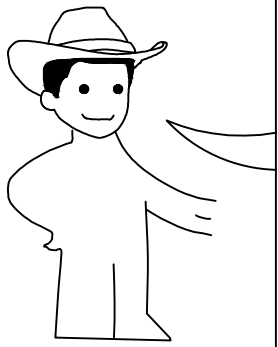
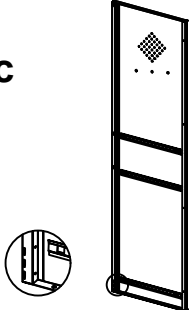
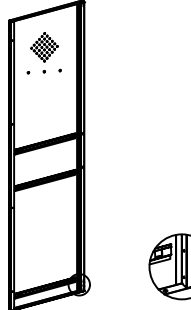
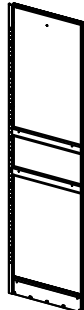
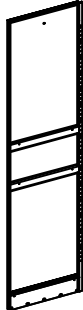
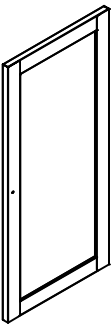
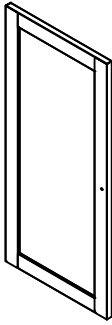
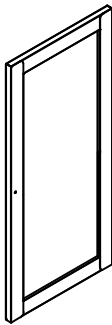
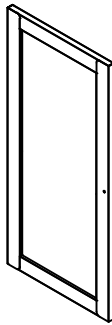


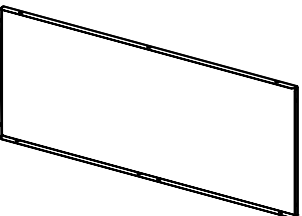
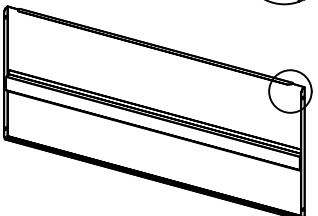

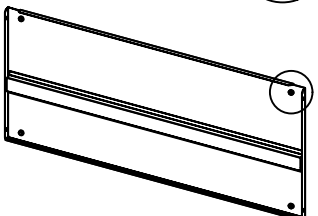
# Installation & Assembly


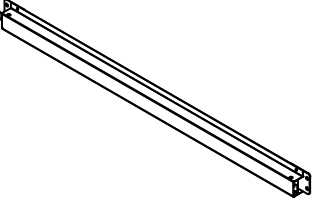
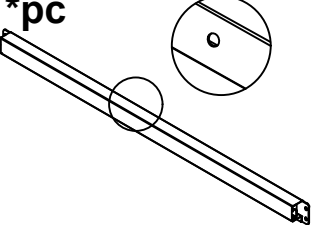



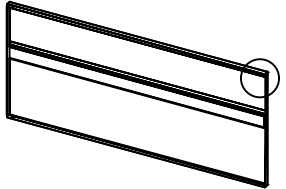
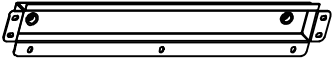


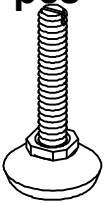

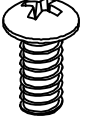
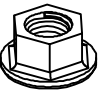


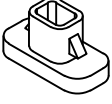
<p>1x 1*pc</p> 	<p>2x 1*pc</p> 	<p>3x 1*pc</p> 	<p>4x 1*pc</p> 
--	---	--	---

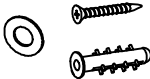
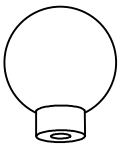
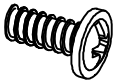


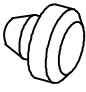
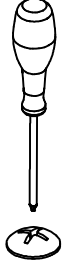

<p>5x 1*pc</p> 	<p>6x 1*pc</p> 	<p>7x 1*pc</p> 	<p>8x 1*pc</p> 
--	--	---	--

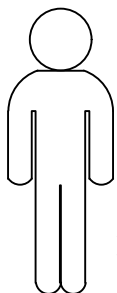
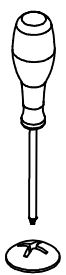
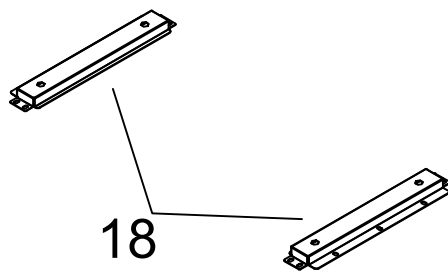
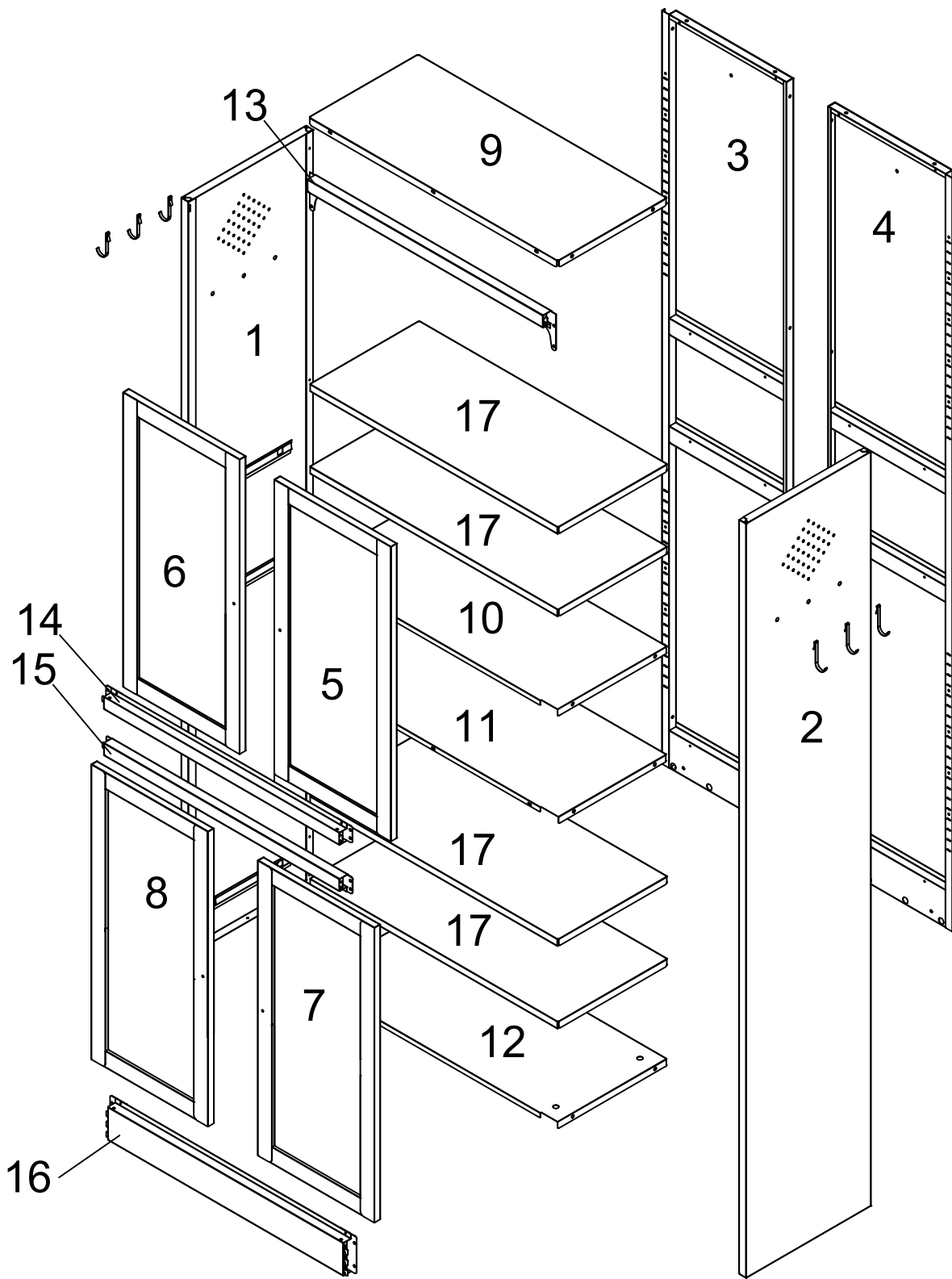
<p>9x 1*pc</p> 	<p>10x 1*pc</p> 	<p>11x 1*pc</p> 	<p>12x 1*pc</p> 
--	--	---	--

<p>13x 1*pc</p> 	<p>14x 1*pc</p> 	<p>15x 1*pc</p> 	<p>16x 1*pc</p> 
--	---	--	---

<p>17x 4*pcs</p> 	<p>18x 2*pcs</p> 
--	--

<p>Ax 4*pcs</p> 	<p>Bx 60*pcs</p> 	<p>Cx 4*pcs</p> 	<p>Dx 4*pcs</p> 	<p>Ex 16*pcs</p> 	<p>Fx 4*pcs</p> 	<p>Gx 8*pcs</p> 
--	--	---	---	---	---	---

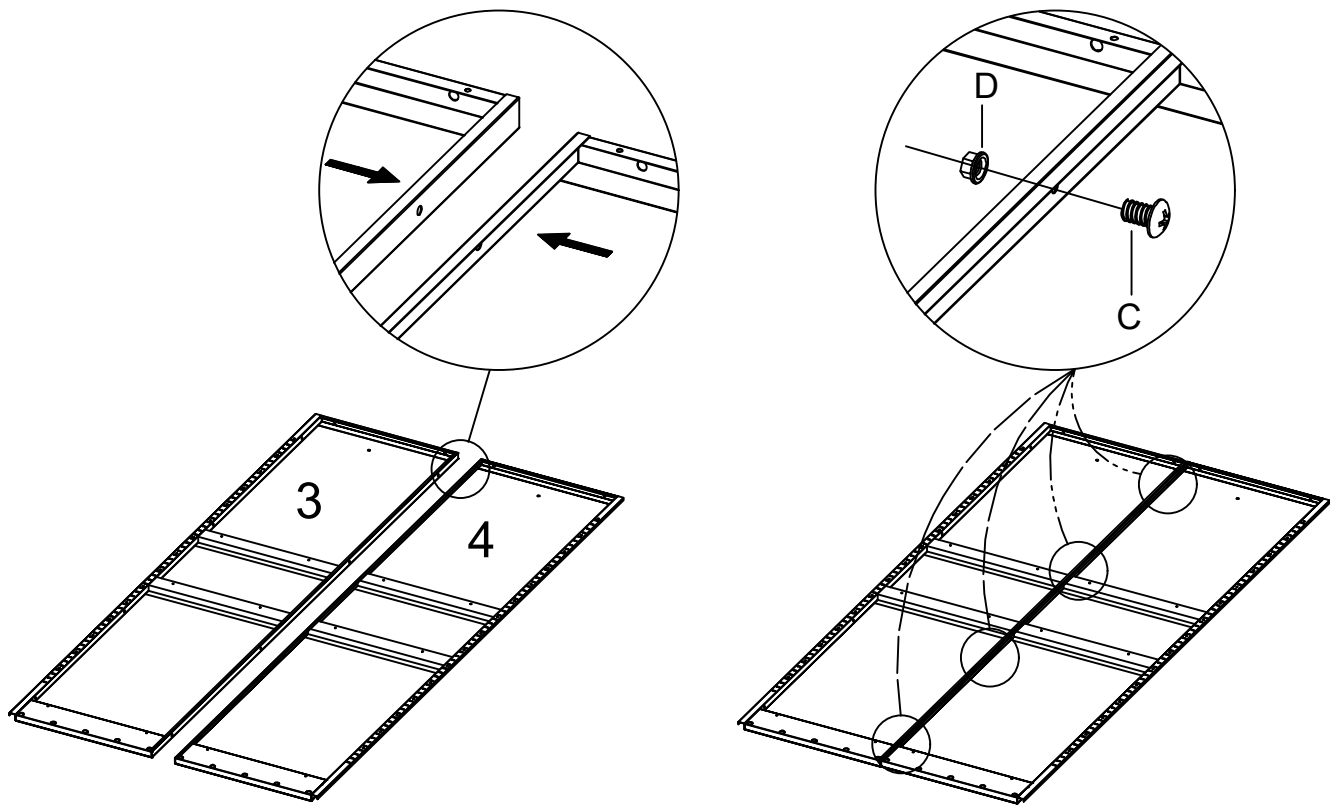
<p>Hx 2*pcs</p> 	<p>Ix 4*pcs</p> 	<p>Jx 4*pcs</p> 	<p>kx 2*pcs</p> <p>Standby Application</p> 	<p>Mx 6*pcs</p> 	<p>Nx 8*pcs</p> 		
--	---	---	--	--	---	---	---



×2

1

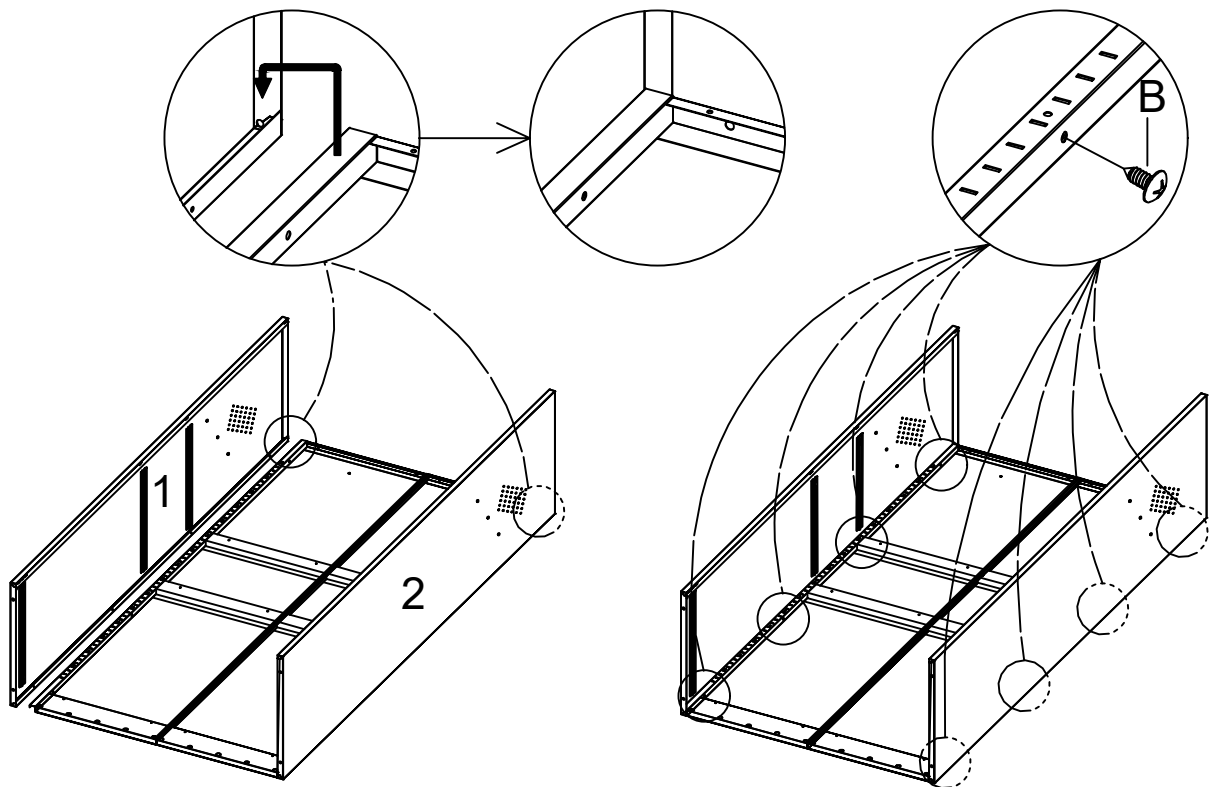
Put the two rear walls together and put four bolts and nuts to hold them in place.




Cx4  Dx4 

2

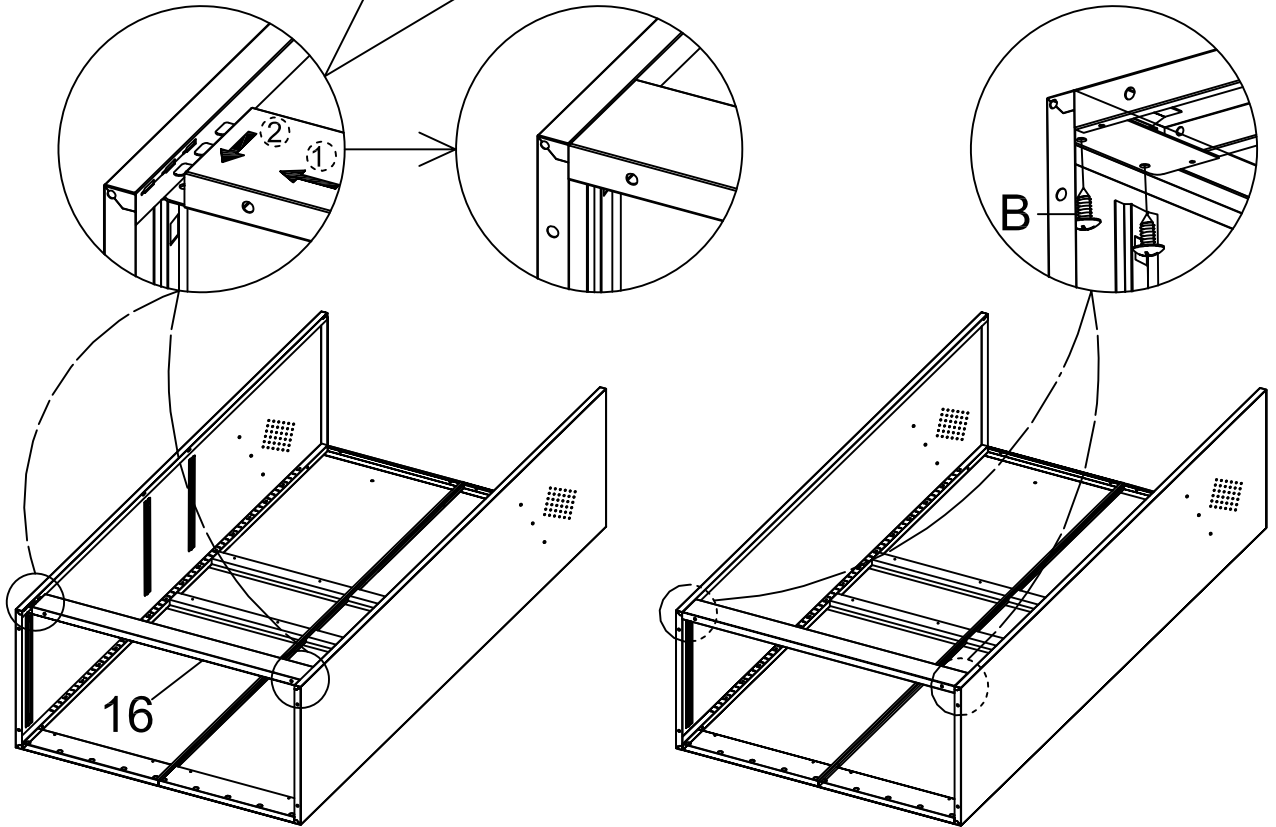
Simply overlap each sidewall in the channel of the rear wall and put four screws on each side to hold them in place.



Bx8 

3

Snap the three buckles on either side of Part 16 into the three holes in both side panels and then push it down so that it snaps into the bottom of the cabinet.

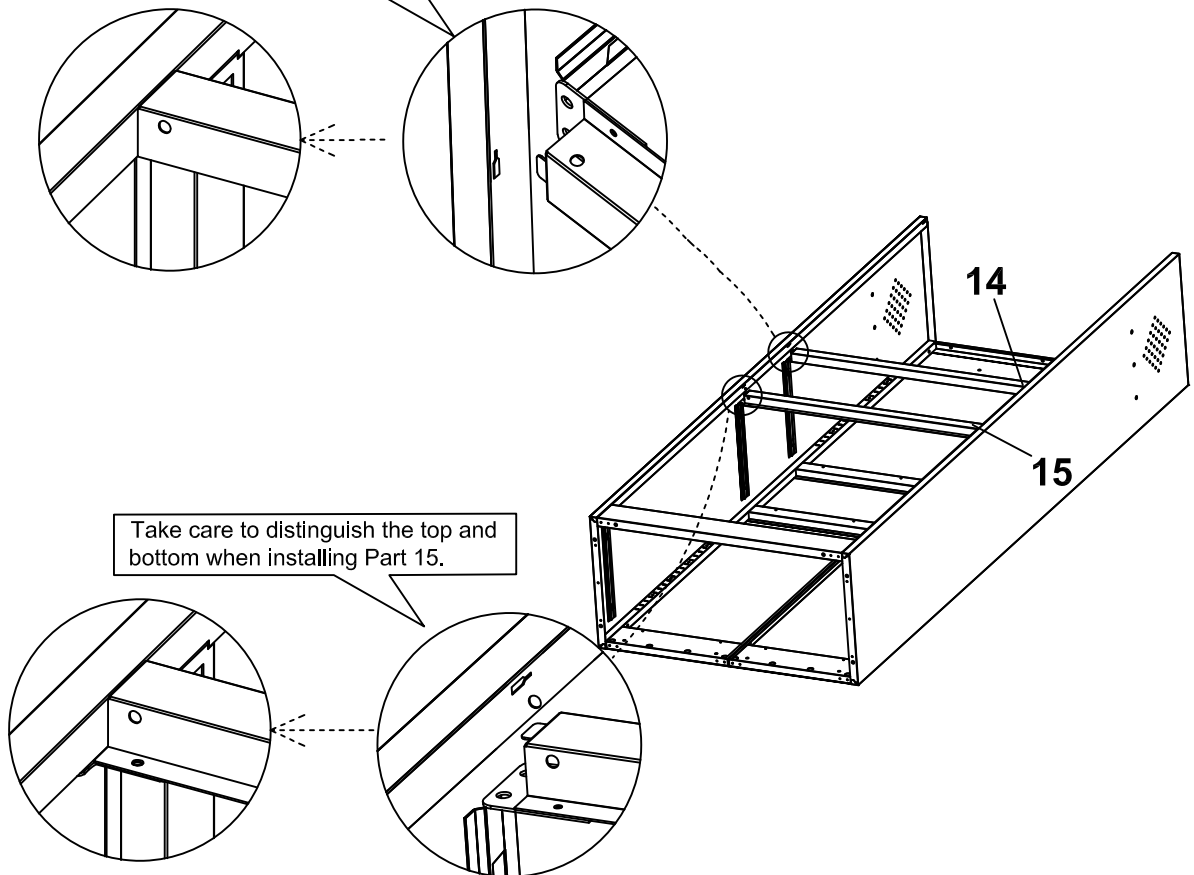


Bx4 

4

Take care to distinguish the top and bottom when installing Part 14

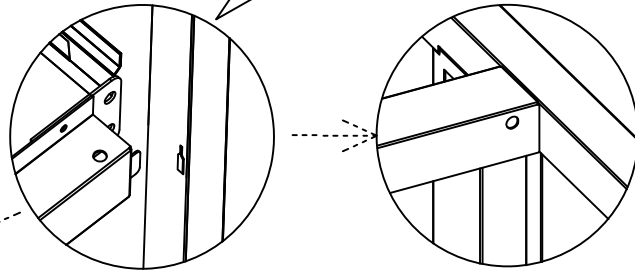
After both 14 and 15 are installed, they should be fixed with screws.



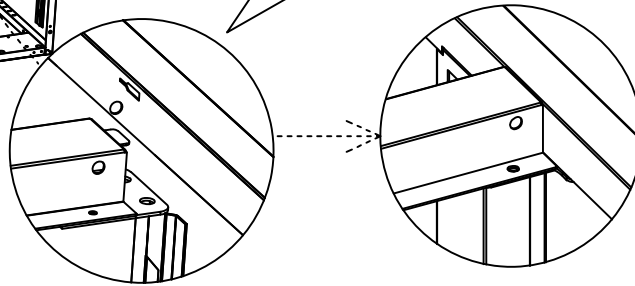
5


After both 14 and 15 are installed, they should be fixed with screws.

Take care to distinguish the top and bottom when installing Part 14



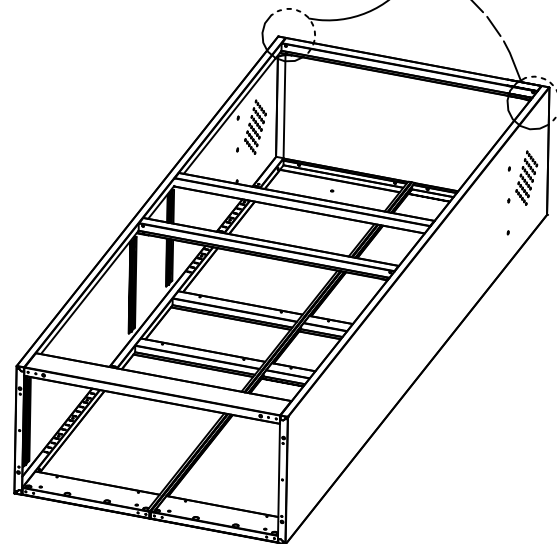
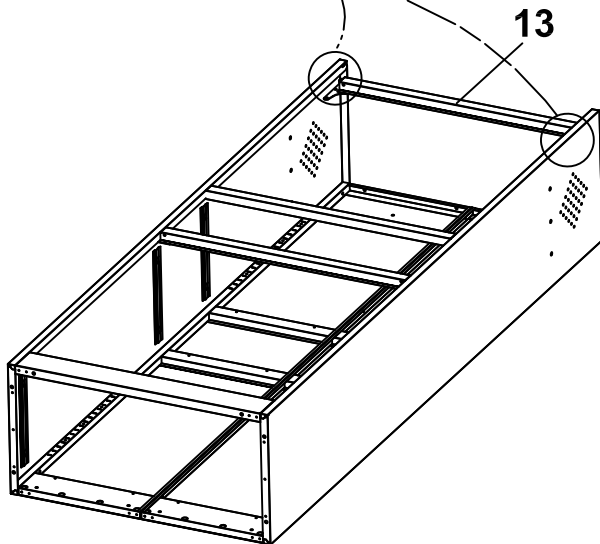
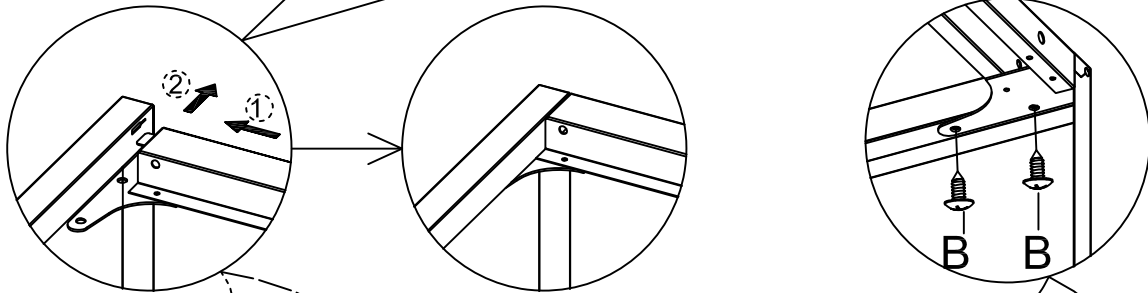
Take care to distinguish the top and bottom when installing Part 15.



Bx8 

6

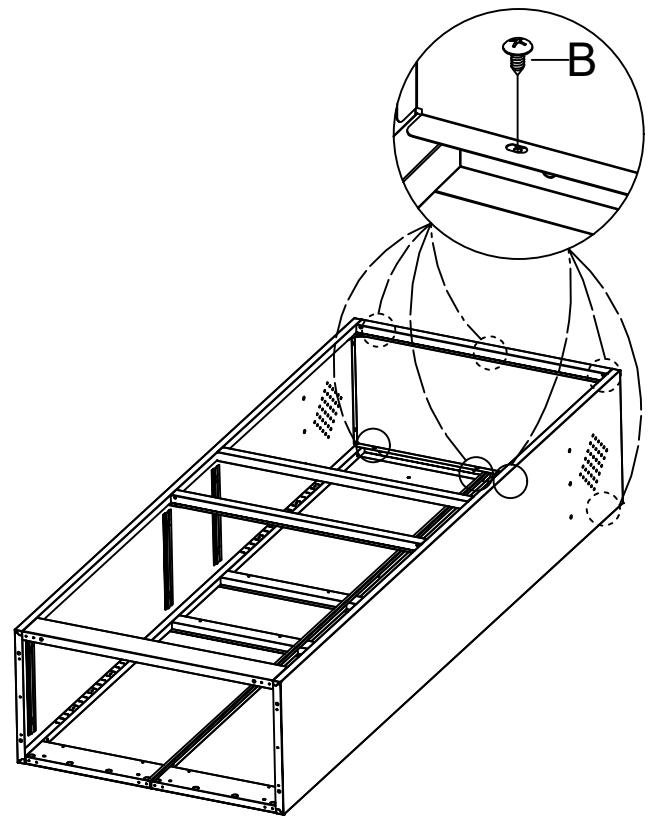
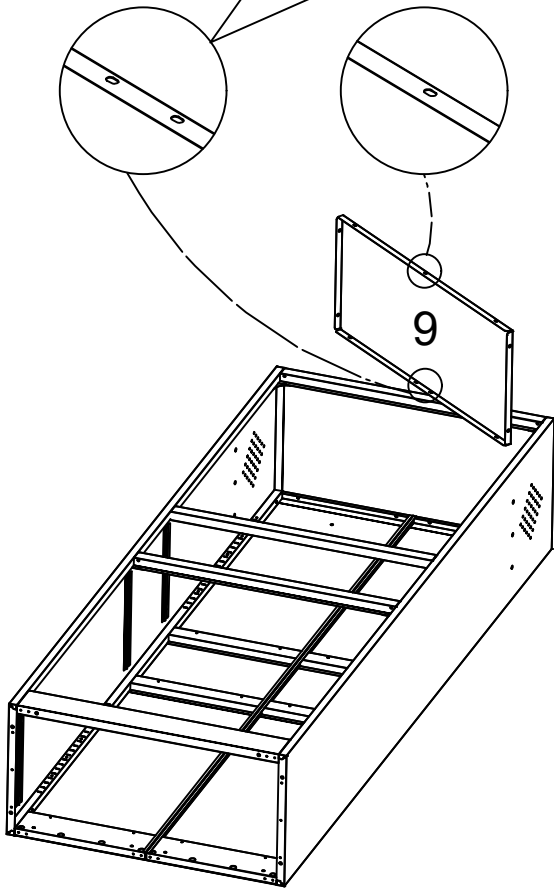
Snap the buckle on both sides of Part 13 into the hole in both side panels and push it up so that it snaps into the top of the cabinet.




Bx4 

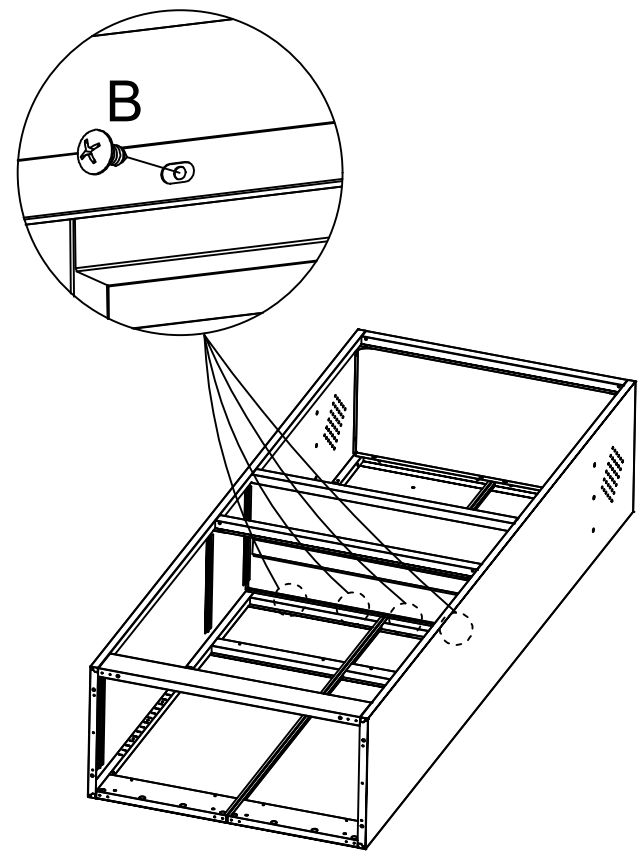
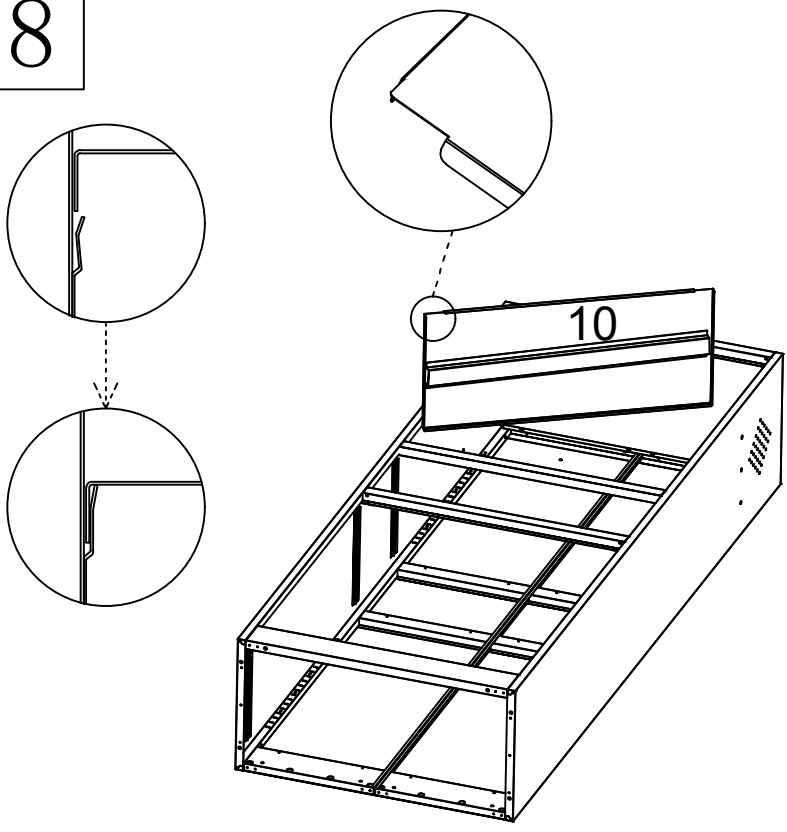
7


Part 9 has two holes on one side, facing the rear.



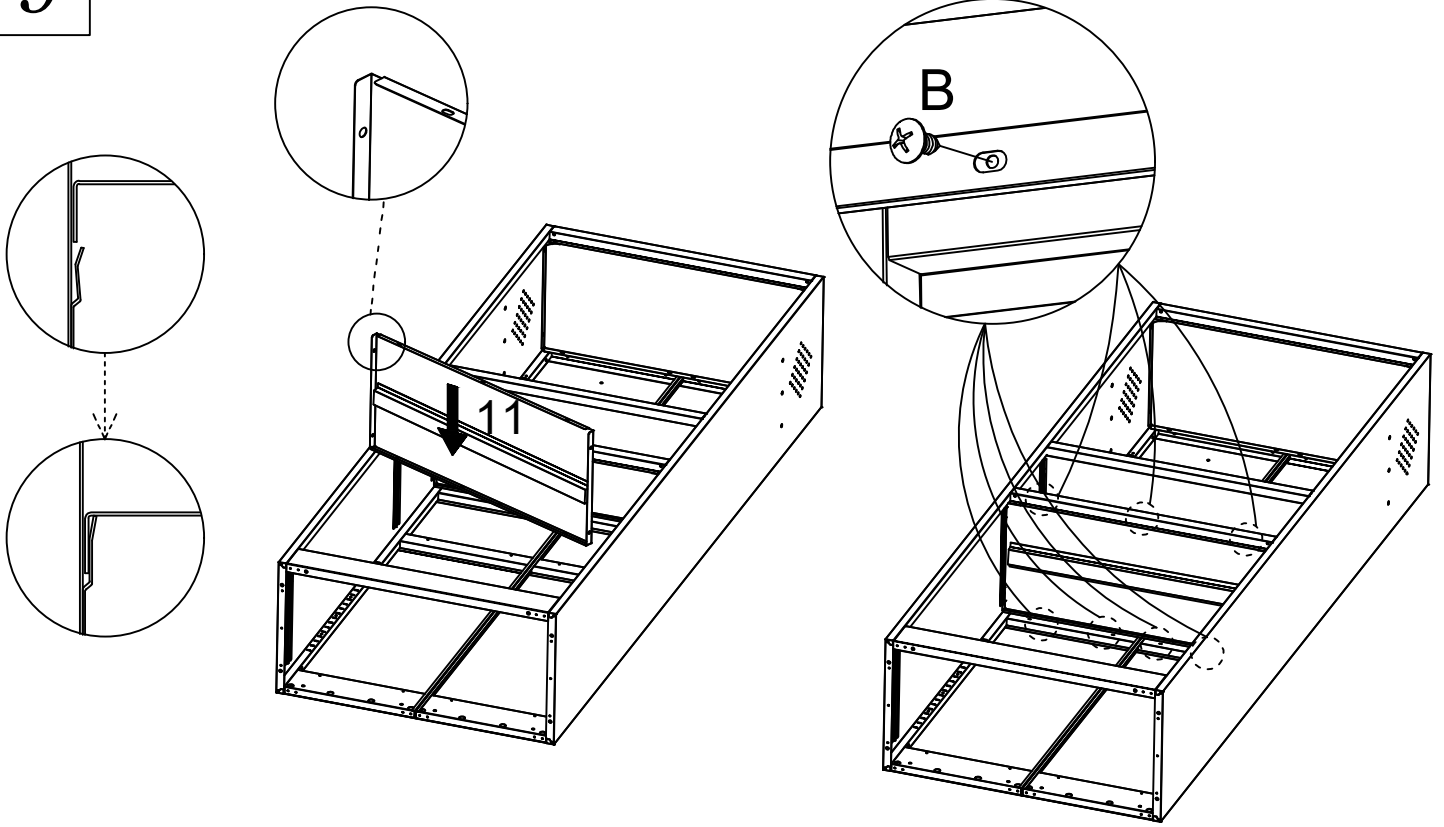
B×7 

8



B×4 

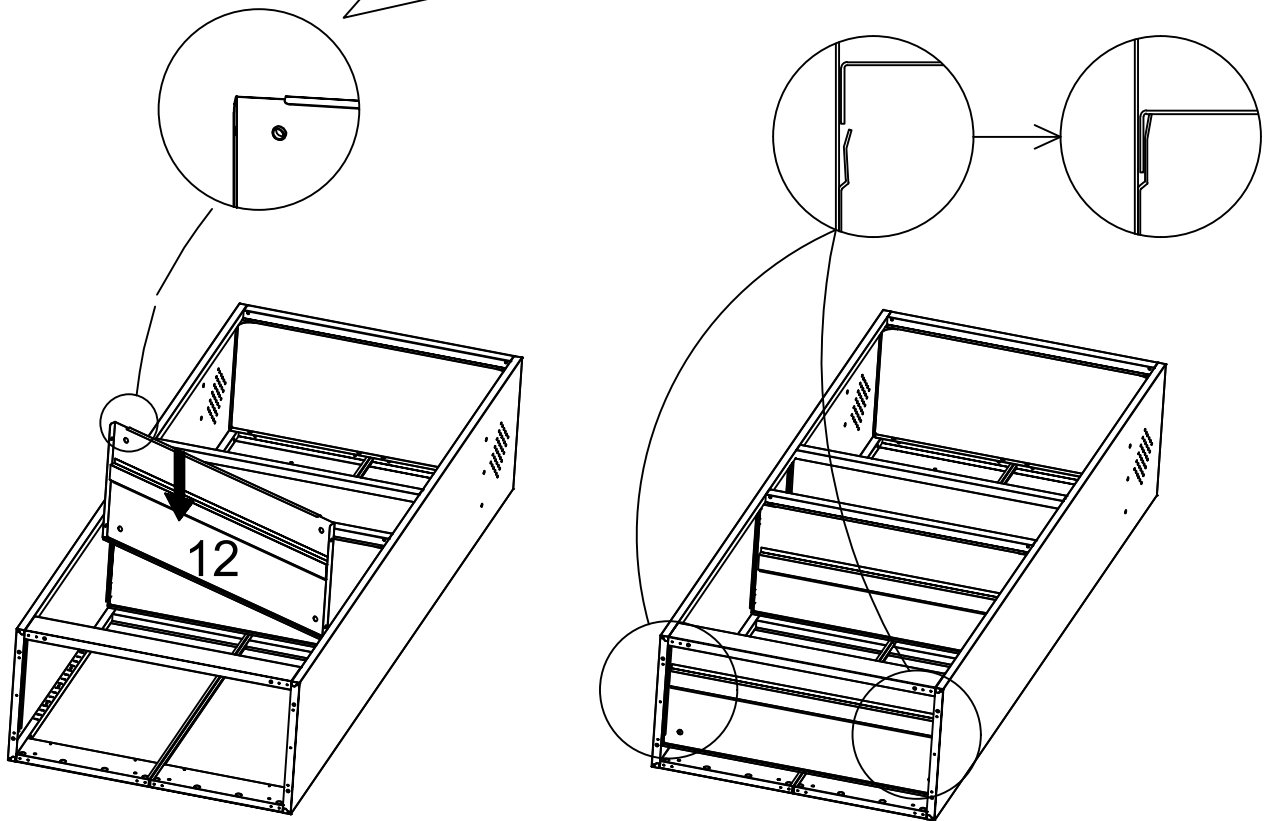
9



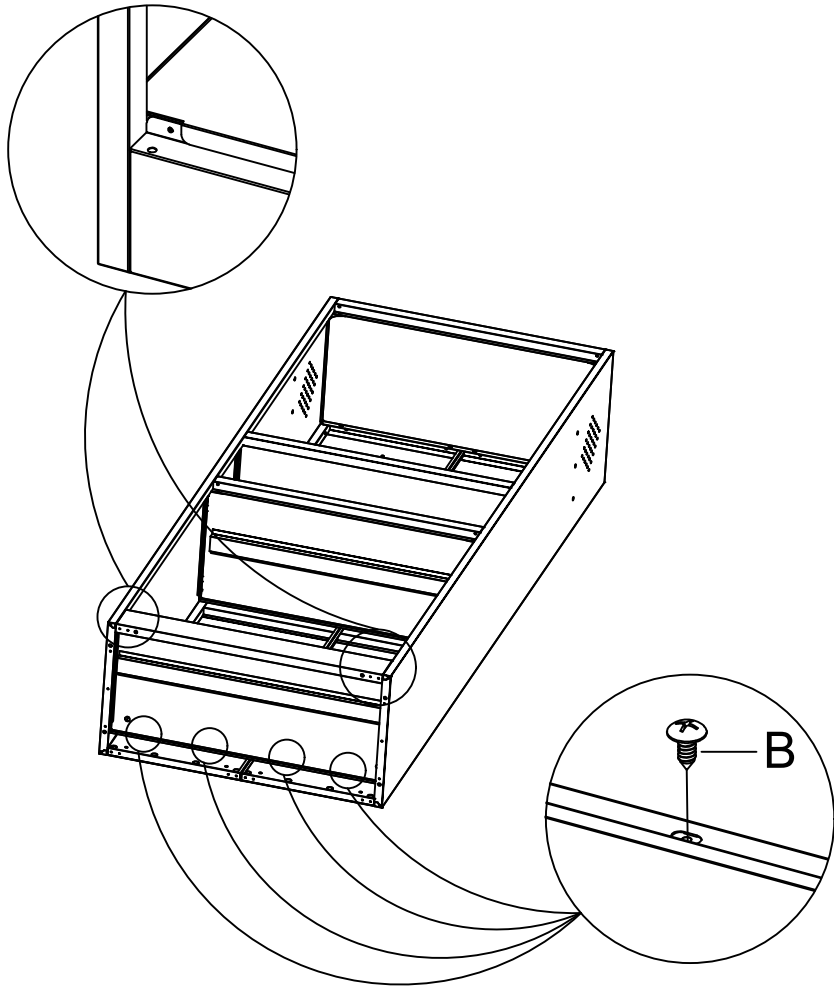
B×7 


10

When placing Part 12, place the notched side facing forward.

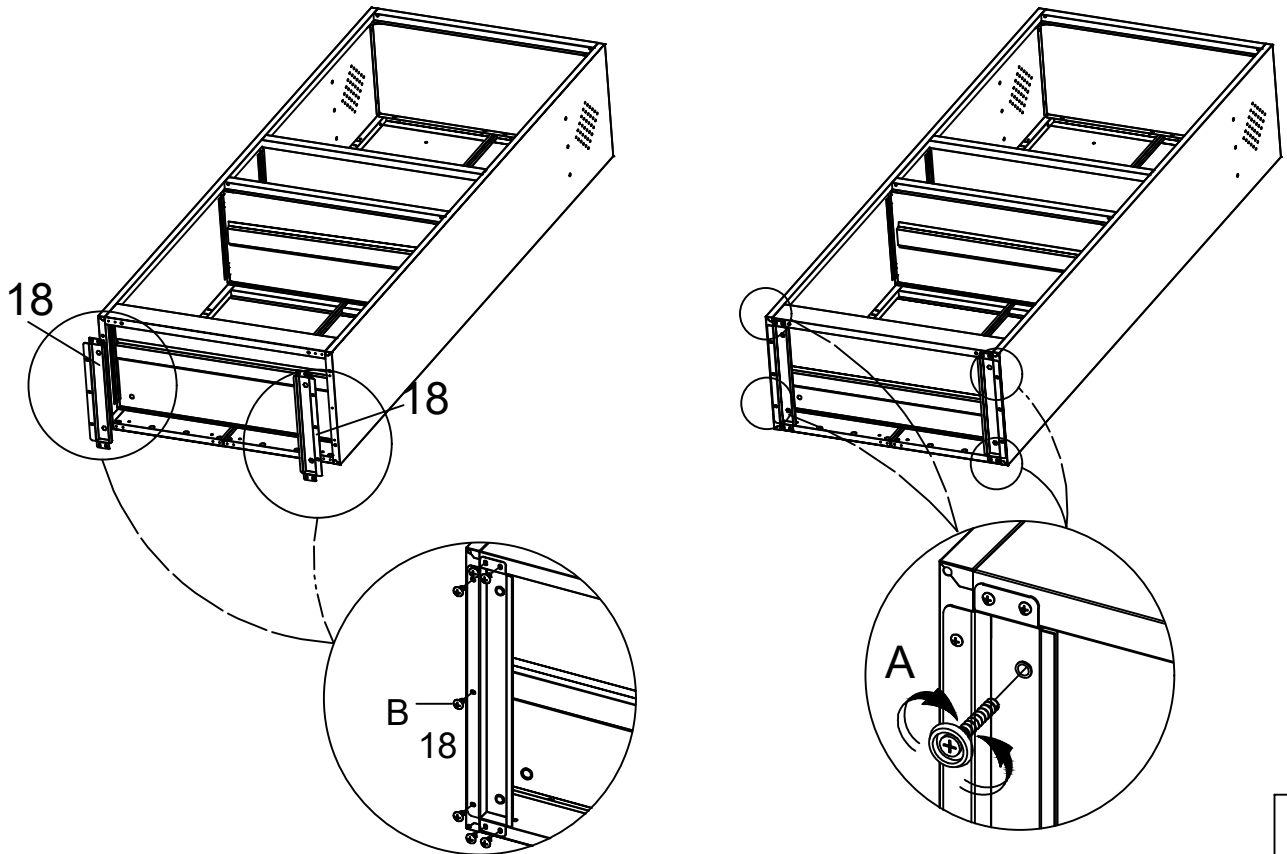



11



B×4 

12

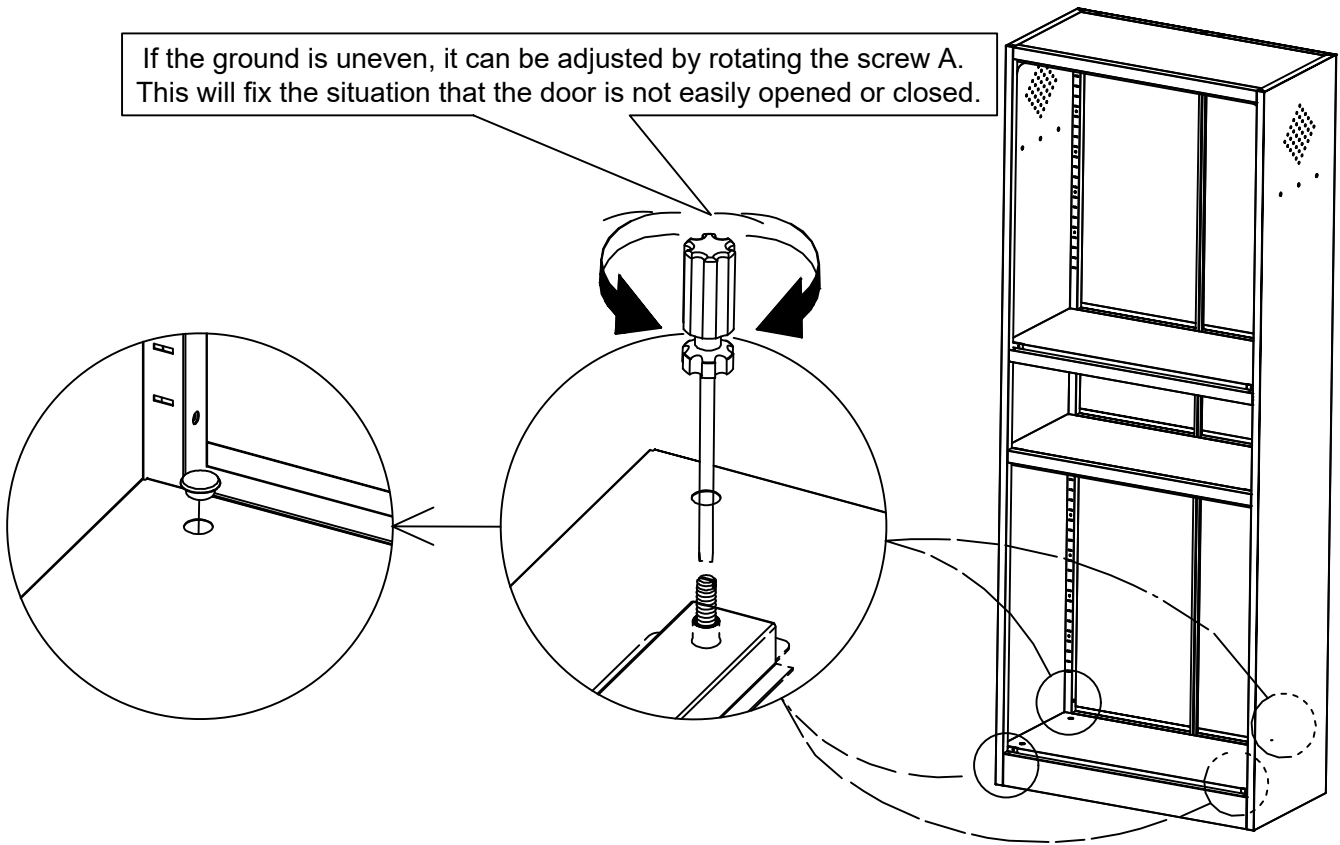


A×4 

B×14 

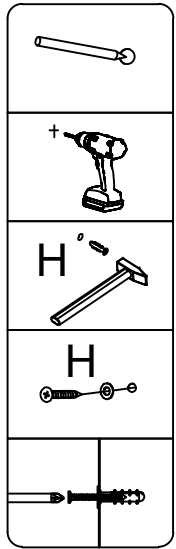
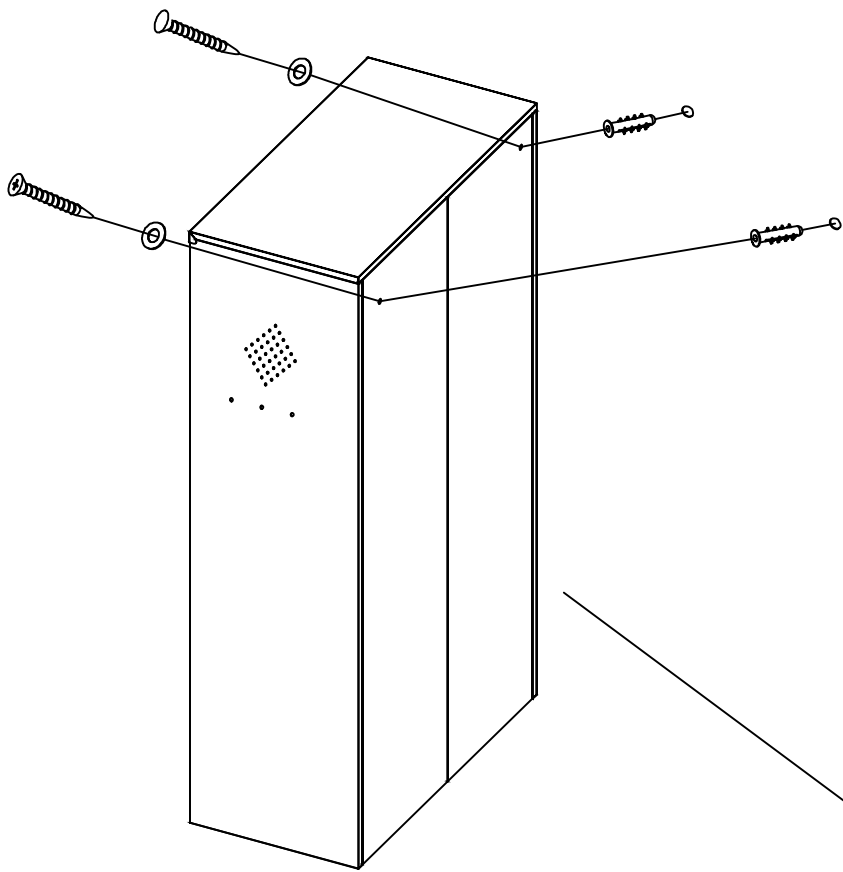
13

If the ground is uneven, it can be adjusted by rotating the screw A. This will fix the situation that the door is not easily opened or closed.

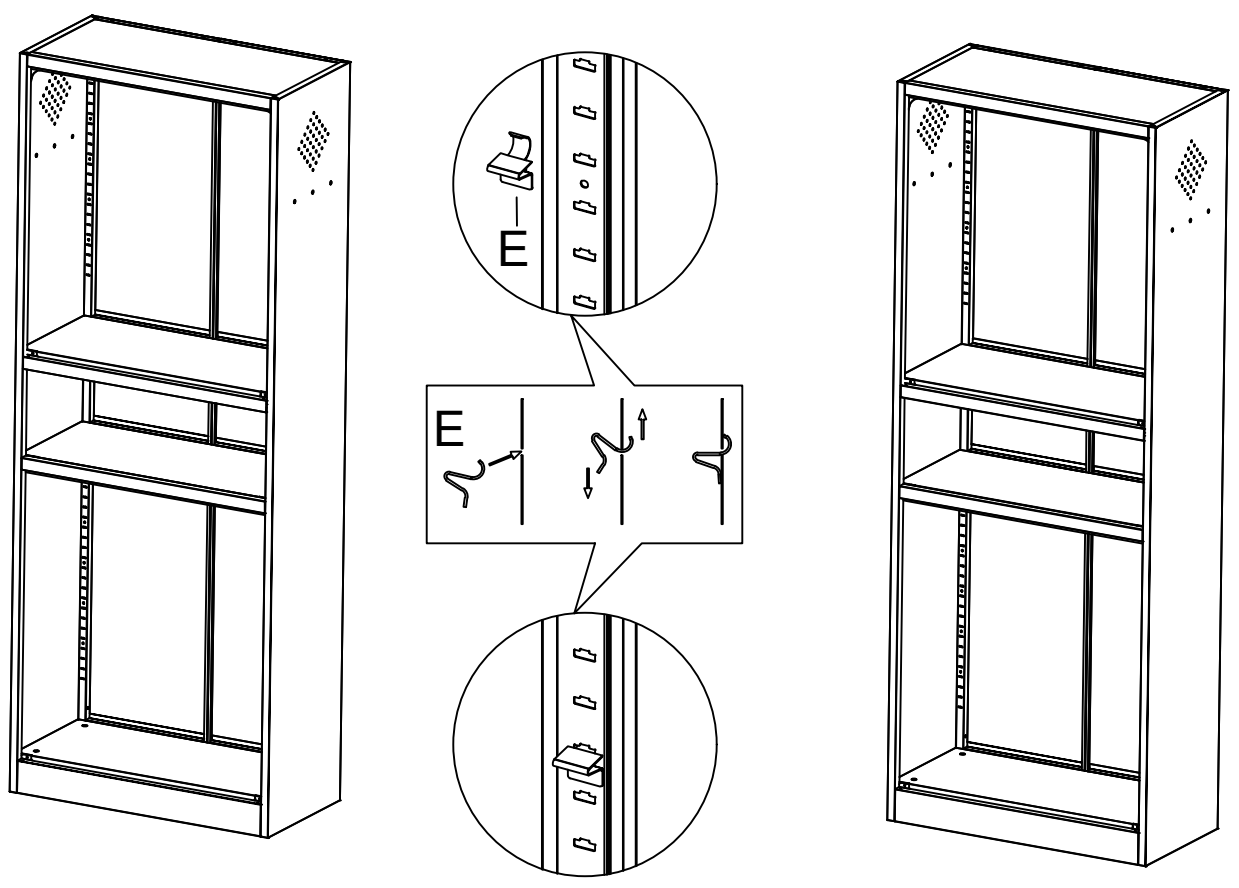


14

The cabinet can be fixed to the wall as needed.

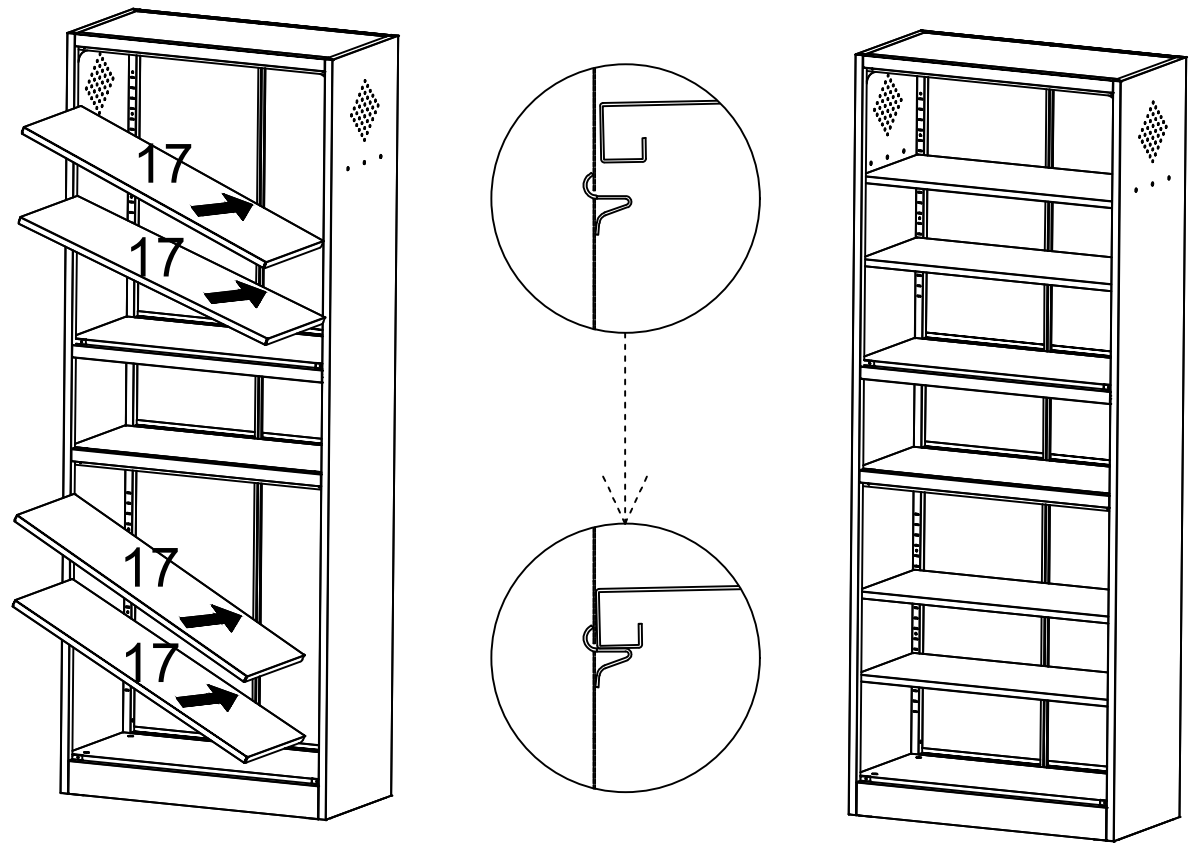


15



E×16

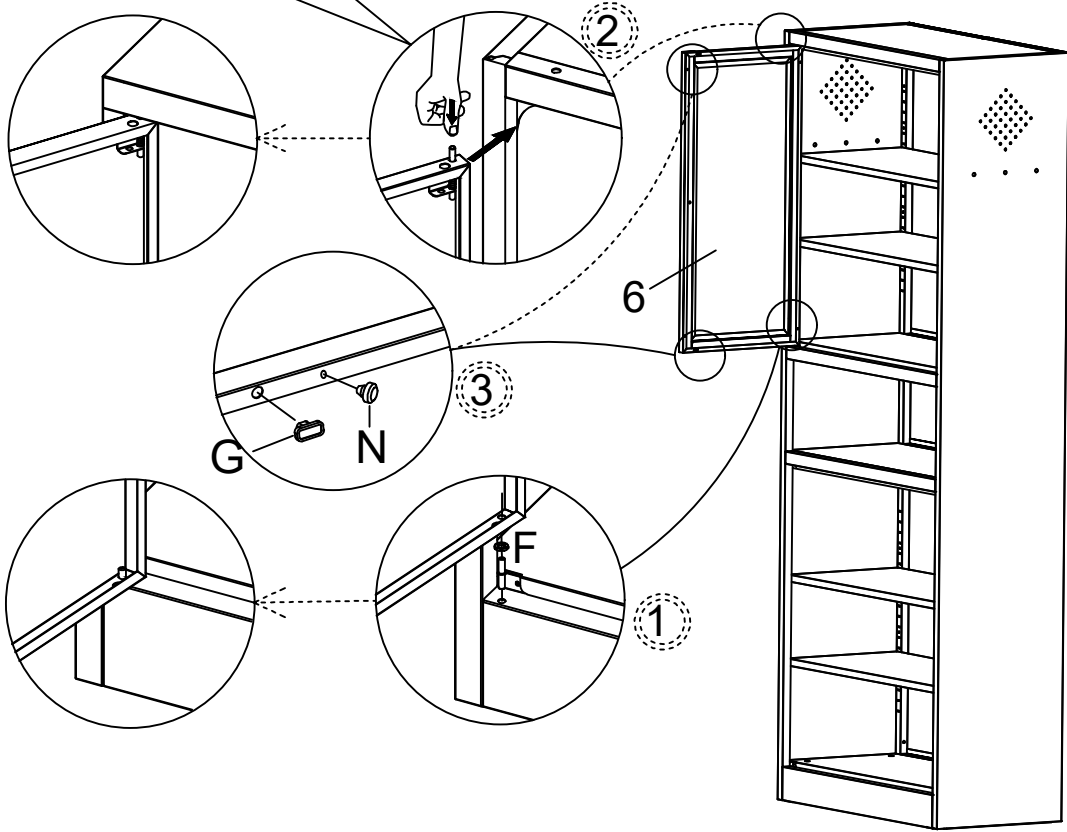
16



# 17

Install the door by first installing the door pin F, then by pressing the spring shafts on the top of the door.

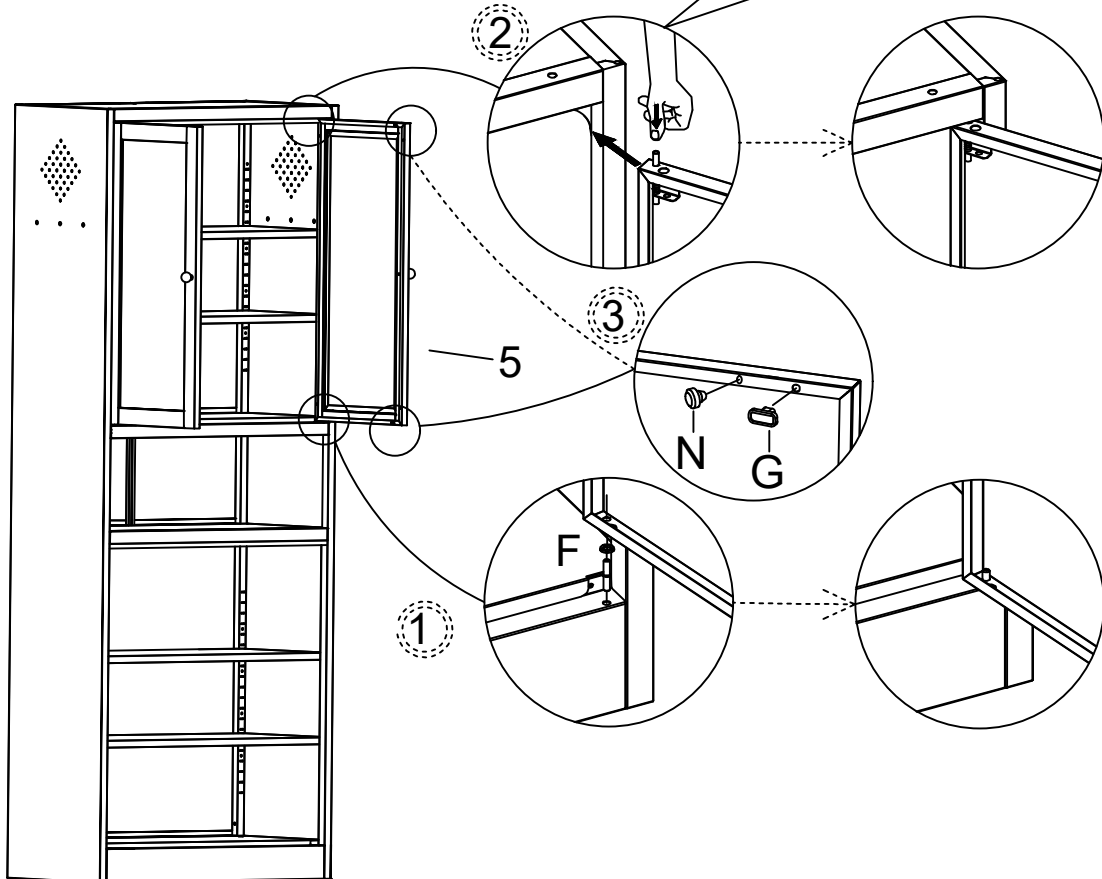
If the spring screw is missing from the door, you can find the screw K in the hardware package to install it.



F×1	
G×2	
N×2	

# 18

If the spring screw is missing from the door, you can find the screw K in the hardware package to install it.

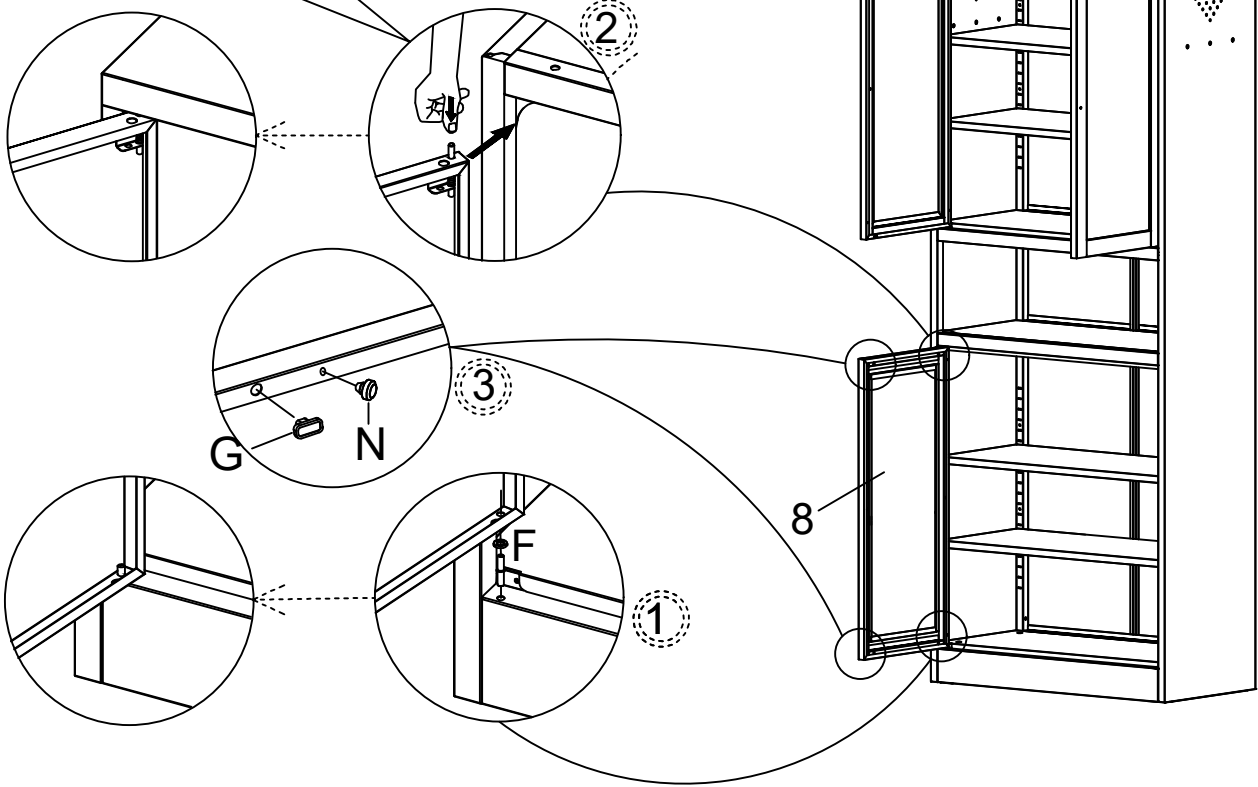


F×1	
G×2	
N×2	

# 19

Install the door by first installing the door pin F, then by pressing the spring shafts on the top of the door.

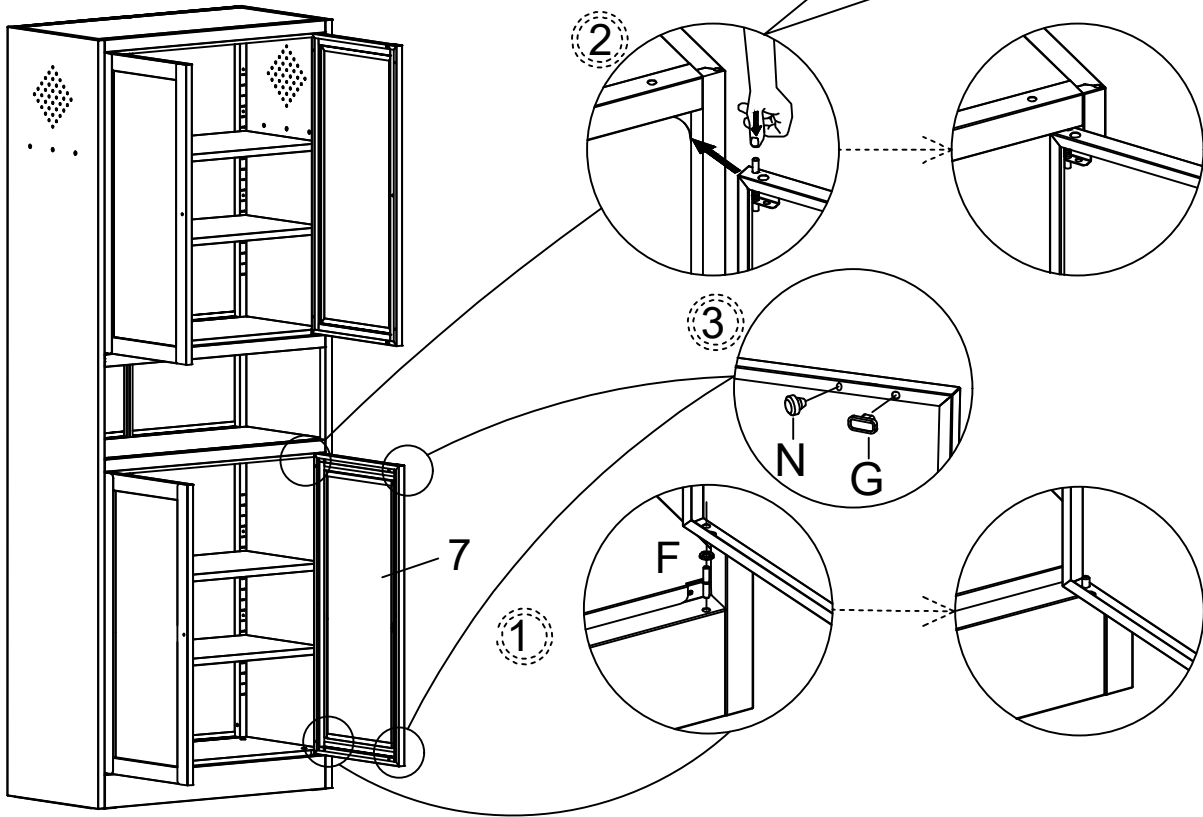
If the spring screw is missing from the door, you can find the screw K in the hardware package to install it.



F×1	
G×2	
N×2	

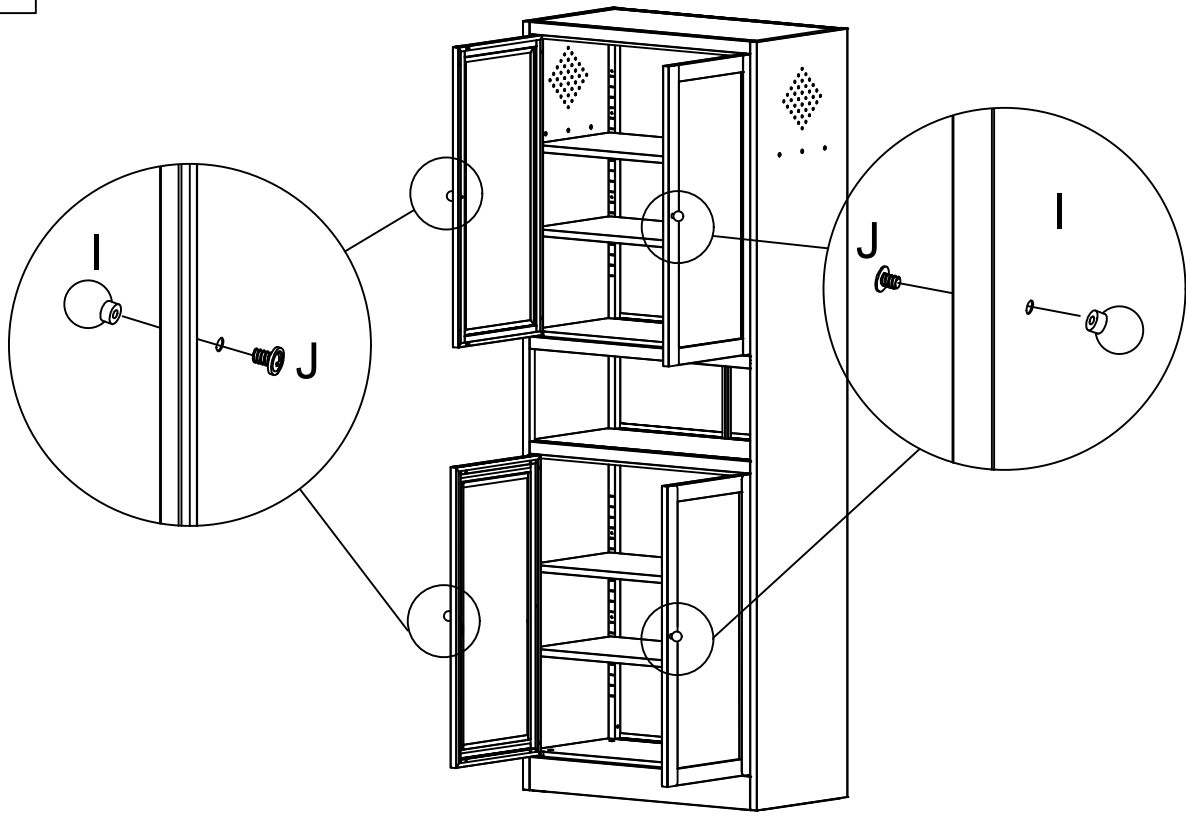
# 20



If the spring screw is missing from the door, you can find the screw K in the hardware package to install it.



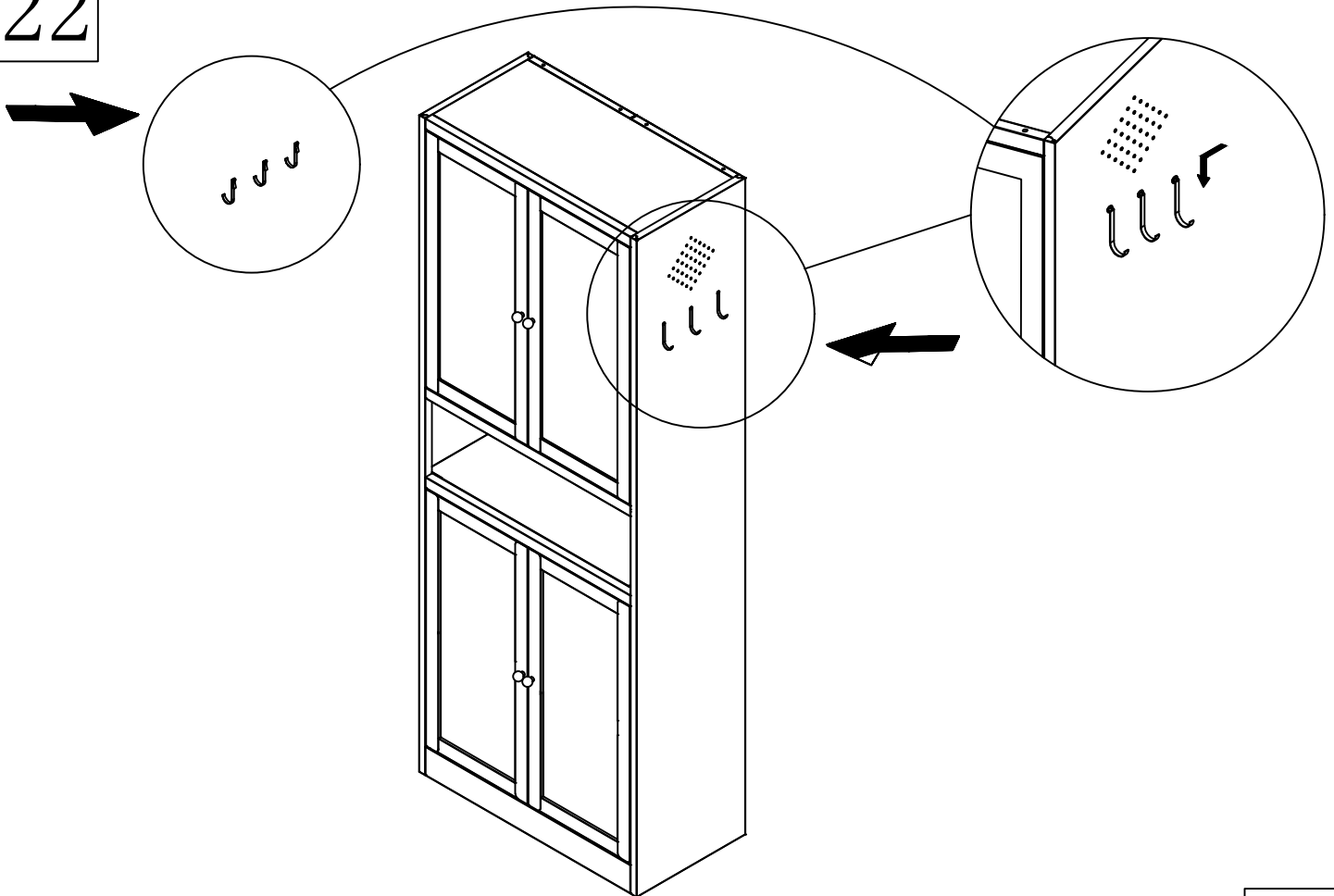
F×1	
G×2	
N×2	

21



- I×4 
- J×4 

22



- M×6 