











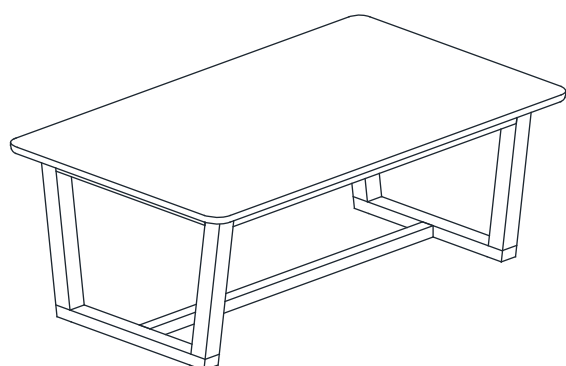


ASSEMBLY INSTRUCTIONS

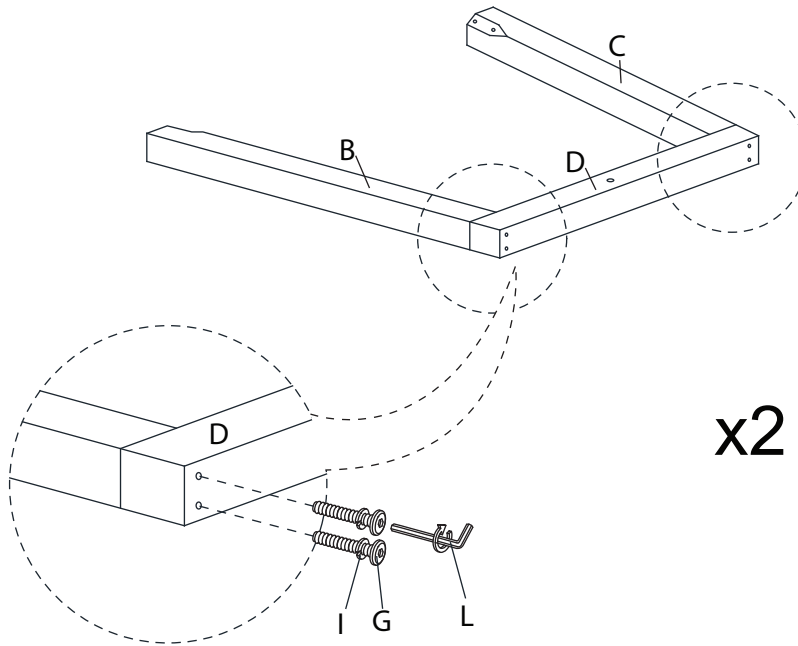
DINING TABLE

A Table Top 	B Left Leg 	C Right Leg 	D Leg Support 
E 1 pc Crossbar 	F 2 pcs JCBB Bolt M8 x 70mm 	G 2 pcs JCBC Bolt M6 x 80mm 	H 2 pcs Spring Washer M8 x 13mm 
I 1 pc Spring Washer M6 x 12mm 	J 10 pcs Flat Washer M8 x 22mm 	K 8 pcs Allen Key M5 x 65mm 	L 10 pcs Allen Key M4 x 100mm 
8 pcs	8 pcs	1 pc	1 pc

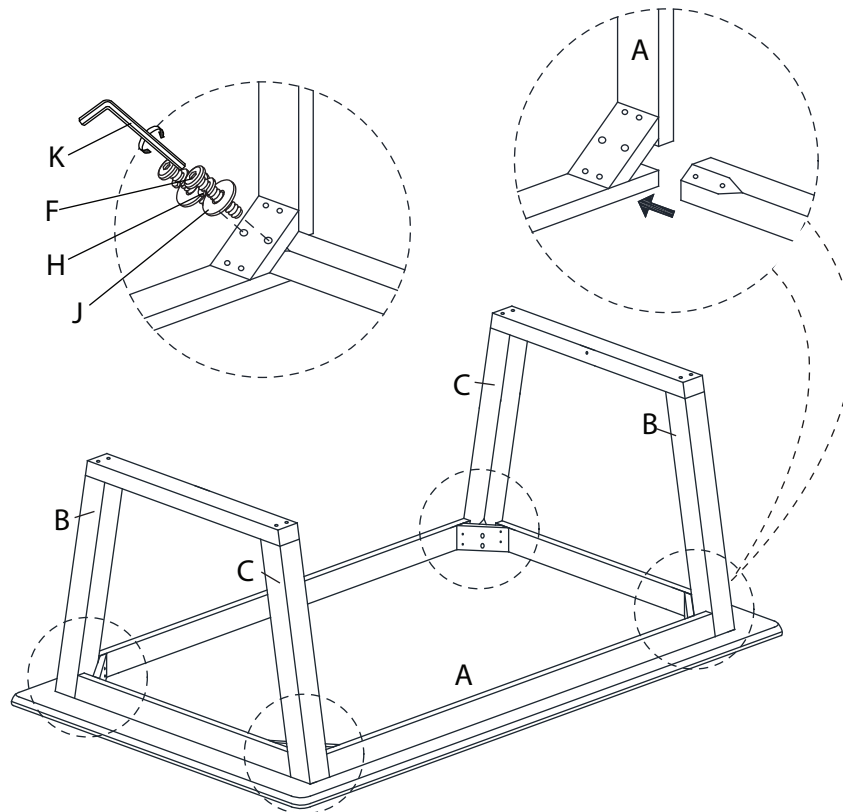


This page lists all the contents included in the box. Please take the time to identify the hardware as well as the individual components to this product. As you unpack and prepare for assembly, place the contents on a carpeted or padded area to protect them from damage.

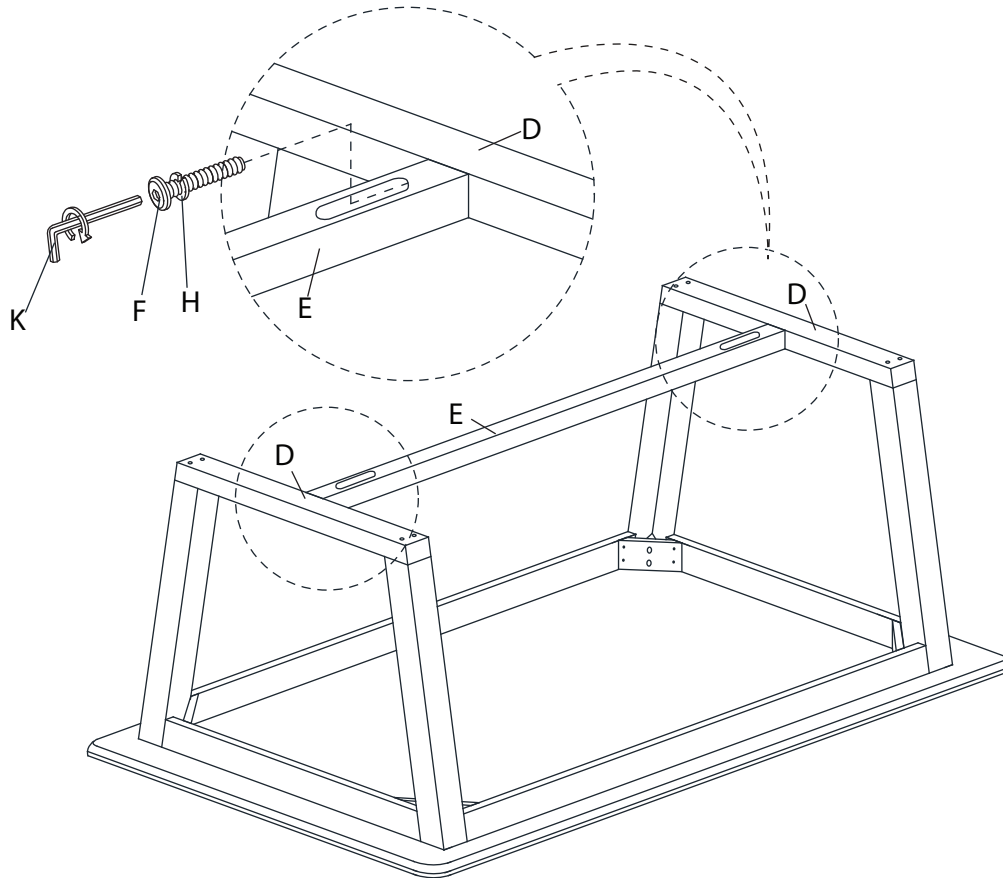
- 1** Attach the Leg Support (D) to the Left & Right Leg (B & C) using JCBC Bolt (G) and Spring Washer (I) with the Allen Key (L).



- 2** Place the Table Top (A) upside down on a smooth carpeted surface. Attach the Left & Right Leg (B & C) to the Table Top (A) using JCBB Bolt (F), Spring Washer (H) and Flat Washer (J) with the Allen Key (K).



-
- 3** Attach the Crossbar (E) to the Leg Support (D) using JCBB Bolt (F) and Spring Washer (H) with the Allen Key (K).



Cleaning & Care

Treat surfaces with care. Surfaces are resistant to scratches but are not scratch resistant. Clean surfaces with a dry or damp soft cloth. Do not use abrasive cleaners. Hardware may loosen over time. Periodically check that all connections are tight.