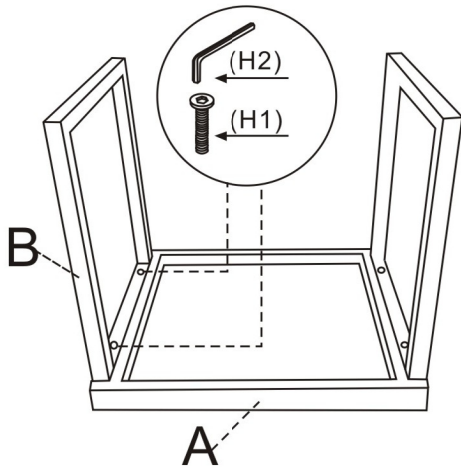


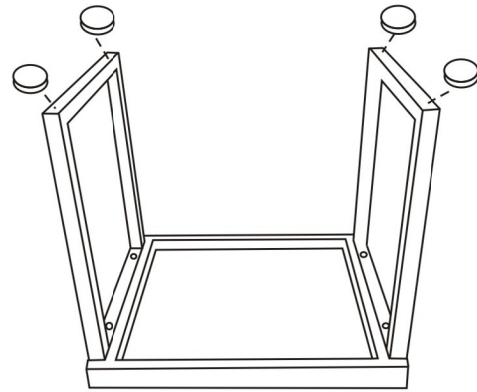
ASSEMBLY INSTRUCTION

<<Before assembling, read all the instructions>>

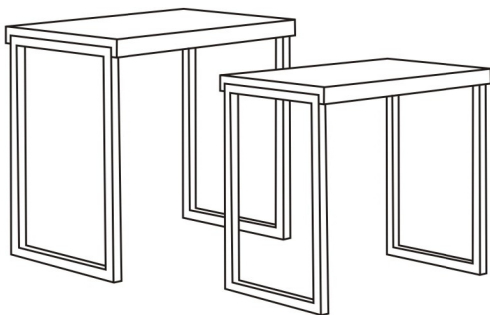
Step1




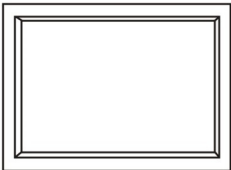


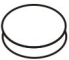
Step2



Step3



Components

A	B	H1	H2	
				
2PCS	4PCS	8PCS	1PC	8PCS