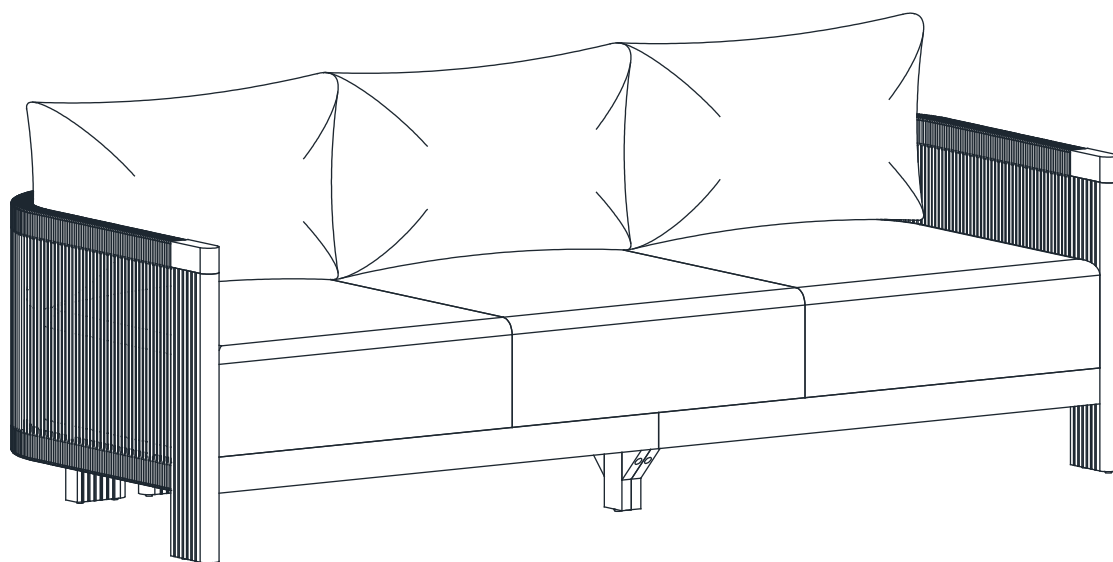


MARINA TEAK PATIO SOFA

DESIGN # CPT1085

Assembly Instructions


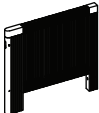

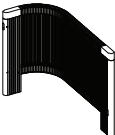
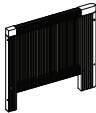


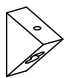

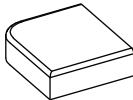
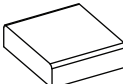
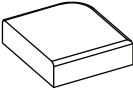



SAFAVIEH
C O U T U R E








Thanks for bringing Safavieh Couture into Your home

Every thing we make is incredibly simple to set up, including your new sofa. You won't need any additional tools.

Parts List

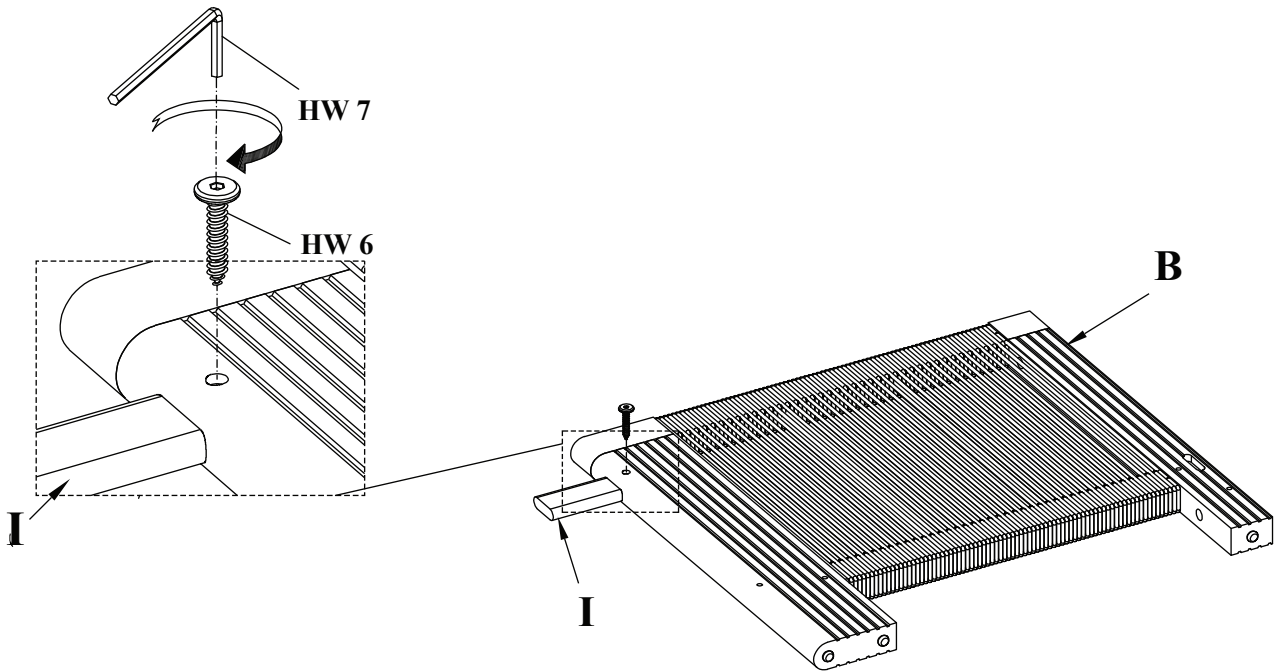
- A x 1
Right leg Panel 
- B x 1
Back Right leg panel 
- C x 1
Right Seat panel 
- D x 1
Left leg Panel 
- E x 1
Back Left leg panel 
- F x 1
Left Seat panel 
- G x 2
Middle leg 
- H x 2
Corner Bracket 
- I x 1
Connection Leg 
- CSH1 x 1
Right Seat Cushion 
- CSH2 x 1
Middle Seat Cushion 
- CSH3 x 1
Left Seat Cushion 
- CSH4 x 3
Back Cushion 

Hardware List

- HW1 x 14
Bolt M8x0.5x40 
- HW2 x 2
Bolt M6x0.5x110 
- HW3 x 3
Bolt M6x0.5x35 
- HW4 x 5
Sleeve Nut M6x0.5x15 
- HW5 x 8
Screws M6x0.5x 45 mm 
- HW6 x 4
Screws M6x0.5x 30 mm 
- HW7 x 2
Allen key 

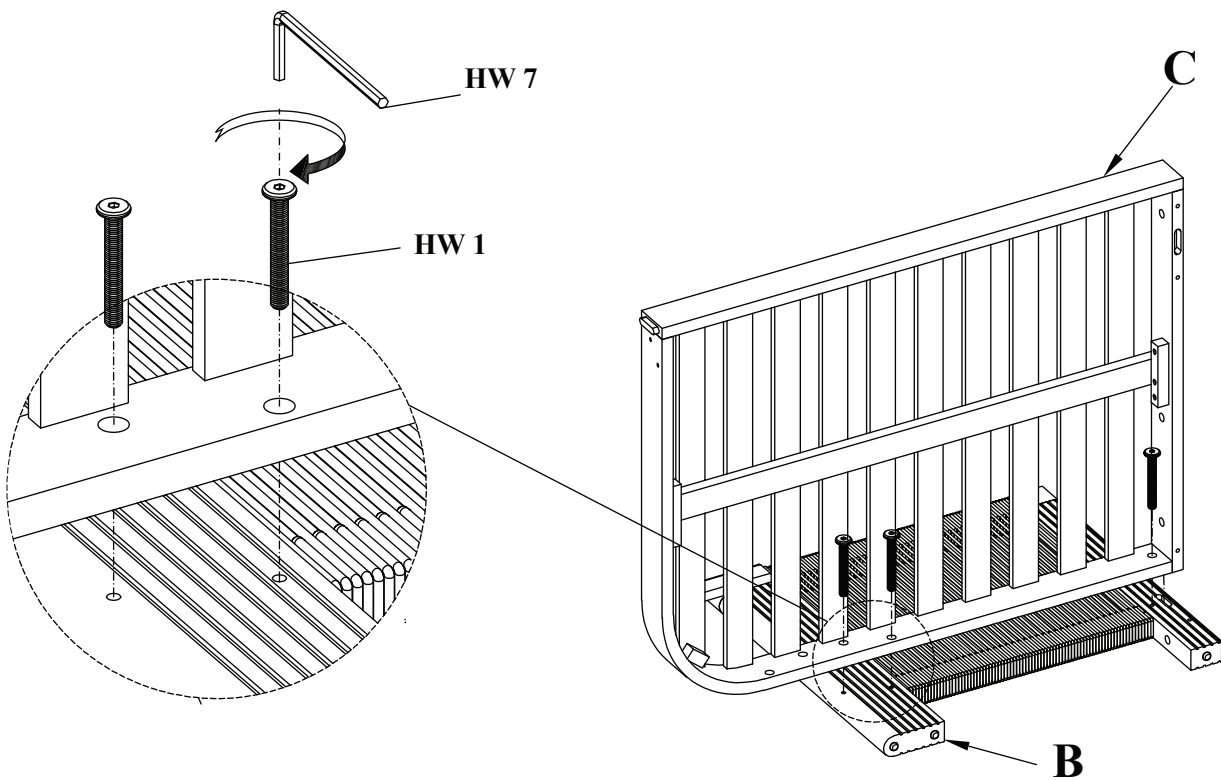
1

Insert the Connection Leg (I) into the Back Right Leg Panel (B) as shown below. Attach them together by using the Allen Key (HW7) to screw in the Screw (HW6).



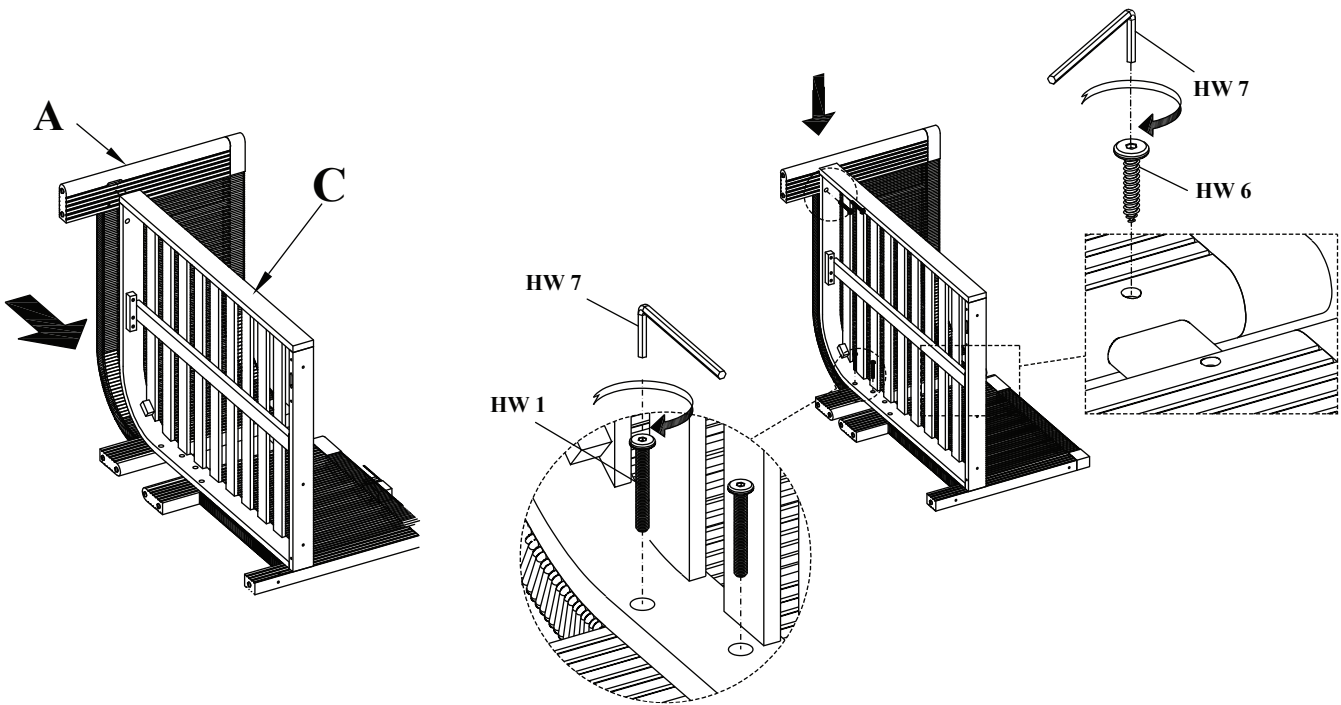
2

Attach the Right Seat Panel (C) to the Back Right Leg Panel (B) by using the Allen Key (HW7) to screw in the Bolts (HW1) in the spots shown below.



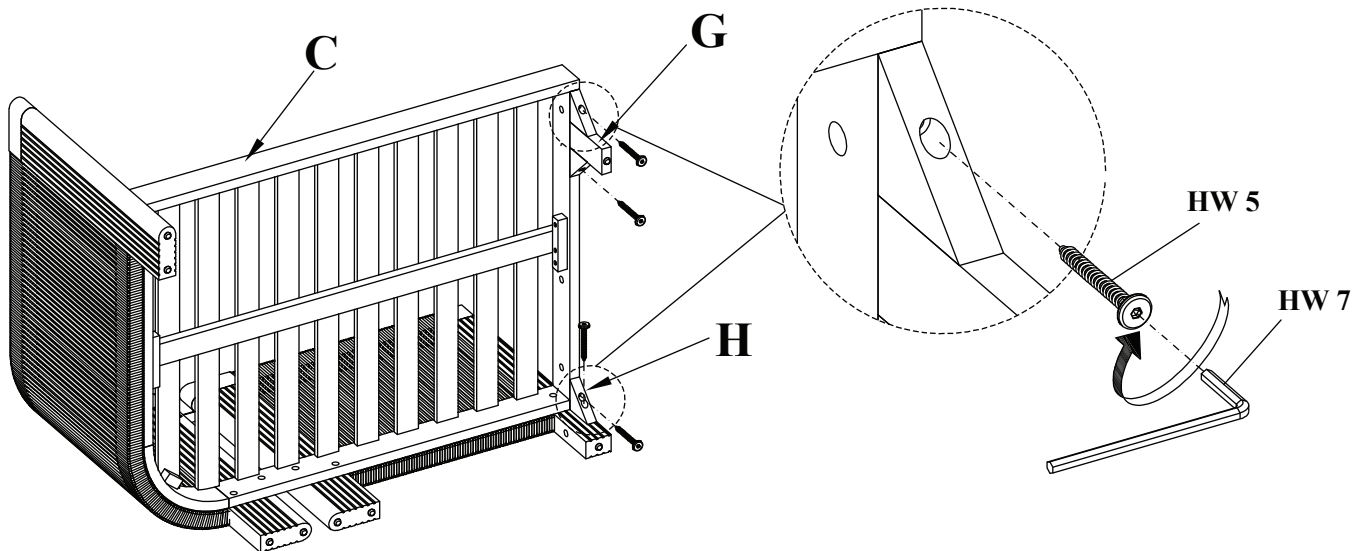
3

Attach the Right Leg Panel (A) to the Right Seat Panel (C) by using the Allen Key (HW7) to screw in the Screw (HW6) and Bolts (HW1) in the spots shown below.



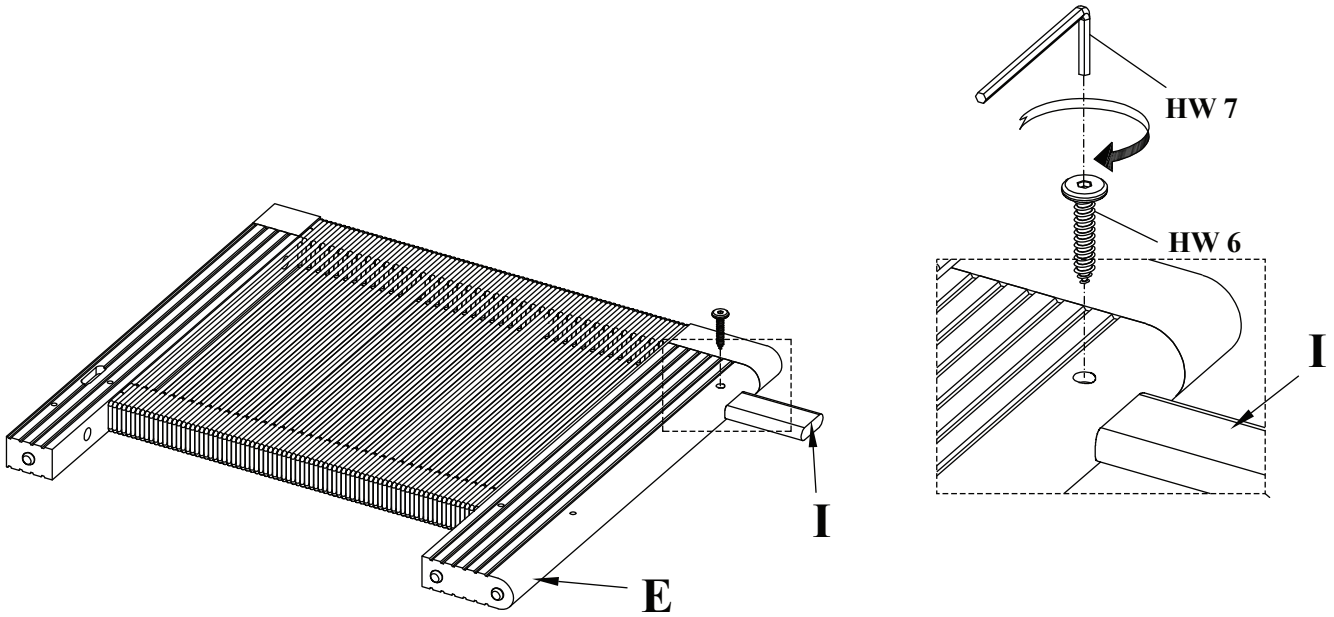
4

Attach the Middle Leg Panel (G) and the Corner Bracket (H) to the other side of the Right Seat Panel (C) by using the Allen Key (HW7) to screw in the Screws (HW5).



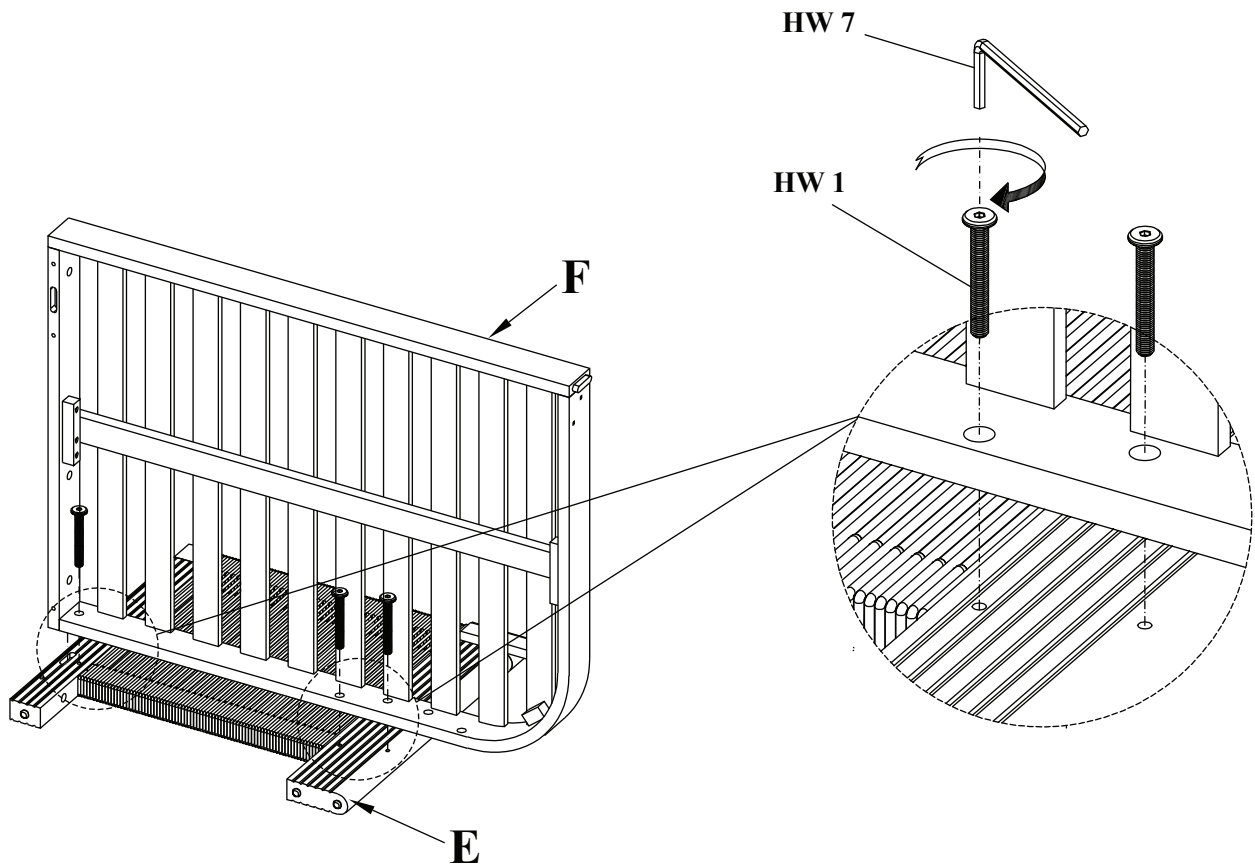
5

Insert the Connection Leg (I) into the Back Left Leg Panel (E) as shown below.
Attach them together by using the Allen Key (HW7) to screw in the Screw (HW6).



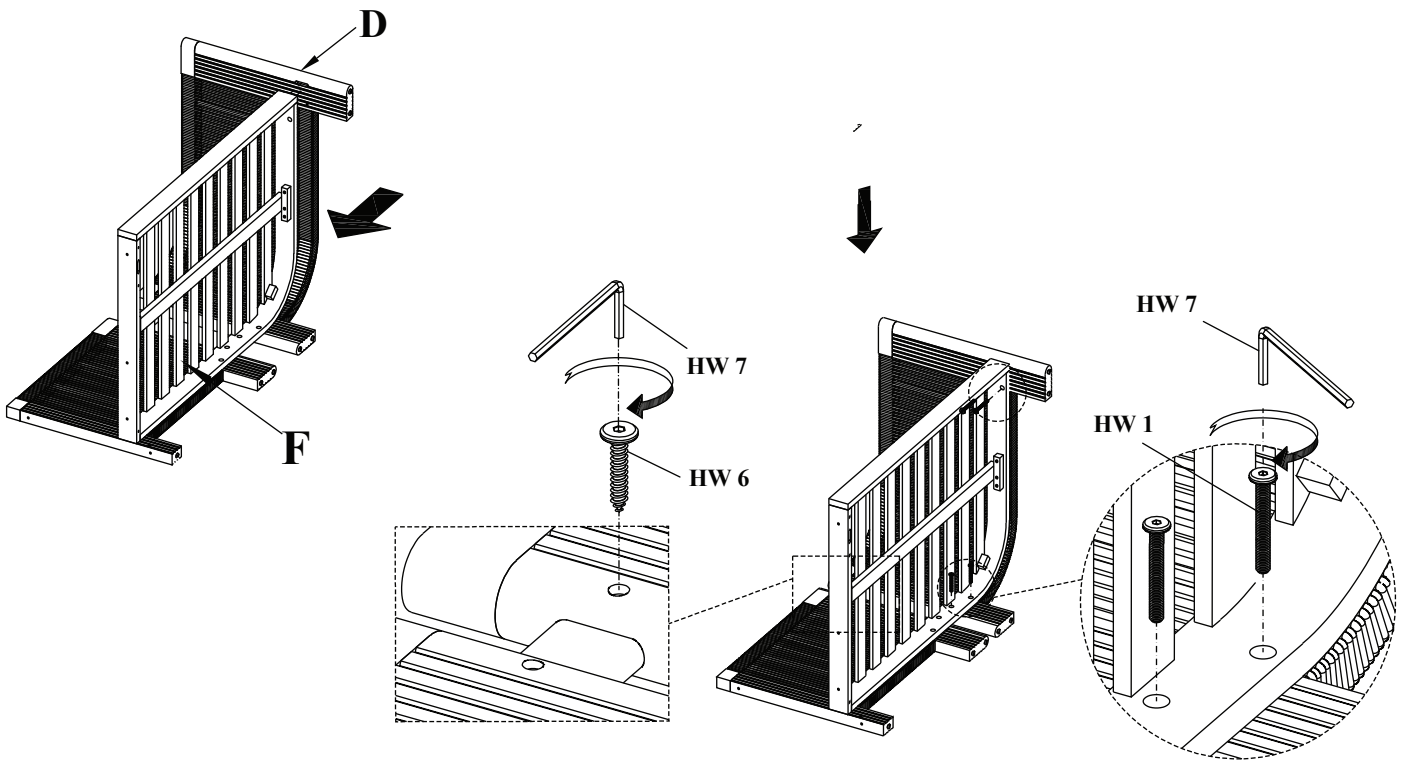
6

Attach the Left Seat Panel (F) to the Back Left Leg Panel (E) by using the Allen Key (HW7) to screw in the Bolts (HW1) in the spots shown below.



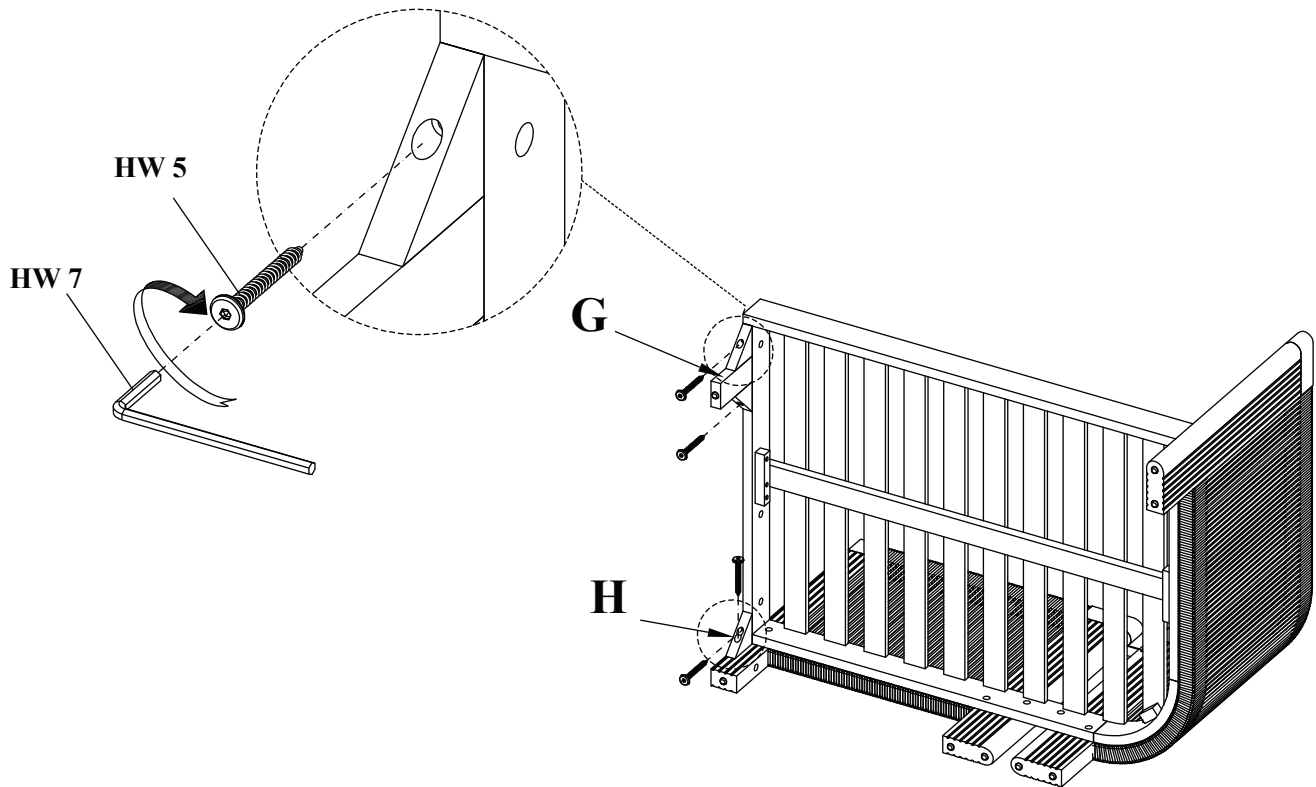
7

Attach the Left Leg Panel (D) to the Left Seat Panel (F) by using the Allen Key (HW7) to screw in the Screw (HW6) and Bolts (HW1) in the spots shown below.

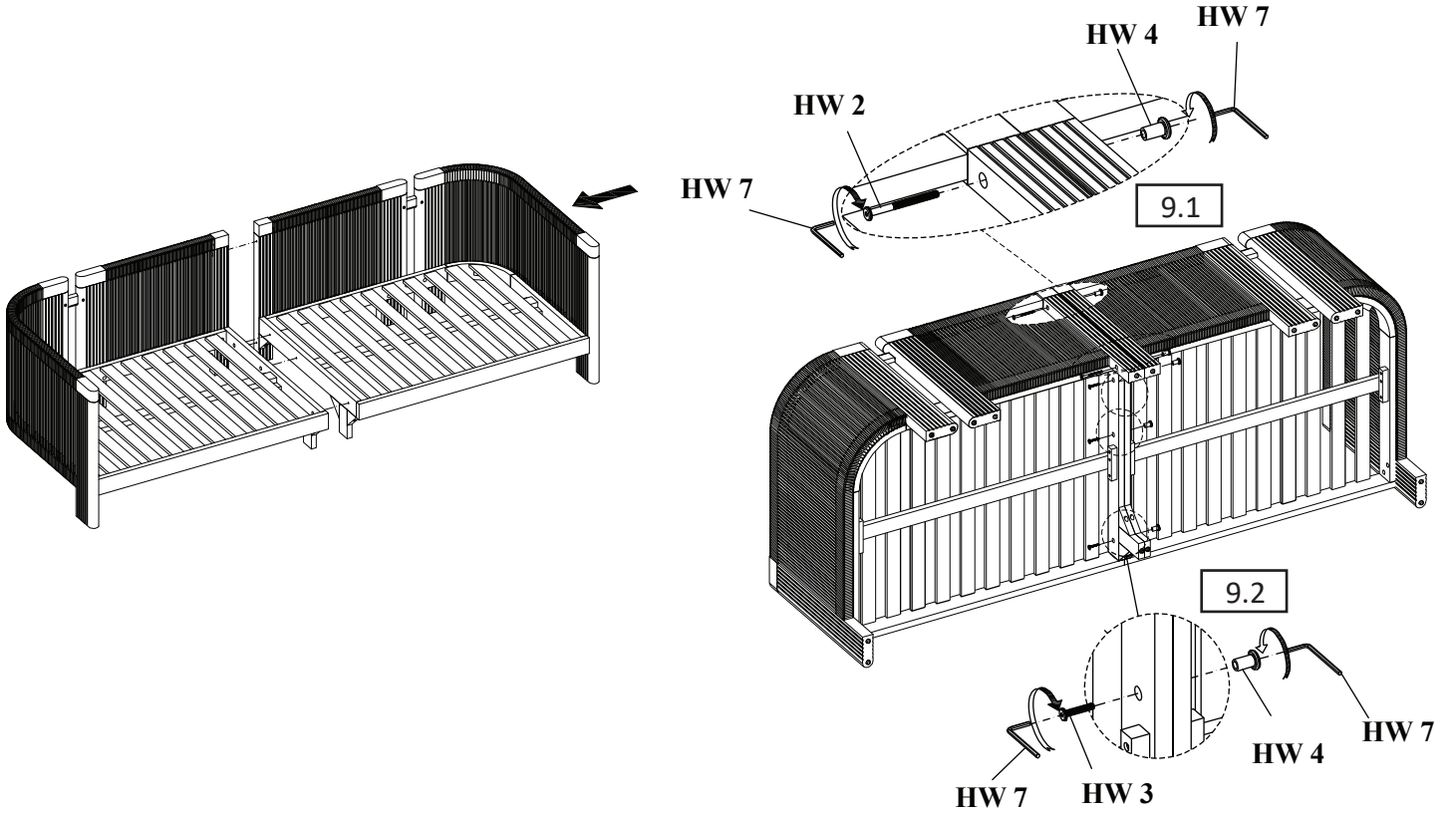


8

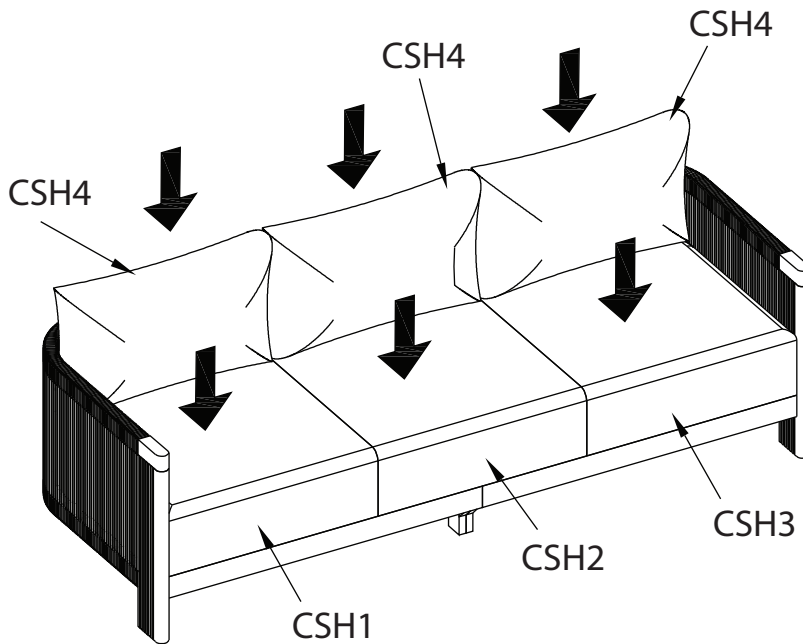
Attach the Middle Leg Panel (G) and the Corner Bracket (H) to the other side of the Left Seat Panel (F) by using the Allen Key (HW7) to screw in the Screws (HW5).



Turn the 2 halves of the sofa upright and align the screw holes in the center together. To attach the 2 backs together, insert the Bolt (HW2) into the hole on the Back Panels (B&E). Screw the Sleeve Nut (HW4) onto the end of the Bolt (HW2). Use the Allen Key (HW7) to completely tighten the bolt. Attach the legs together by inserting the Bolts (HW3) into the holes on the legs, then screw the Sleeve Nut (HW4) onto the ends of the Bolts (HW3). Use the Allen Key (HW7) to completely tighten the bolts.

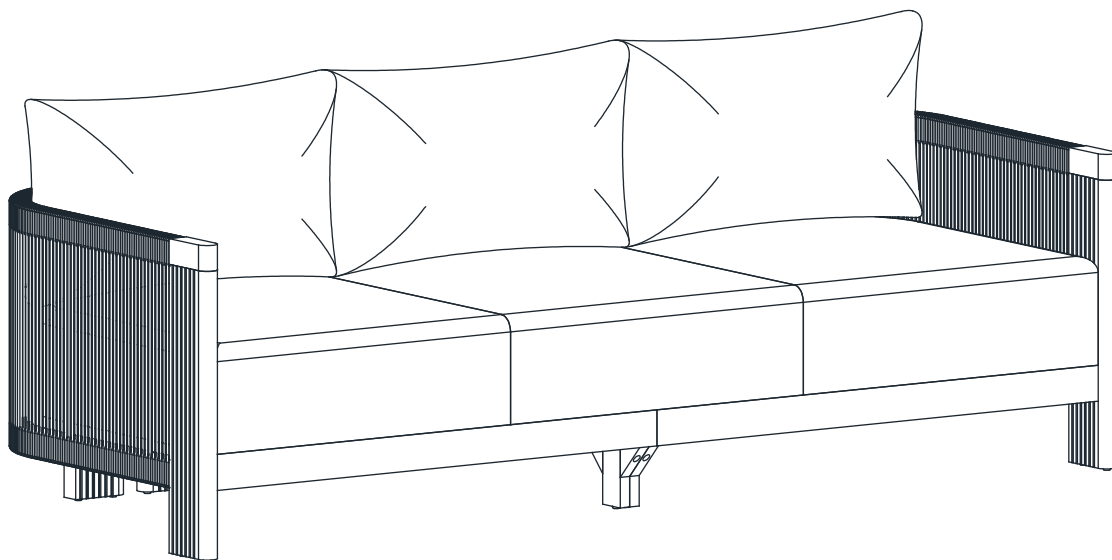


Turn the assembled sofa upright. Place the Seat Cushions (CSH1) and Back Cushions (CSH2) on the assembled sofa.



Place the sofa in the place where you will use it. We'd love to see it – just tag us (we're @safavieh) and use the hashtag #safavieh on Instagram!

@safavieh



Need help?

Feel free to contact us via email or call
If you have any specific question!

Contact us:

CS@safavieh.com
866-422-9070