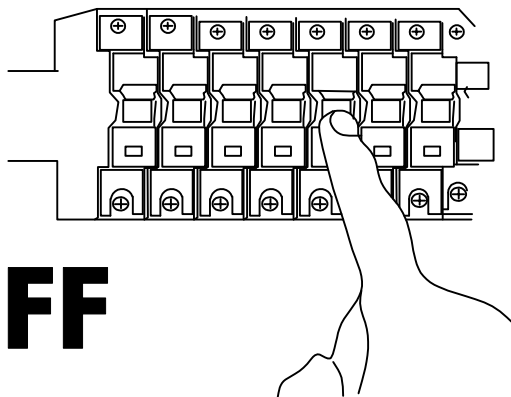


Installation steps

1

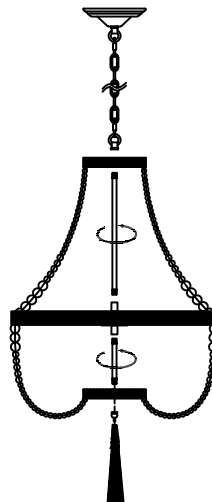


OFF

Step 1

Power off

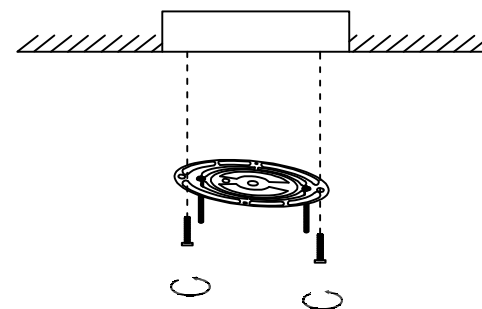
2



Step 2

Fix the chain to the top of the iron frame, then adjust the length, fix it on the light canopy.

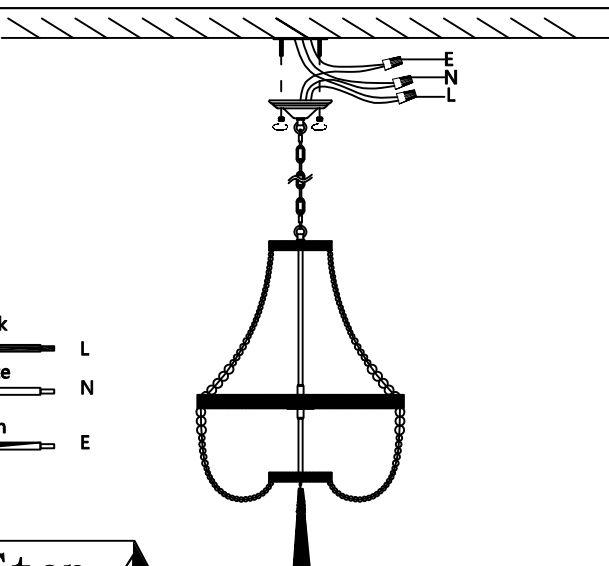
3



Step 3

Install the mounting bracket to the ceiling

4

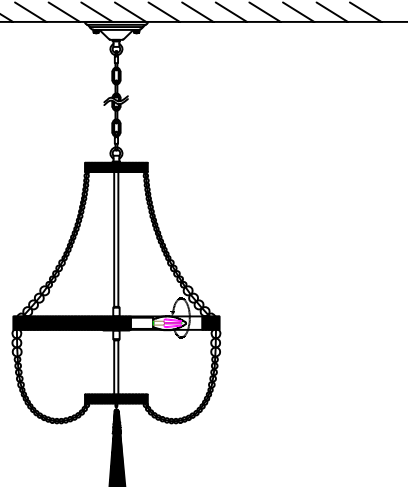


black L
white N
Earth E

Step 4

1. Use wire caps to connect the wires from the lamp to the junction box, connect Black to Black, White to White and Ground to Ground (usually green or bare copper)
2. Fix the lamp body on the ceiling with nuts

5



Step 5

Screw on the bulb and complete the assembly, power on.



Screw



Wire connector



Instruction

Before installation, please check whether the accessories are complete. If you have any problem, please contact our customer service in time.

Note:

1. Voltage: 110V-135V
2. Bulb Type: E26 / MAX-60W
3. Before installation, please cut off the power supply to prevent electric shock.
4. Please be sure the installation step according to the company's instructions.