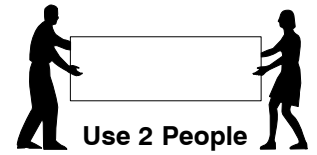
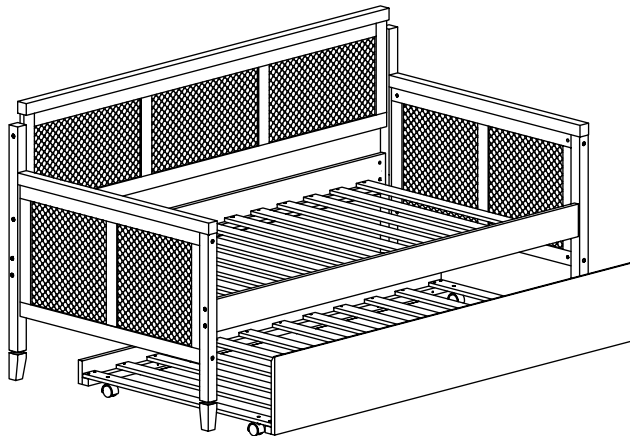


# Daybed

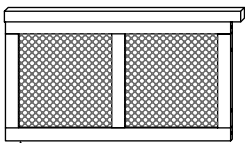
## Assembly Instructions

### 1 Assembled View

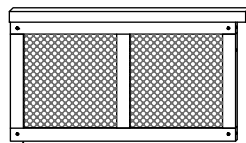


**Note:** Do not assemble using power tools. This can cause the bolts to be overtightened

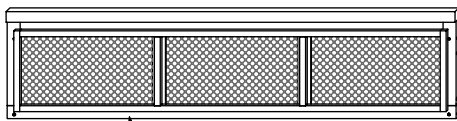
### 2 Parts in this Box



**A** Side Panel (Left Hand) x 1



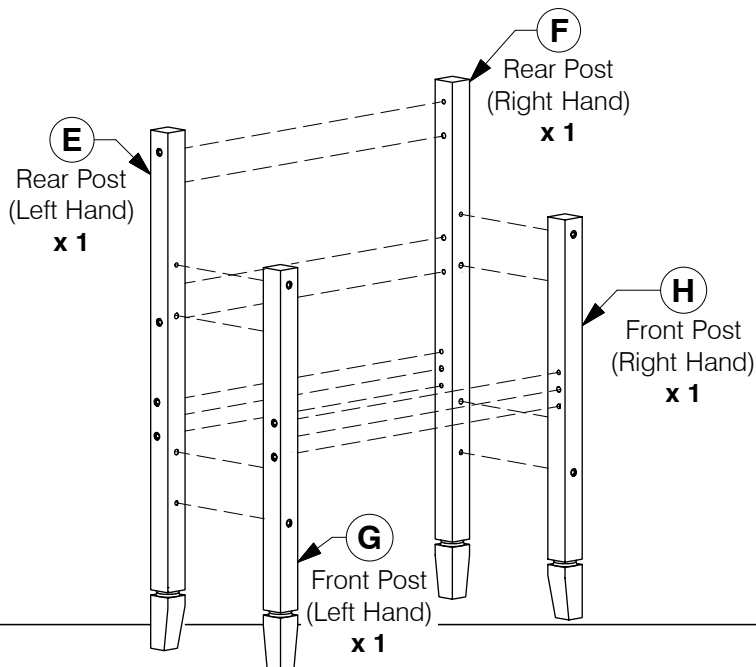
**B** Side Panel (Right Hand) x 1



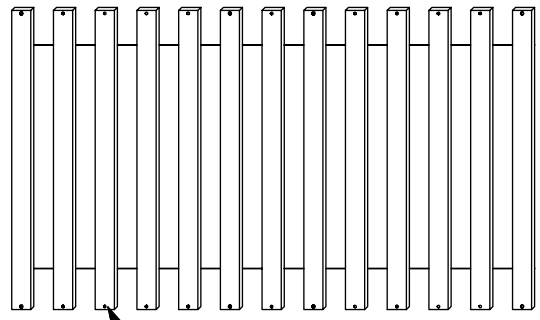
**C** Back Panel x 1



**D** Side Rail x 2



Slats are packed in separately in Box B



**J** Set of Slats x 1

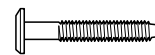
### 3 Hardware in this Box



**1** M6 x 90mm JCB x 20



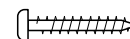
**4** Barrel Nut x 20



**2** M6 x 40mm JCB x 8



**5** Wood Dowel (10 x 40mm) x 16



**3** Wood Screw (M4 x 32mm) x 18

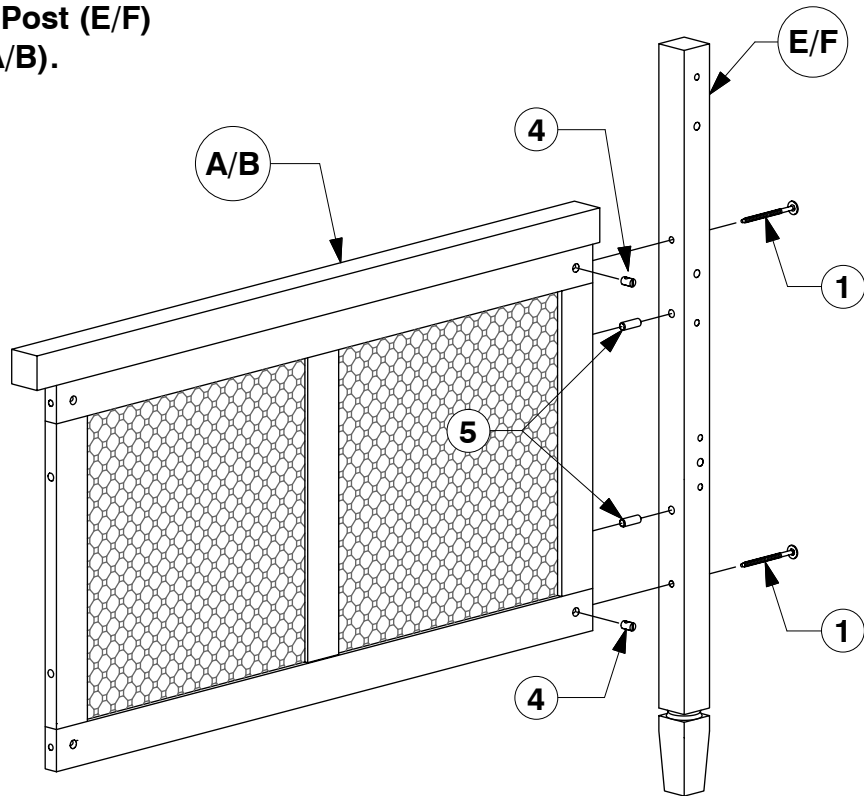


**6** Allen Key x 1

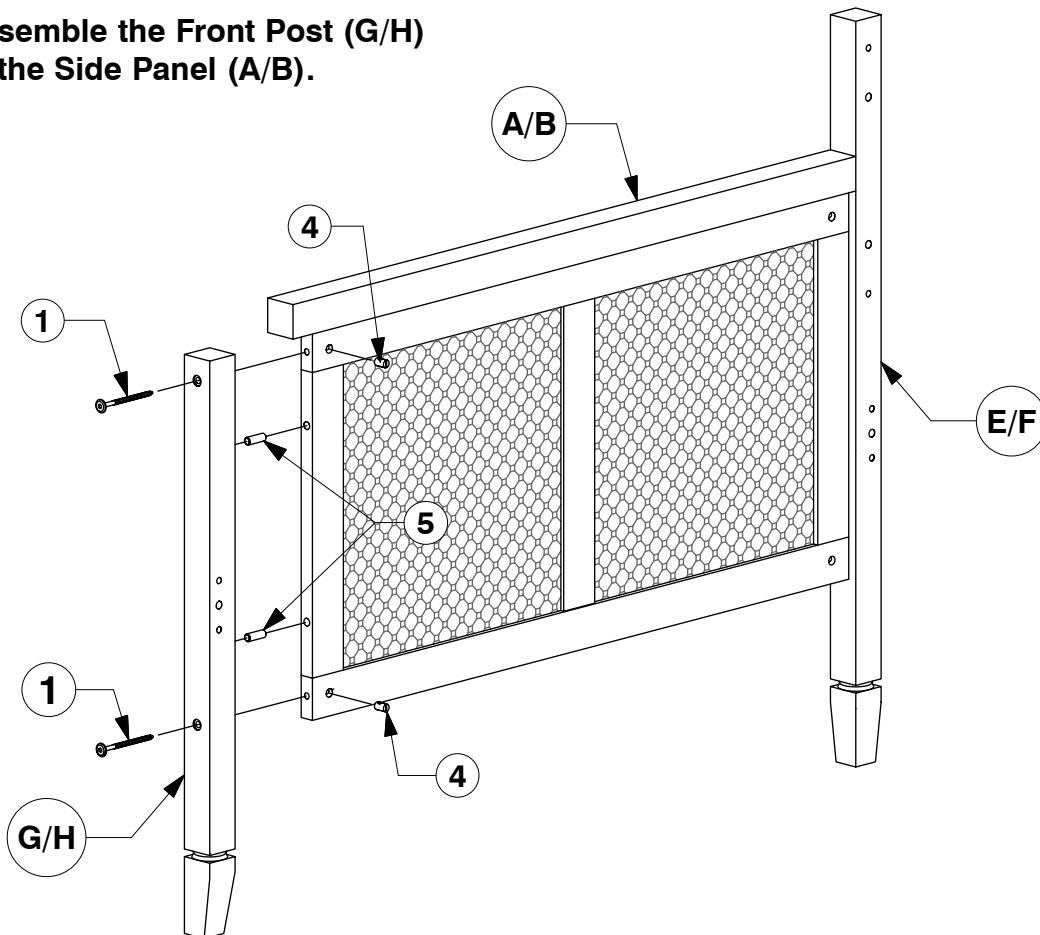
# Daybed

Assembly Instructions

- 4** Assemble the Rear Post (E/F) to the Side Panel (A/B).



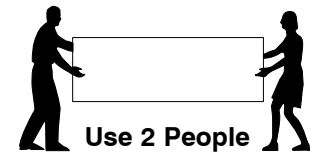
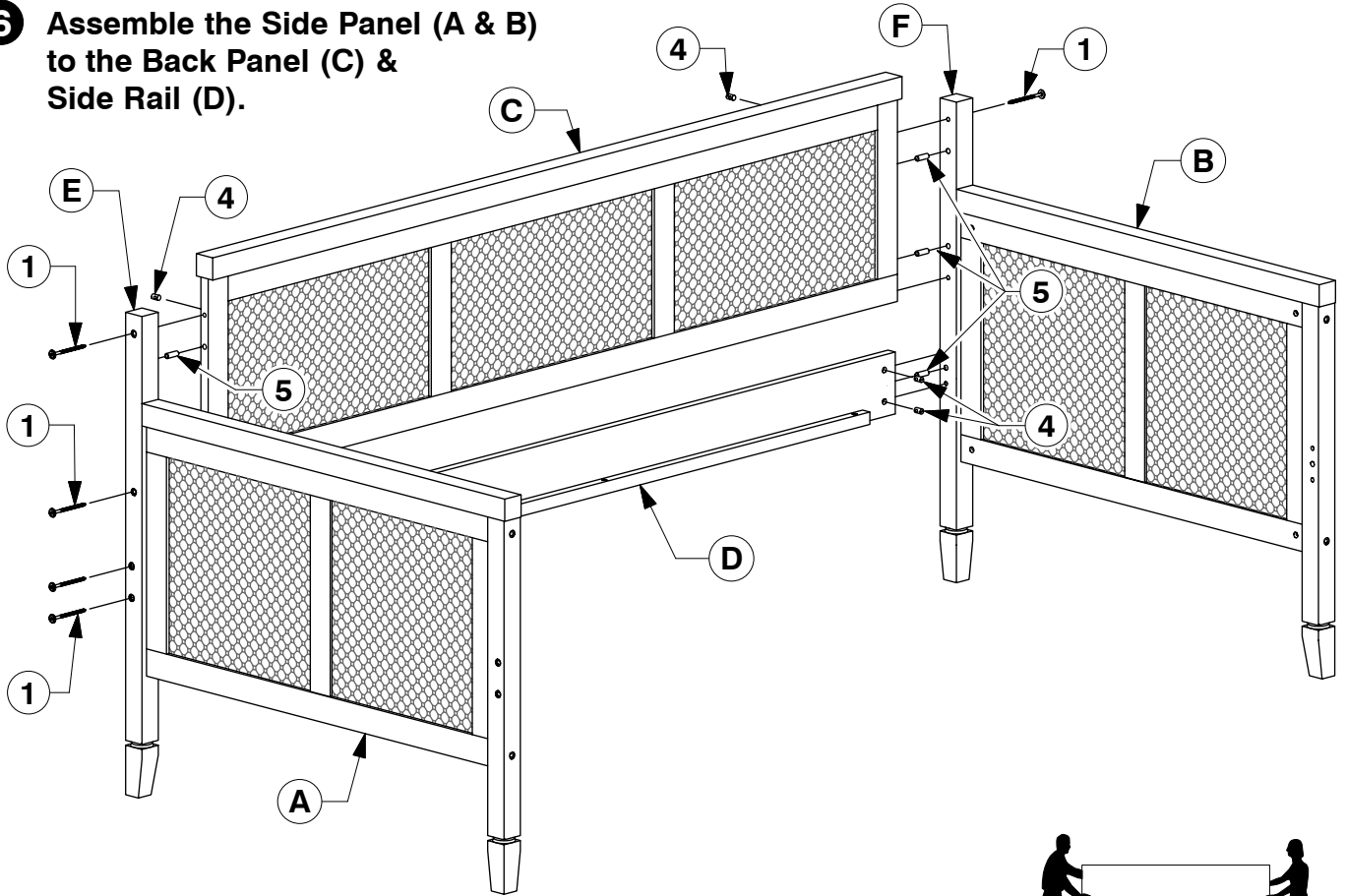
- 5** Assemble the Front Post (G/H) to the Side Panel (A/B).



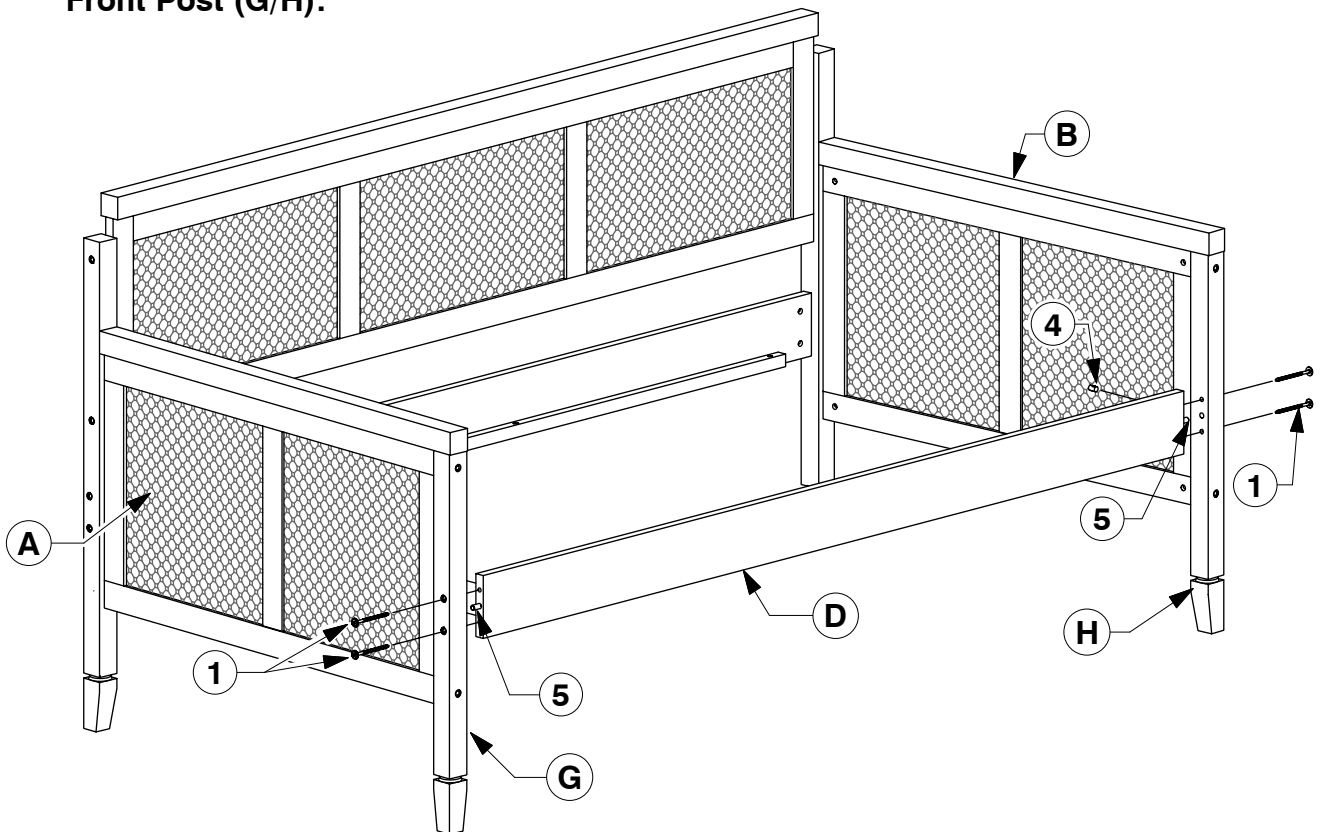
# Daybed

Assembly Instructions

**6** Assemble the Side Panel (A & B) to the Back Panel (C) & Side Rail (D).



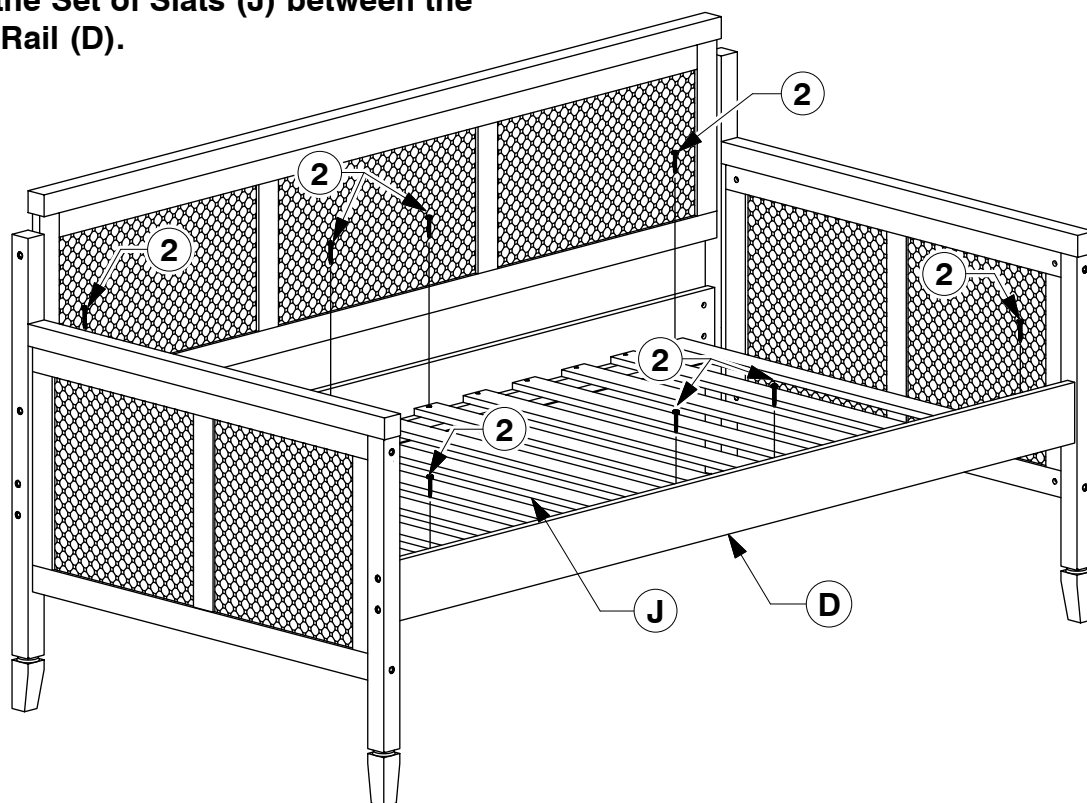
**7** Assemble the Side Rail (D) to the Front Post (G/H).



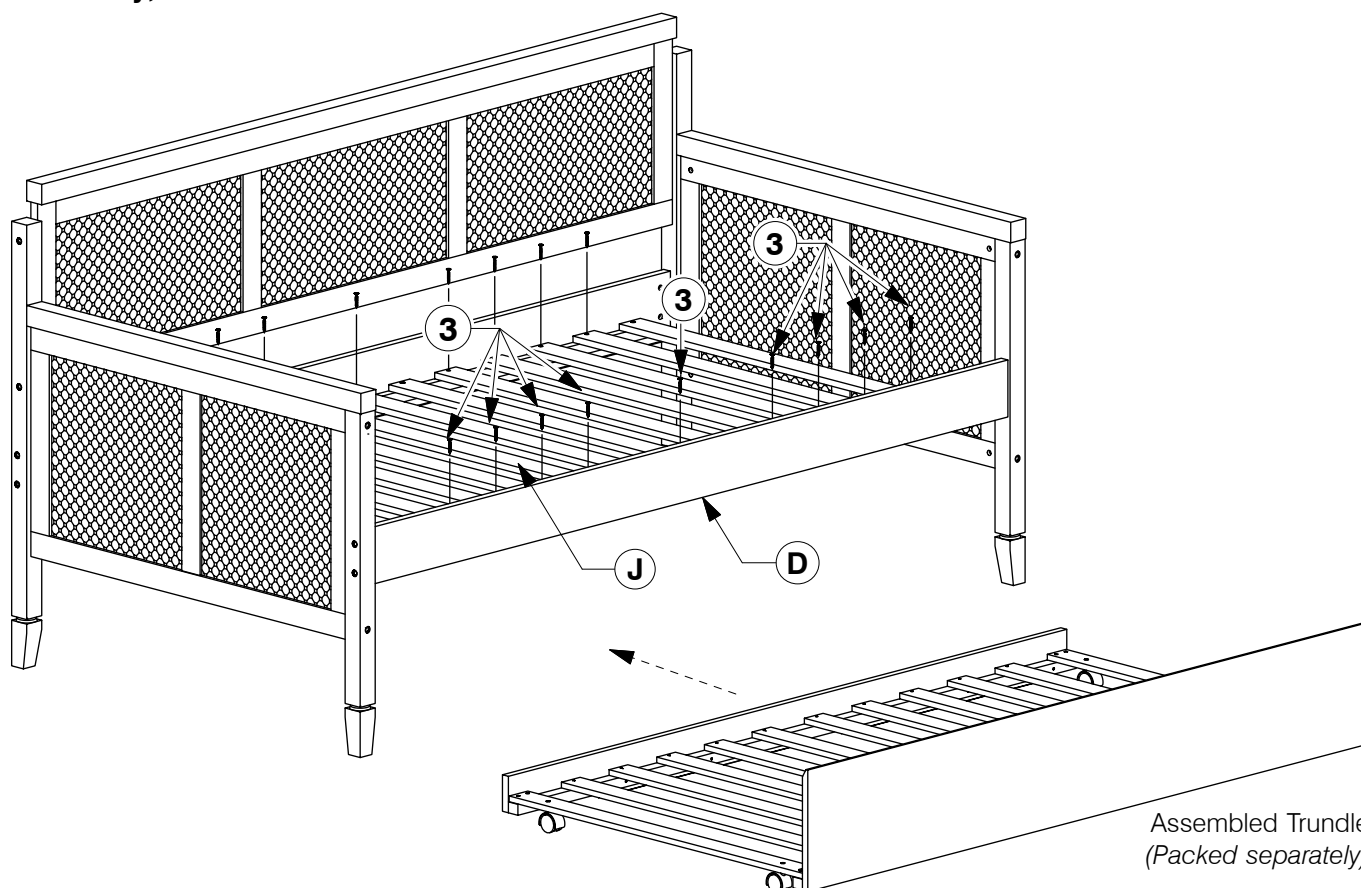
# Daybed

Assembly Instructions

- 8** Bolt the Set of Slats (J) between the Side Rail (D).



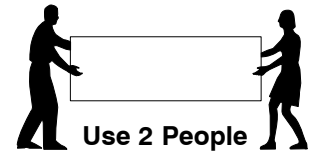
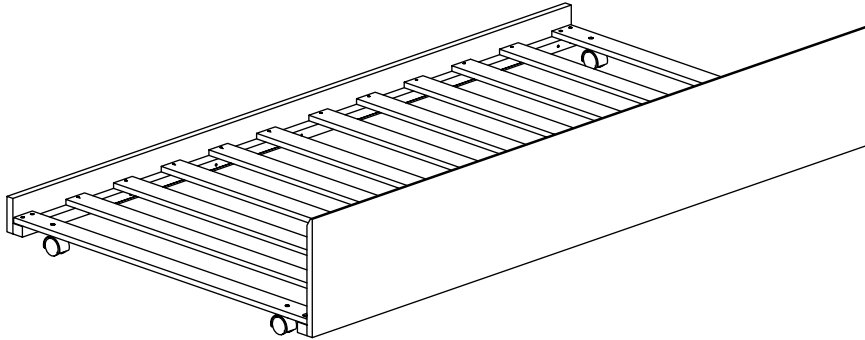
- 9** Screw the Set of Slats (J) between the Side Rail (D).  
Finally, fit the assembled Trundle.



# Daybed Trundle

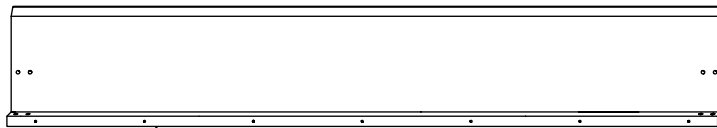
## Assembly Instructions

### 1 Assembled View

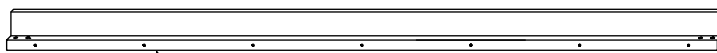


**Note:** Do not assemble using power tools. This can cause the bolts to be overtightened

### 2 Parts List



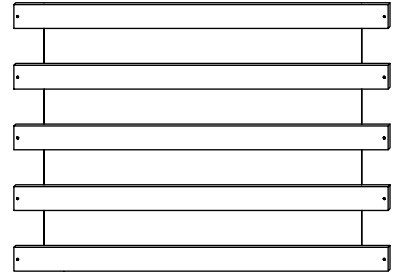
**A** Trundle Front Panel x 1



**B** Trundle Rear Panel x 1



**C** Trundle Support Rail x 2



**D** Set of Slats x 2

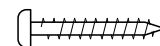
### 3 Hardware List



**1** M6 x 40mm JCB  
x 8



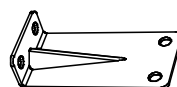
**2** M6 x 15mm JCB  
x 4



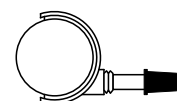
**3** Wood Screw  
(M4 x 32mm)  
x 20



**4** Allen Key  
x 1



**5** Metal  
Bracket x 2

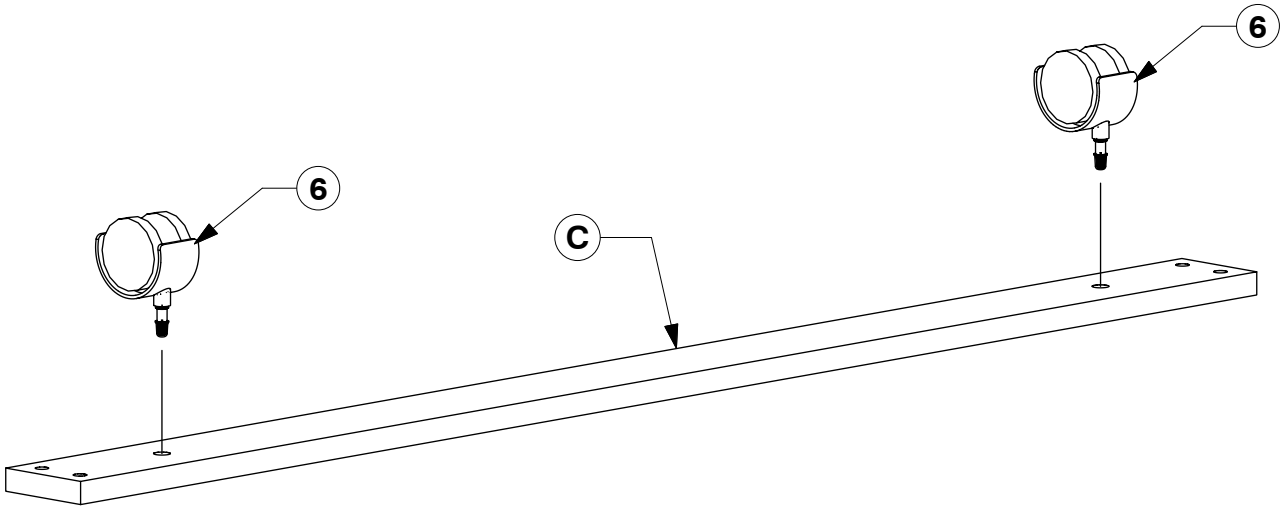


**6** Wheels  
x 4

# Daybed Trundle

## Assembly Instructions

- 4** Fit the Wheels (6) to the Trundle Support Rail (C).



- 5** Assemble the Set of Slats (D) & Trundle Support Rail (C) to the Trundle Front Panel (A) & Trundle Rear Panel (B).

