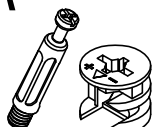
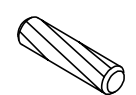




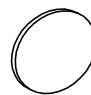
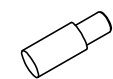

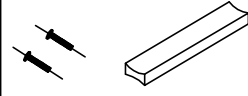

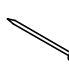




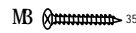
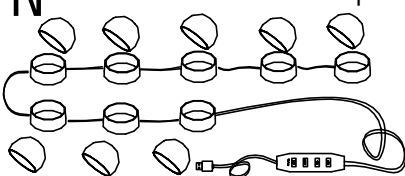
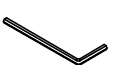
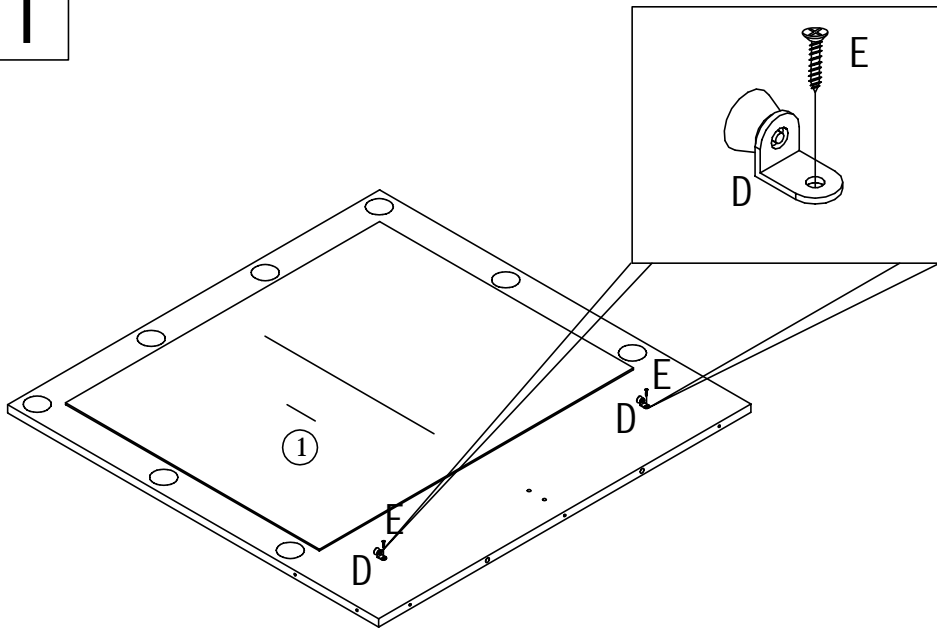


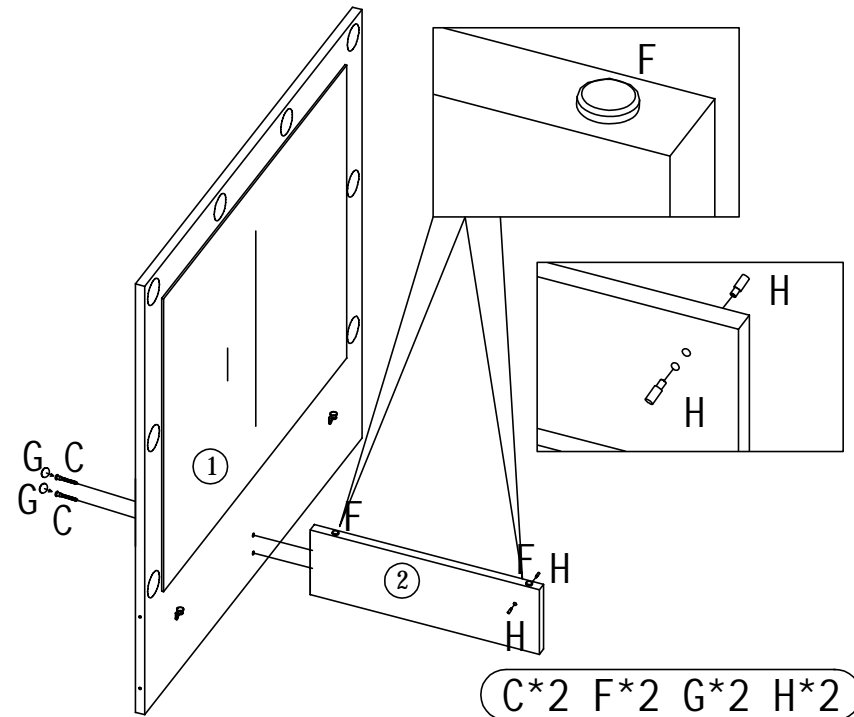
A 19pcs  15*34	B 9pcs  40*8mm	C 37pcs  40*5mm	D 6pcs 	E 18pcs  14*3.5mm	F 6pcs  12*2mm	G 51pcs  Ø20	H 9pcs 
I 10pcs 	J 3pcs  18mm 96mm	K 2pcs  hi nge	L 20pcs 	M 2pcs M1  M4  14*3.5mm M2  M5  M3  35*3.5mm	N 1pcs 		

1



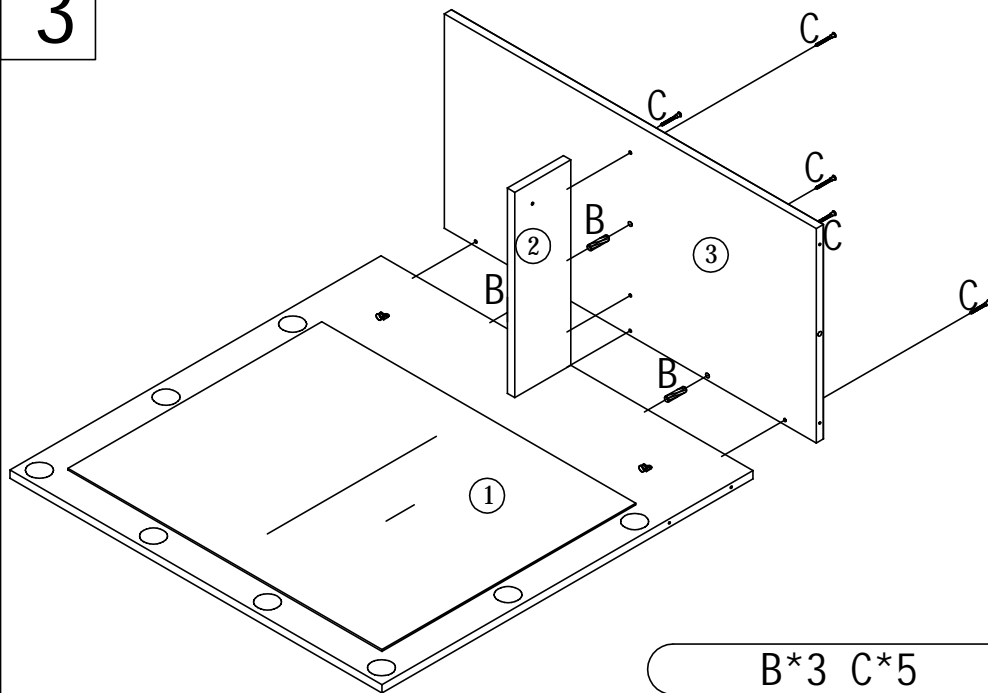
D*2 E*2

2



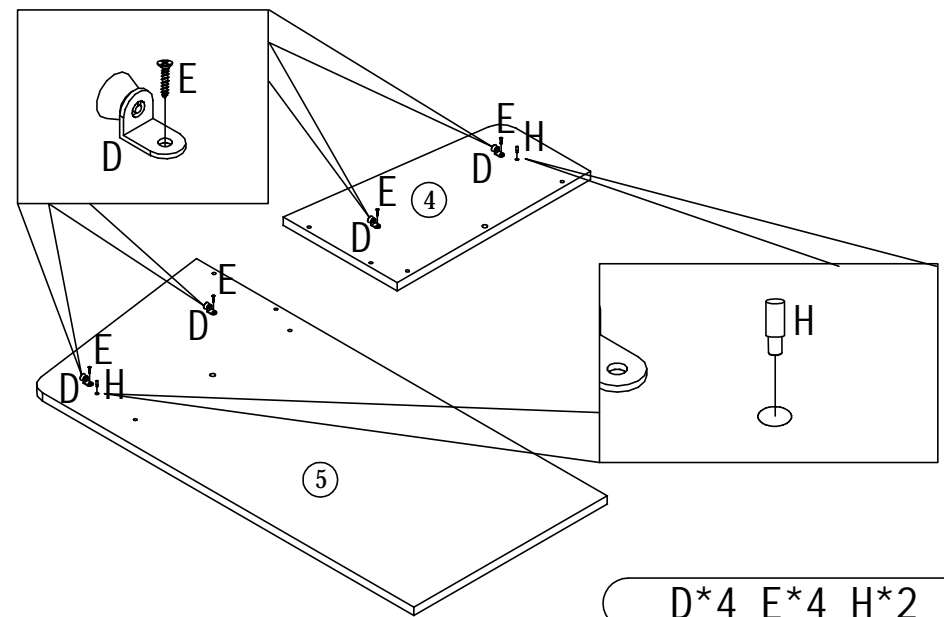
C*2 F*2 G*2 H*2

3



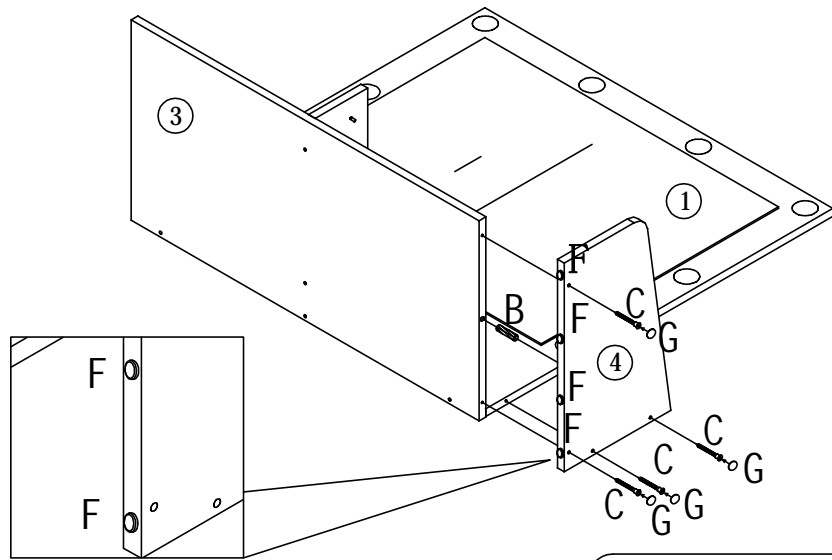
B*3 C*5

4



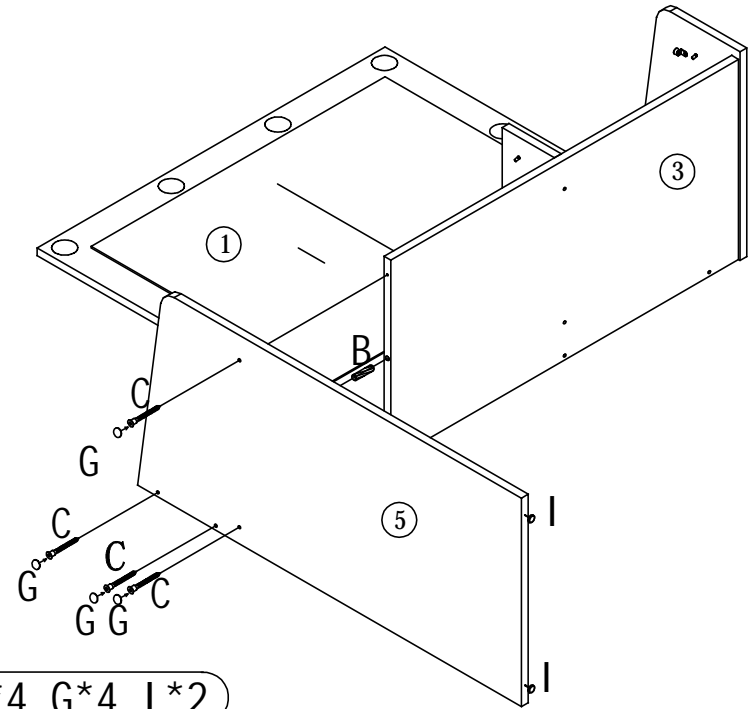
D*4 E*4 H*2

5



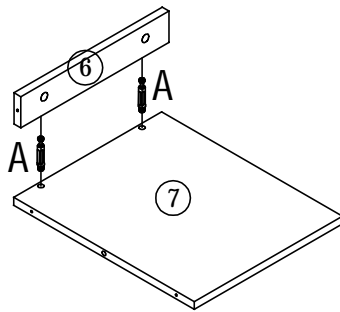
B*1 C*4 F*4 G*4

6

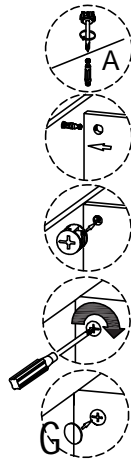


B*1 C*4 G*4 I*2

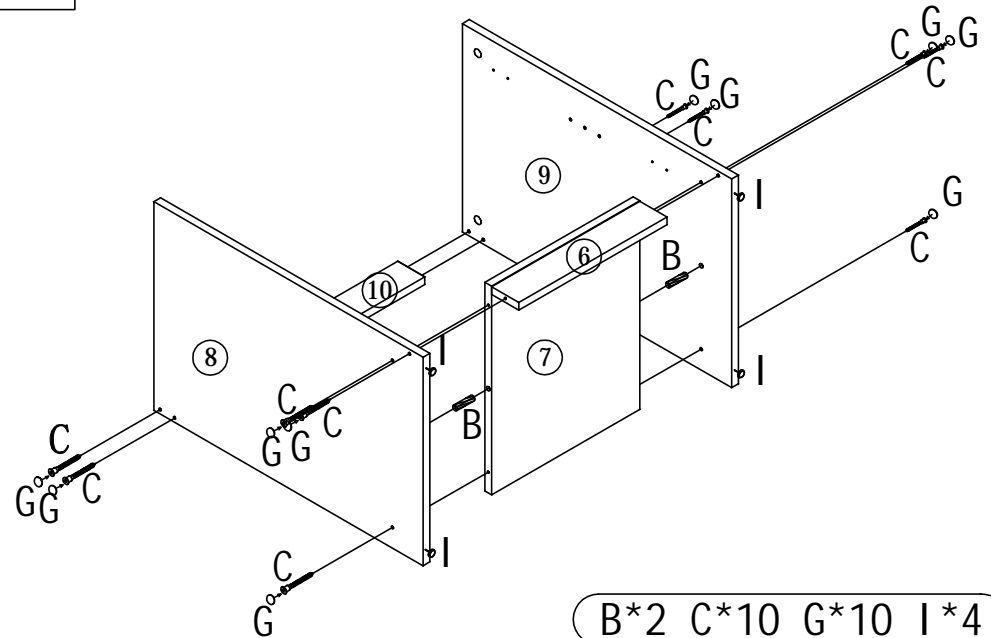
7



A*2 G*2

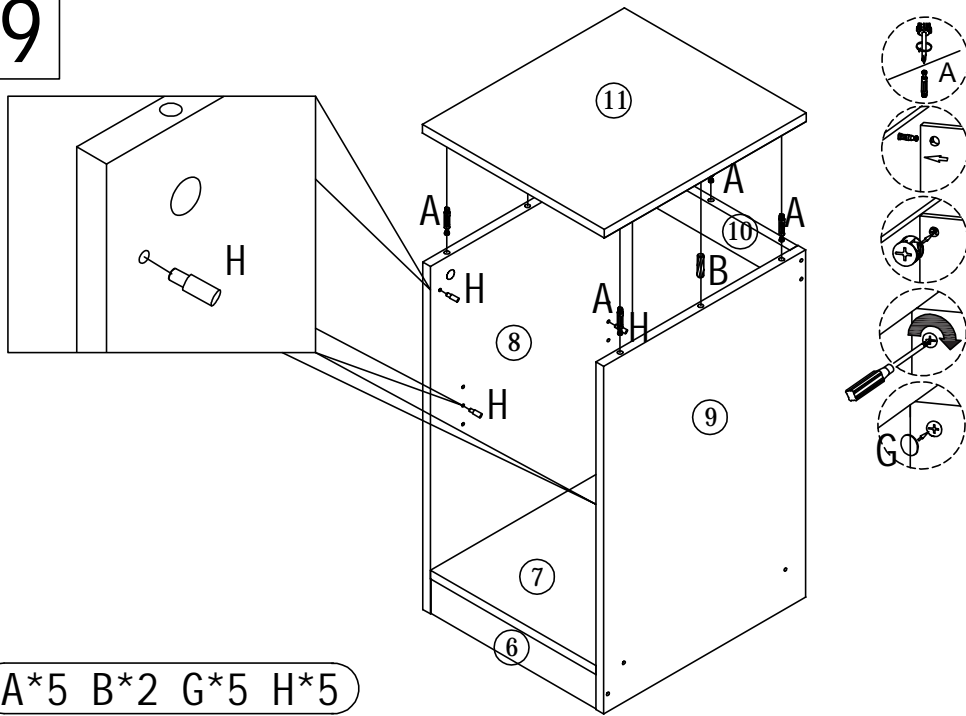


8

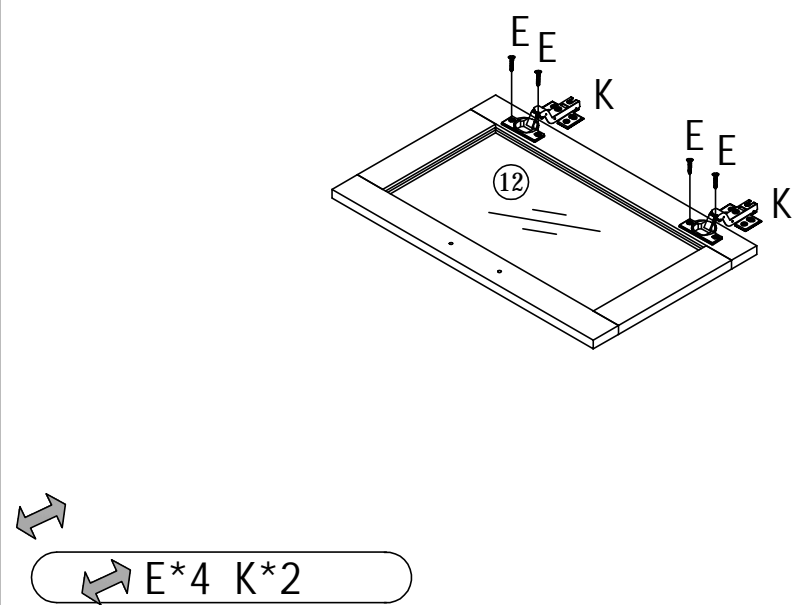


B*2 C*10 G*10 I*4

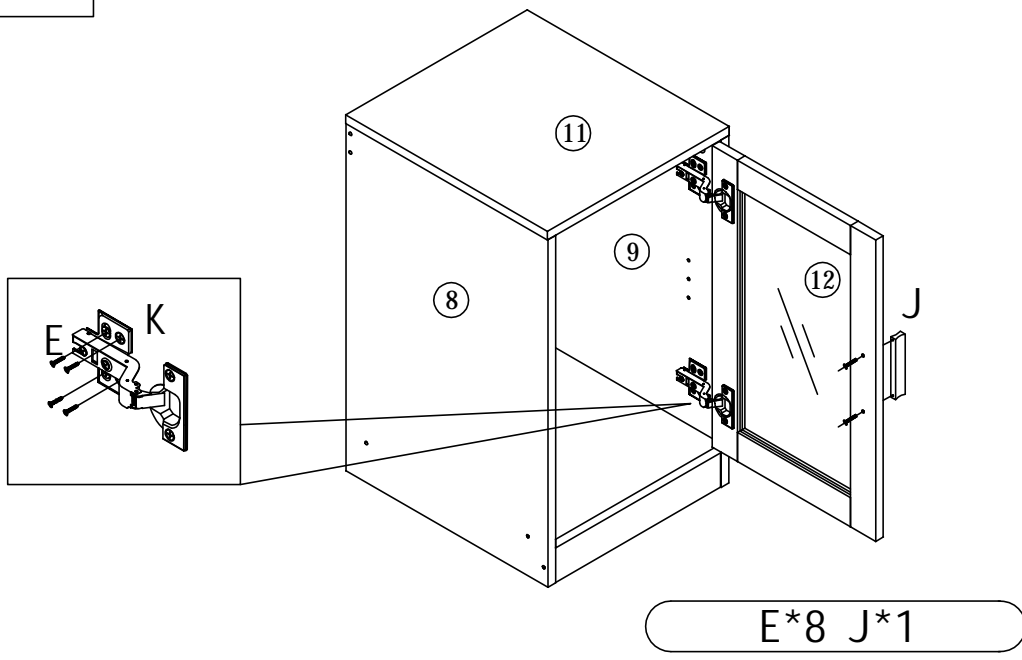
9



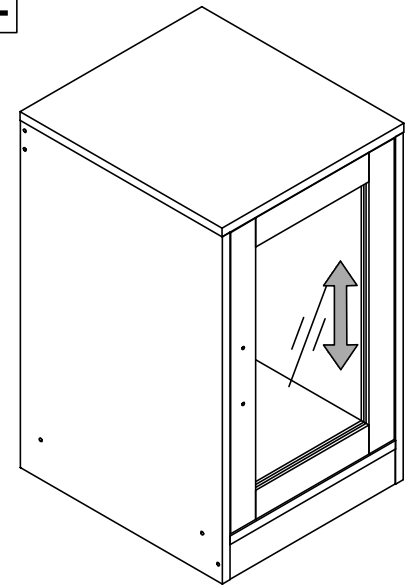
10



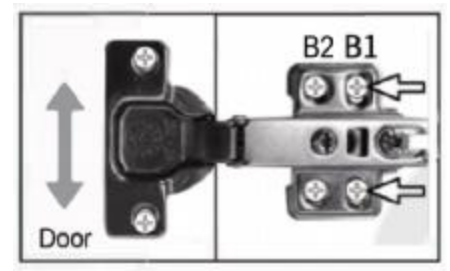
11



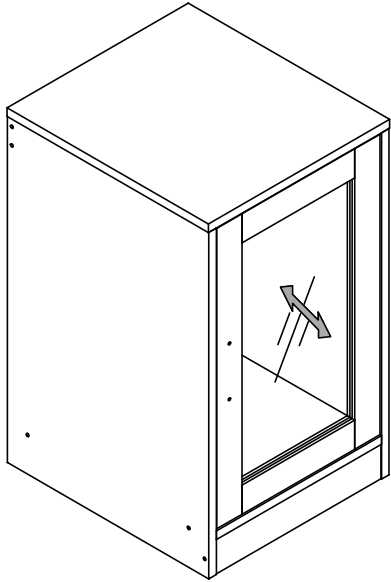
12



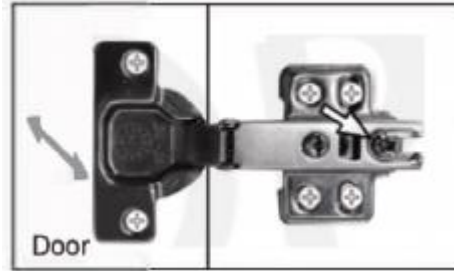
● Height Adjustment
Loosen screws at B1&B2
and move door up or
down as required.
Retighten Screws at B1&
B2.



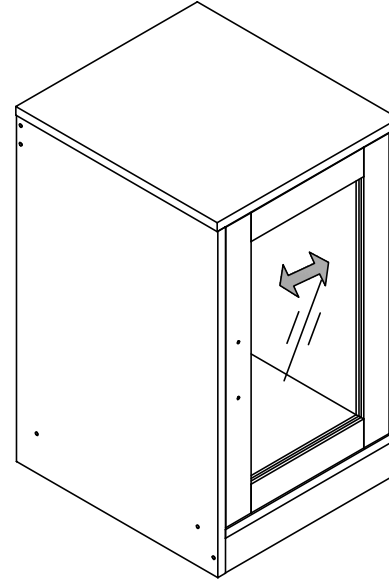
13



● Forward and Back adjustment.
Loosen screw shown and move door in or out as required.
Retighten Screw.



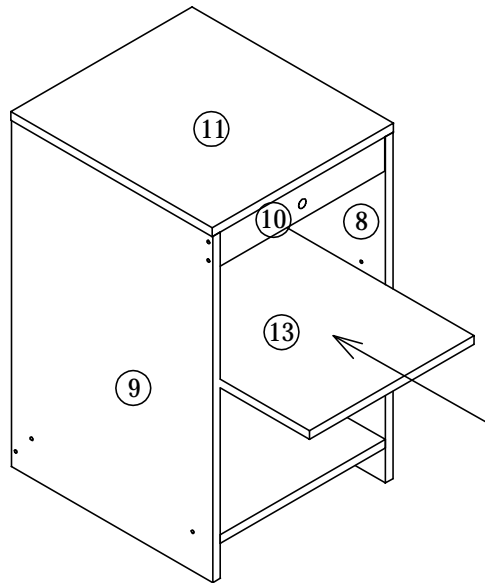
14



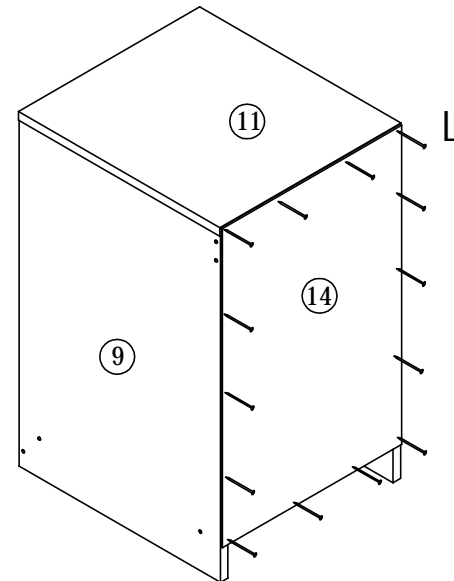
Adjust the doors if needed
● Sideways adjustment
Loosen and tighten screw shown, to move doors left or right as required



15

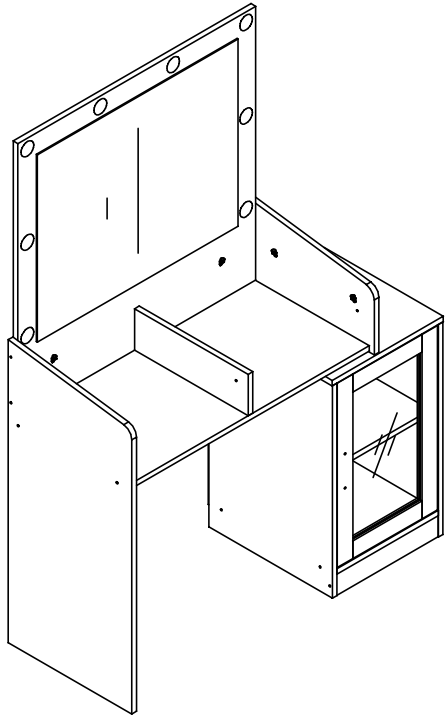


16

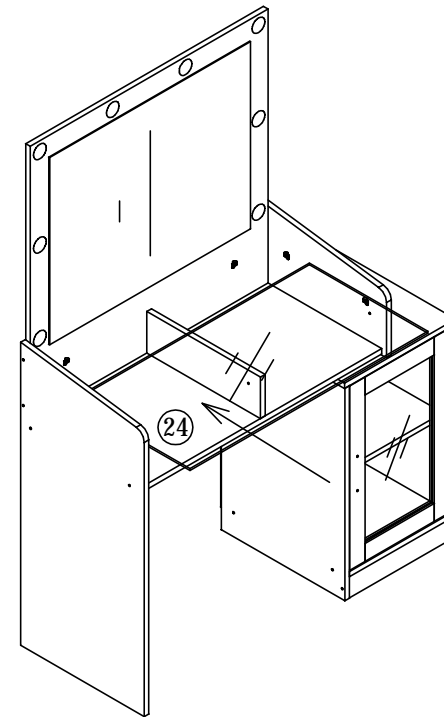


L*20

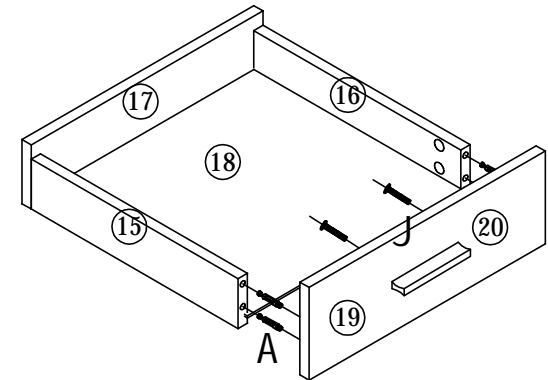
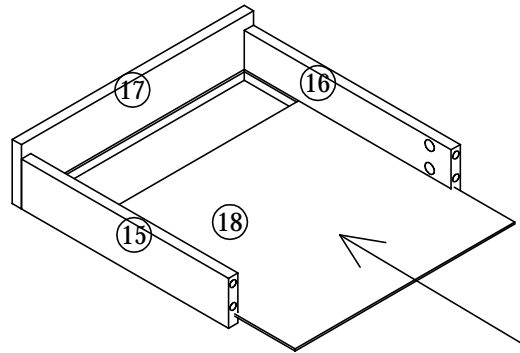
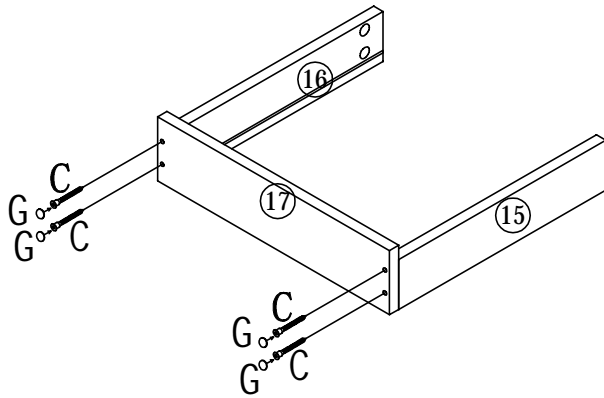
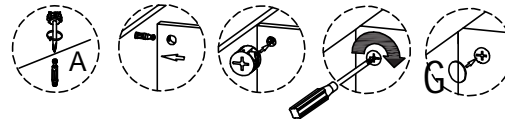
17



18



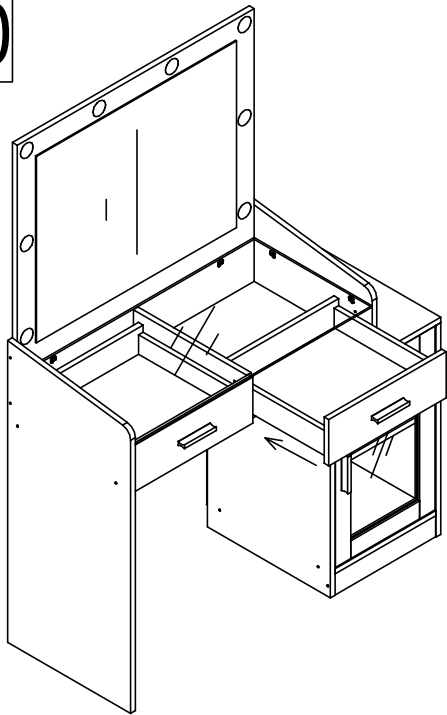
19



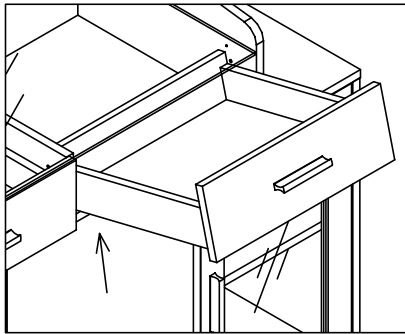
A*4 C*4 G*8 J*1

X2

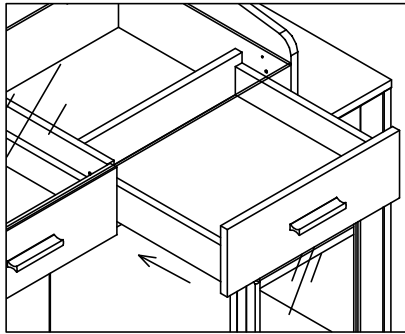
20



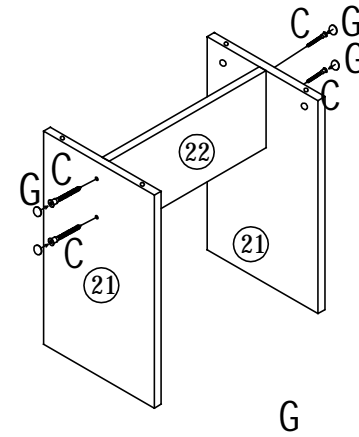
a:



b:

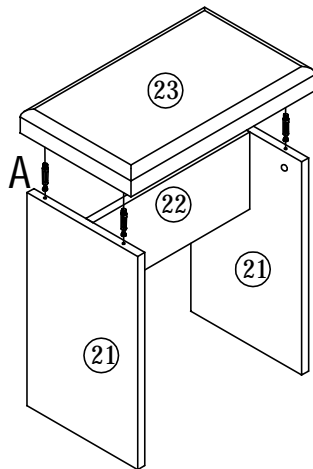
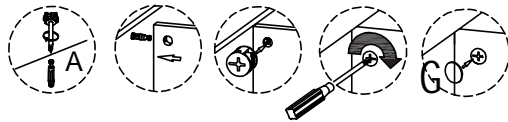


21



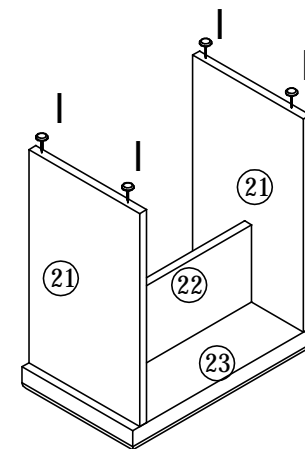
C*4 G*4

22



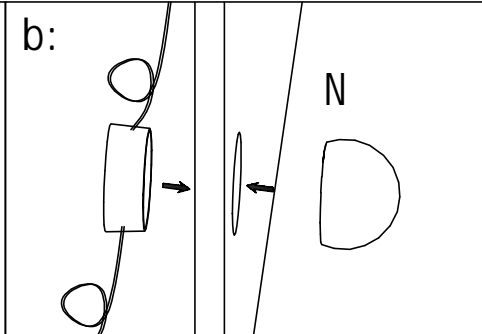
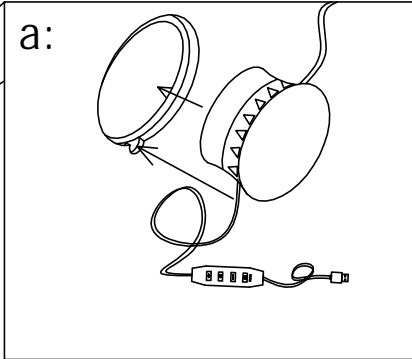
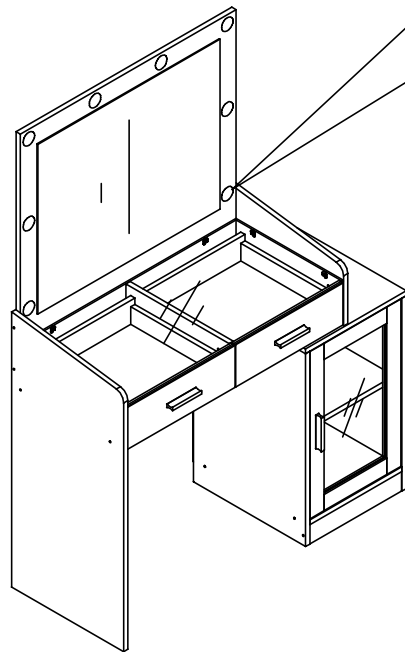
A*4 G*4

23



I*4

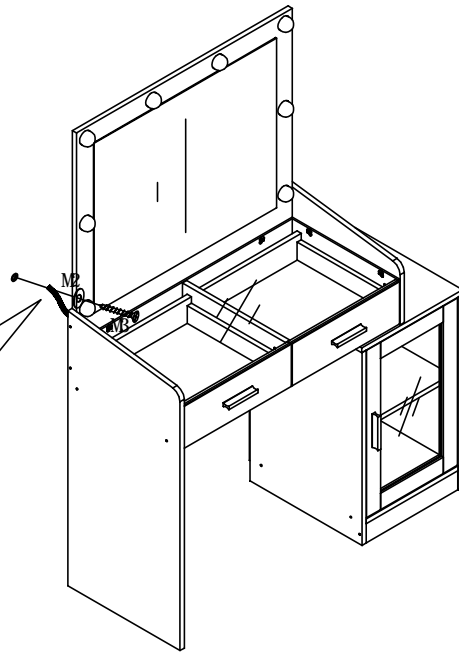
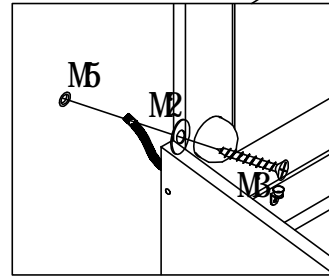
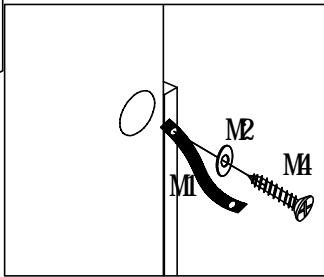
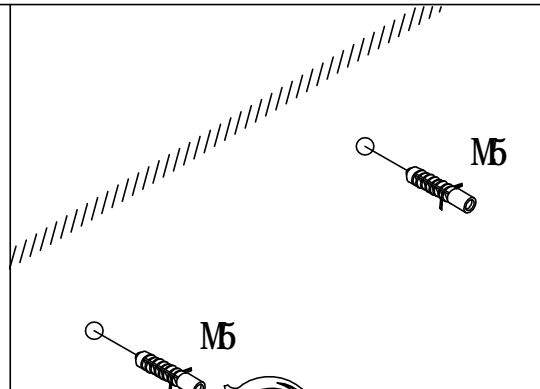
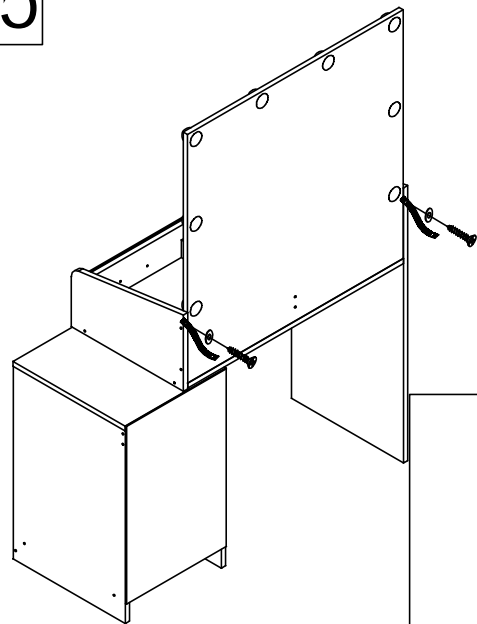
24



Please adjust the distance between the bulb and the bulb before installation

N*1

25



M*2

