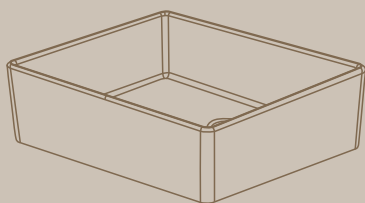
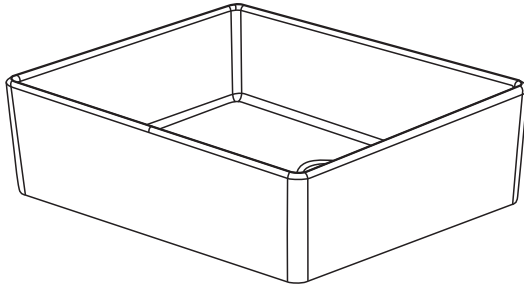


INSTALLATION INSTRUCTIONS



Bathroom Vessel Sink

Bathroom Vessel Sink



Questions, problems, missing parts?
Before returning to the store, Email
Our Customer Service
servicefast1@outlook.com

THANK YOU

Safety Information

Before installing this sink, read this instruction manual carefully. It contains important information concerning the safe installation, operation, and maintenance of your sink. Retain this manual for future use. In the event of sale, transfer, or relocation, ensure this manual remains with the sink.



WARNING: *Keep all packaging materials out of the reach of children to prevent possible choking or suffocation.*



WARNING: *Handle with care. Vitreous chinaware is glass-like with sharp edges if broken. Do not drop, handle roughly, or overtighten bolts.*

Warranty

LIMITED LIFETIME WARRANTY

Our products are manufactured with superior quality standards and workmanship and are backed by our limited lifetime warranty.

Our products are warranted to the original consumer purchaser to be free of defects in materials or workmanship. We will replace FREE OF CHARGE any product or parts that proves defective.

Pre-Installation

Compare all parts with the Hardware Included and Package Contents lists in this manual. Check the surface of the sink for any flaws or damage, including dents, bends, bumps, or scuff marks. If any damage is noticed or parts are missing, do not proceed with the installation. Contact the Customer Service Team.

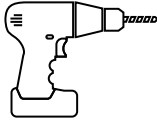
Packing list

Part	Item	Quantity
A	Sink	1
B	Cut Template	1
C	Use and care manual	1

TOOLS REQUIRED



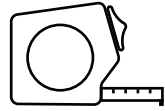
Goggles



Drill



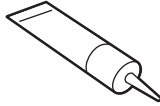
5/16" diamond
drill bit



Tape



Ruler



Sealant



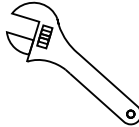
Flat
Shovel



Philips
screwdriver



Flat
screwdriver



Wrench



Pipe
Wrench



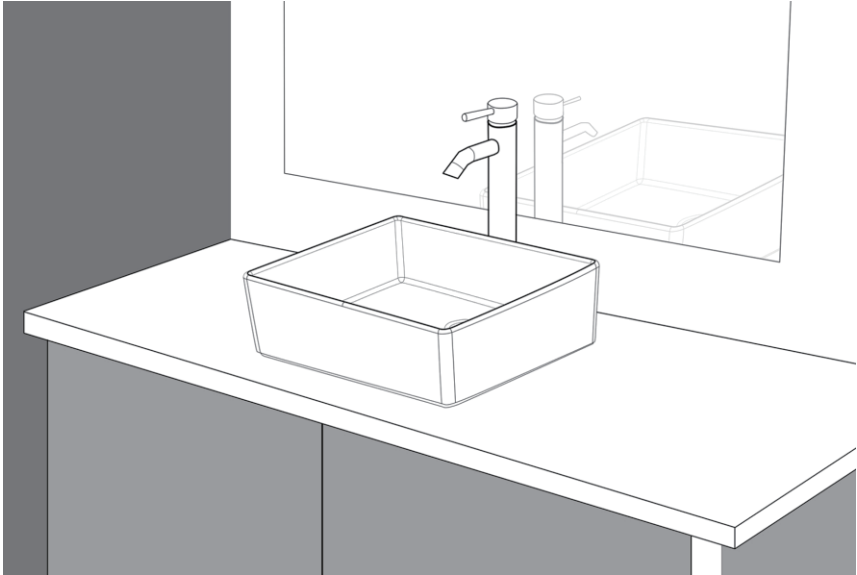
Expoxy

IMPORTANT: We strongly recommends that this product be installed by a licensed plumber. Ensure that installation complies with applicable plumbing and building codes.

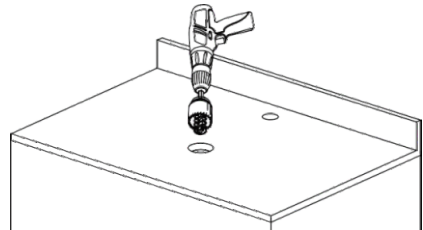
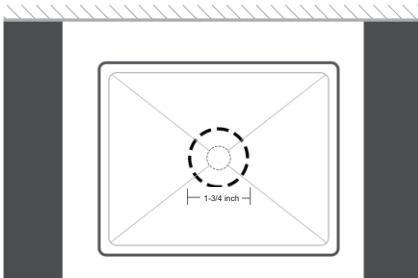
Installation

- 1 Put the sink onto the countertop to determine the optimal placement before installation. (Note: Minimum clearance distance is required for the sink faucet)

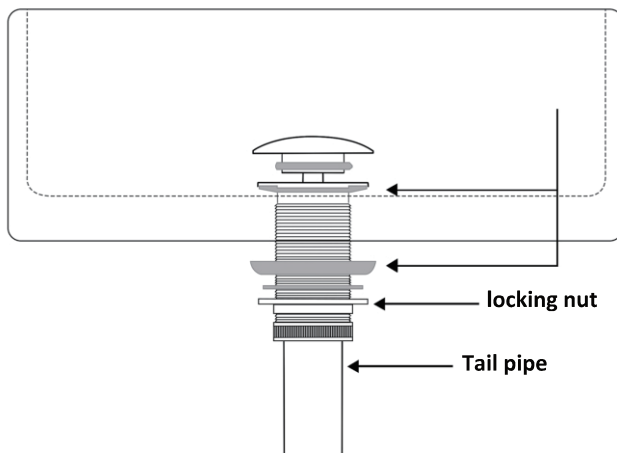
Place the sink in the desired position on the countertop and mark the centerline of the drain and faucet holes with a pencil.



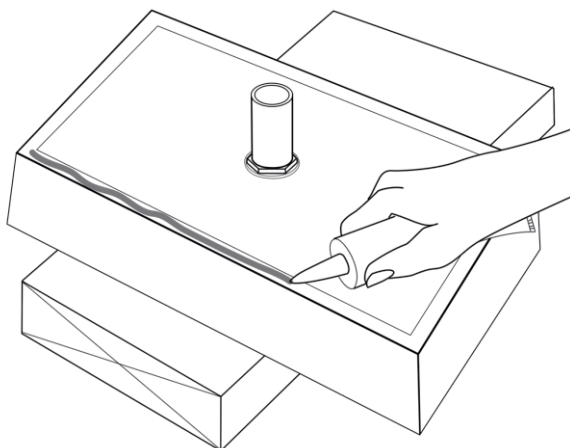
- 2 Once the position is confirmed, mark the center of the drain hole and set aside the vessel sink. Draw a 1-3/4 inch diameter circle around the center of the drain hole. Use a jigsaw or a power tool to cut the opening on the countertop.



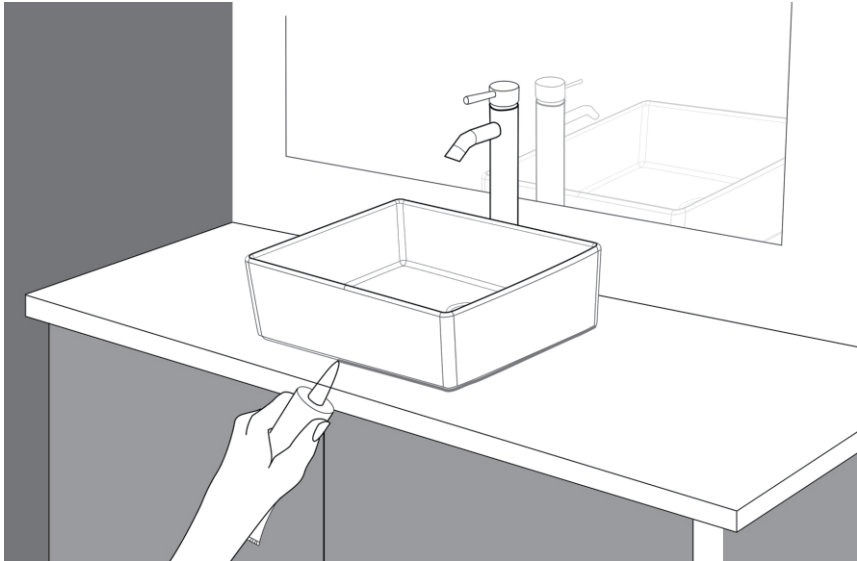
- 3** Install the drain according to manufacturer's installation instructions.
(Note: The drain is not included in the package. Do not overtighten the drain, which will damage the sink surrounding area.)



- 4** Apply silicone adhesive around the bottom rim of the vessel sink and place the sink onto the countertop. Plumber's putty can be used to level the sink.



- 5** Install the sink well and connect P-trap to the drain and check for alignment. Apply some caulking around the base of the sink to seal any gap between the sink and the countertop.



Care and Cleaning

For best results in caring for your sink, we suggest the following:

- Clean the outside surface with mild soap, warm water, and a soft cloth.
- On stubborn stains, use a powdered detergent and damp sponge or nylon scouring pad.
- Never use abrasive scouring powders, cleansers, or pads because they will scratch, damage, and dull the surface.

