


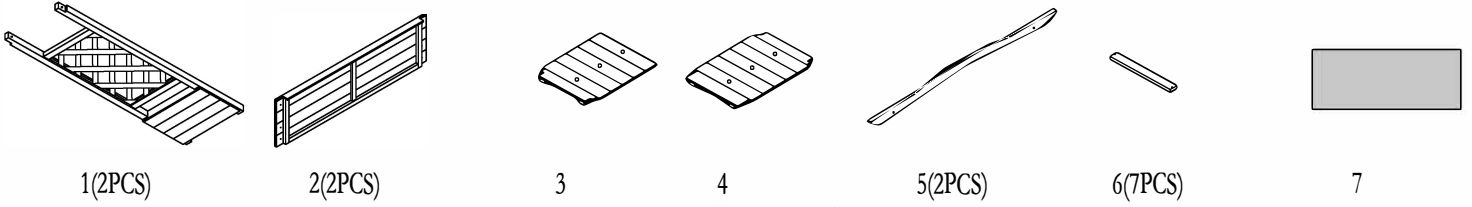
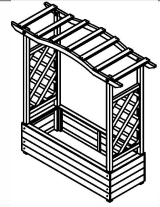
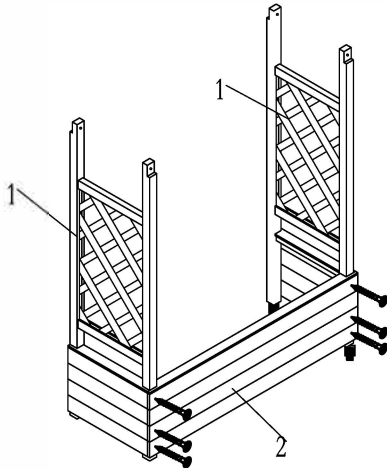


SCREWS:

- Ⓐ  M6 x 50 4pcs
- Ⓑ  Ø3.5 x 25 12+1pcs
- Ⓒ  Ø30 x 30 14+1pcs

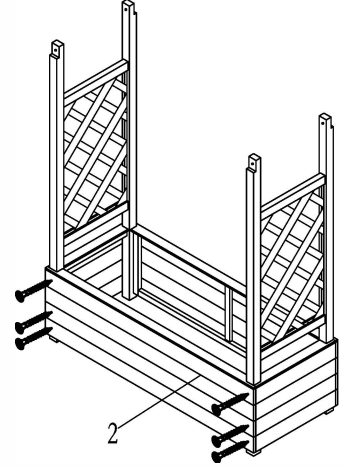


STEP 1



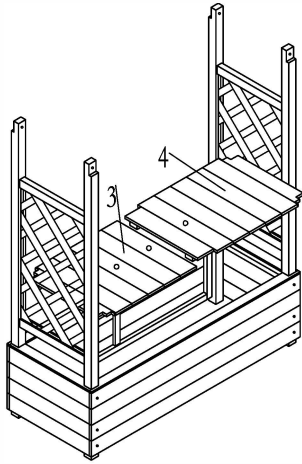
- Ⓑ  Ø3.5 x 25 6pcs

STEP 2

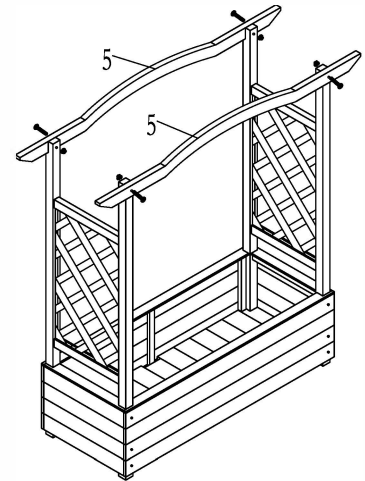


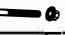
- Ⓑ  Ø3.5 x 25 6pcs

STEP 3

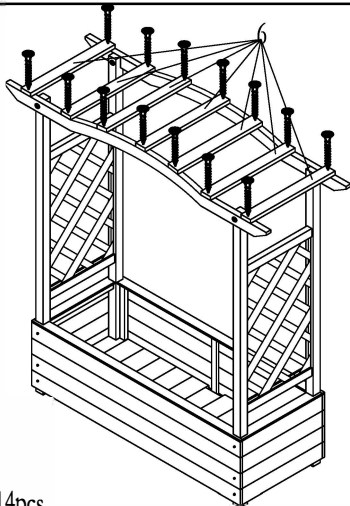



STEP 4



- Ⓐ  M6 x 50 4pcs

STEP 5



- Ⓒ  Ø30 x 30 14pcs

STEP 6

