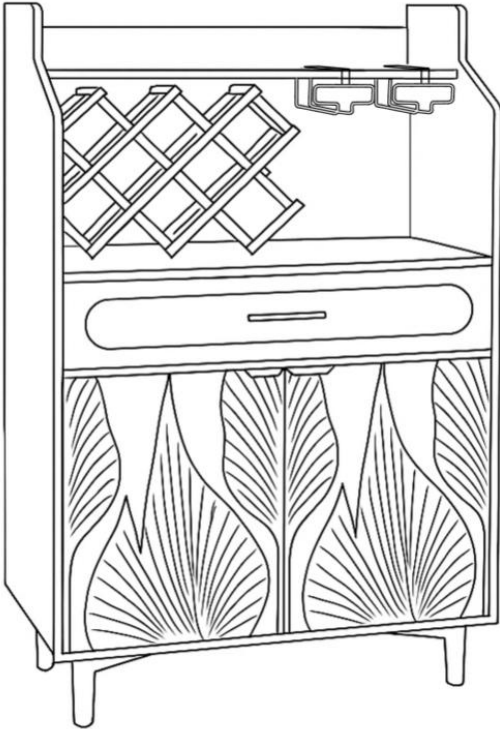


Ahokua

Assembly Instruction

Accent Cabinet



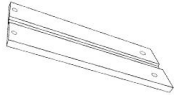
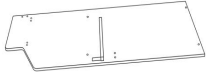

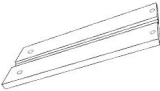
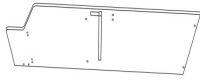
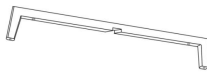
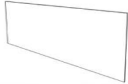

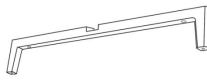


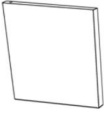
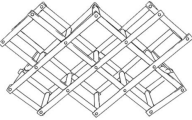

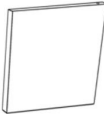
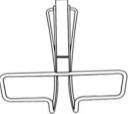
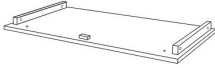














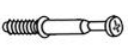





⚠ WARNING:

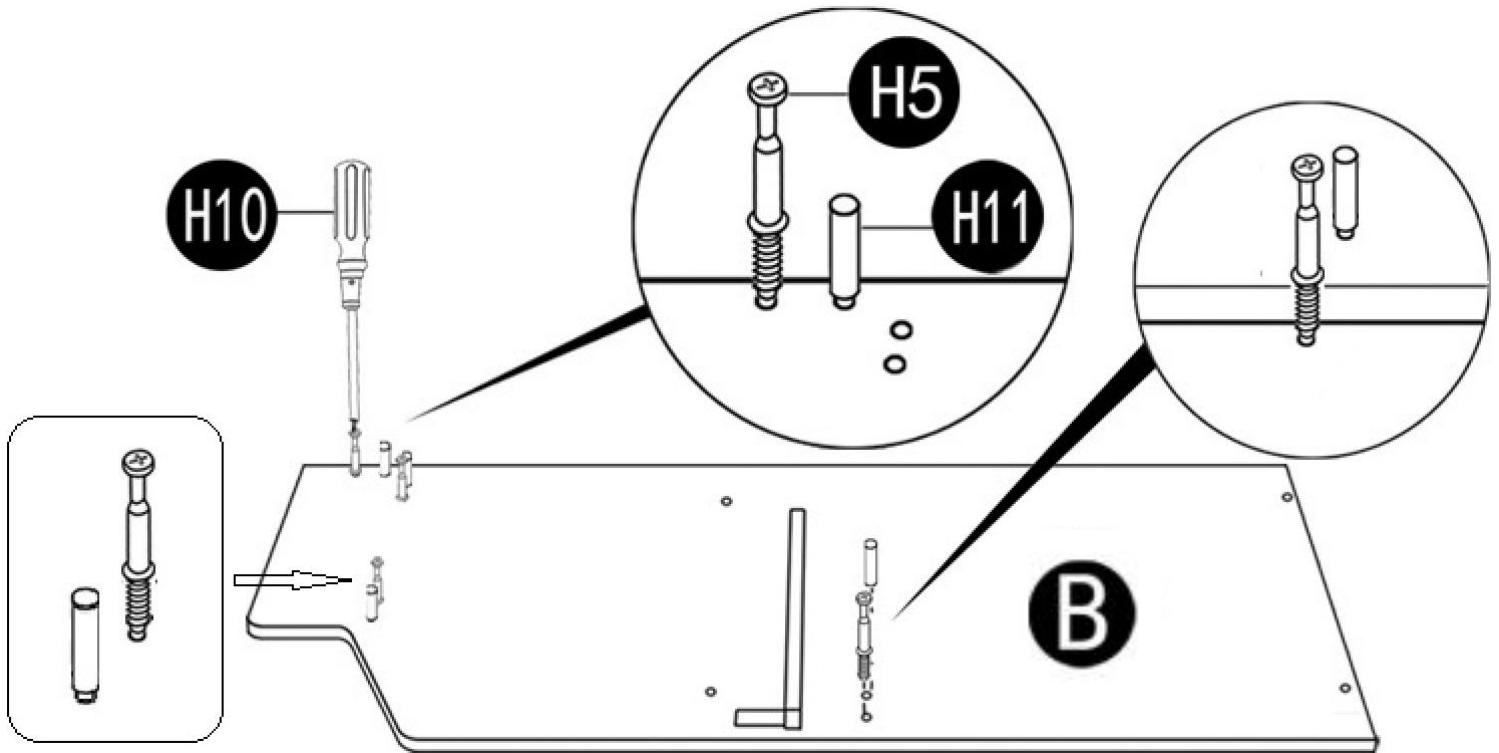
- Read all instructions carefully and completely before assembly and use.
- Retain for future reference.
- **DO NOT use power tools.**
- **DO NOT over-tighten hardware.**
- Periodically check all hardware and re-tighten as necessary.
- DO NOT sit or stand on product. Use only for intended purpose.
- DO NOT exceed 80lbs for the tabletop and 30lbs for the shelf, evenly distributed.

Parts List

Check all parts before assembly

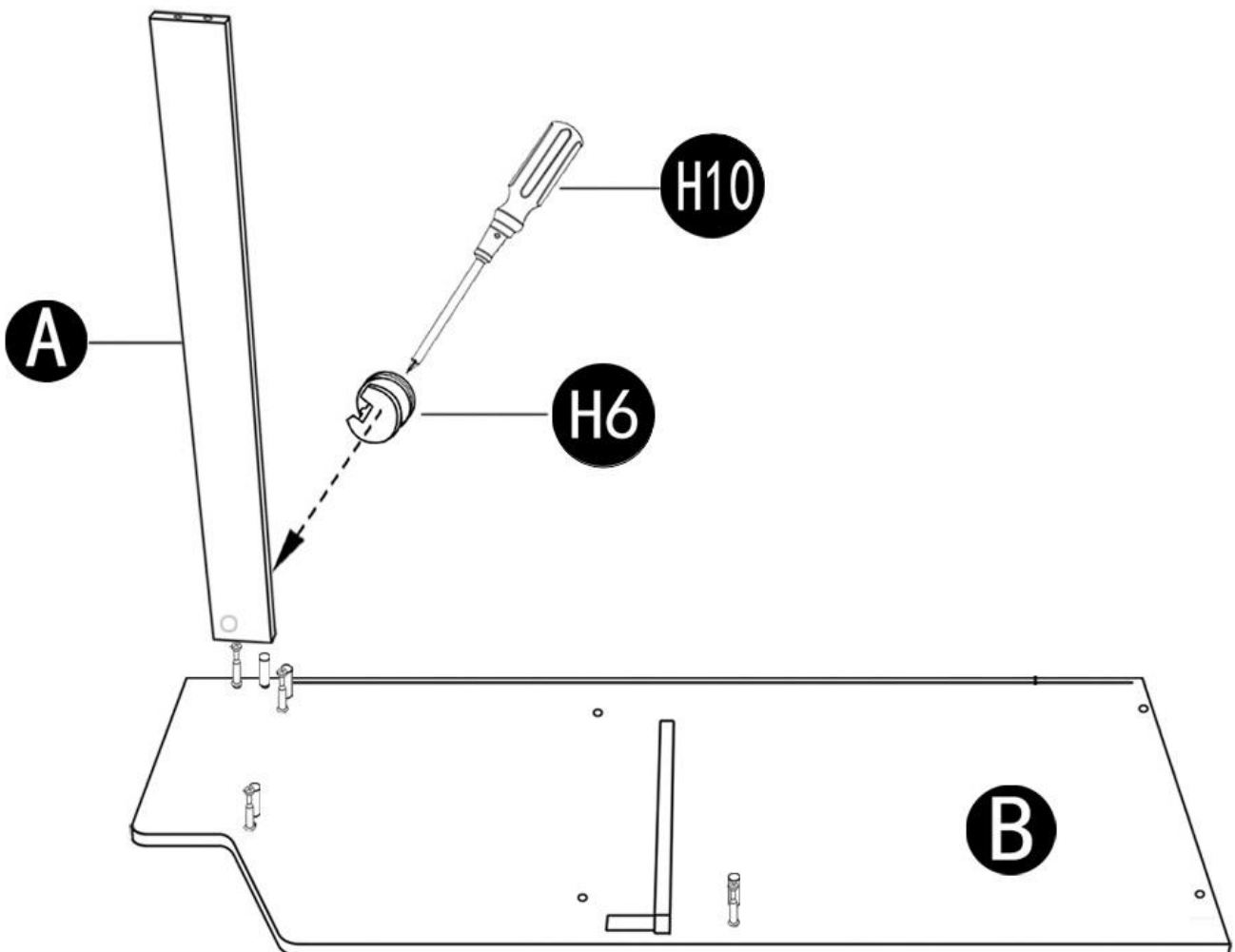
A.		1	H.		2	O.		1
B.		1	I.		1	P.		1
C.		1	J.		1	Q.		1
D.		1	K.		1	R.		1
E.		1	L.		1	S.		1
F.		1	M.		1	T.		2
G.		1	N.		1	J.		1
H1.		12+2	H7.		4+2	H13.		2+1
H2.		12+2	H8.		4	H14.		1
H3.		6+1	H9.		1	H15.		2
H4.		2+1	H10.		1	H16.		4
H5.		12+2	H11.		8+2			
H6.		12+2	H12.		4+2			

Step 1: Insert the bolt (H5) and wooden pin (H11) into the pre-drilled holes on panel (B) as shown below.

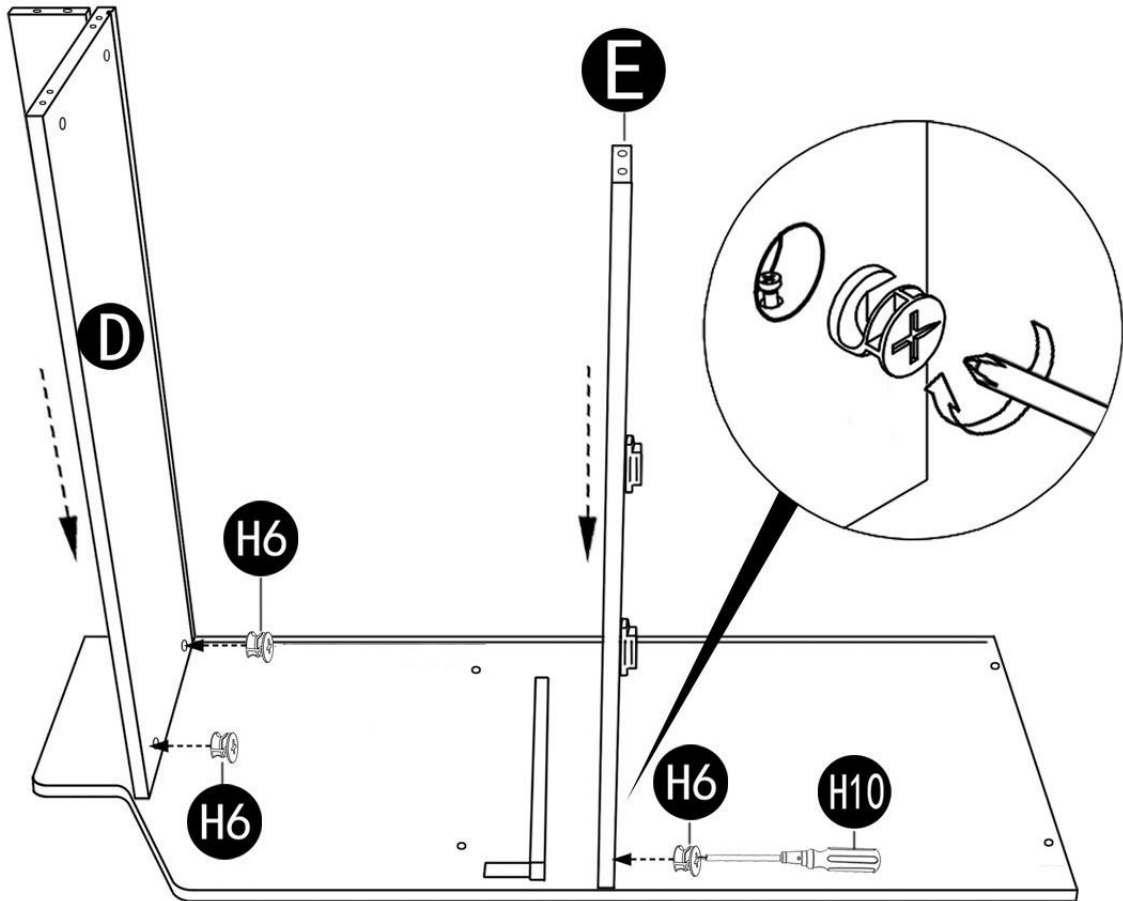


Step 2: Attach the Panel (A) to Panel (B) with Screw (H6) by Spanner (H10) as shown below.

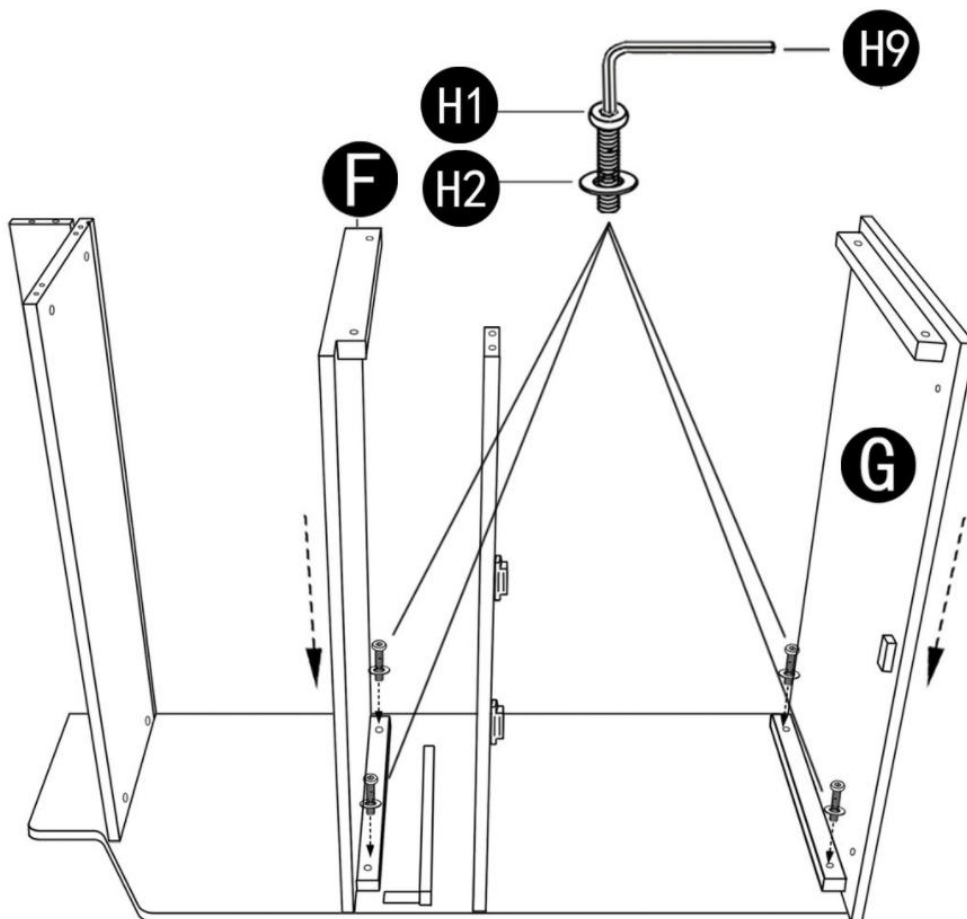
Leave hardware loose in this step.



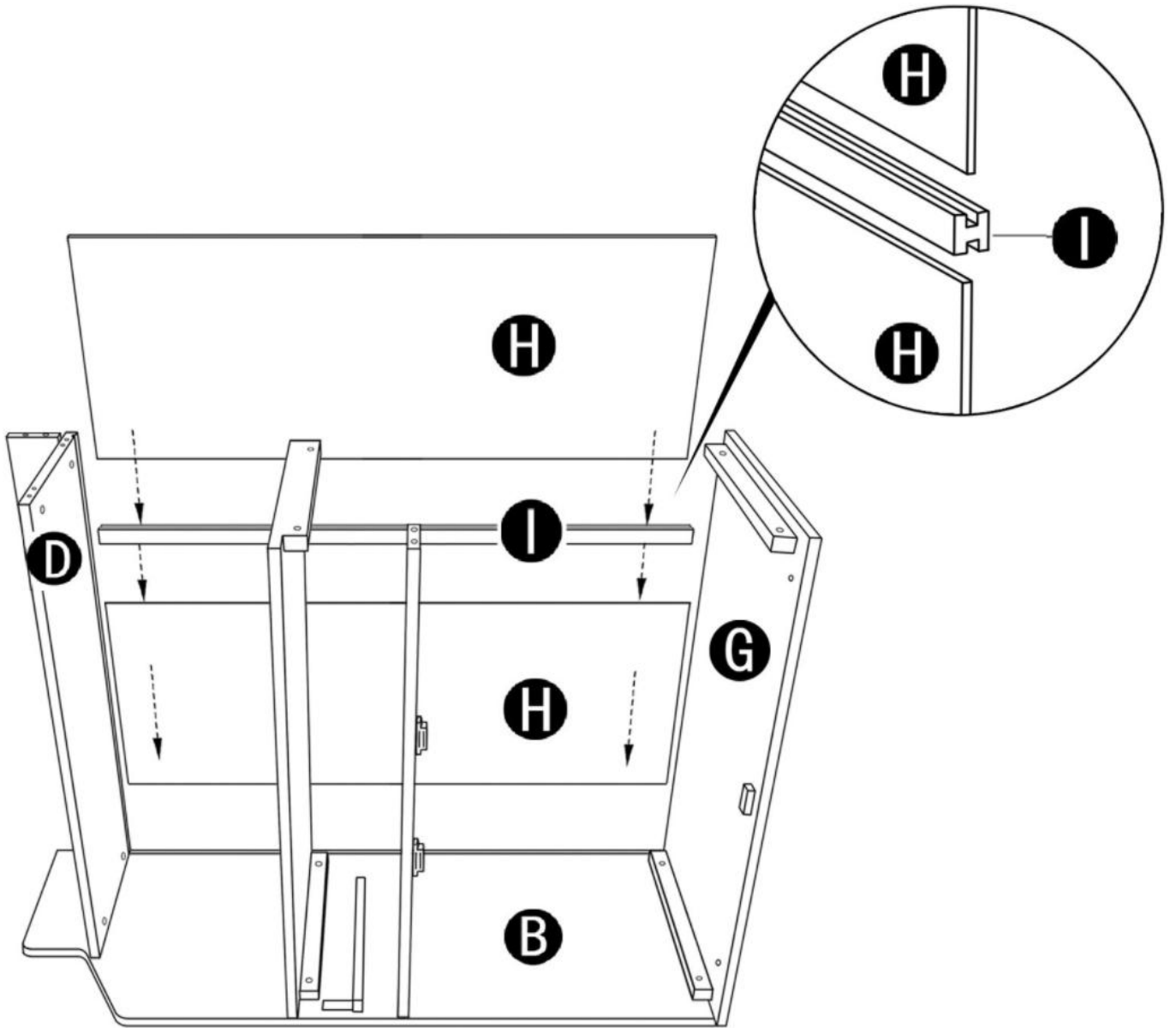
Step 3: Attach the Panel (D)& Panel (E) to Panel (B) with Screw (H6) by Spanner (H10) as shown below.
Leave hardware loose in this step.



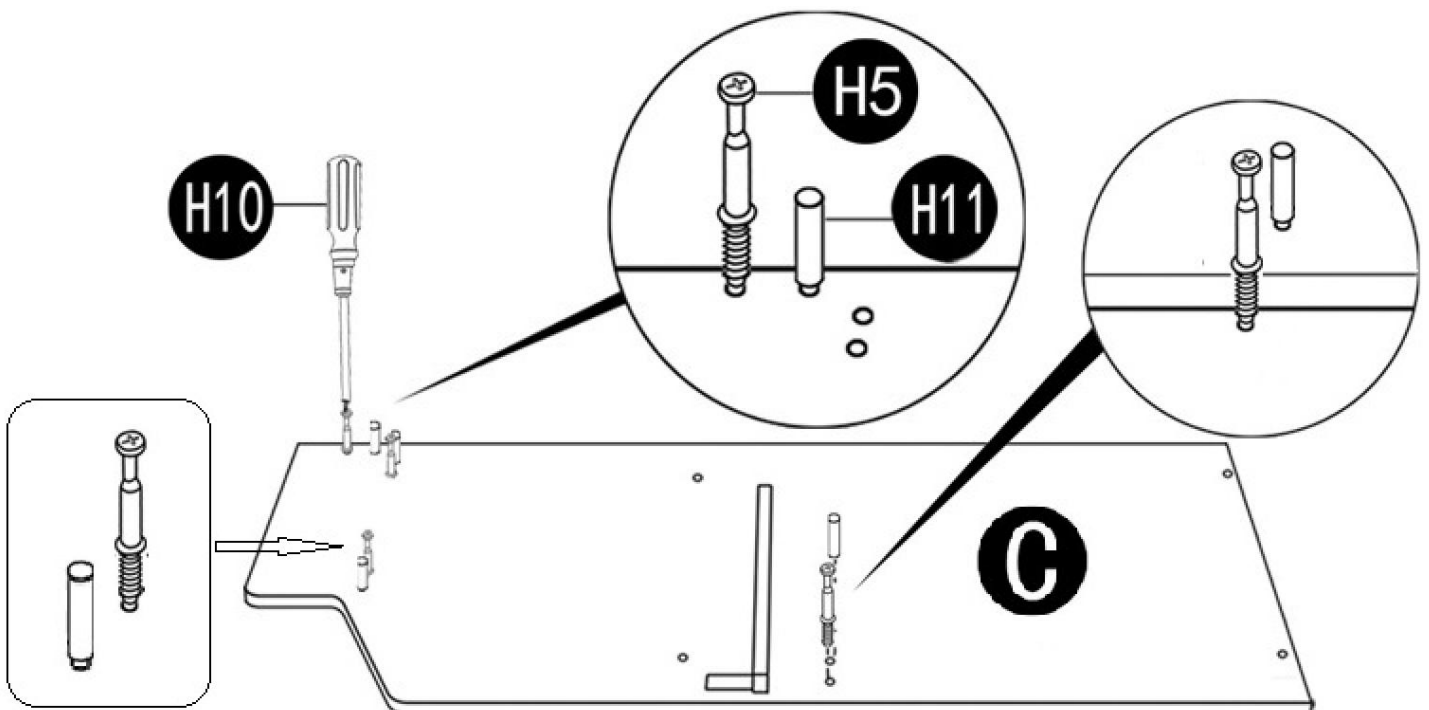
Step 4: Attach the Panel (F)& Panel (G) to Panel (B) with Hex bolt (H1)& Washer (H2) by Allen Key (H9) as shown below. **Leave hardware loose in this step.**



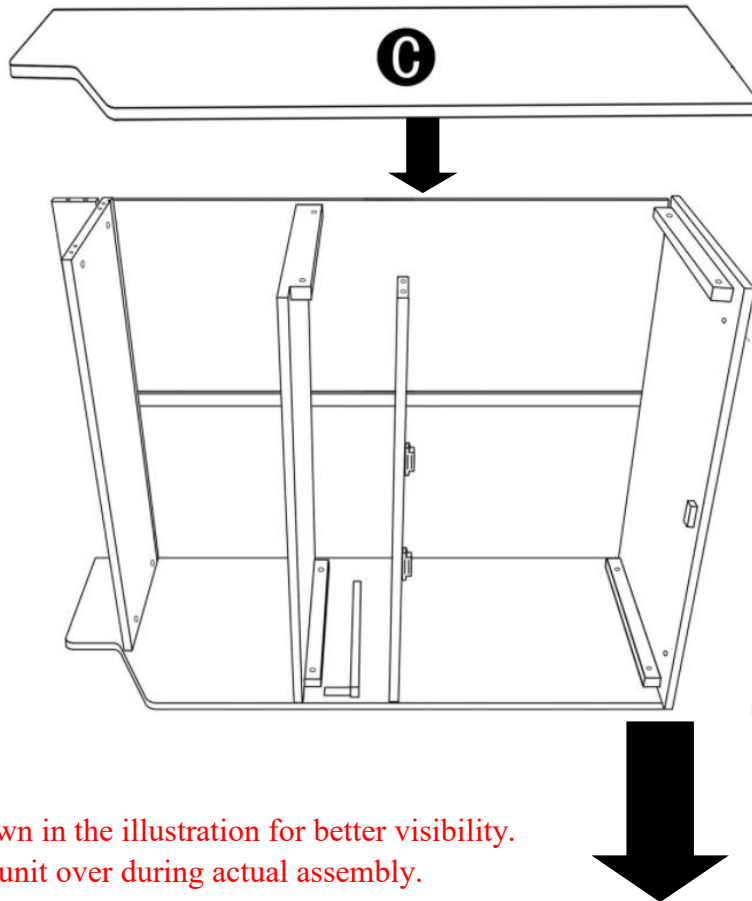
Step 5: Insert the Panel (H)& Wooden strip (I) into the Panel (D)& (G)&(B) as shown below.



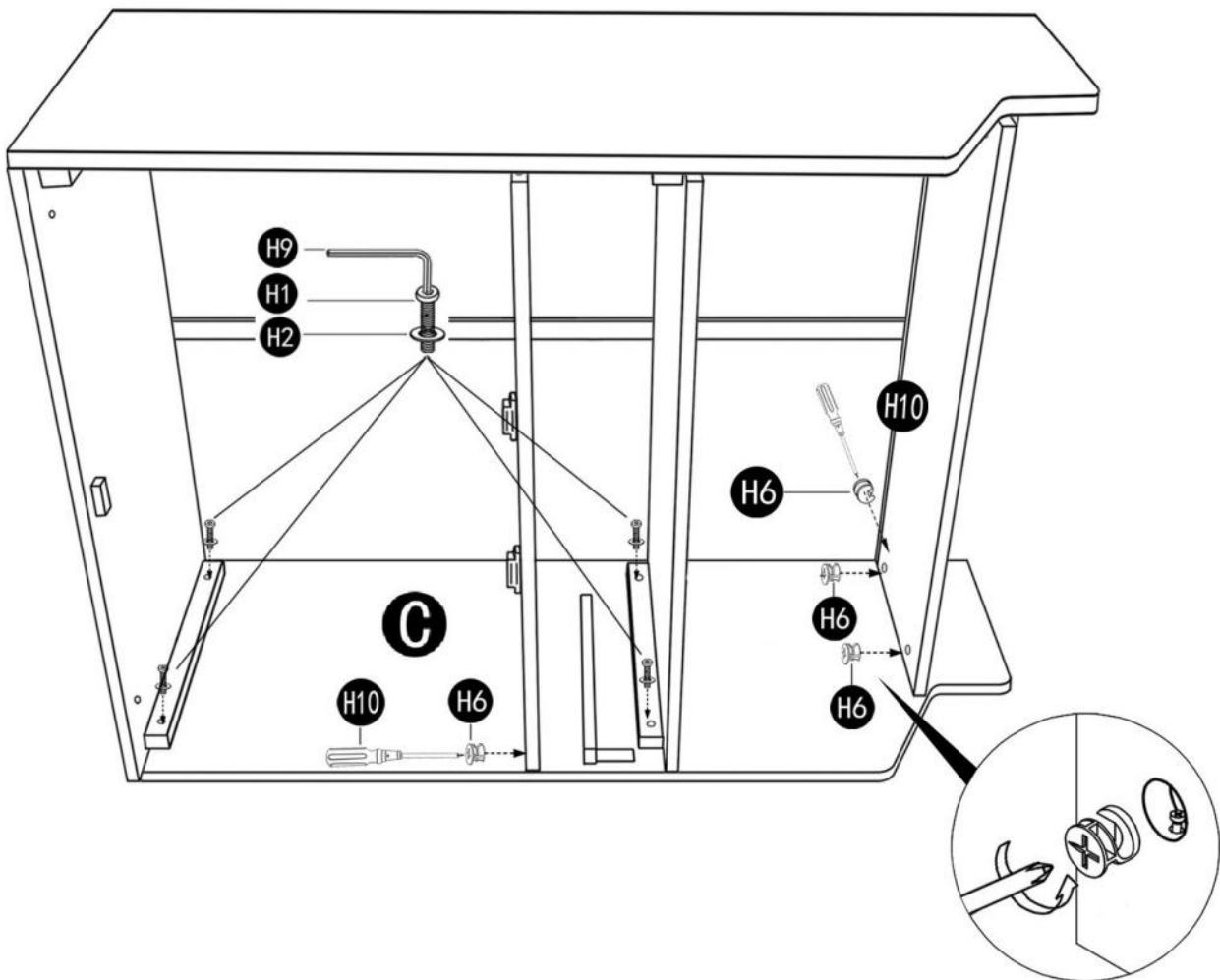
Step 6: Insert the bolt (H5) and wooden pin (H11) into the pre-drilled holes on panel (C) as shown below.



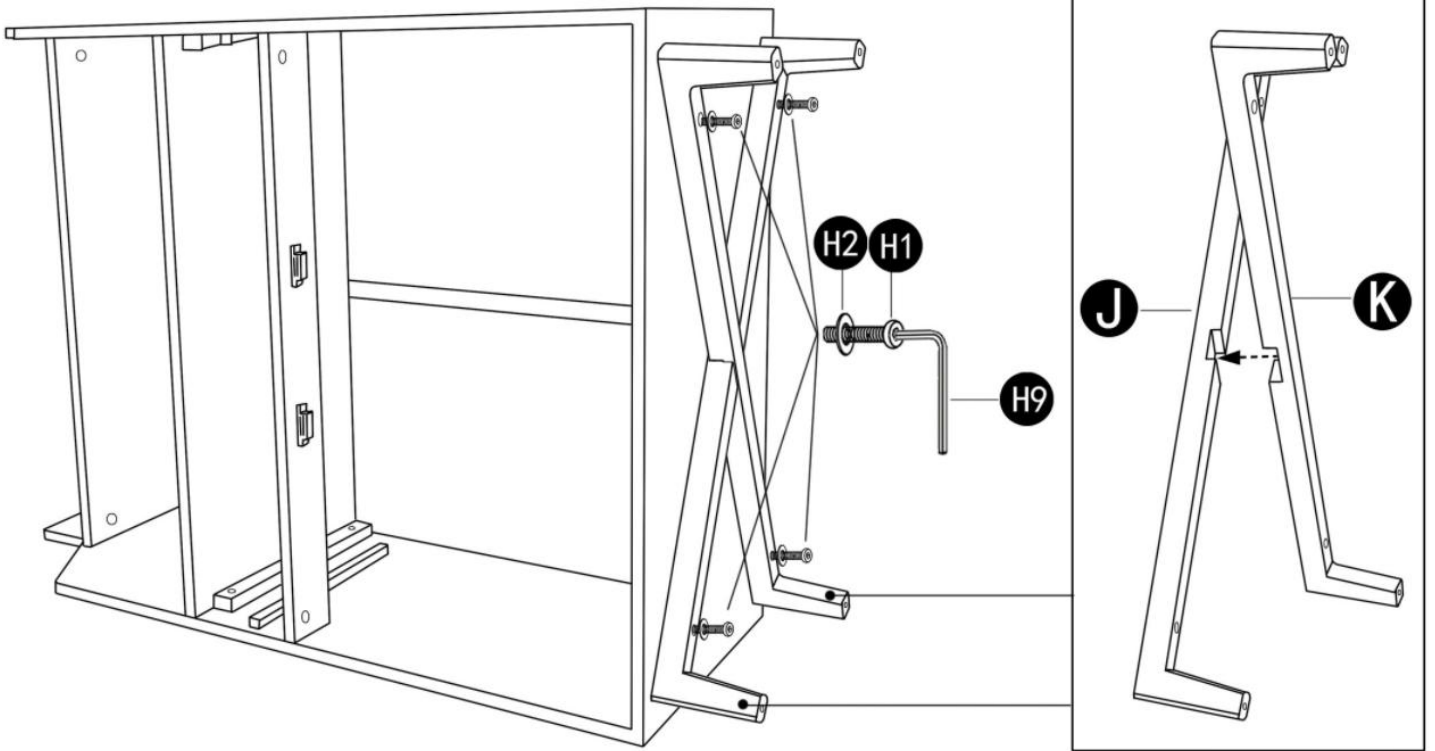
Step 7: Attach panel (C) to the main body as shown below. Secure it using four screws (H6) and four spanners (H1).
Fully tighten all bolts from Step 1 to 7.



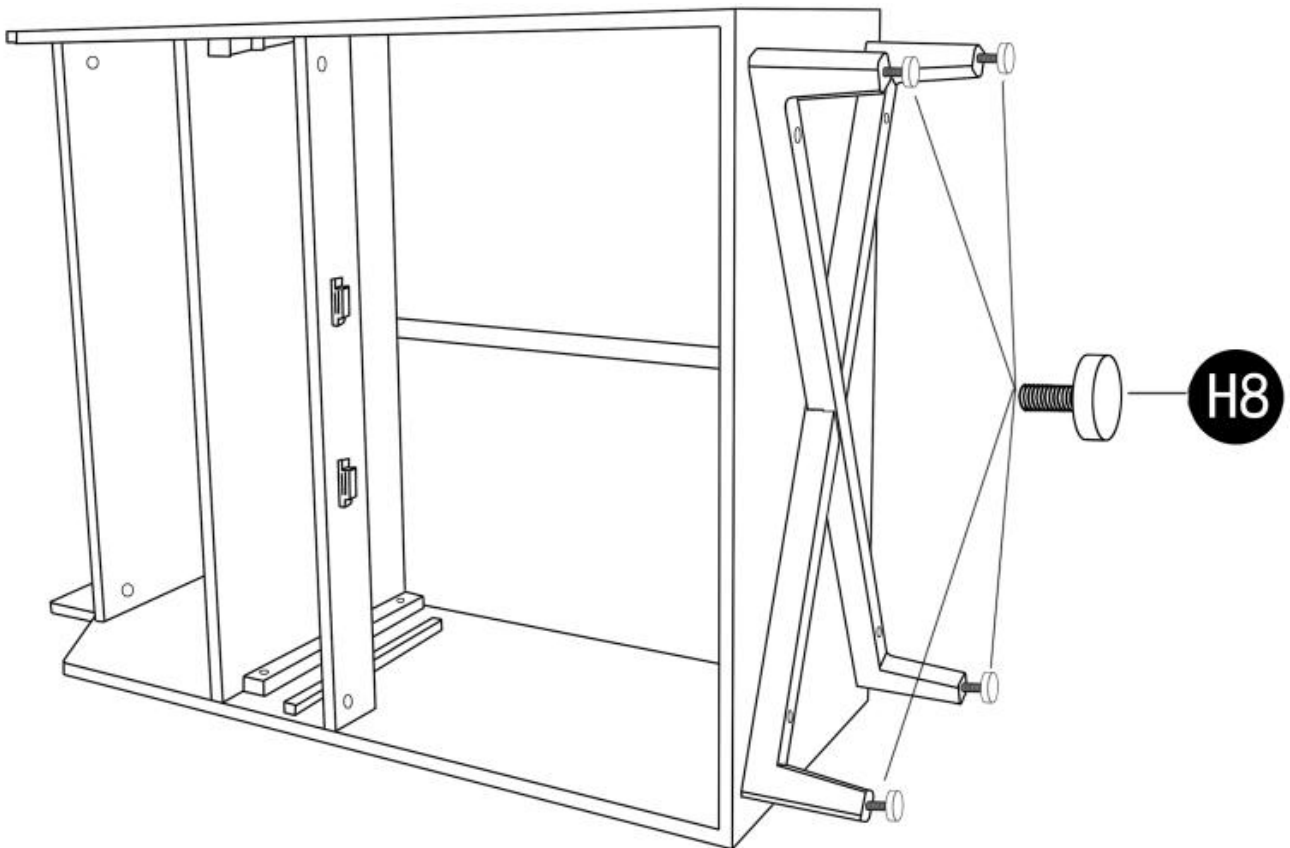
Note:
The unit is shown upside down in the illustration for better visibility.
You do **not** need to turn the unit over during actual assembly.



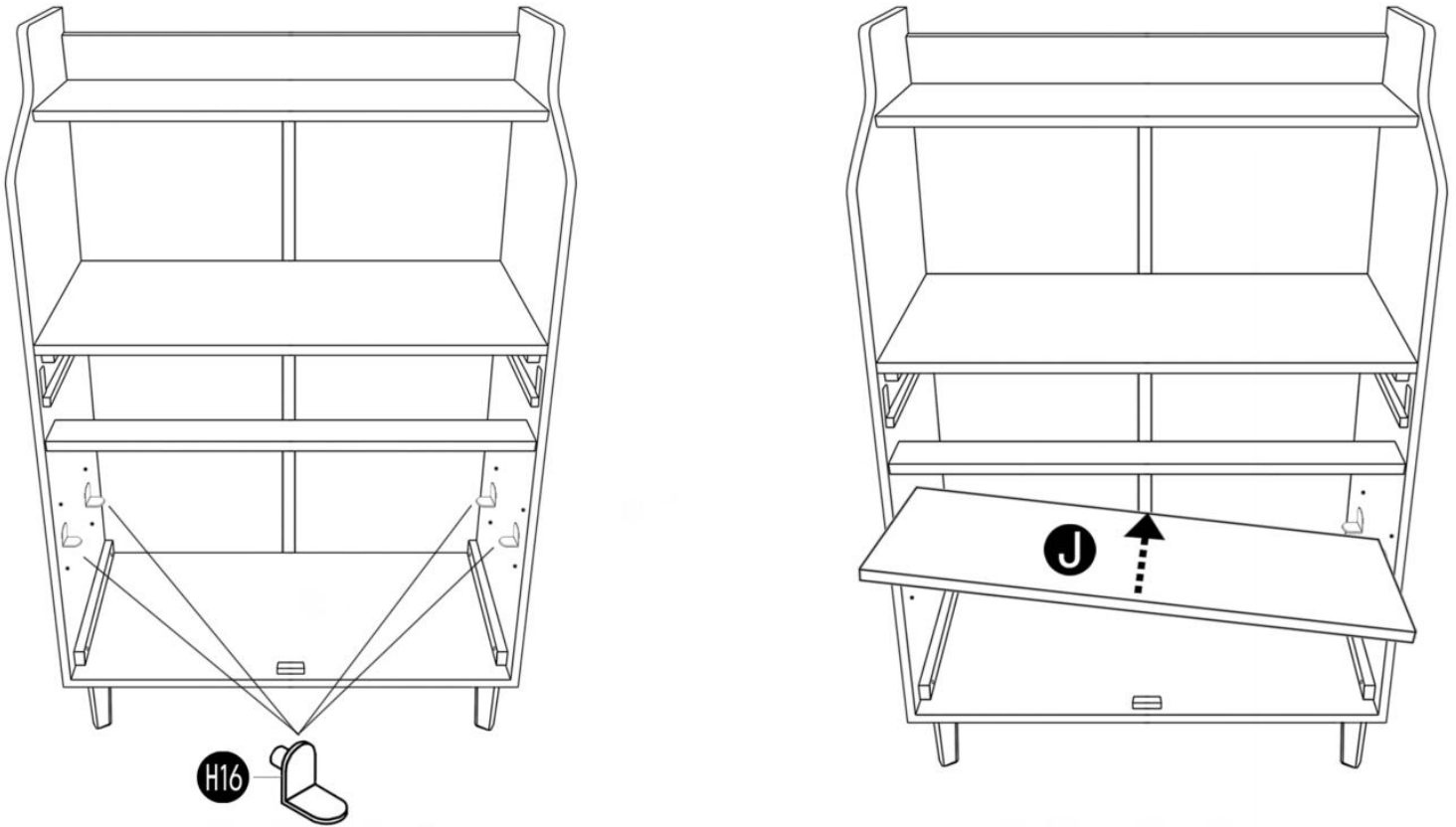
Step 8: Attach the Leg (J)& Leg (K) with Hex bolt (H1) & Washer (H2) by Allen Key (H9).



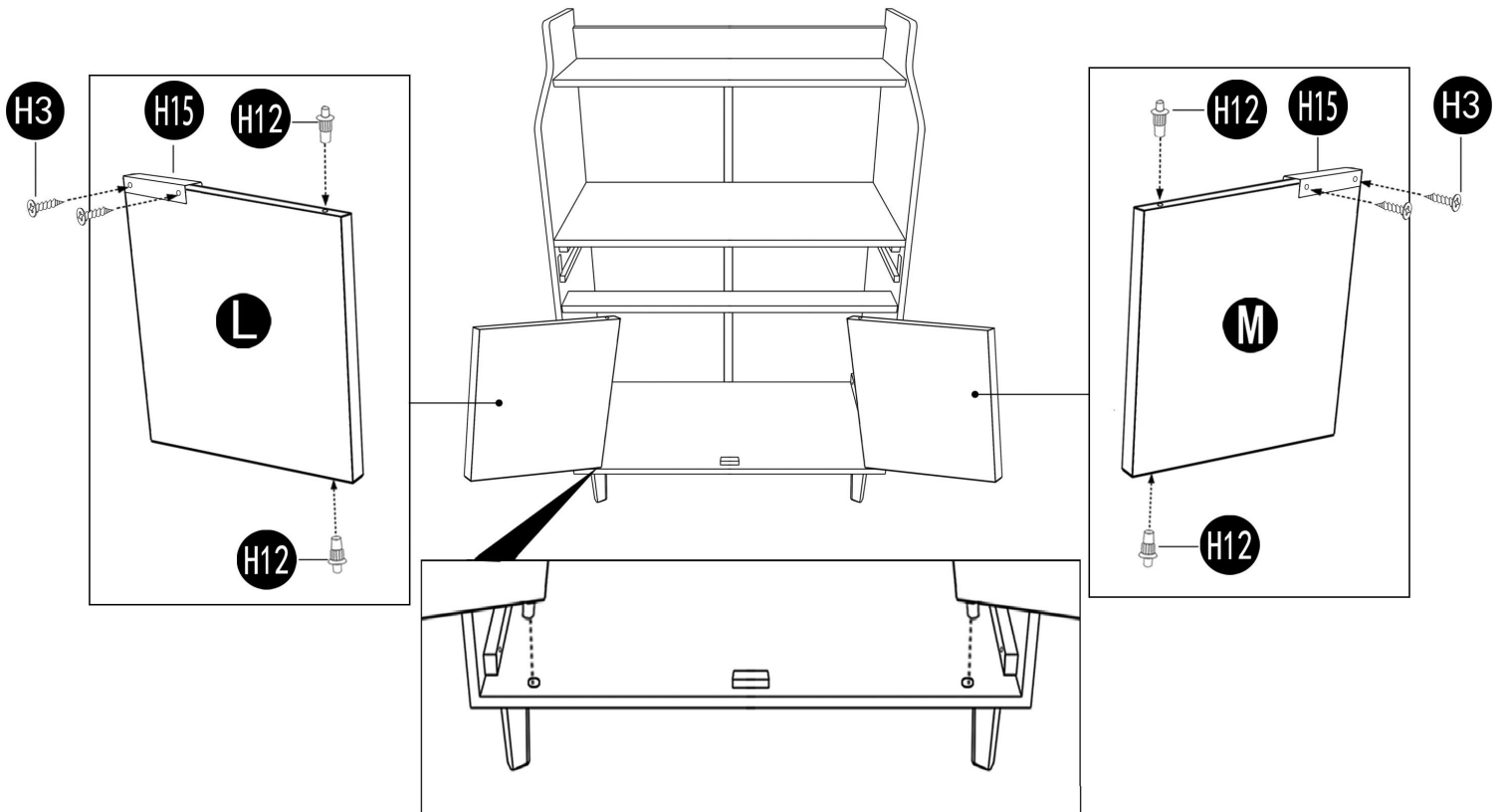
Step 9: Attach the Foot pad (H8) to all Leg as below.



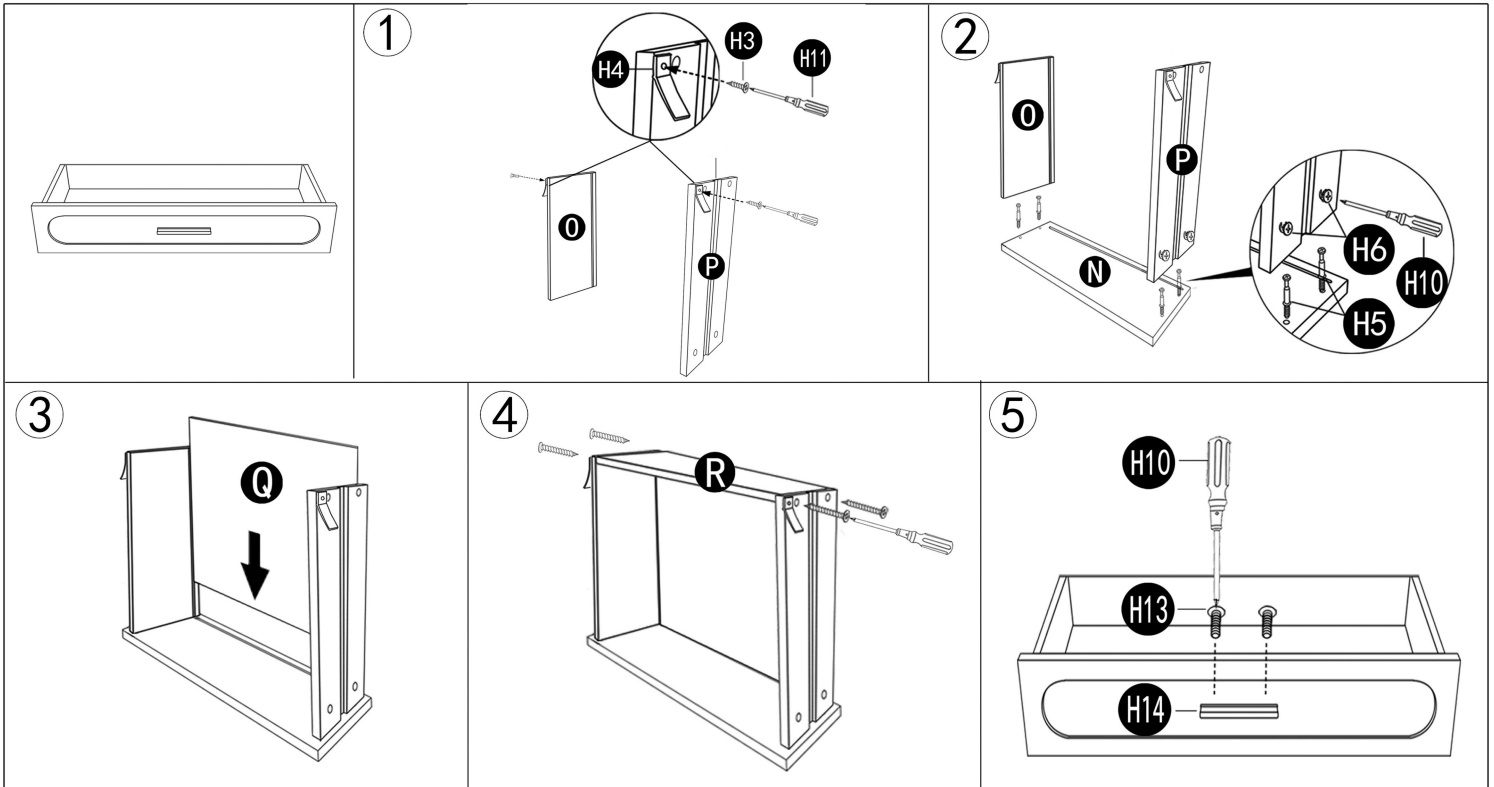
Step 10: Insert the Shelf pin (H16) into the holes on Panel (B&C). Place the shelf (J) inside.
(Each side panel with 6 adjustable holes.)



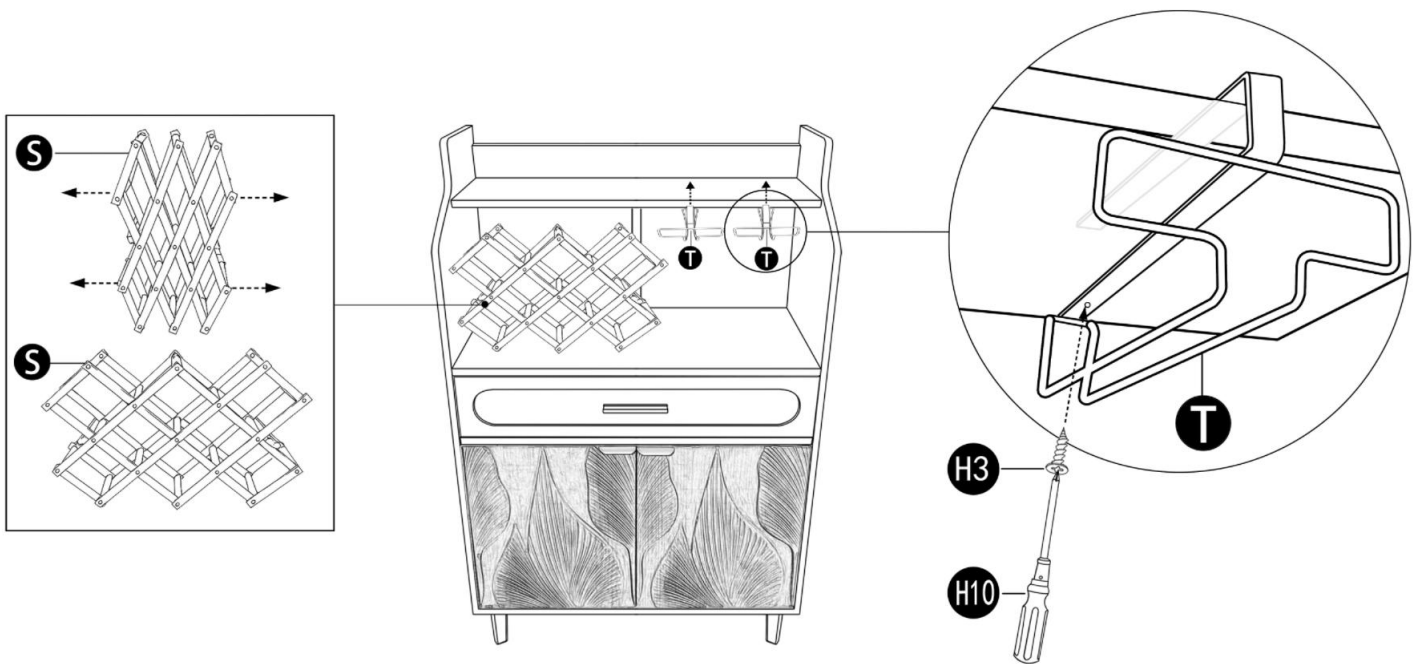
Step 11: Attach the door handle (H15) to each door using screw (H3) and tighten with the spanner (H10). Insert the bottom door pin (H12) and top door pin (H12) into the corresponding holes on the doors. Insert the bottom door pin (H12) into the hole on the cabinet first, then press down the top door pin (H12) to secure the door in place.



Step 12: Put the drawer's panel (N/O/P/Q/R) on a soft surface to protect the finish.



Step 13: Unfold wine rack (S) and insert glass holder (T) into top panel as shown below. Tighten screw (H3) with spanner (H10).



Assembly finished.

Notice:

Thanks for buying this Living Room Furniture.

If you encounter any issues during installation or use, please email us at support@mi-din.com, including your order ID and a detailed description of the problem. If possible, please provide relevant images to expedite assistance.

We will strive to resolve any issues promptly.