

## **ITEM NO.DTTL1433**

---

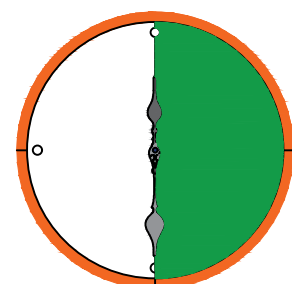
### **NOTE:**

This brochure contains **IMPORTANT** safety info. Please read and keep for future reference.

---

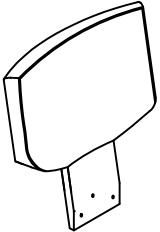
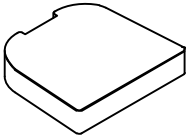


# MAINTENANCE AND WARNING

- 1.Keep furniture away from heat sources.
- 2.Do not clean furniture with harsh cleaner or polishes.Do not use detergents,solvents,abrasives,spray packs or leather cleaner. Use non-color mild soa with warm water to clean spills(Mix 1:10 soap to water).
- 3.Do not place furniture under direct sunlight,material will possibly fade over time.
- 4.Do not use on site dry cleaning machine.Children should not climb or jump on the furniture.
- 5.Do not write on furniture that is not protectedby a padded barrier.
- 6.Not for commercial use,only for residential use.



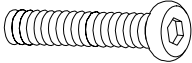


Around **30** min


# PARTS LIST

A	x1	B	x1	C	x2	D	x2
							

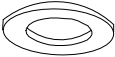

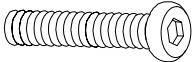
# HARDWARE LIST

#1	x11	#2	x11	#3	x11
					
Ø5/16x20mm		Ø5/16x13mm		Ø5/16x55mm	

# TOOL LIST

#4	x1
	
M4	

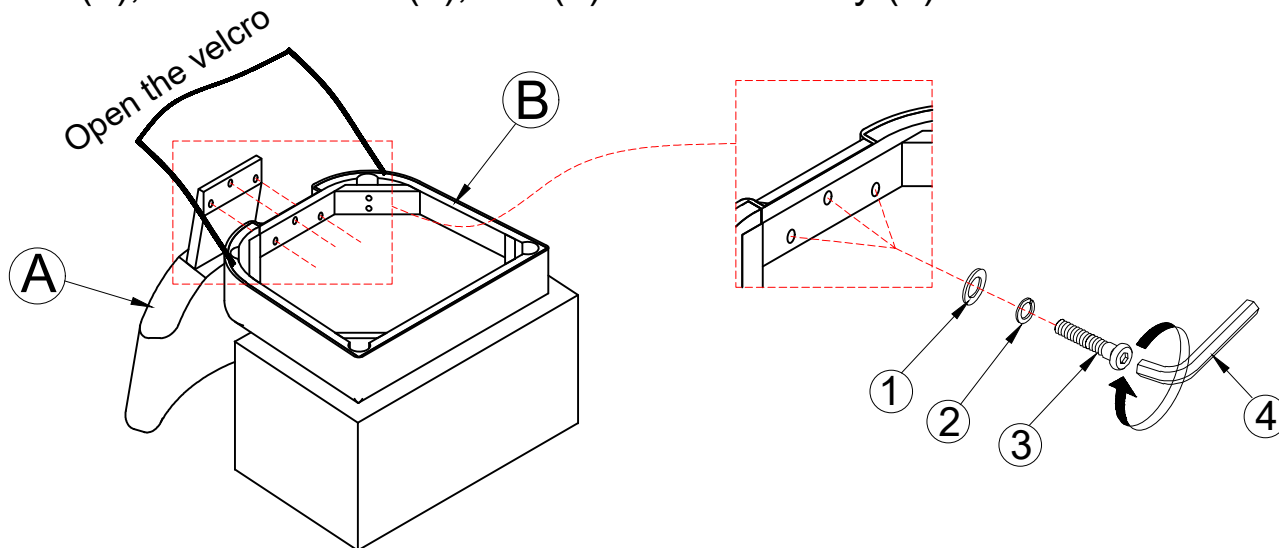
# HARDWARE SPARE LIST

#1	x1	#2	x1	#3	x1
					
Ø5/16x20mm		Ø5/16x13mm		Ø5/16x55mm	

# ASSEMBLY INSTRUCTIONS

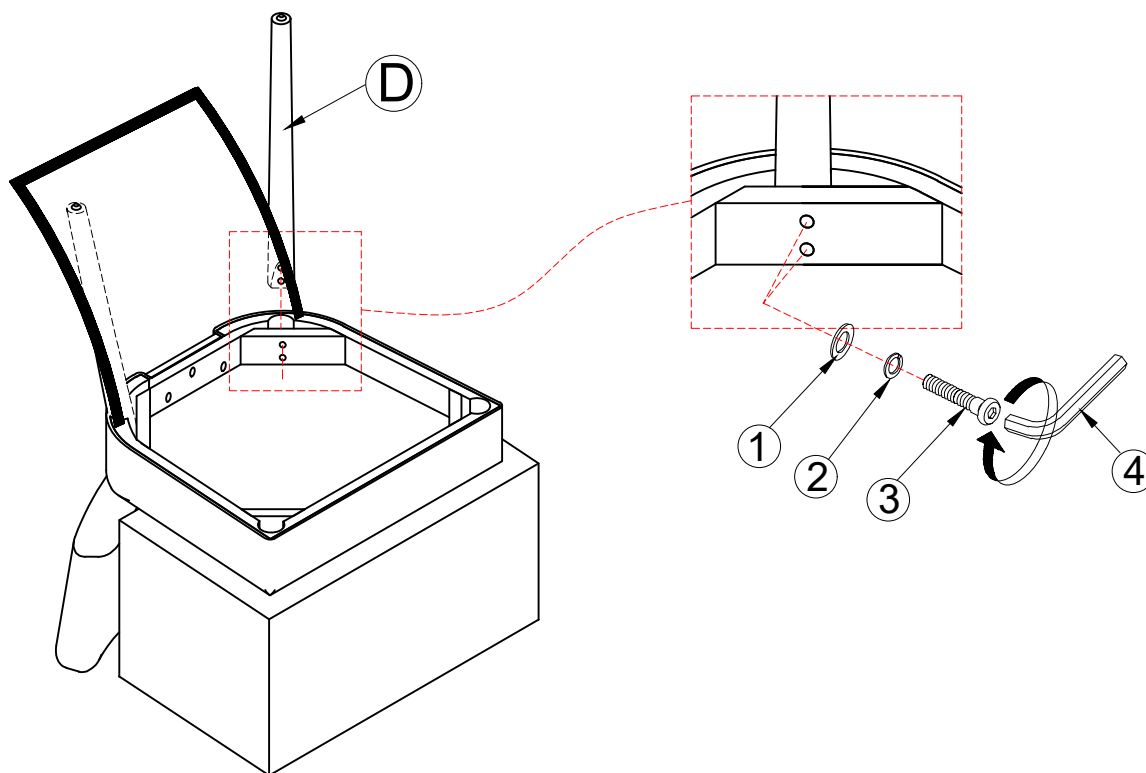
## STEP- 1



Open the velcro. Attach Back chair (A) on the Seat frame (B) by using Flat washer (1), Lock Washer (2), Bolt (3) with Allen Key (4).





## STEP- 2

Attach Back legs (D) on the Seat frame of Step 1 by using Flat washer (1), Lock Washer (2), Bolt (3) with Allen Key (4).



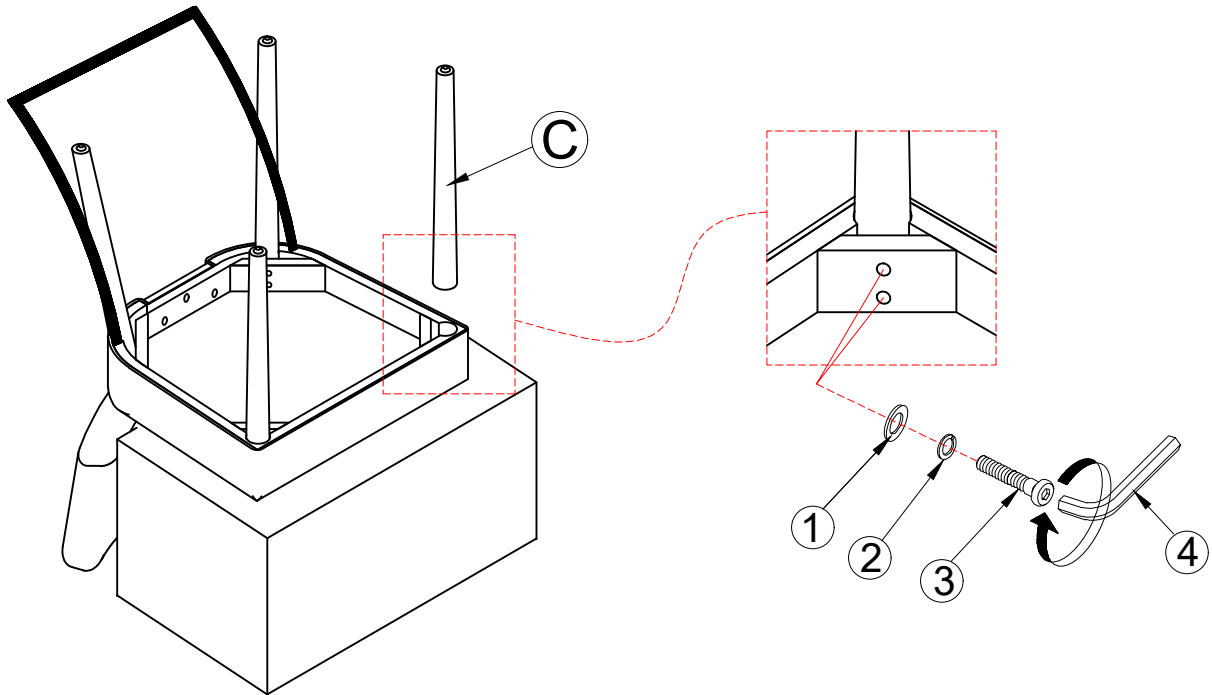
1		x7
2		x7

3		x7
4		x1

# ASSEMBLY INSTRUCTIONS

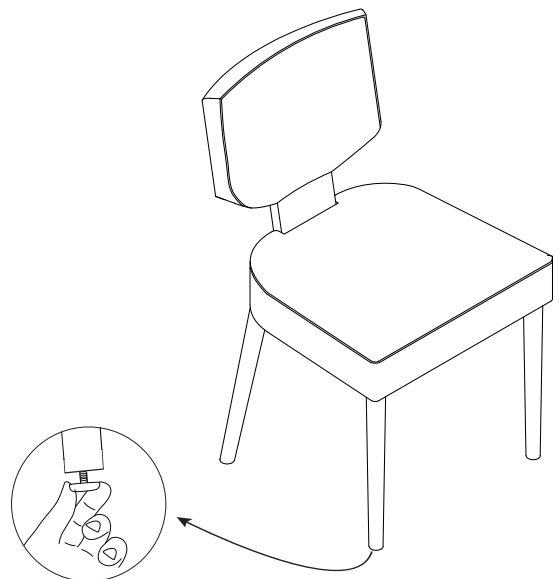
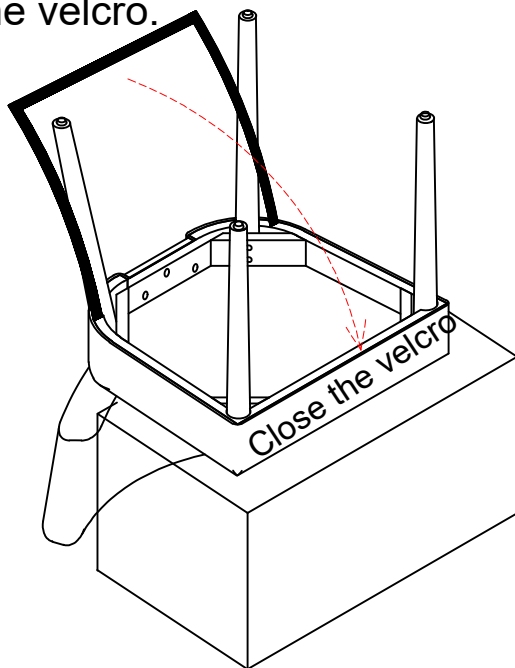
## STEP- 3

Attach Front legs (C) on the Seat frame of Step 1 by using Flat washer (1), Lock Washer (2), Bolt (3) with Allen Key (4)





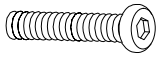

## STEP- 4

Close the velcro.



⚠ Please adjust the height of the foot nails appropriately if the chair is uneven.

1		x4
2		x4

3		x4
4		x1

⚠ After installation, please keep the table balanced, tighten all bolts.

# WARRANTY

1. We strive to offer high-quality products, and we also try our best to satisfy each and every customer that orders from us with product or service as needed.
2. We provide 30 days warranty starting from the time you receive the item. Each customer must provide a record of their order such as the order number, or item receipt for any items that are out of the warranty period you may also still receive.
3. Replacement parts by purchasing them with our company if they are available.